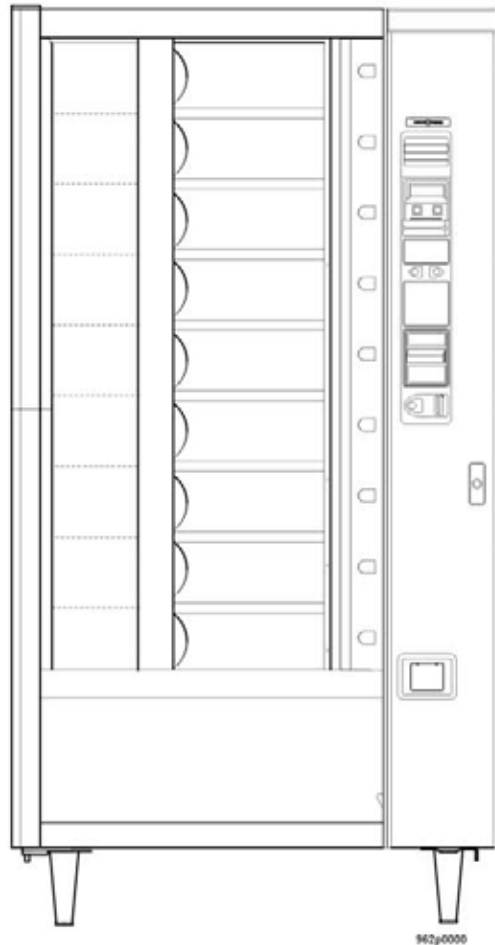


Model 962

Revolution



PARTS MANUAL

CRANE

MERCHANDISING SYSTEMS™ A Crane Co. Company

AUTOMATIC PRODUCTS

165 Bridgepoint Dr.
South Saint Paul, MN 55075
www.AutomaticProducts.com

Copyright© 10-06

9620001

This machine has been engineered to our own rigid safety and performance requirements and manufactured in accordance with the safety standards of Underwriters Laboratories (UL) and the Canadian Standards Association (CSA).

It has been designed to comply with the National Automatic Merchandising Association (NAMA) "Standard for the Sanitary Design and Construction of Food and Beverage Vending Machines".

To maintain this degree of safety and to continue to achieve the level of performance built into this machine, it is important that installation and maintenance be performed so as to not alter the original construction or wiring and that replacement parts are as specified in this

Parts Manual. Your investment in this equipment will be protected by using the **Operator's Guide** and this **Parts Manual** in your operation, service and maintenance work. By following prescribed procedures, machine performance and safety will be preserved.

CRANE MERCHANDISING SYSTEMS PARTS & SUPPORT:

PARTS: 1-800-621-7278

SERVICE: 1-800-628-8363

www.CraneMS.com

For faster service, please have your account number ready before calling.

List of Tables

A. Exterior of Door

432 Door Trim	3
Door Hinge Assemblies	5

B. Interior of Door

Door Glass and Misc. Interior Door Parts	7
Light Assembly	9
Main Controller & Access Panel Stop	11
Manual Vend Guide Assembly-Top	13
Manual vend guide assembly-middle	15
vend guide assembly-bottom (manual and auto)	17
Power vend guide assembly-top	19
Power vend guide assembly-middle	21
Door switch assembly	23
Interior Door - Miscellaneous Parts	25
Lock Bar Assembly	27
Buss bar and vend door lock	29

C. Cabinet

Leg Assemblies & Air Inlet/Outlet Screens	31
Base Plate Accessory	33

D. Turret

Turret	35
Turret - Top Parts	37
Turret - Bottom Parts	39
Motor Drive Assembly	41
Stop Pin Assembly	43

E. Refrigeration

Refrigeration Unit Assembly	45
Refrigeration Unit Components	47
Refrigeration Unit - Base and Condenser Fan	49
Evaporator Motor Assembly	51
Refrigeration Air Ducts	53

F. Monetary

Monetary Panel	55
Interior Monetary Panel	57

upper monetary - exterior	59
Exterior Monetary Panel	61
Coin Box Assembly	63
Monetary Options & Interior monetary Panel	65

G. Miscellaneous

Power Panel Assembly - Domestic (115V)	67
Power Panel Assembly - International (230V)	69
Power Panel Assembly - Rear - International (230V)	71
432 Harness List	75
Bag Assembly: 15 - B4320000 (115V)	76
Bag Assembly: 15 - B4320001 (230V)	76

INDEX

List of Parts

List of Figures

A. Exterior of Door

432 Door Trim	2
Door Hinge Assemblies	4

B. Interior of Door

Door Glass and Misc. Interior Door Parts	6
Light Assembly	8
Main Controller & Access Panel Stop	10
Manual Vend Guide Assembly-Top	12
Manual vend guide assembly-middle	14
Vend guide assembly-bottom (manual and auto)	16
Power vend guide assembly-top	18
Power vend guide assembly-middle	20
Door switch assembly	22
Interior Door - Miscellaneous Parts	24
Lock Bar Assembly	26
Buss bar and vend door lock	28

C. Cabinet

Leg Assemblies & Air Inlet/Outlet Screens	30
Base Plate Accessory	32

D. Turret

Turret	34
Turret - Top Parts	36
Turret - Bottom Parts	38
Motor Drive Assembly	40
Stop Pin Assembly	42

E. Refrigeration

Refrigeration Unit Assembly	44
Refrigeration Unit Components	46
Refrigeration Unit - Base and Condenser Fan	48
Evaporator Motor Assembly	50
Refrigeration Air Ducts	52

F. Monetary

Monetary panel	54
Interior Monetary Panel	56
Upper Monetary - exterior	58
Exterior Monetary Panel	60

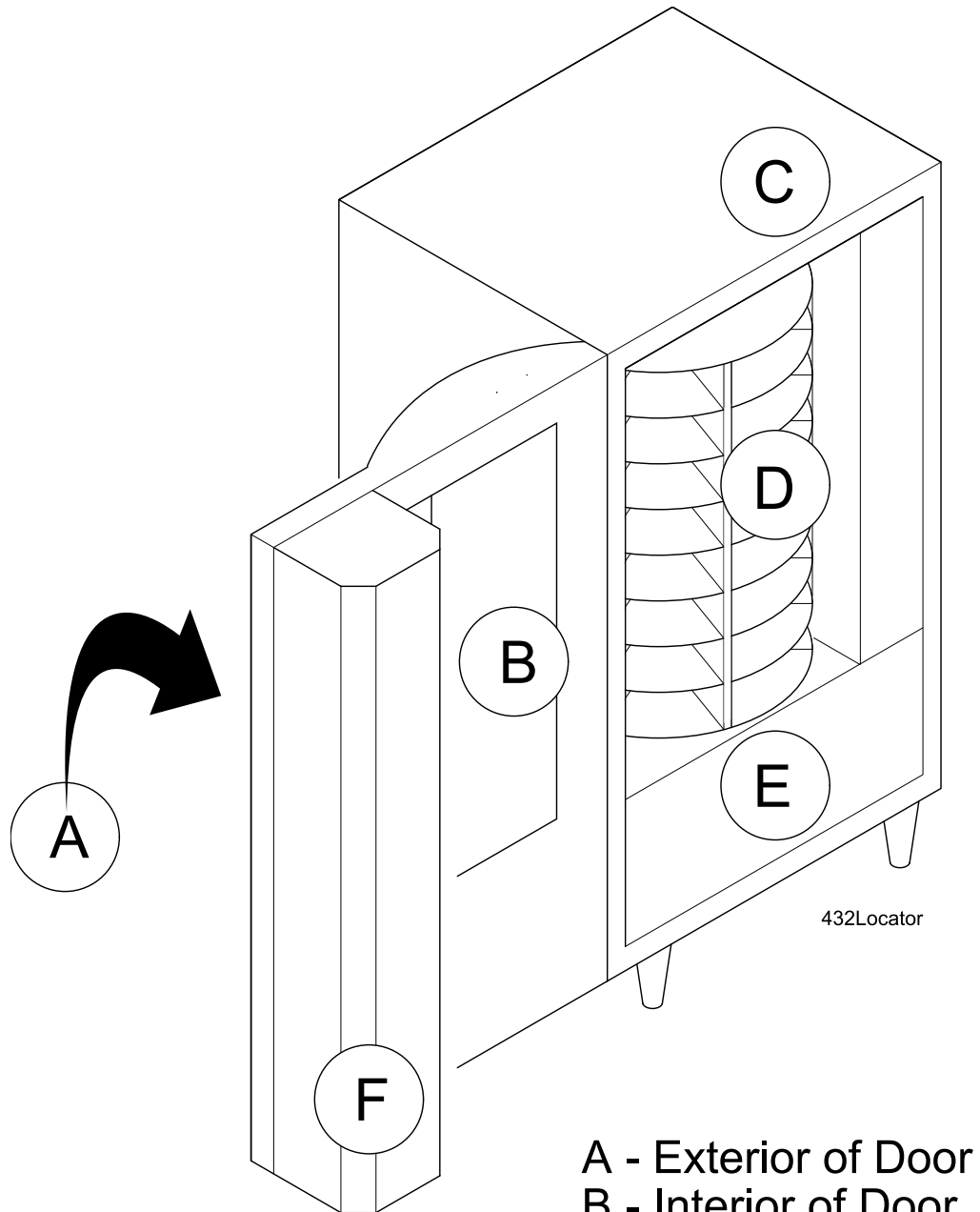
Coin box assy	62
Monetary Options & Interior monetary Panel	64

G. Miscellaneous

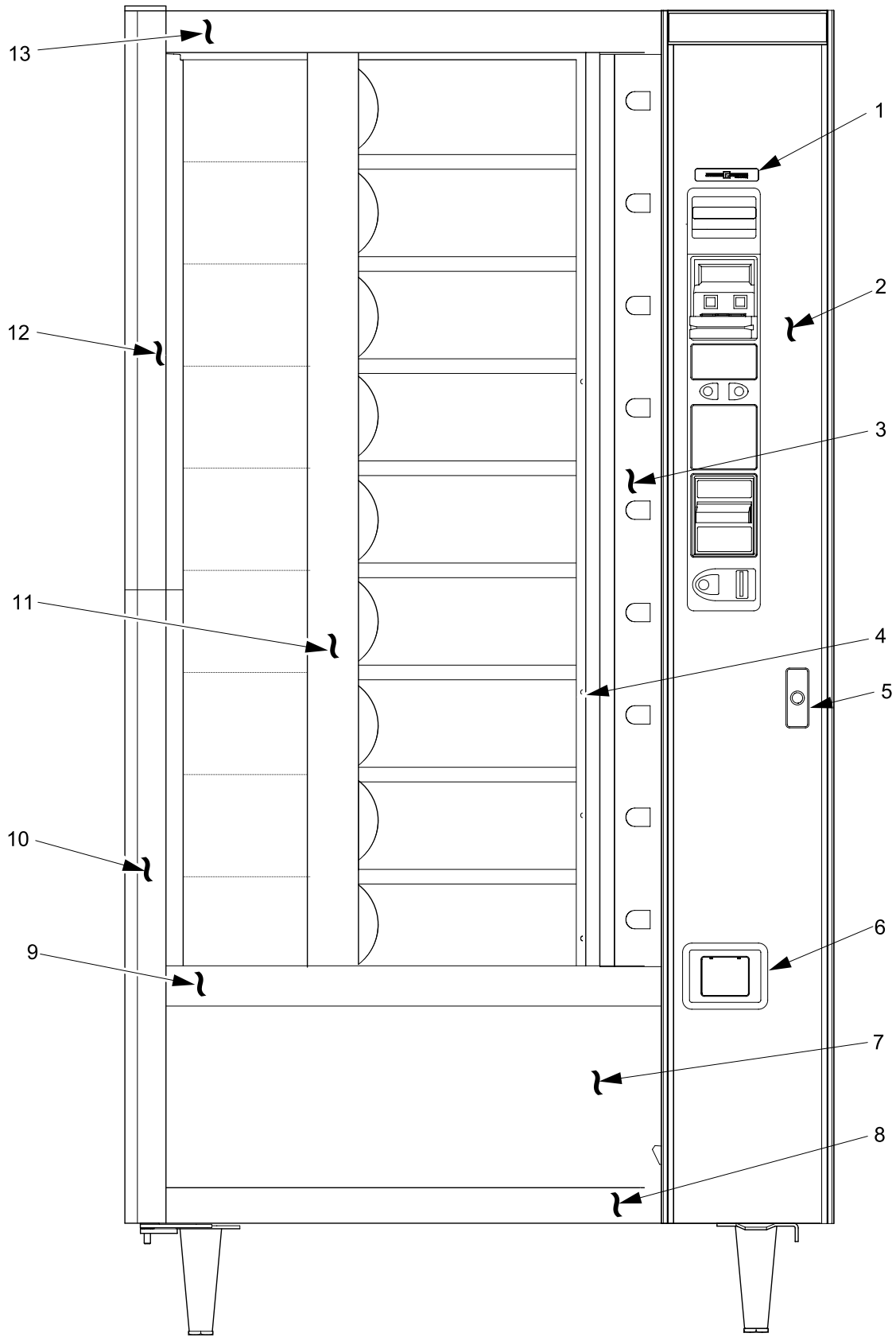
Power Panel Assembly - Domestic (115V)	66
Power Panel Assembly - International (230V)	68
Power Panel Assembly - Rear - International - (230V)	70
Shopper Wiring Diagram - Domestic - (115V)	72
Shopper Wiring Diagram - International - (230V)	73
Harness Diagram - Power Panel	74

INDEX

List of Parts



- A - Exterior of Door
- B - Interior of Door
- C - Cabinet
- D - Turret
- E - Refrigeration
- F - Monetary
- G - Miscellaneous



962p0000

FIGURE 1: 432 DOOR TRIM

TABLE 1: 432 DOOR TRIM

INDEX	PART NUMBER	DESCRIPTION	QTY
1	9422010	AP LOGO PLATE	1
2	9625001	PANEL OUTER SHELL	1
3	4325170	WELD ASSEMBLY-ACCESS PANEL	1
4	4325088	TRIM - SIDE - ACCESS PANEL - BLACK	1
5	9622002	T HANDLE LOCK	1
6	AP16600403	COIN CUP TRIM ASM BLACK ST	1
7	4322241	POP-LARGE-GRAPHICS	1
	4322285	PANEL POP-LARGE-HDPE	
8	4322070	TRIM - HORIZONTAL - LOWER S - CURVE	1
9	4322071	TRIM - HORIZONTAL - MID S - CURVE	1
10	4322087	TRIM - LEFT VERTICAL - LOWER	1
11	4322315	VW/A-DOOR FRAME	1
12	4322067	TRIM - LEFT VERTICAL - UPPER	1
13	4322074	TRIM - HORIZONTAL - UPPER - CURVE	1

TABLE 1A: TRIM HARDWARE

TRIM	DESCRIPTION	RETAINER	SCREW
4322074	TRIM - HORIZONTAL - UPPER - CURVE	4552371(2)	1451097(4)
4322067	TRIM - LEFT VERTICAL - UPPER	4552371(5)	--
4322087	TRIM - LEFT VERTICAL - LOWER	4552371(5)	474717 1(1)
4322071	TRIM - HORIZONTAL - MID S - CURVE	4552371(4)	4747171(4)
4322070	TRIM - HORIZONTAL - LOWER S - CURVE	--	4747171(3)
4325037	PANEL - TRIM - TOP ACCESS	--	4747171(6)
4325038	PANEL - TRIM - BOTTOM - ACCESS	--	4747171(6)
4322114	TRIM - POST - CENTER - BLACK	--	4312215 (4)

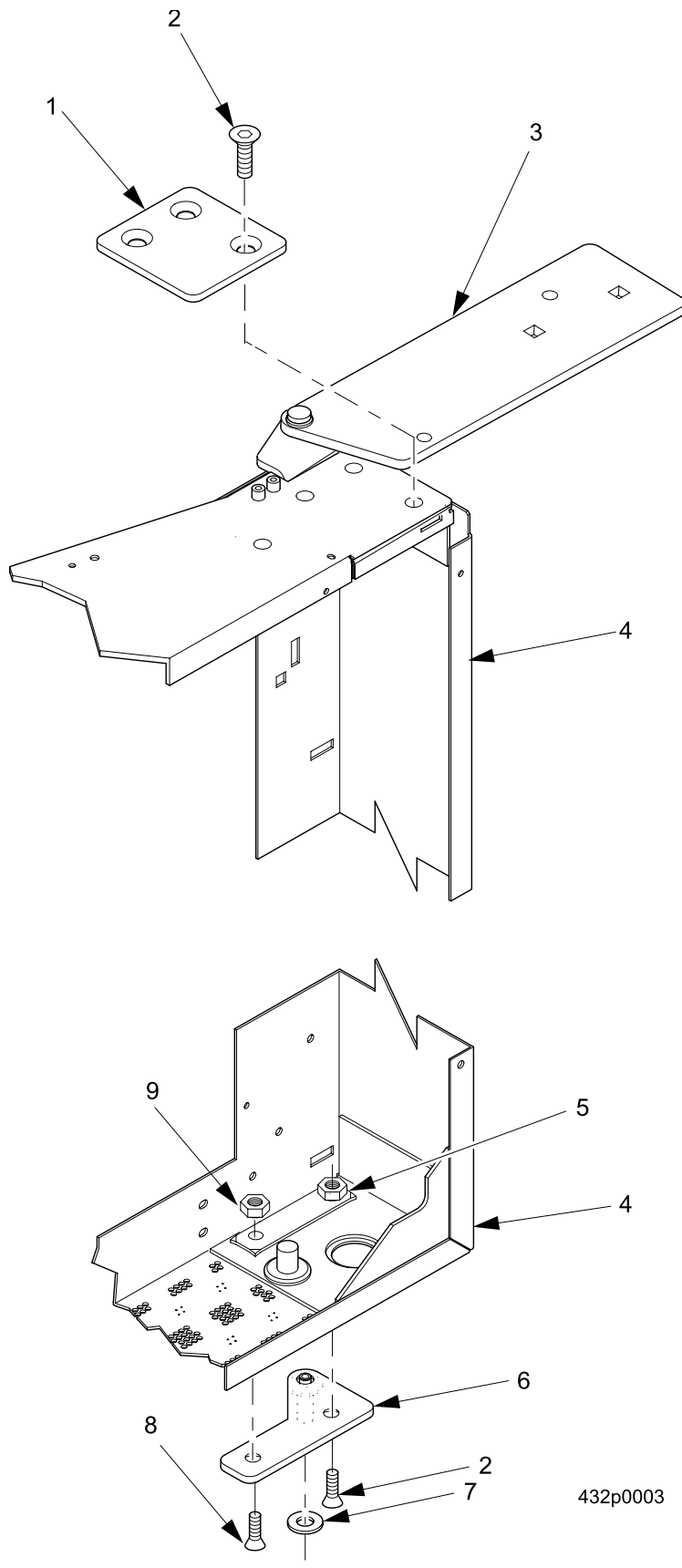
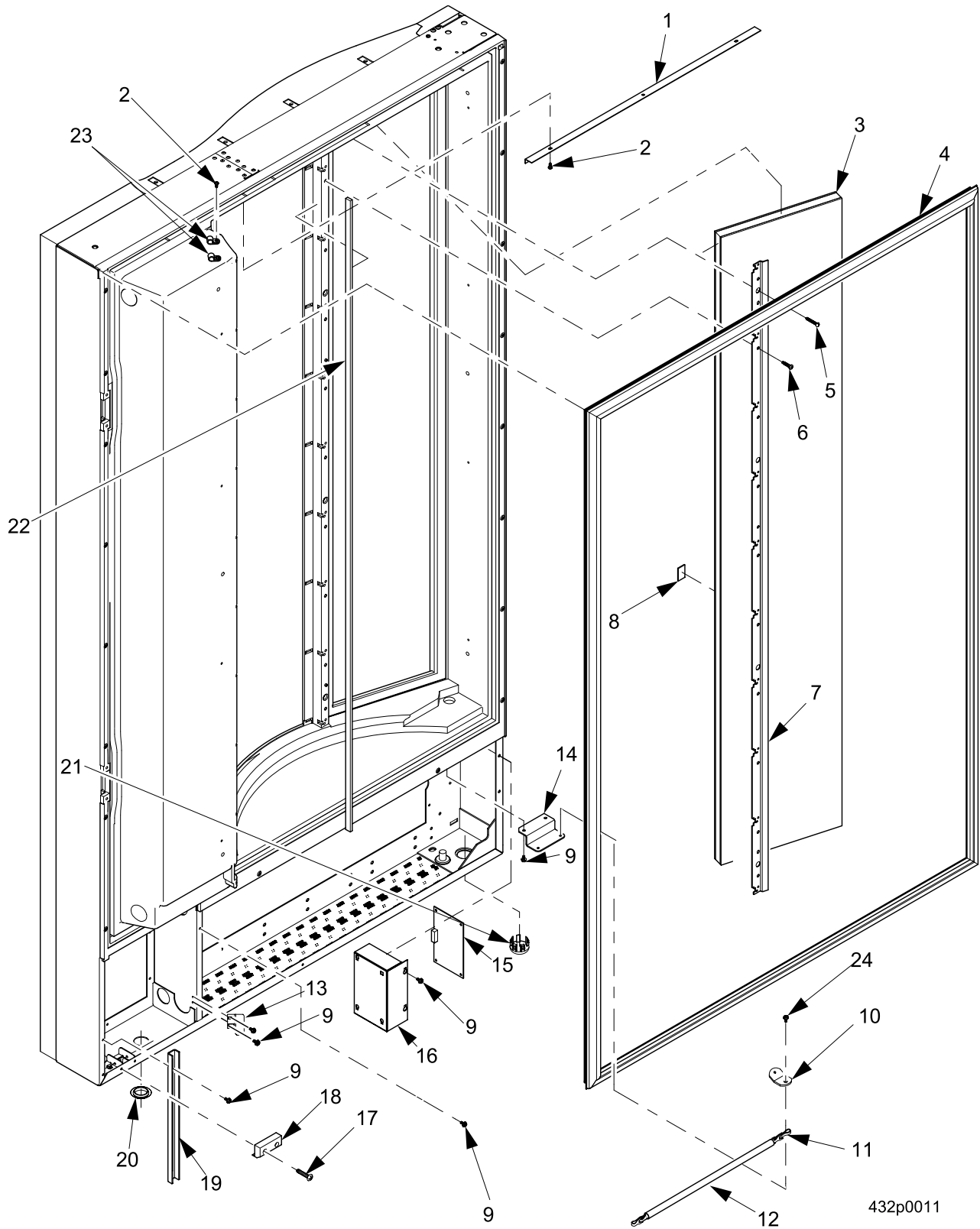


FIGURE 2: DOOR HINGE ASSEMBLIES

TABLE 2: DOOR HINGE ASSEMBLIES

INDEX	PART NUMBER	DESCRIPTION	QTY
1	4322010	PLATE - CLAMP - HINGE - TOP	1
2	6232036	SCREW - 5/16 - 18X.75 FLAT HEAD SOCKET	5
3	4322007	HINGE ASSEMBLY - DOOR - TOP	1
4	4322276	WELD ASSEMBLY - DOOR FRAME - N.V. BLACK.	1
5	6232028	PLATE ASSEMBLY - HINGE MOUNTING	1
6	4322005	HINGE & PIN ASSEMBLY - DOOR BOTTOM	1
7	4242145	BEARING-THRUST LOWER HINGE	1
8	6232208	WELD SCREW-#1/4-20 X 1"LG	1
9	1172021	NUT-1/4-20 WHIZ-LOCK	1

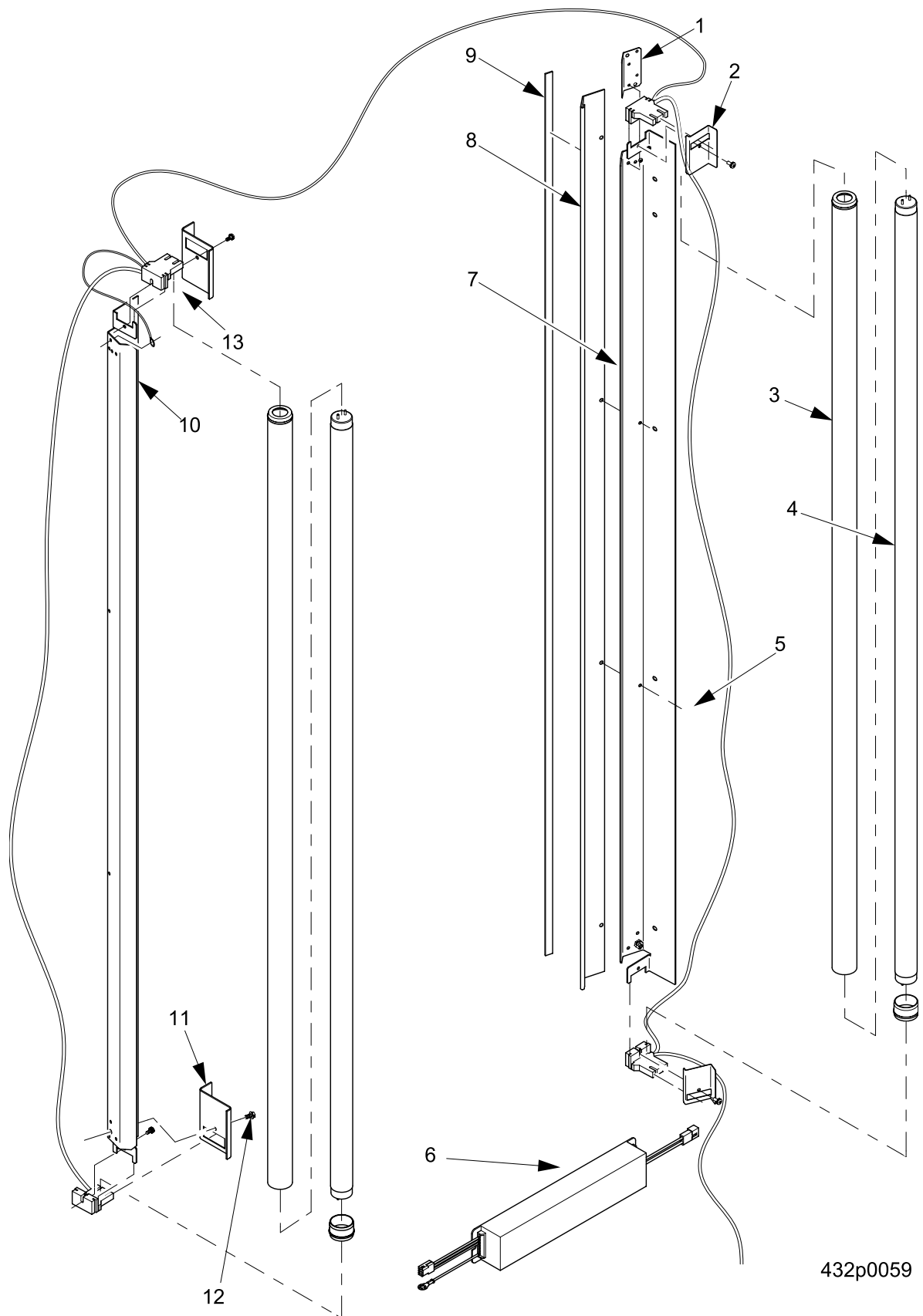


432p0011

FIGURE 3: DOOR GLASS AND MISC. INTERIOR DOOR PARTS

TABLE 3: DOOR GLASS AND MISC. INTERIOR DOOR PARTS

INDEX	PART NUMBER	DESCRIPTION	QTY
--	4322081	FOAMED DOOR ASSEMBLY - BLACK/B DELETE	--
1	4322059	RETAINER - HARNESS	1
2	4747171	SCREW - #6-19 X .38 PHIL.PHS	50
3	4322003	GLASS ASSEMBLY - INSULATED - 24 VAC	1
4	4322002	GASKET - DOOR - BLACK	1
5	4312215	SCREW - #8-18 X 1 1/4 RHP TAPP	4
6	1572242	SCREW - #8-18 X.75 PLASTITE HH	60
7	4322137	REINF. - POST - CENTER - BLACK	1
8	4552020	TAPE-VHB-62 MIL X .6 WIDE	120"
9	1451097	SCREW - #8-32X.31 HEX HD.TF-BL	38
10	4301285	BRACKET - DOOR CHAIN	1
11	4552122	CHAIN - SASH - 13.8 LONG	1
12	4552121	COVER - CHAIN	1
13	4321233	PLATE-STRIKE-PWR. PNL.	1
14	4322152	BRACKET - CHAIN - DOOR	1
15	4326020	PCB ASSEMBLY - SHOPPER INTERFACE	1
16	4322281	COVER - ELECTRIC - I/O BOARD	1
17	4312213	SCREW - #8-18 X 1 1/4 RHP TAPPING	2
18	4322266	GLIDE - DOOR	1
19	4321063	CHANNEL - SUPPORT - DOOR	1
20	6231034	PLUG - HOLE	1
21	4311096	PLUG - FOAMING HOLE	1
22	4322091	TAPE - SPONGE - .42 X .19	1
23	4322284	COVER WIRE GUIDE	2
24	4741050	SCREW-#8-32 X .50 HX.HD.-T/F-B	4

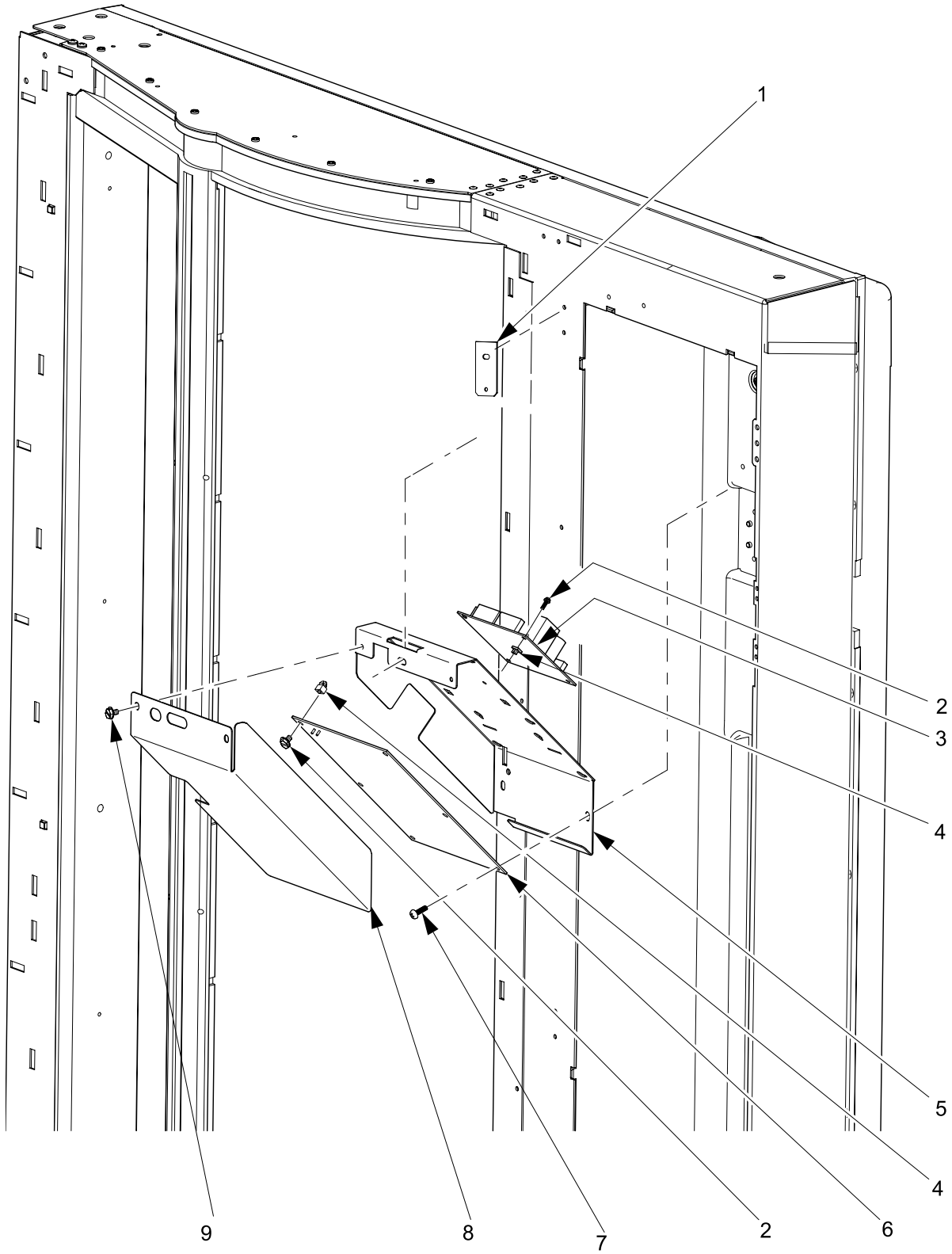


432p0059

FIGURE 4: LIGHT ASSEMBLY

TABLE 4: LIGHT ASSEMBLY

INDEX	PART NUMBER	DESCRIPTION	QTY
--	4322245	LAMP ASSEMBLY - FLUORESCENT - DOOR - BLACK - (115V)	--
	4322172	LAMP ASSEMBLY - FLUORESCENT - DOOR - BLACK - (230V)	
1	4322263	SHIELD-UPPER, WIRING, LAMP	1
2	4322262	COVER-UPPER, WIRING, LAMP	2
3	4322066	SAFETY LAMP SLEEVE W/END CAPS	2
4	4322065	LAMP - FLUORESCENT - 32 WATT - (115V)	2
	4322169	LAMP - FLUORESCENT - 36 WATT - (230V)	
5	1452139	RETAINER-HARNESS	4
6	4329021	BALLAST - ASSEMBLY - ELECTRONIC - (115V)	1
	4329017	BALLAST - MAGNETIC - (230V)	1
7	4322264	ASSY-BRACKET, LAMP	1
8	4322258	PANEL-TRIM-LAMP-BLACK	1
9	4727069	GASKET-.19X.38	50.37
10	4322264	ASSY-BRACKET, LAMP	1
11	4322261	COVER-LOWER, WIRING, LAMP	2
12	9900107	SCREW-#6-32 X 5/16-RHS-W/LKW	4
13	4329049	HARNESS - LAMP TO BALLAST - (115V)	1
	4329050	HARNESS - LAMP TO BALLAST - (230V)	



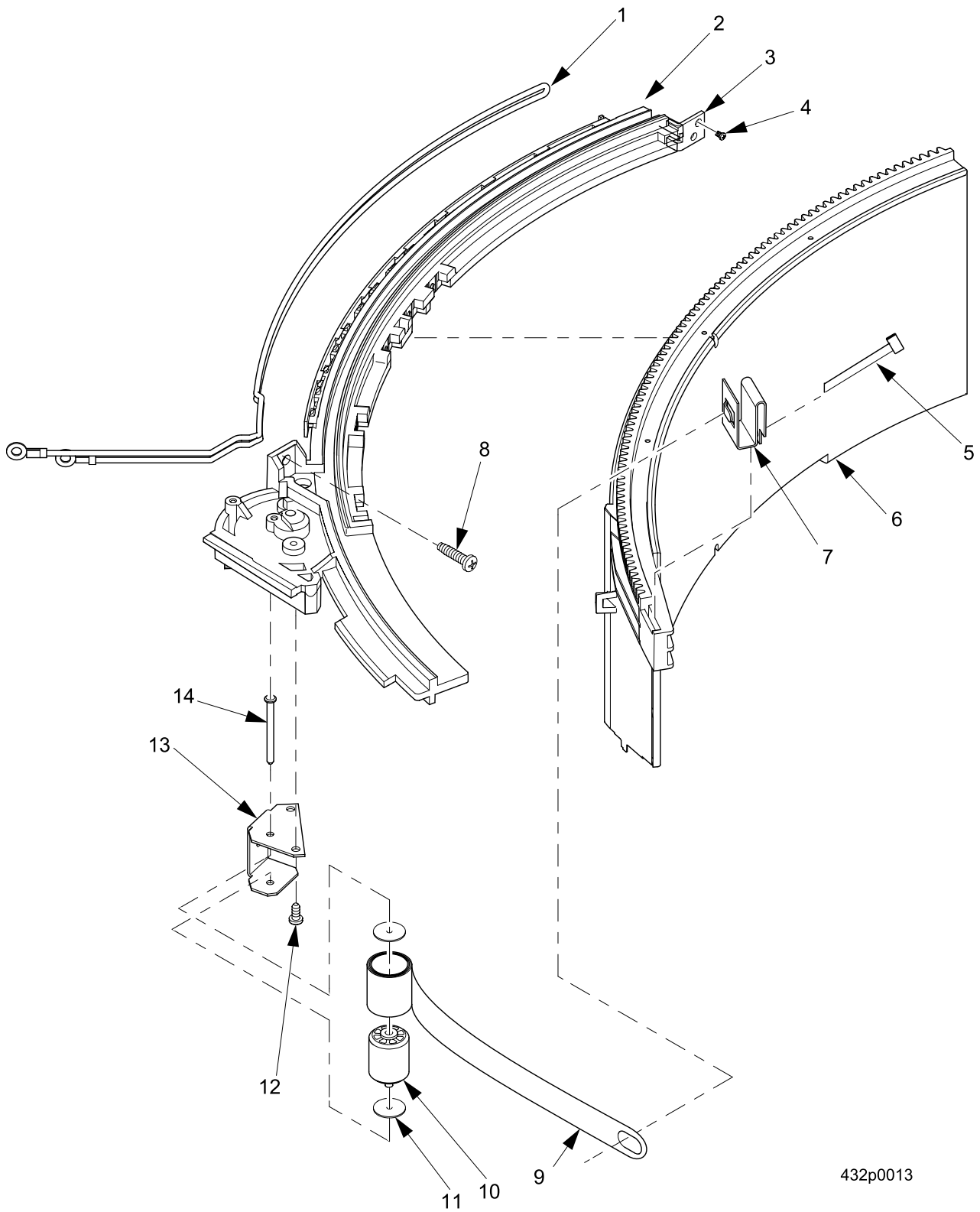
432p0041

FIGURE 5: MAIN CONTROLLER & ACCESS PANEL STOP

TABLE 5: MAIN CONTROLLER & ACCESS PANEL STOP

INDEX	PART NUMBER	DESCRIPTION	QTY
1	4325180	PLATE-CONTROLLER BOARD MOUNT	1
2	1471199	SCREW-#8-18 X .62 HEX/WH.	2
3	4326016	PCB ASSY SOLENOID W/O MOTOR	1
	4326015	PCB ASSY SOLENOID W/ MOTOR	
4	4241165	SPACER-LINER-.375LG X.500 DIA	2
5	4325179	HOUSING - MAIN CONTROLLER BOARD	1
6	see below	MAIN CONTROLLER PC w/eprom	1
7	4277042	SCREW-#8-10 X.5 T/F-PHS	2
8	4325178	COVER MAIN CONTROLLER-BOARD	1
9	1451097	SCREW - #8-32X.31 HEX HD.TF-BL	2

9989859 Main Controller P4326044 Eprom

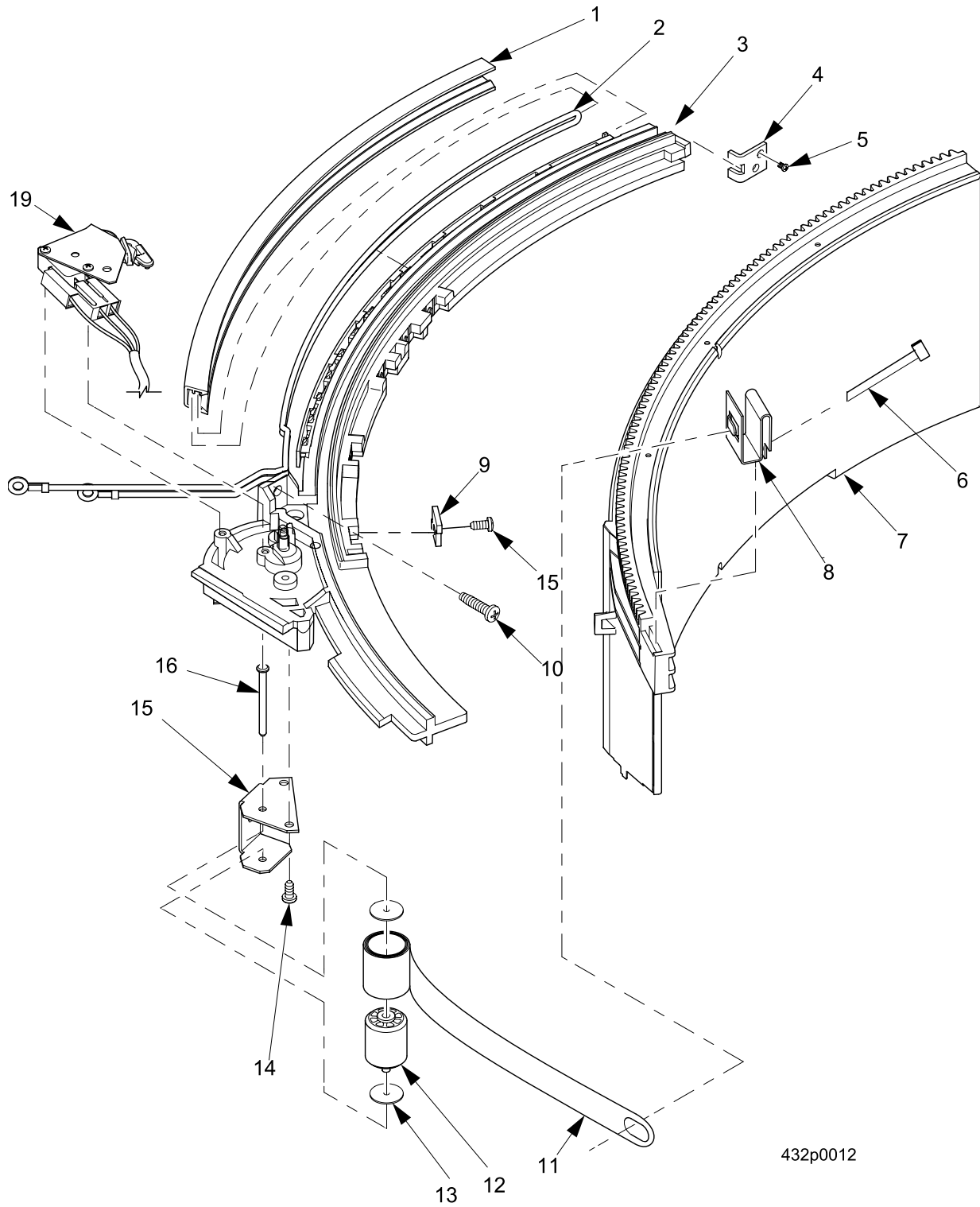


432p0013

FIGURE 6: MANUAL VEND GUIDE ASSEMBLY-TOP

TABLE 6: MANUAL VEND GUIDE ASSEMBLY-TOP

INDEX	PART NUMBER	DESCRIPTION	QTY
--	4322160	GUIDE ASSEMBLY - VEND - TOP - MANUAL	1
--	4322158	GUIDE & HEATER ASSEMBLY - VEND (ITEMS 1-2)	1
1	4326000	WIRE & TERMINAL ASSEMBLY - HEATER DOOR - 24 VAC	1
2	4322051	GUIDE - DOOR - VEND	1
3	4322136	RETAINER - GUIDE	1
4	1472132	SCREW - #6-32 X .25 PHS T/C	2
5	4042121	WIRE TIE-#PLT1M-M20	1
6	4322133	WELD ASSEMBLY - VEND DOOR	1
7	4322138	HOLDER - SPRING - RETURN - MANUAL	1
8	1572242	SCREW - #8-18 X.75 PLASTITE HHS	2
--		SPRING & ROLLER ASSEMBLY-DOOR-RET (ITEMS 9-11,13-15)	
9	4322235	SPRING - DOOR	1
10	4321232	ROLLER - SUPPORT - DOOR	1
11	4363031	WASHER - VEND DOOR SPRING ASSEMBLY	2
12	4321168	SCREW - #6-19 X .31 PHIL.PHS.T/C	2
13	4322196	BRACKET - ROLLER - SPRING RETURN	1
14	4322198	PIN - ROLLER	1



432p0012

FIGURE 7: MANUAL VEND GUIDE ASSEMBLY-MIDDLE

TABLE 7: MANUAL VEND GUIDE ASSEMBLY-MIDDLE

INDEX	PART NUMBER	DESCRIPTION	QTY
--	4322162	GUIDE ASSEMBLY - VEND - MID - MANUAL	8
1	4322100	COVER - GUIDE - VEND	1
--	4322158	GUIDE & HEATER ASSEMBLY - VEND (ITEMS 2-3)	--
2	4326000	WIRE & TERMINAL ASSEMBLY - HEATER DOOR - 24VAC	1
3	4322051	GUIDE - DOOR - VEND	1
4	4322136	RETAINER - GUIDE	1
5	1472132	SCREW - #6-32 X .25 PHS T/C	2
6	4042121	WIRE TIE-#PLT1M-M20	1
7	4322133	WELD ASSEMBLY - VEND DOOR	1
8	4322138	HOLDER - SPRING - RETURN - MANUAL	1
9	4322286	STOP - VEND - DOOR	1
10	1572242	SCREW - #8-18 X.75 PLASTITE HHS	2
--	4322197	SPRING & ROLLER ASSEMBLY - DOOR - RETURN (ITEMS 12-14, 16-18)	--
11	4322235	SPRING - DOOR	1
12	4321232	ROLLER - SUPPORT - DOOR	1
13	4363031	WASHER - VEND DOOR SPRING ASSEMBLY	2
14	4321168	SCREW - #6-19 X .31 PHIL.PHS.T/C	2
15	4322196	BRACKET - ROLLER - SPRING RETURN	1
16	4322198	PIN - ROLLER	1
17	--	SEE FIGURE 12 DOOR SWITCH ASSEMBLY	1

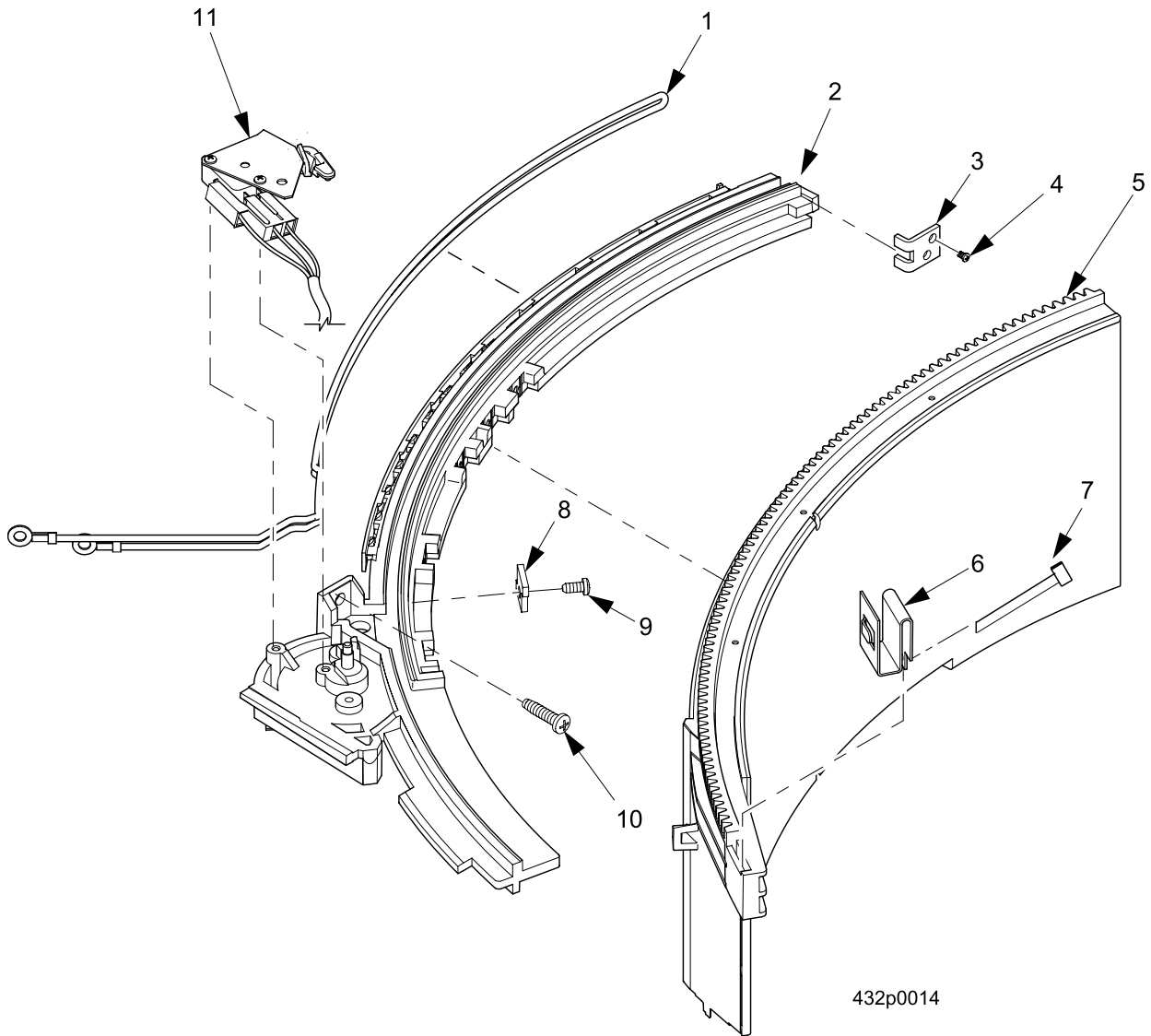


FIGURE 8: VEND GUIDE ASSEMBLY-BOTTOM (MANUAL AND AUTO)

TABLE 8: VEND GUIDE ASSEMBLY-BOTTOM (MANUAL AND AUTO)

INDEX	PART NUMBER	DESCRIPTION	QTY
--	4322164	GUIDE ASSEMBLY - VEND - BOTTOM	--
--	4322158	GUIDE & HEATER ASSEMBLY - VEND (ITEMS 1-2)	1
1	4326000	WIRE & TERMINAL ASSEMBLY - HEATER DR - 24 VAC	1
2	4322051	GUIDE - DOOR - VEND	1
3	4322136	RETAINER - GUIDE	1
4	1472132	SCREW - #6-32 X .25 PHS T/C	2
5	4322133	WELD ASSEMBLY - VEND DOOR	1
6	4322138	HOLDER - SPRING - RETURN - MANUAL (MANUAL DOOR ONLY)	1
7	4042121	WIRE TIE-#PLT1M-M20	1
8	4322286	STOP - VEND - DOOR	1
9	4321168	SCREW - #6-19 X .31 PHIL.PHS.T/C	1
10	1572242	SCREW - #8-18 X.75 PLASTITE HHS	2
11	--	SEE FIGURE 12 DOOR SWITCH ASSEMBLY	1

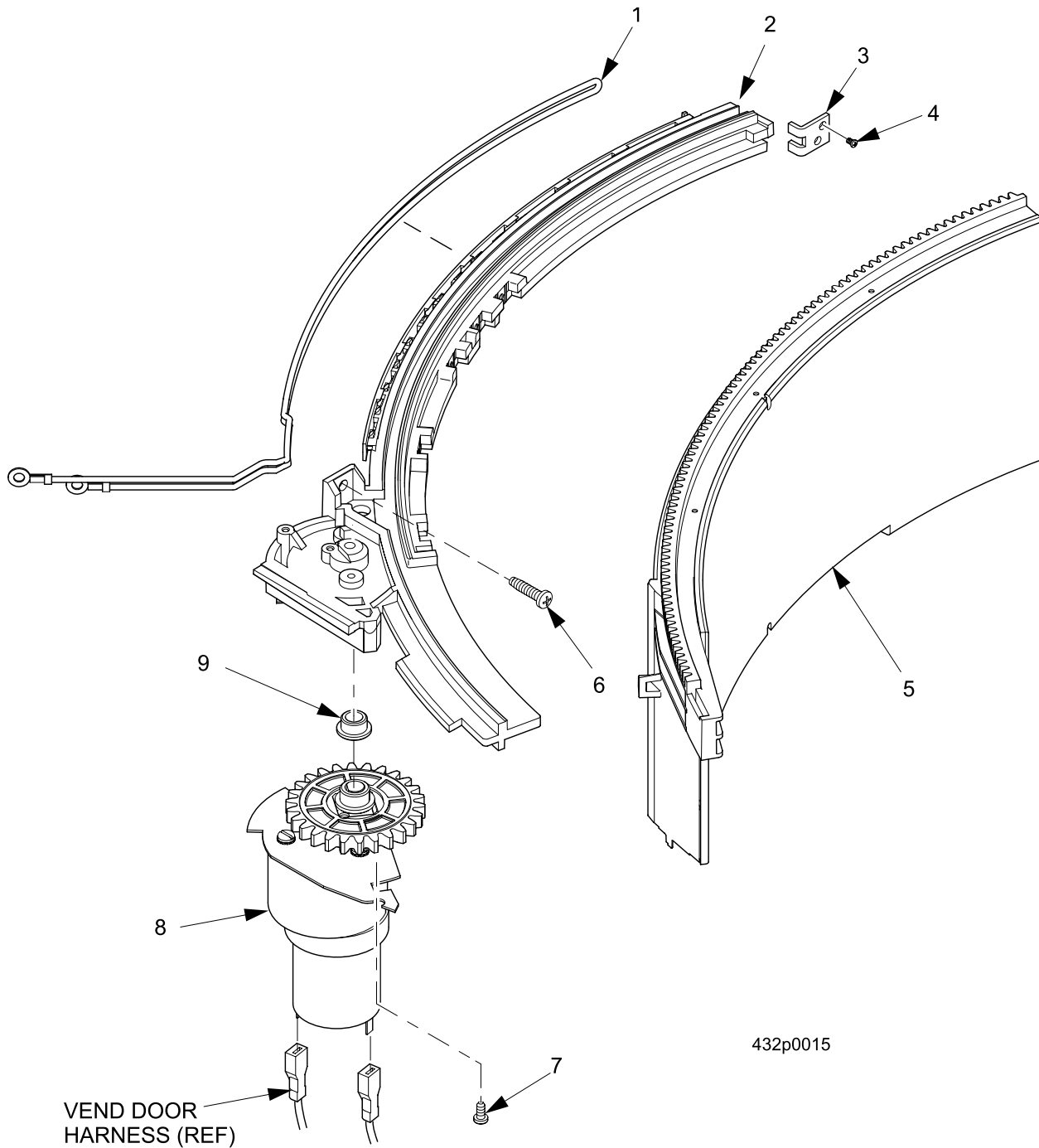


FIGURE 9: POWER VEND GUIDE ASSEMBLY-TOP

TABLE 9: POWER VEND GUIDE ASSEMBLY-TOP

INDEX	PART NUMBER	DESCRIPTION	QTY
--	4322161	GUIDE ASSEMBLY - VEND - TOP - POWER	--
--	4322158	GUIDE & HEATER ASSEMBLY - VEND (ITEMS 1-2)	1
1	4326000	WIRE & TERMINAL ASSEMBLY - HEATER DOOR - 24 VAC	1
2	4322051	GUIDE - DOOR - VEND	1
3	4322136	RETAINER - GUIDE	1
4	1472132	SCREW - #6-32 X .25 PHS T/C	2
5	4322133	WELD ASSEMBLY - VEND DOOR	1
6	1572242	SCREW - #8-18 X.75 PLASTITE HHS	1
7	4321168	SCREW - #6-19 X .31 PHIL.PHS.T/	1
8	4322148	MOTOR BRACKET & GEAR ASSEMBLY - VEND	1
9	4322116	BEARING - SHOULDER - BRONZE	1

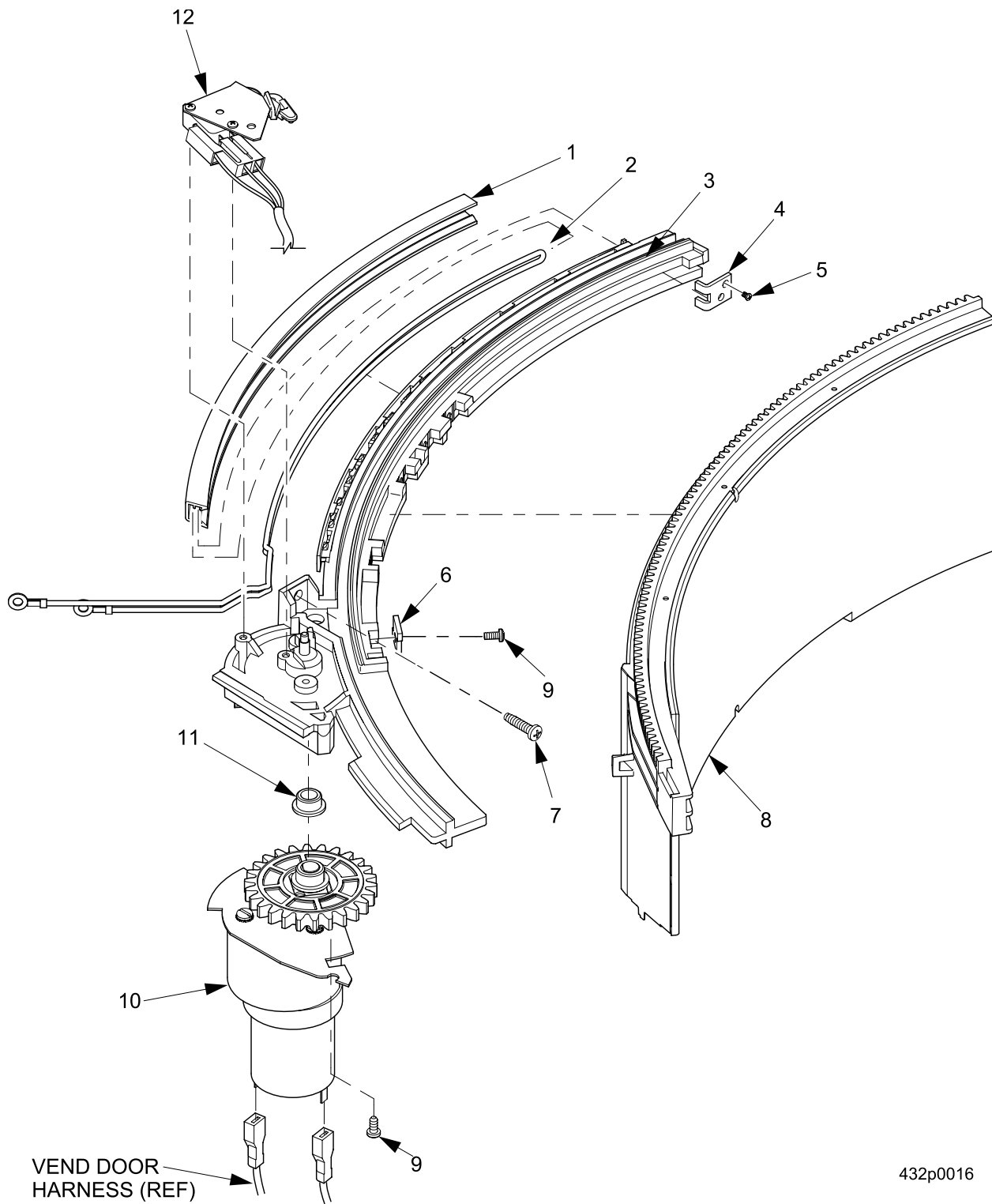
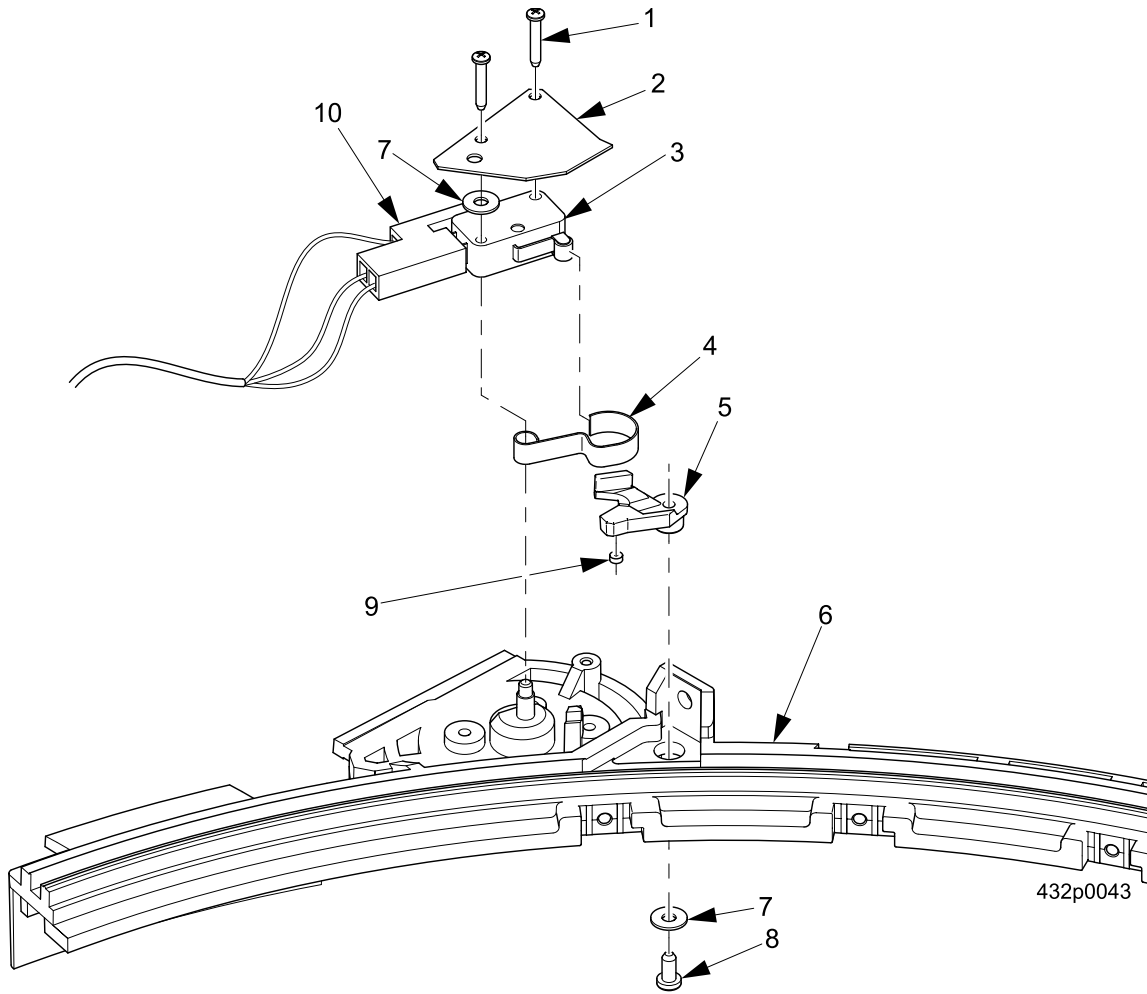


FIGURE 10: POWER VEND GUIDE ASSEMBLY-MIDDLE

TABLE 10: POWER VEND GUIDE ASSEMBY-MIDDLE

INDEX	PART NUMBER	DESCRIPTION	QTY
--	4322163	GUIDE ASSEMBLY - VEND - MID - POWER	--
1	4322100	COVER - GUIDE - VEND	1
--	4322158	GUIDE & HEATER ASSEMBLY - VEND (ITEMS 2-3)	1
2	4326000	WIRE & TERMINAL ASSEMBLY - HEATER DOOR - 24 VAC	1
3	4322051	GUIDE - DOOR - VEND	1
4	4322136	RETAINER - GUIDE	1
5	1472132	SCREW - #6-32 X .25 PHS T/C	2
6	4322286	STOP - VEND - DOOR	1
7	1572242	SCREW - #8-18 X.75 PLASTITE HHS	1
8	4322133	WELD ASSEMBLY - VEND DOOR	1
9	4321168	SCREW - #6-19 X .31 PHIL.PHS.T/C	1
10	4322148	MOTOR BRACKET & GEAR ASSEMBLY - VEND	1
11	4322116	BEARING - SHOULDER - BRONZE	1
12	--	SEE FIGURE 12 DOOR SWITCH ASSEMBLY	1

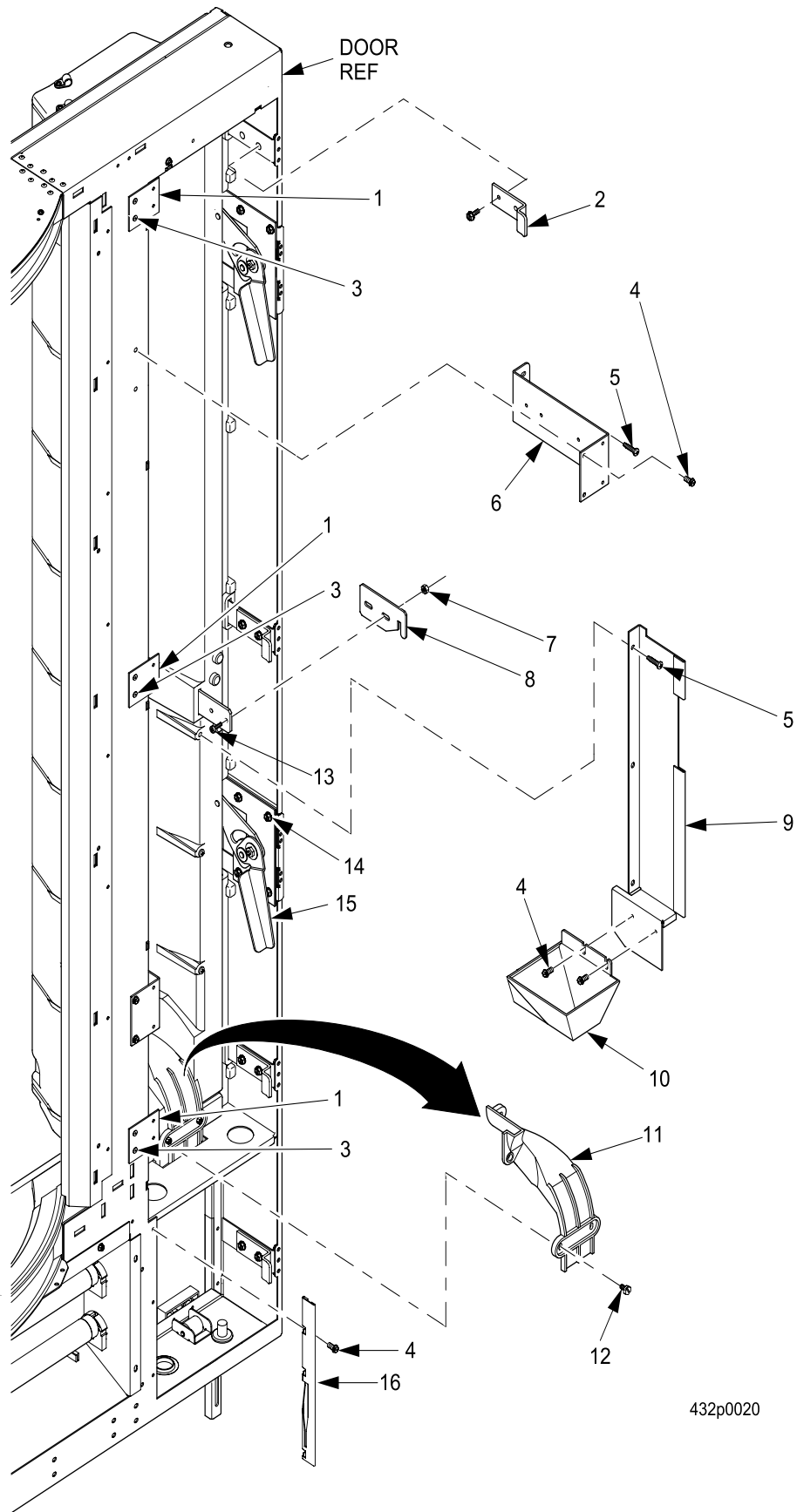


432p0043

FIGURE 11: DOOR SWITCH ASSEMBLY

TABLE 11: DOOR SWITCH ASSEMBLY

INDEX	PART NUMBER	DESCRIPTION	QTY
1	4322141	SCREW-#3-24 X .62 PLASTITE-PN-	2
2	4322155	COVER-MICRO SWITCH	1
3	9984634	SWITCH-ROLLER LEVER	1
4	4322130	SPRING-SWITCH-DOOR-VEND	1
5	4322225	CAM-MICRO SWITCH	1
6	4322158	GUIDE & HEATER ASSY-VEND	1
7	9900065	WASHER STEEL 3/8 X .147 X .031	2
8	1472132	SCREW-#6-32 X .25 PHS T/C	1
9	4322224	ROLLER-CAM-MICRO SWITCH	1
10	4329047	HARNESS-VEND DOOR-MANUAL	1
	4329033	HARNESS-VEND DOOR-POWER	

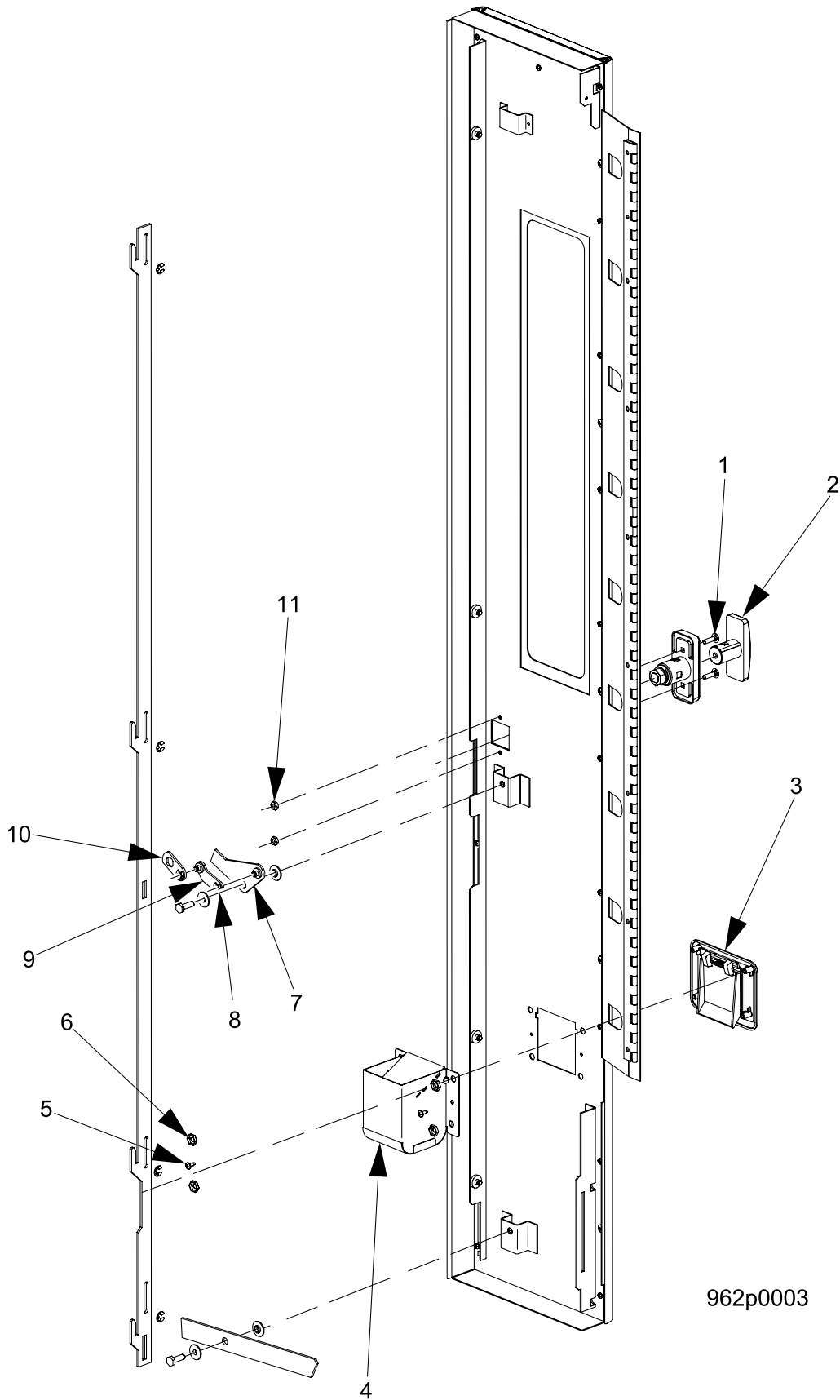


432p0020

FIGURE 12: INTERIOR DOOR - MISCELLANEOUS PARTS

TABLE 12: INTERIOR DOOR - MISCELLANEOUS PARTS

INDEX	PART NUMBER	DESCRIPTION	QTY
1	4327019	TAP PLATE - LATCH ARM	3
2	4322056	LATCH - DOOR - MONETARY	4
3	3502078	RIVET - POP - .125 DIA X .265	6
4	1451097	SCREW - #8-32X.31 HEX HD.TF-BL	37
5	4277042	SCREW- #8-18 X ,75 PLASTITE HH	3
6	4322035	BRACKET - MOUNT - SLIDE	2
7	9900081	NUT #8-32 KEPS ZINC PLATE	2
8	4325131	ARM LOCK-MONETARY	1
9	4325167	SIDE-FILLER-MONETARY	1
10	4325068	CHUTE-PAYOUT	1
11	4322128	CHUTE- MONEY BOX	1
12	4277042	SCREW - #8-10X.38 HEX HD.TF	3
13	1451097	SCREW #8-32 X 9/16 P/H PHIL.	2
14	1141046	SCREW - #10-32X3/8 ACORN HEX W	14
15	4322307	LATCH/PLATE ASSEMBL	2
16	9622000	ANGLE BRACKET LOCK	1



962p0003

FIGURE 13: LOCK BAR ASSEMBLY

TABLE 13: LOCK BAR ASSEMBLY

INDEX	PART NUMBER	DESCRIPTION	QTY
1	AP118-10-12	10-24 X 3/4 CARRIAGE BOLT ZN	2
2	9622002	T HANDLE LOCK	1
3	AP16600403	COIN CUP TRIM ASM BLACK ST	2
4	AP16600280	COIN CUP ASM SECURITY 120 DOM	1
5	AP276-8R6	8-32X3/8 PN/NIBS HD T23 BL MAX	6
6	AP18443	NUT, 1/4 SELF THREADING, PAL	2
7	9625014	T HANDLE LINKAGE ASM	1
8	9900425	RETAINING RING REINF E TYP.250	6
9	9625012	LOCK ARM PIVOT ASSY	1
10	9625010	T HANDLE LOCK ARM	4
11	AP438-10	10-24 KEPS NUT ZN	4

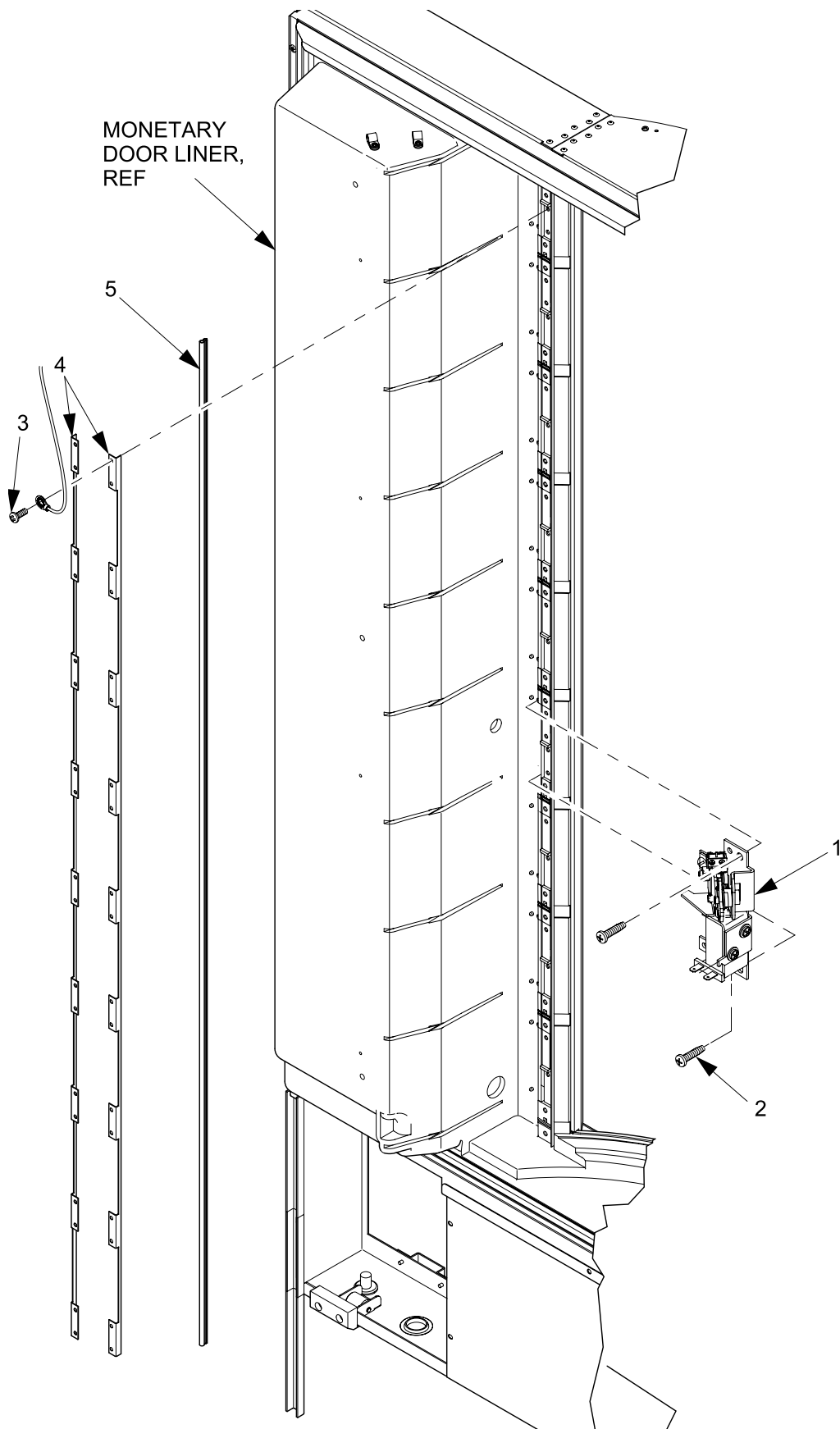


FIGURE 14: BUSS BAR AND VEND DOOR LOCK

TABLE 14: BUSS BAR AND VEND DOOR LOCK

INDEX	PART NUMBER	DESCRIPTION	QTY
1	4322147	LOCK ASSY-DOOR VEND-SOLENOID	9
2	1572242	SCREW - #8-18 X.75 PLASTITE	18
3	4552032	SCREW-#8-1/2 PHILLIPS-PH.-S.S.	22
4	4326009	BUSS BAR	2
5	4322090	SEAL - TUBE & DART	1

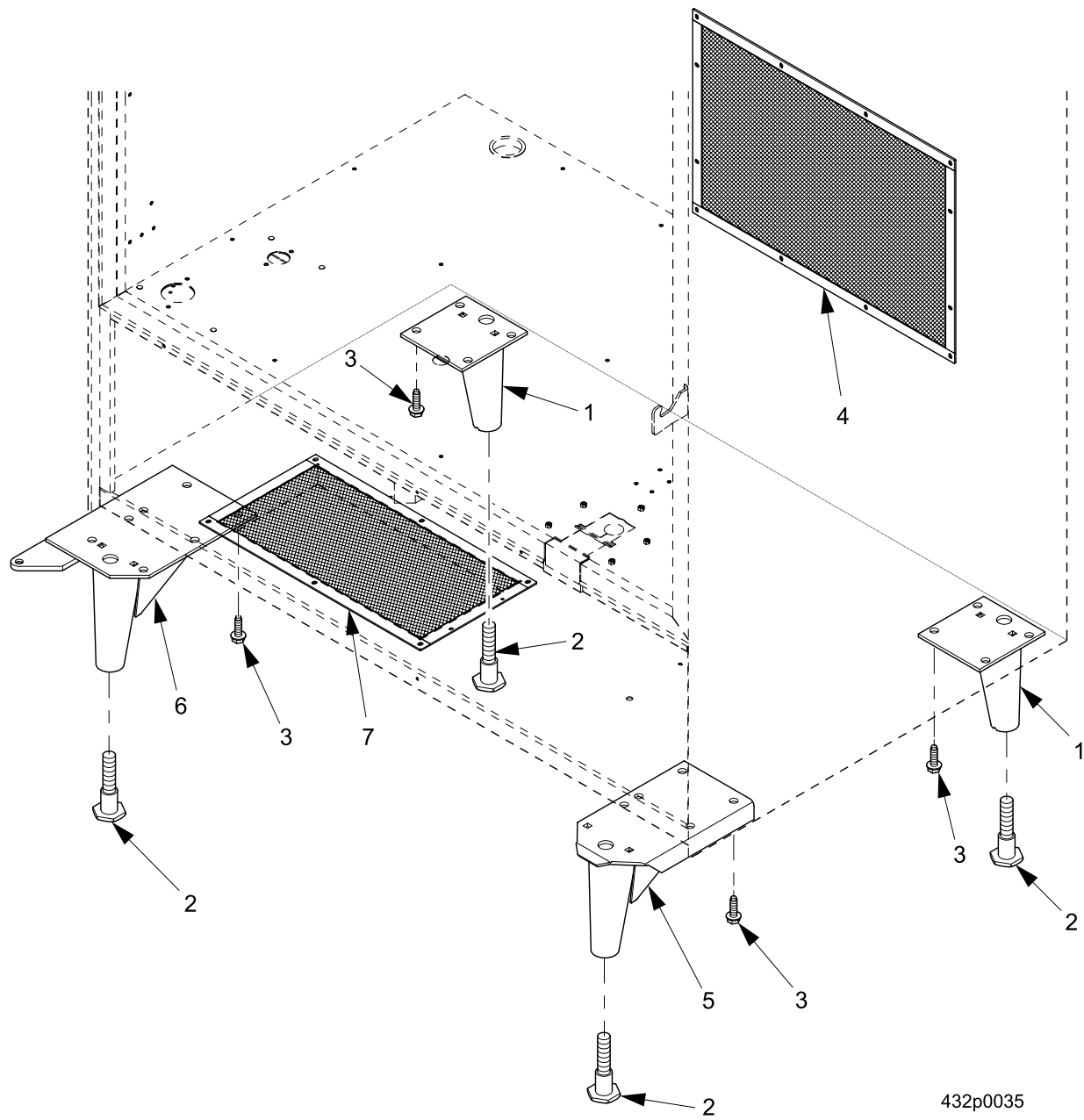


FIGURE 15: LEG ASSEMBLIES & AIR INLET/OUTLET SCREENS

TABLE 15: LEG ASSEMBLIES & AIR INLET/OUTLET SCREENS

INDEX	PART NUMBER	DESCRIPTION	QTY
--	1471237	LEG & LEVELER ASSEMBLY - CABINET (ITEMS 1-2)	--
1	4311068	LEG ASSEMBLY - CABINET - WELD	2
2	1471098	LEVELER - CABINET	4
3	9900218	SCREW - #5/16 X 1 W/LOCKING RING	16
--	4301039	LEG & LEVELER ASSEMBLY - RIGHT FRONT (ITEMS 2 AND 5)	--
4	4321156	SCREEN - OUTLET AIR	1
5	4301045	LEG ASSEMBLY - RIGHT FRONT	1
--	4321084	LEG, HINGE & LEVELER ASSEMBLY (ITEMS 2 AND 6)	--
6	4321085	PLATE ASSEMBLY - LEG & HINGE	1
7	4321150	SCREEN - INLET AIR	1

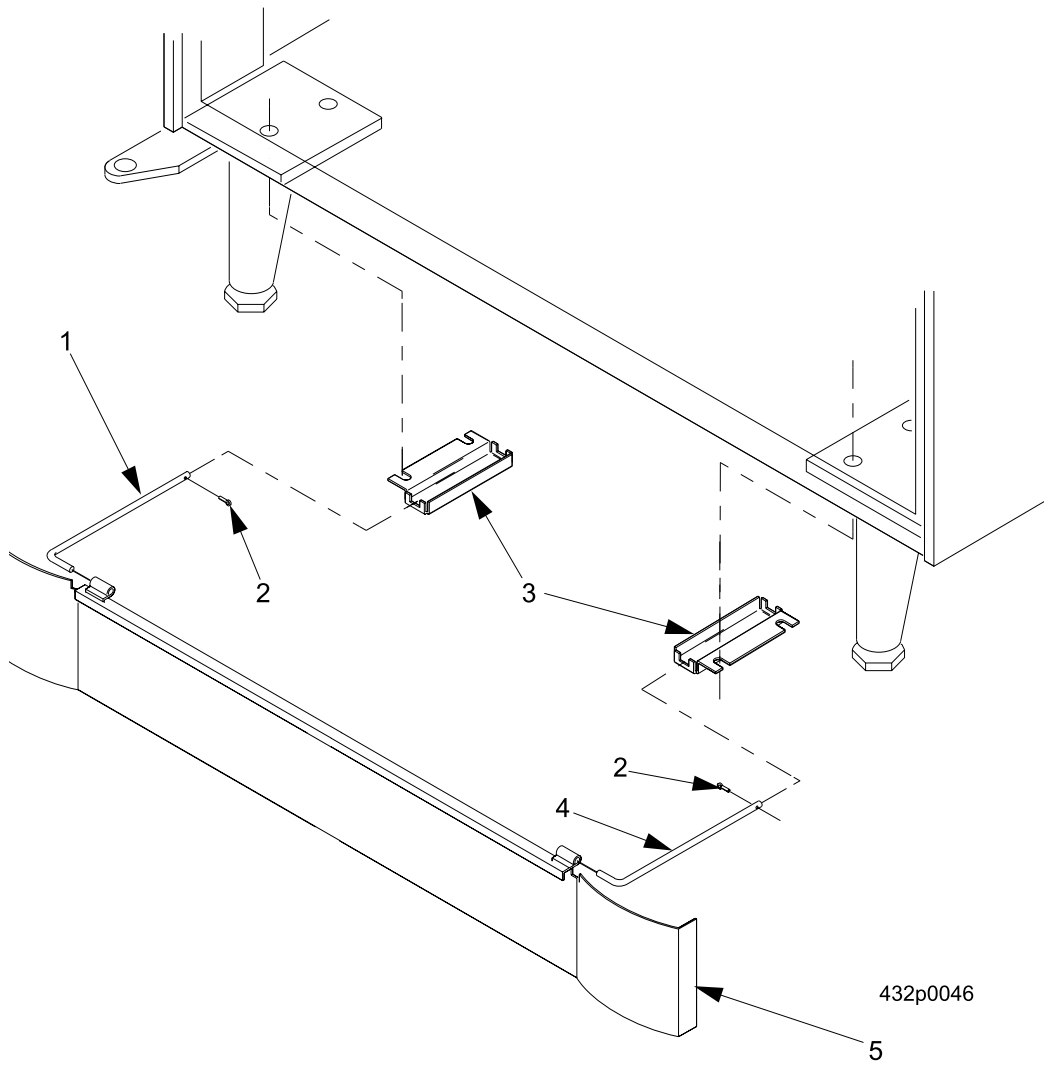
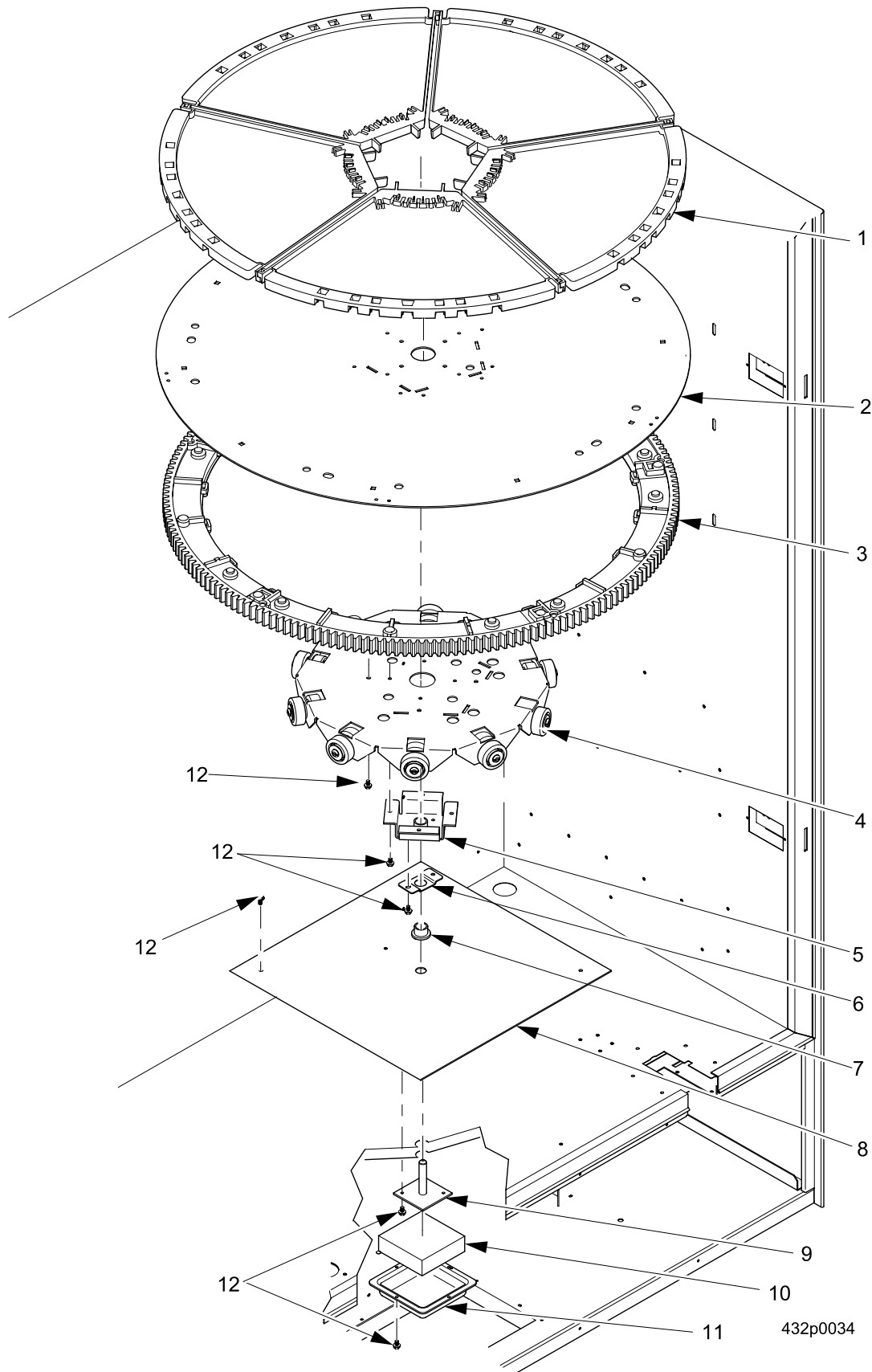


FIGURE 16: BASE PLATE ACCESSORY

TABLE 16: BASE PLATE ACCESSORY

INDEX	PART NUMBER	DESCRIPTION	QTY
--	4311190	BASE PLATE AND ACCESSORY ASSEMBLY - 38" - MILLENNIA	--
1	4551153	SLIDE - BASE PLATE - LEFT HAND	1
2	9900098	COTTER PIN 3/32 X 3/4 LONG	2
3	4311071	BRACKET - BASE PLATE	2
4	4551154	SLIDE - BASE PLATE - RIGHT HAND	1
5	1571161	BASE PLATE ASSEMBLY - 38" MILLENNIA	1

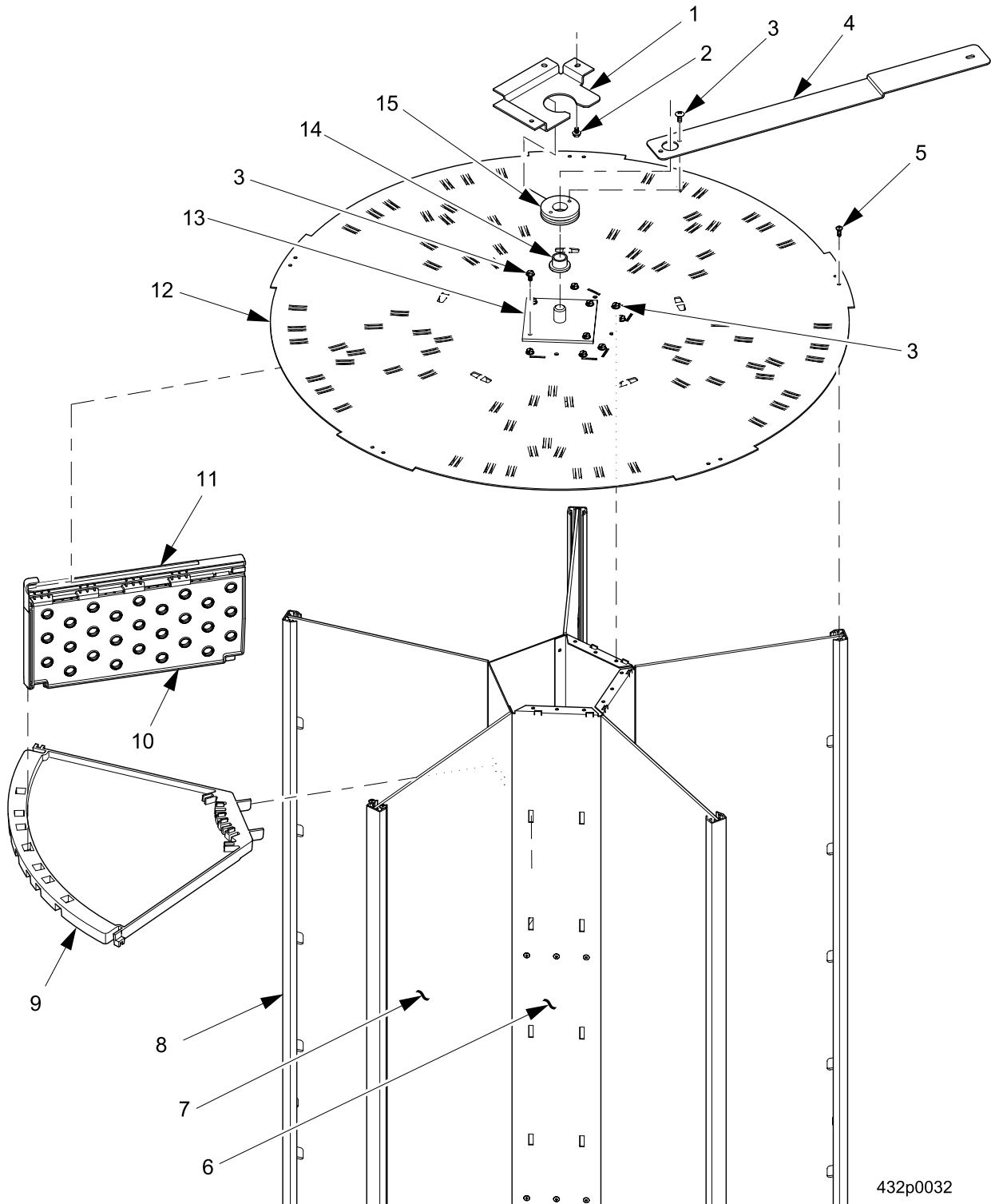


432p0034

FIGURE 17: TURRET

TABLE 17: TURRET

INDEX	PART NUMBER	DESCRIPTION	QTY
--	4327047	TURRET - STANDARD - BLACK	--
1	4327041	SHELF - PRODUCT	45
2	4327059	BASE ASSEMBLY - TURRET - BOTTOM	1
3	4327001	GEAR SECTION - 5 SEGMENT	5
4	4327061	PLATE ASSEMBLY - ROLLER SUPPORT	1
5	4327032	PLATE & BUSHING ASSEMBLY - SUPPORT	1
6	4327024	RETAINER - BUSHING	1
7	4311225	BEARING - FLANGED - OILITE FB810-4	1
8	4327010	PLATE - ROLLER BEARING	1
9	4327023	PLATE ASSEMBLY - SHAFT & MOUNTING	1
10	4327025	INSULATION - FOAM	1
11	4327026	COVER - INSULATION	1
12	1451097	SCREW - #8-32 X .31 HEX HD.TF-BLK.	24

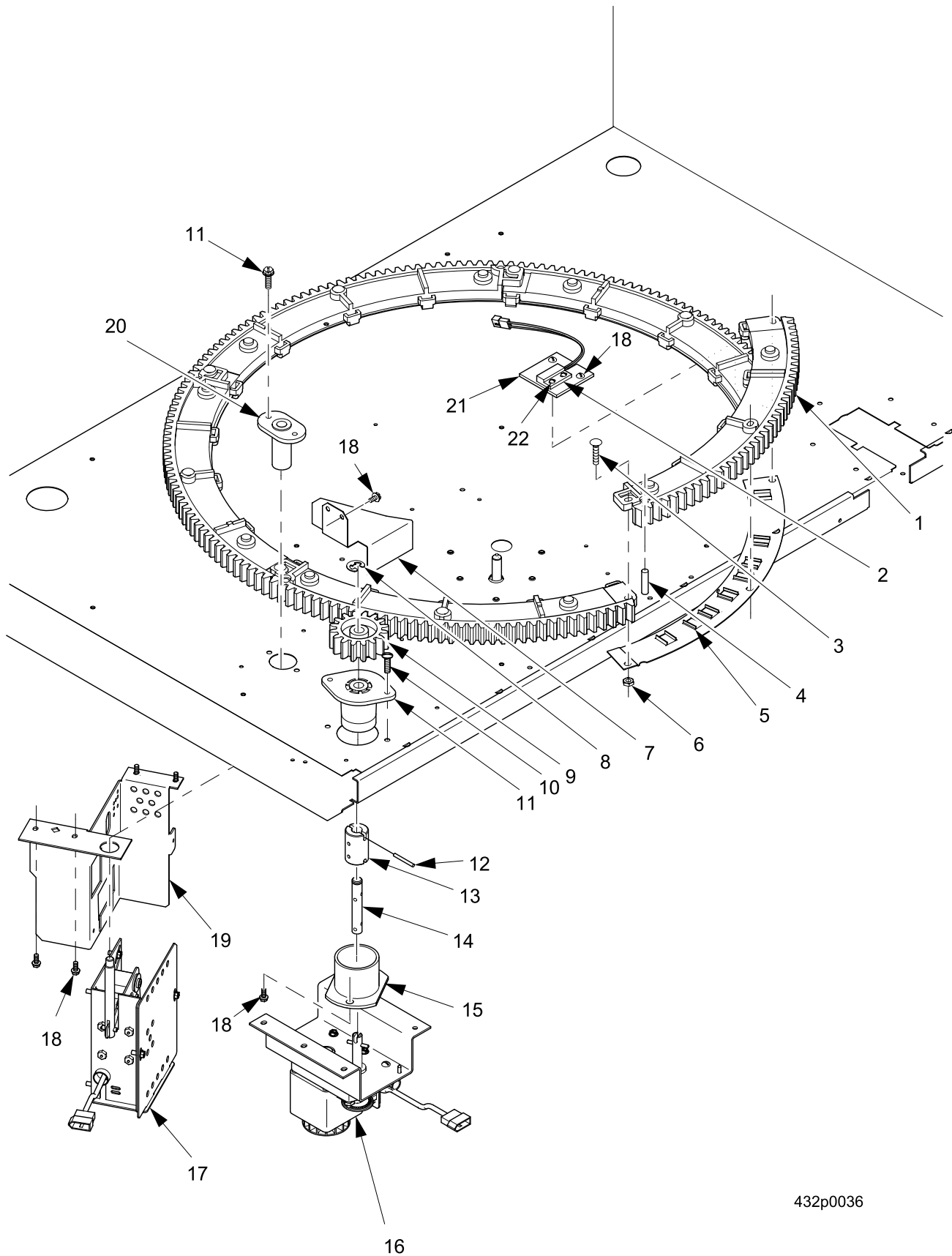


432p0032

FIGURE 18: TURRET - TOP PARTS

TABLE 18: TURRET - TOP PARTS

INDEX	PART NUMBER	DESCRIPTION	QTY
1	4327039	PLATE - TURRET LATCH - TOP	1
2	1451097	SCREW - #8-32X.31 HEX HD.TF-BL	6
3	1451097	SCREW - #8-32X.31 HEX HD.TF-BL	10
4	4327044	ARM - TURRET LATCH - TOP	1
5	9900092	SCREW - #6-32 X 3/8 PHIL.PH.	20
6	4327078	COLUMN ASSEMBLY - CENTER	1
7	4327031	WALL - SHELF (CLEAR)	5
8	4327007	RAIL - TURRET	5
9	4327041	SHELF - PRODUCT	45
10	4327042	DIVIDER - SHELF	90
11	4327043	RETAINER - SHELF	90
12	4327002	TOP PLATE - TURRET	1
13	4307032	PIN & PLATE ASSEMBLY	1
--	4327045	BUSHING & LOCK NUT ASSEMBLY (NEXT 2 ITEMS)	--
14	4311225	BEARING - FLANGED - OILITE FB810	1
15	4327040	LOCK NUT - TURRET LATCH - TOP	1



432p0036

FIGURE 19: TURRET - BOTTOM PARTS

TABLE 19: TURRET - BOTTOM PARTS

INDEX	PART NUMBER	DESCRIPTION	QTY
1	4327001	GEAR SECTION - 5 SEGMENT	5
2	4329022	SENSOR - PROXIMITY	1
3	4307024	CARRIAGE BOLT - #10-24 X 1.00	10
4	4301353	MAGNET - MAGNETIZED	1
5	4327014	PLATE - STOP PIN - 5 SEGMENT	5
6	4307029	NUT - #10-24 SELF-LOCKING	10
7	4321201	COVER - TURRET - MOTOR - GEAR	1
8	9900437	RETAINING RING REINF E TYP.375	1
9	4327034	GEAR - DRIVE - BLACK	1
--	4321106	BUSHING & DRIVE SHAFT ASSEMBLY (ITEMS 12 -15)	--
10	4312217	SCREW #8-32 X .50 PHILLIPS-PN HD	6
11	4741050	HOUSING - DRIVE SHAFT - UPPER	1
12	4301375	GROOVE - PIN - .125 DIA.X.875 LG.	4
13	4301394	COUPLING - DRIVE	1
14	4301395	SHAFT - DRIVE	1
15	4321002	HOUSING - DRIVE SHAFT - LOWER	1
16	4321230	MOTOR DRIVE ASSEMBLY -115V (SEE TABLE 20 FOR DETAILS)	1
	4321220	MOTOR DRIVE ASSY-230V (SEE TABLE 20 FOR DETAILS)	
17	4321195	STOP PIN ASSEMBLY-115V (SEE TABLE 21 FOR DETAILS)	1
	4321196	STOP PIN ASSY-FOREIGN	
18	1451097	SCREW-#8-32 X .31 HEX HD. TF-BLK	10
19	4327070	BRACKET-STOP PIN ASSY	1
20	4311237	BUSHING-STOP PIN	1
21	4327020	PLATE-SENSOR	1
22	1212140	SCREW-#4-40 X 1/4 RHS	2

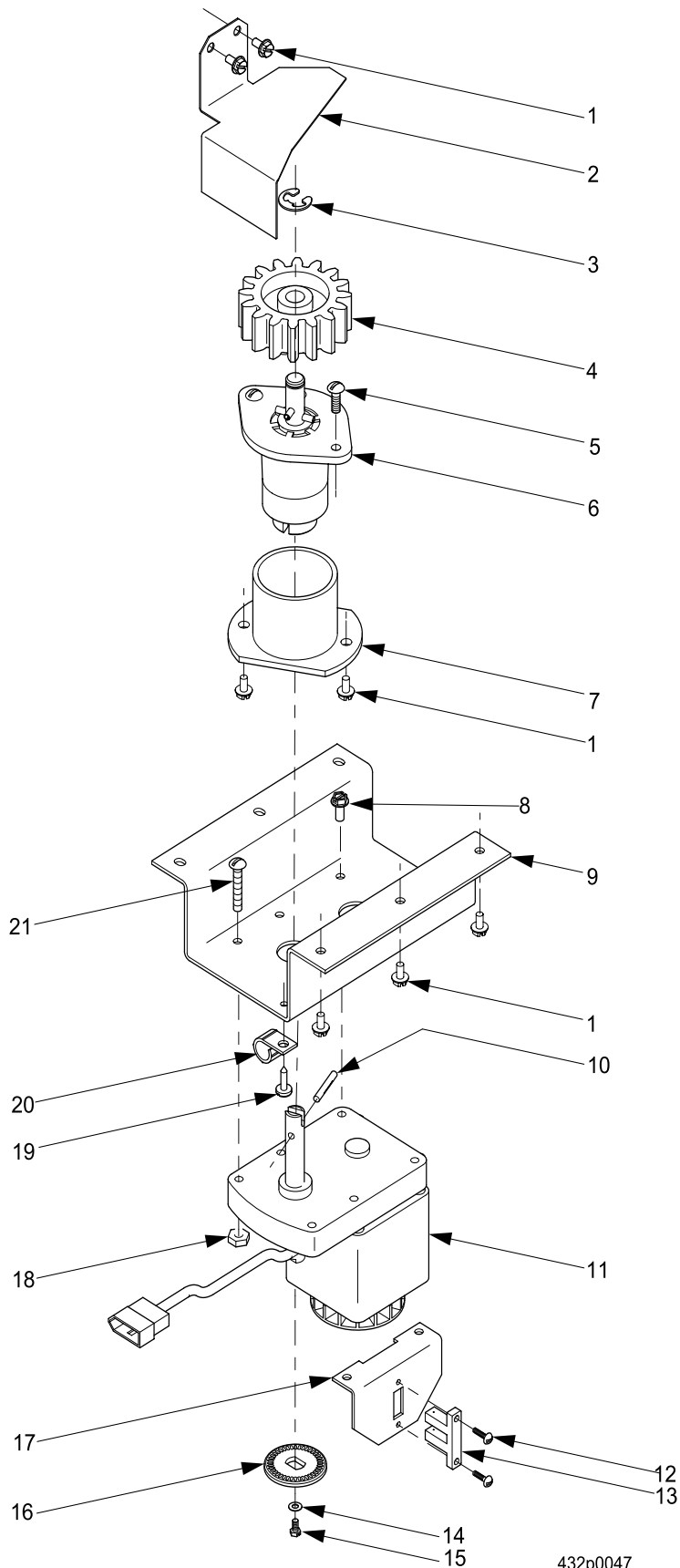
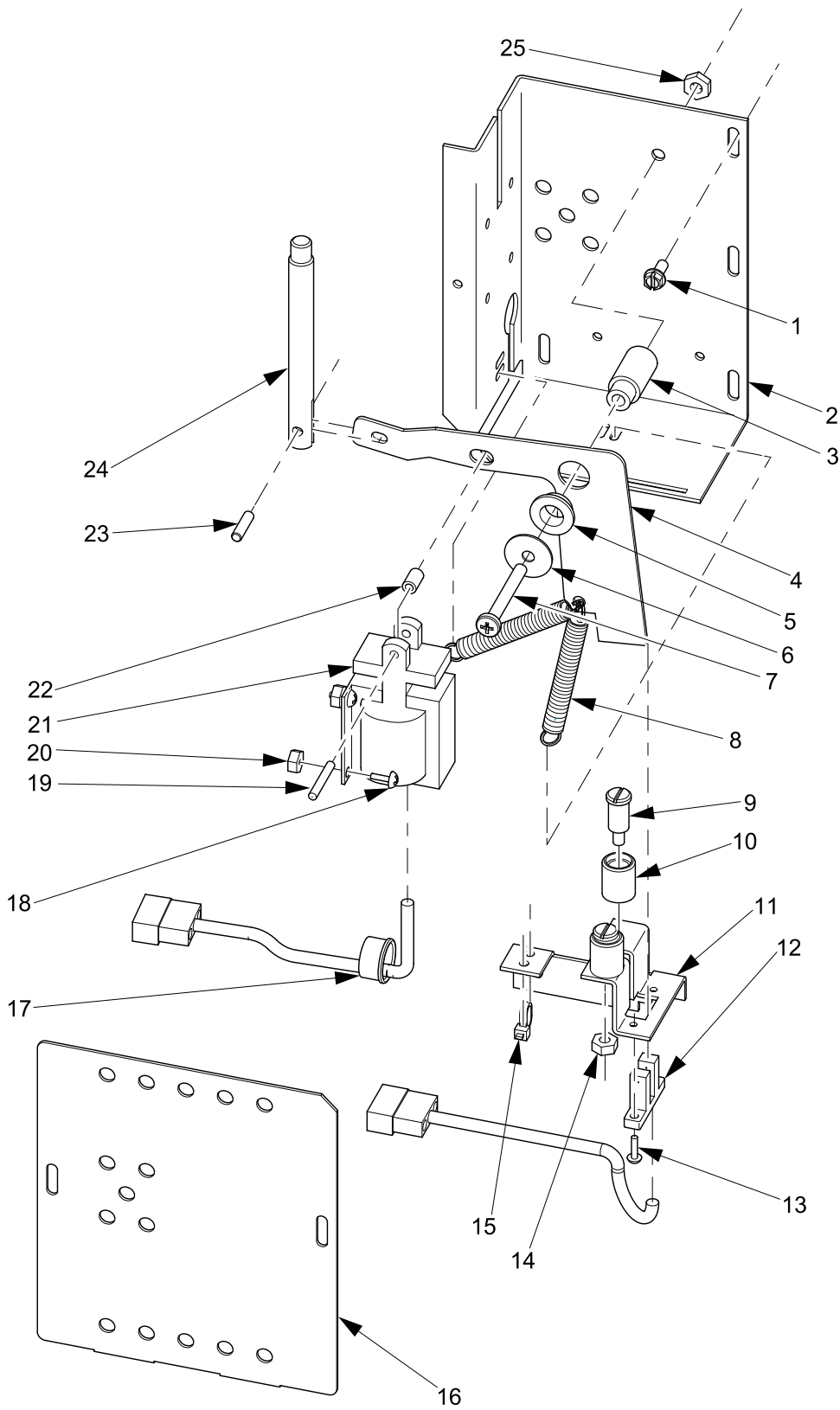


FIGURE 20: MOTOR DRIVE ASSEMBLY

432p0047

TABLE 20: MOTOR DRIVE ASSEMBLY

INDEX	PART NUMBER	DESCRIPTION	QTY
--	4321230	MOTOR DRIVE ASSEMBLY - (115V) (ITEMS 8-21)	--
	4321220	MOTOR DRIVE ASSEMBLY - (230V)(ITEMS 8-21)	
1	1451097	SCREW-#8-32X.31 HEX HD.TF-	10
2	4321201	COVER-TURRET-MOTOR-GEAR	1
3	9900437	RETAINING RING REINF E TYP	1
4	4327034	GEAR-DRIVE-BLACK	1
5	4741050	SCREW#8-32 X.50 PHILLIPS-P	2
6	4321106	BUSHING & DRIVE SHAFT ASSY	1
7	4321002	HOUSING-DRIVE SHAFT-LOWER	1
8	6234295	SCREW-#8-32X.38 HHS W/LW	4
9	4321207	BRACKET - MOTOR MOUNT	1
10	4301375	GROOVE - PIN - .125 DIA.X.875 LG	1
11	4321116	MOTOR - REVERSIBLE - (115V)	1
	4321192	MOTOR - REVERSIBLE - (230V)	
12	4271062	SCREW-#4-24 X .375 PH Z-P	2
13	4329028	ASSY- MOTION DETECTOR	1
14	2204093	WASHER - SCAVENGER BAR	1
15	9900205	SCREW #10-32 X 3/8 HEX HD	1
16	4321107	ENCODER - FOOD DRUM POSITION	1
17	4321257	BRACKET - ENCODER SENSOR MOUNTING	1
18	9900081	NUT #8-32 KEPS ZINC PLATE	2
19	9900160	SCREW-#8-18 X 1/2"PHIL.PAN	1
20	1452139	RETAINER-HARNESS	1
21	9900061	SCREW - #8-32X1.25 PHS	2

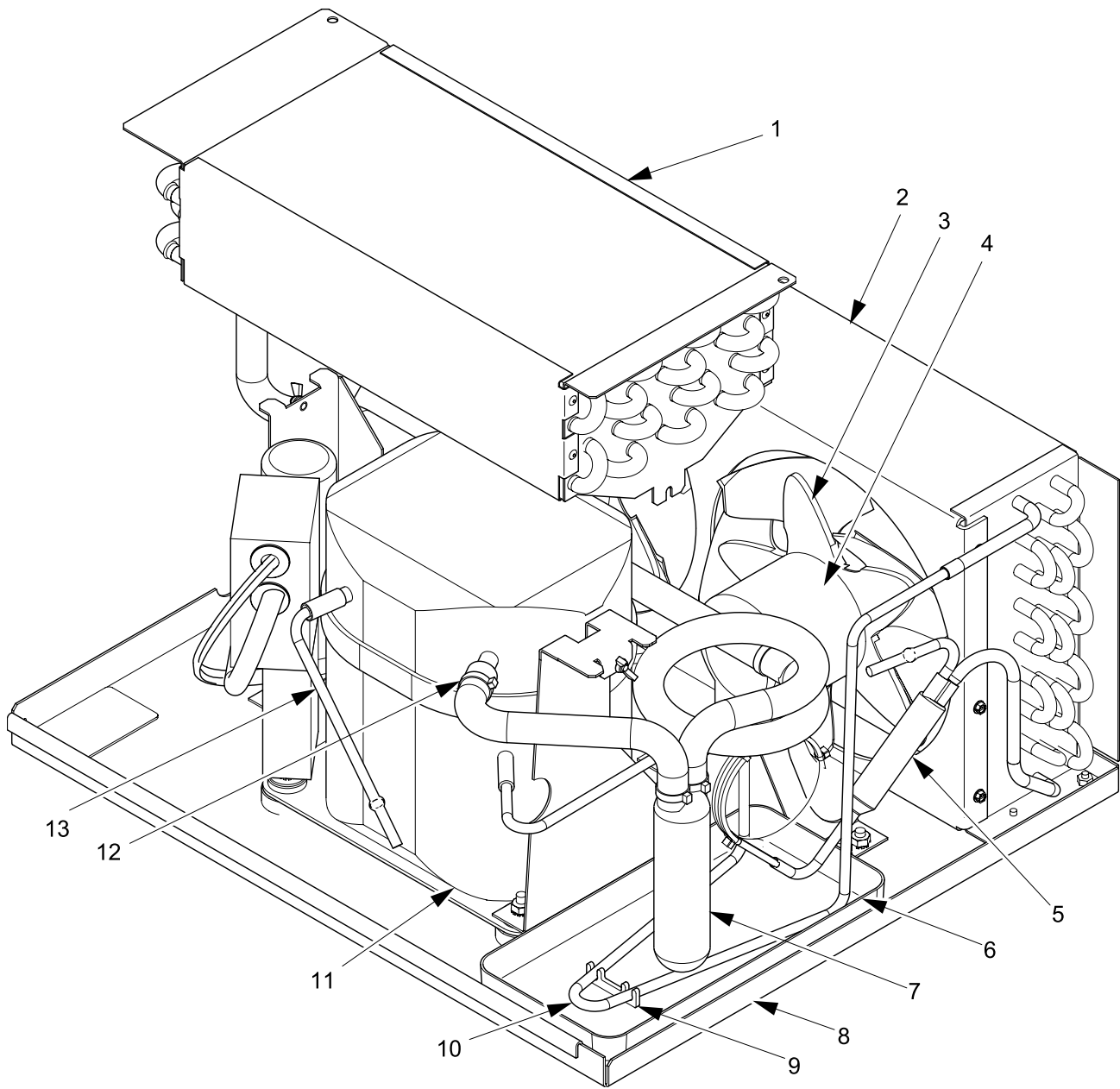


432p0055

FIGURE 21: STOP PIN ASSEMBLY

TABLE 21: STOP PIN ASSEMBLY

INDEX	PART NUMBER	DESCRIPTION	QTY
--	4321195	STOP PIN ASSEMBLY - (115V)	--
	4321196	STOP PIN ASSEMBLY - (230V)	
1	3157060	SCREW#8-32 X .31HEX/HD.S	4
2	4327069	HOUSING-STOP PIN ASSY	1
3	4327064	BUSHING-ACTUATOR-STOP PIN	1
4	4327077	LEVER-ACTUATOR-STOP PIN	1
5	4327062	BUSHING-ACTUATOR-STOP PIN	1
6	6138181	WASHER PLATE	1
7	6104411	SCREW #10-32 X 1-1/2 PHILLIPS	1
8	4311076	SPRING-EXTENSION	2
9	1479062	STUD-DRIVE ARM	1
10	1479063	ROLLER-DRIVE ARM	1
11	4327068	BRACKET-SWITCH-OPTO	1
12	4329028	ASSY- MOTION DETECTOR	1
13	4271062	SCREW-#4-24 X .375 PH Z-P S.T.	2
14	9900081	NUT #8-32 KEPS ZINC PLATE	2
15	4042121	WIRE TIE-#PLT1M-M20	1
16	4327054	COVER-STOP PIN ASSY	1
17	9984095	BUSHING-OPEN/CLOSED-.625	1
18	9900107	SCREW #6-32 X 5/16-RHS-W/LKW	4
19	4301375	GROOVE-PIN-.125 DIA. X .875 LG.	1
20	9900078	NUT #6-32 KEPS ZINC PLATE	4
21	4311252	SOLENOID ASSY 120 VOLTS	1
	4311253	SOLENOID ASSY 240 VOLTS	
22	4301364	BUSHING RETAINER	1
23	6104216	ROLL PIN	1
24	4327037	STOP PIN	1
25	9900164	NUT #10-32 KEPS ZINC PLATE	1



432p0002

FIGURE 22: REFRIGERATION UNIT ASSEMBLY

TABLE 22: REFRIGERATION UNIT ASSEMBLY

INDEX	PART NUMBER	DESCRIPTION	QTY
--	4324000	REFRIGERATION UNIT ASSEMBLY - 60HZ - (115V)	1
	4324001	REFRIGERATION UNIT ASSEMBLY - 50HZ - (230V)	
1	4324003	EVAPORATOR ASSEMBLY - PLUS - PANELS	1
2	4324014	CONDENSER - 9 X 17.5 3R7 FPI	1
3	7214014	BLADE - CONDENSER FAN	2
4	4304092	MOTOR - CONDENSER FAN - (115V)	2
	4774122	MOTOR - CONDENSER FAN - (230V)	
5	4364034	FILTER/DRIER - REFRIGERANT	1
6	4324030	PAN - CONDENSATE	1
7	4244009	ACCUMULATOR P-H 22-056380-01	1
8	4324004	BASE/STUD ASSEMBLY - REFRIGERATION UNIT	1
9	4304076	SPACER - COMP. DISCH.TUBE	1
10	4324027	TUBE - DISCH LINE - COMPRESSOR TO CONDENSER	1
11	4274000	COMPRESSOR - (115V) - AKA4460YXA 60H	1
	4314055	COMPRESSOR - (230V) - R134A	
12	2204513	WIRE TIE - #PLT 1.5IM KB	12
13	4364043	TUBE - PROCESS - EL	1

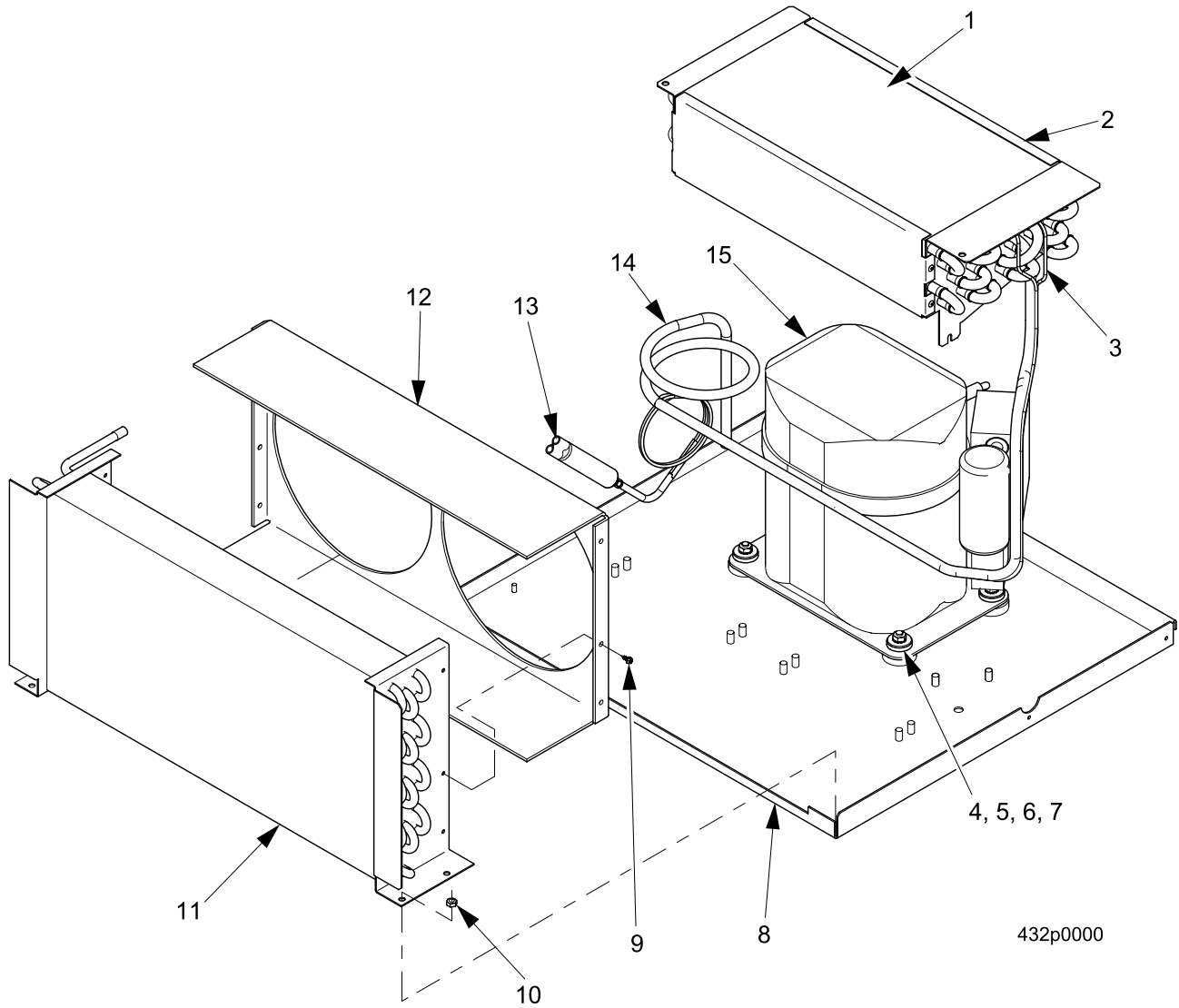
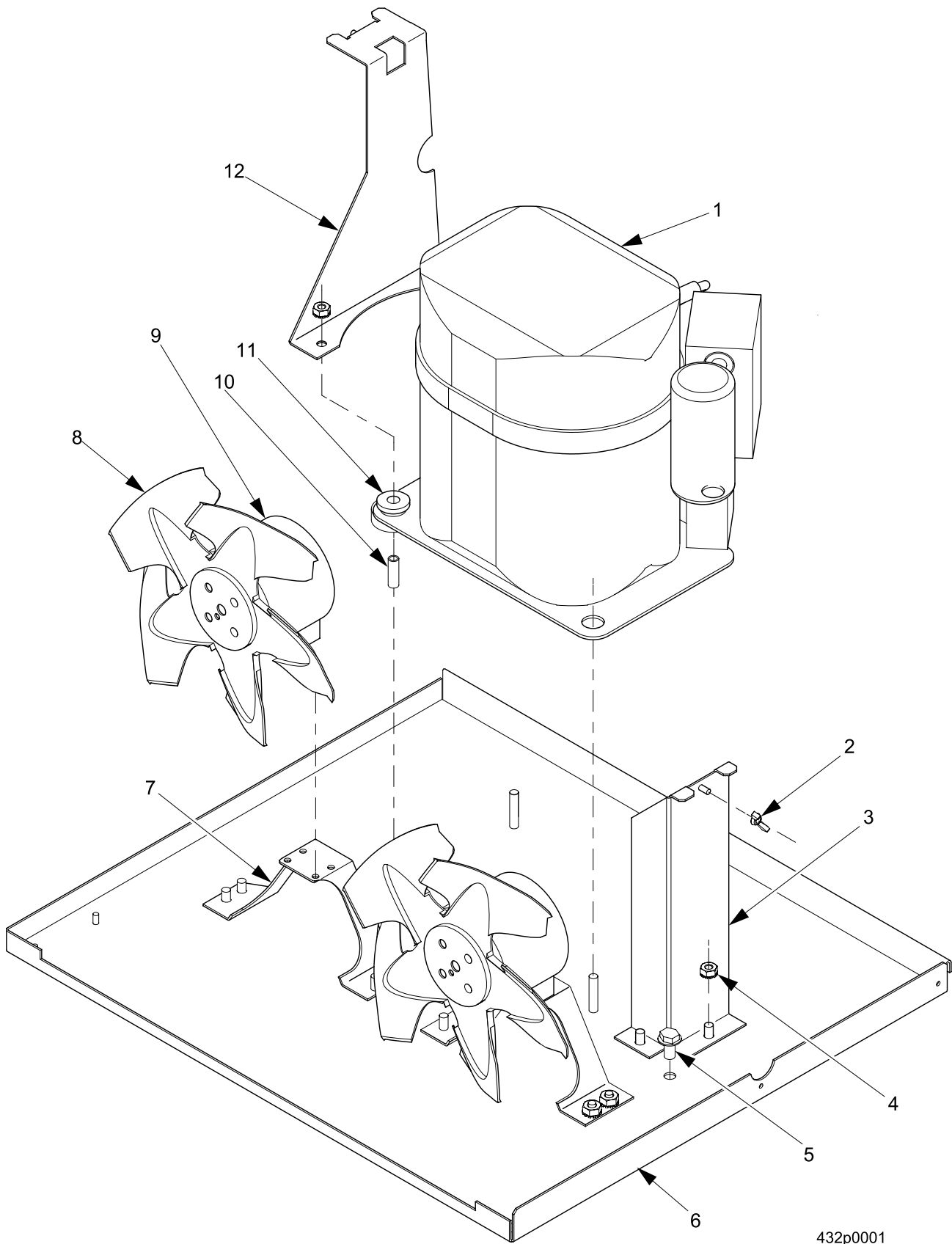


FIGURE 23: REFRIGERATION UNIT COMPONENTS

TABLE 23: REFRIGERATION UNIT COMPONENTS

INDEX	PART NUMBER	DESCRIPTION	QTY
1	4324003	EVAPORATOR ASSEMBLY - PLUS - PANELS (INCLUDES ITEMS 2 & 3)	1
2	4324023	PANEL - EVAPORATOR	2
3	4324022	EVAPORATOR COIL - 4 ROW	1
4	1211105	1/4-20 KEPS NUT EXT LW ZP	14
5	4304236	WASHER - .88 O.D.X.38 I.D.X.063	2
6	4324013	SLEEVE - 11/16 LENGTH	4
7	4324012	GROMMET - 11/16 HEIGHT	4
8	4324004	BASE/STUD ASSEMBLY - REFRIGERATOIN UNIT	1
9	4721035	SCREW - #8-18 X .38 - LGM	6
10	9900081	NUT #8-32 KEPS ZINC PLATE	4
11	4324014	CONDENSER - 9 X 17.5 3R7 FPI	1
12	4324016	SHROUD - CONDENSER - CARDBOARD	1
13	4364034	FILTER/DRIER - REFRIGERANT	1
14	4324029	HEAT EXCHANGER ASSEMBLY	1
15	4274000	COMPRESSOR - AKA4460YXA 60H - (115V)	1
	4314055	COMPRESSOR - R134A - (230V)	

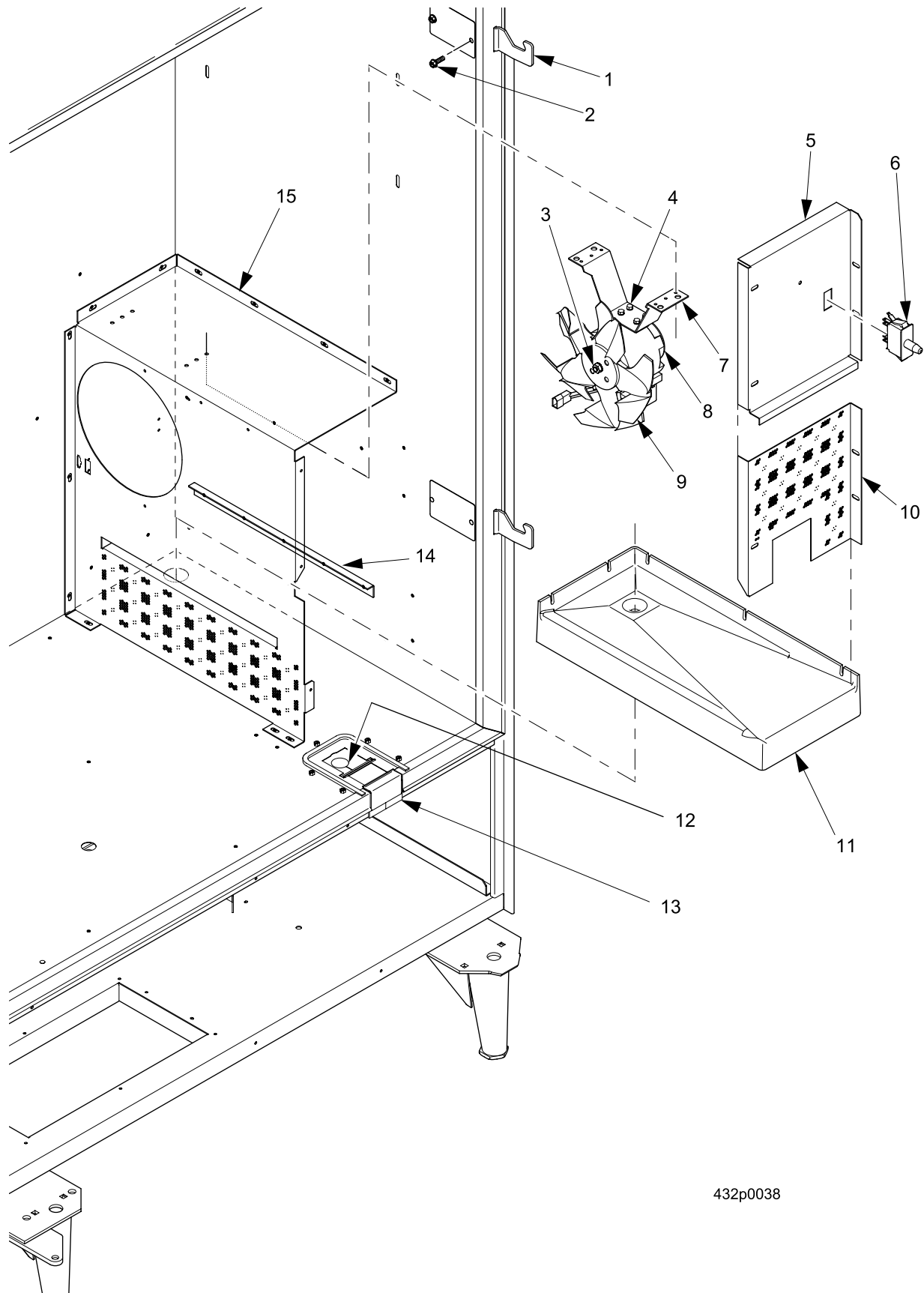


432p0001

FIGURE 24: REFRIGERATION UNIT - BASE AND CONDENSER FAN

TABLE 24: REFRIGERATION UNIT - BASE AND CONDENSER FAN

INDEX	PART NUMBER	DESCRIPTION	QTY
--	4324000	REFRIGERATION UNIT ASSEMBLY - COMPRESSOR - (115V)	1
	4324001	REFRIGERATION UNIT ASSEMBLY - 50HZ - (230V)	
1	4274000	COMPRESSOR-AKA4460YXA 115V 60H	1
	4314055	COMPRESSOR-220V-R134A	
2	4271080	NUT - WING - #8-32 W/NYLON INSERT	2
--	4324048	BAG COMPRESSOR PARTS	1
3	4324009	ASSEMBLY - FRONT - SHIP - BRACKET - STUD	1
4	1211105	1/4-20 KEPS NUT EXT LW ZP	14
5	6401052	SCREW-#5/16-18 X .63 HEX HD.	1
6	4324004	BASE/STUD ASSEMBLY - REFRIGERATION UNIT	1
7	4324044	BRACKET - MOTOR MOUNT	2
8	7214014	BLADE - CONDENSER FAN	2
9	4304092	MOTOR - CONDENSER FAN - (115V)	2
	4774122	MOTOR - CONDENSER FAN - (230V)	
10	4324013	SLEEVE - 11/16 LENGTH	4
11	4324012	GROMMET - 11/16 HEIGHT	4
12	4324010	ASSEMBLY - BACK - SHIP - BRACKET - STUD	1



432p0038

FIGURE 25: EVAPORATOR MOTOR ASSEMBLY

TABLE 25: EVAPORATOR MOTOR ASSEMBLY

INDEX	PART NUMBER	DESCRIPTION	QTY
--	4321172	EVAPORATOR MOTOR ASSEMBLY - (115V) (ITEMS 1,2, 5-7)	--
	4321173	EVAPORATOR MOTOR ASSEMBLY - (230V) (ITEMS 1,2, 5-7)	
1	4321061	ARM-LOCK-CABINET	2
2	1141043	10-32 X 1/2 ACORN HWHO-WIBS	4
3	1211105	1/4-20 KEPS NUT EXT LW ZP	1
4	4721035	SCREW - #8-18 X .38-LGM	4
5	4321016	PANEL - FAN - ACCESS	1
6	1236050	SWITCH-INTERLOCK	1
7	7214082	BRACKET - CONDENSER FAN	1
8	4324038	MOTOR - 60HZ - EXT. - CAPAC - (115V)	1
	4324039	MOTOR - 50HZ - EXT. - CAPAC - (230V)	
9	4324041	BLADE - EVAPORATOR FAN	1
10	4321166	PANEL - PERFORATED	1
11	4321023	PAN - ABS - EVAPORATOR DRAIN	1
12	4321044	INSULATION-PASSTHRU-CABINET	1
13	4321089	RETAINER-CABINET-NOTCH	1
14	4321104	BRACKET - ANGLE - EVAPORATOR	1
15	4321012	PANEL - EVAPORATOR MOUNT	1
--	9989781	POWER CORD - 14AWG - DOMESTIC - (115V) (NOT SHOWN)	1
	9989576	POWER CORD - W/BSI PLUG - (230V) (NOT SHOWN)	
	9989560	POWER CORD-FOR.-AUSTR./NEW Z.	

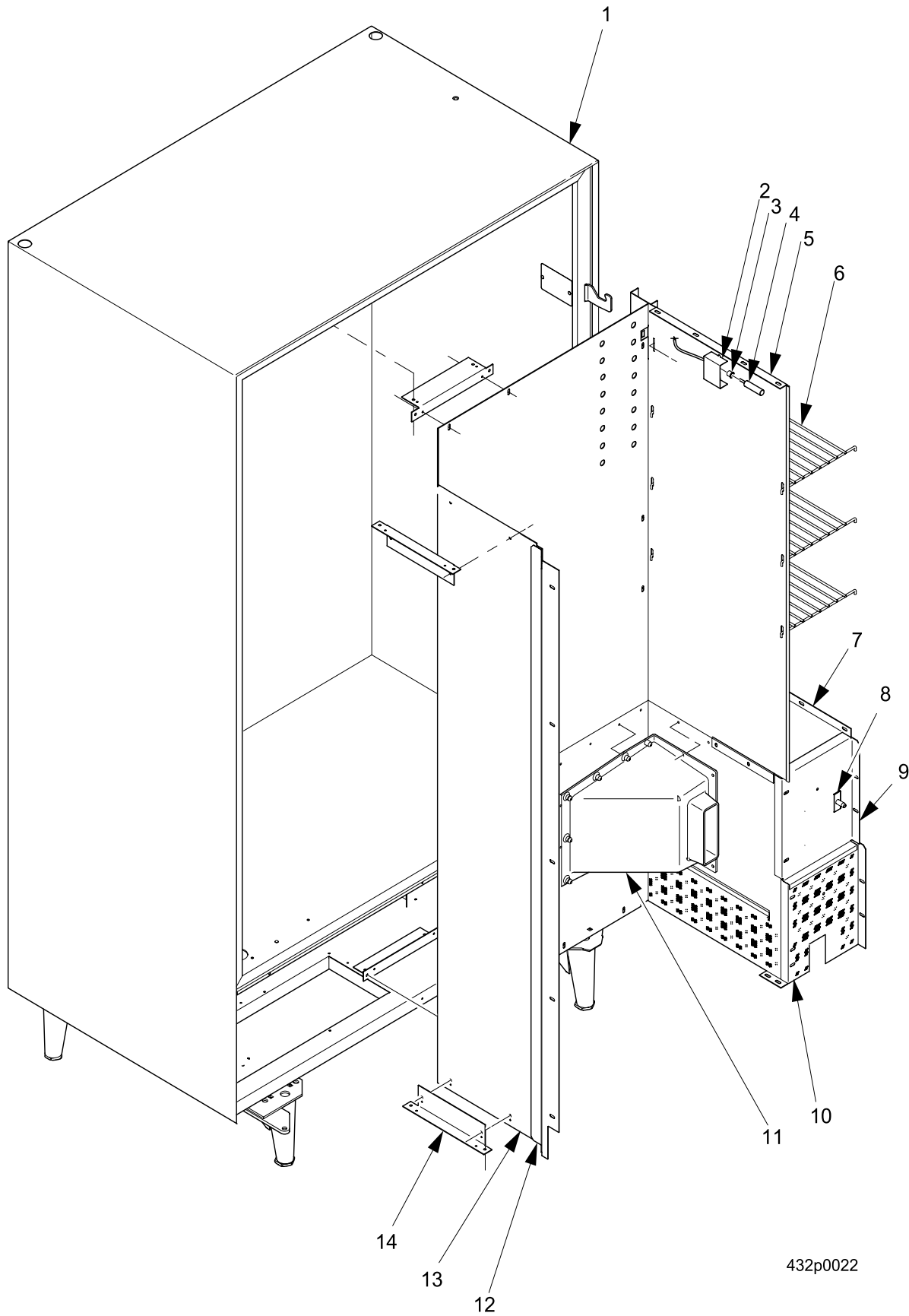
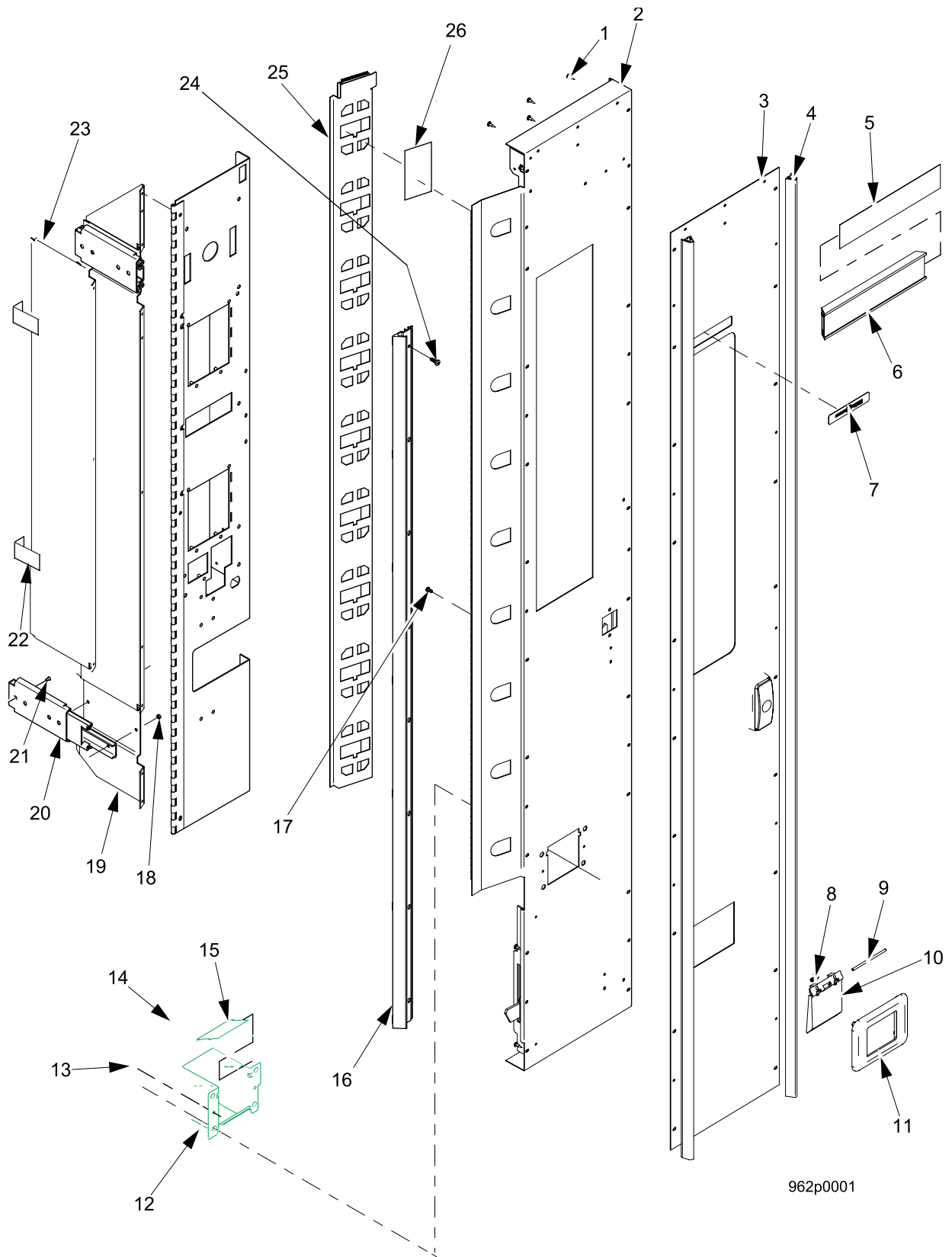


FIGURE 26: REFRIGERATION AIR DUCTS

TABLE 26: REFRIGERATION AIR DUCTS

INDEX	PART NUMBER	DESCRIPTION	QTY
1	4321004	CAB.ASSY-INSUL.-BLK.INTERIOR	1
	4321013	CAB.ASSY-IN.SEL WHI BLK INTER	
2	4321175	COVER - TEMPERATURE SENSOR	1
3	9985887	BUSHING-STRAIN RELIEF	1
4	9987852	PROBE-TEMP. SENSOR	1
5	4321238	STORAGE WALL	1
6	4301254	SHELF - STORAGE	3
7	4321012	PANEL - EVAPORATOR MOUNT	1
8	1236050	SWITCH - INTERLOCK	1
9	4321016	PANEL - FAN - ACCESS	1
10	4321166	PANEL - PERFORATED	1
11	4321124	DUCT - AIR - CORNER	1
12	4321171	PANEL ASSEMBLY - DISCHARGE - AIR	1
13	4321239	PANEL - AIR SUPPLY	1
14	4321256	BRACKET - ANGLE	6



962p0001

FIGURE 27: MONETARY PANEL

TABLE 27: MONETARY PANEL

INDEX	PART NUMBER	DESCRIPTION	QTY
1	AP13100054	SCREW SELF TAP X .480 LONG	1
2	9625006	DOOR WELD ACCESS	1
3	9625001	PANEL OUTER SHELL	1
4	AP13400030-01	TRIM VERTICAL METRO 962	1
5	AP14400137-15	HEADER VINYL 962	1
6	AP13400021-21	HEADER METRO STYLE 962	1
7	9422010	AP LOGO PLATE	1
8	AP400108	SPRING G/M DISPLAY DR SPRING	1
9	AP300212	PIVOT PIN, COIN CUP DOOR	2
10	AP440412	COIN CUP DOOR	1
11	AP14400106	COIN CUP FRONT TRIM ST BLK	1
12	AP202810	COIN CUP ZINC PLATED 120	1
13	AP276-8R6	8-32X3/8 PN/NIBS HD T23 BL MAX	1
14	AP18443	NUT, 1/4 SELF THREADING, PAL	1
15	AP12000348	SECURITY PLATE COIN CUP	12
16	4325088	TRIM - SIDE - ACCESS PANEL - BLACK	4
17	4321168	SCREW-#6-19 X .31 PHIL.PHS.T/C	1
18	9900081	NUT #8-32 KEPS ZINC PLATE	4
19	4325152	PANEL-SIDE-MONETARY	1
20	4325194	SLIDE-HD, MONETARY PANEL ASSY	1
21	4245186	SCREW-#8 32 X 1/4 PHS-T/F	1
22	4325161	BRKT-MONE-COVER LWR	2
23	4325181	COVER-MONETARY-HARNESS	1
24	4741050	SCREW-#8-32 X .50 HX.HD.-T/F-B	8
25	4325193	PRICE DISPLAY ASSEMBLY	1
26	4325070	INSERT-LENS-DISPLAY	9

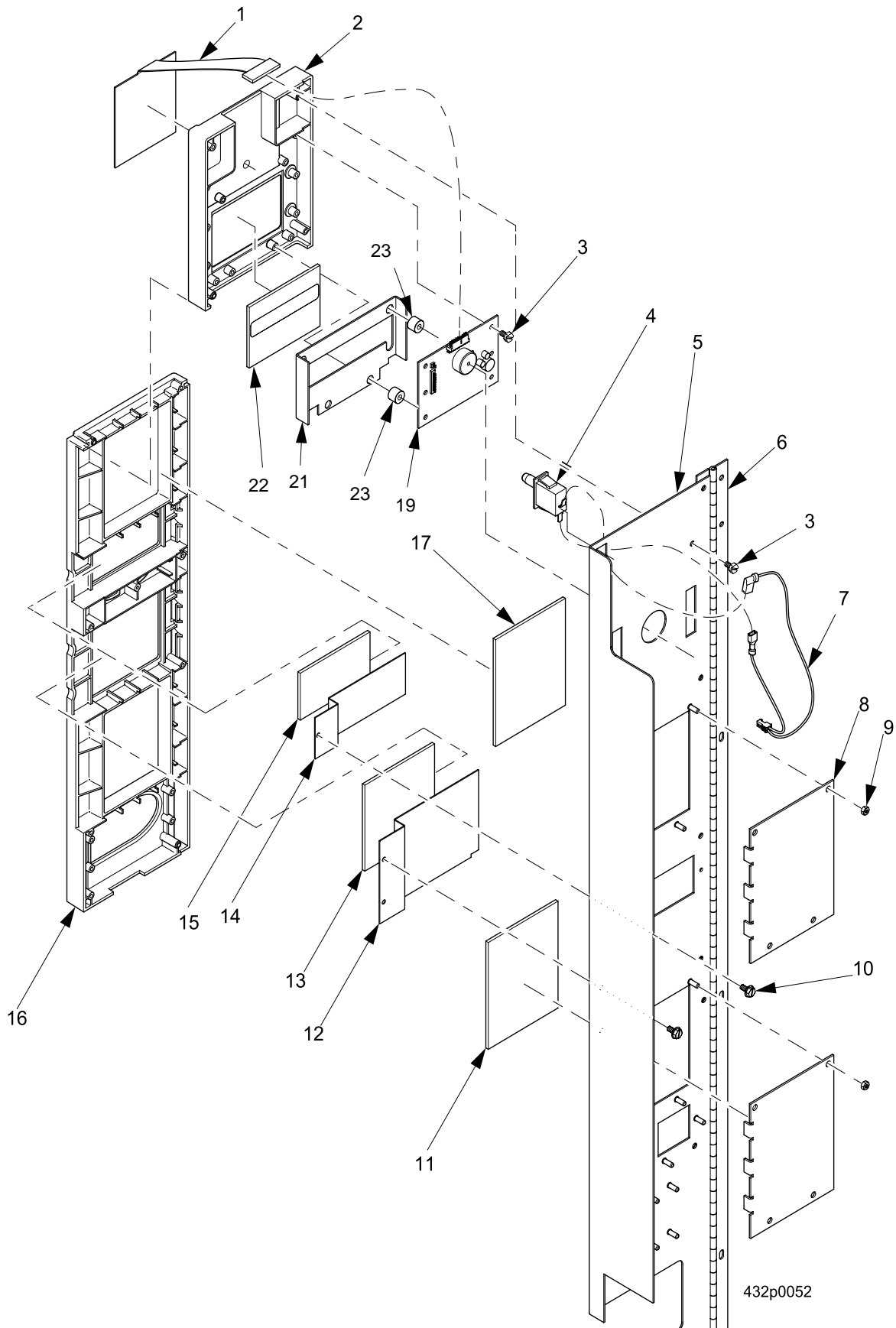


FIGURE 28: INTERIOR MONETARY PANEL

TABLE 28: INTERIOR MONETARY PANEL

INDEX	PART NUMBER	DESCRIPTION	QTY
1	6335002	SERVICE KEYPAD ASSEMBLY	1
2	4325083	SELECTION PANEL-TOP	1
3	1437204	SCREW 8-10 X .38 HEX HD TF	12
4	6111041	SWITCH SERVICE LIGHT 1DM2	1
5	4325164	WELD ASSY-MONETARY PANEL	--
6	4325004	HINGE-MONETARY PANEL (REF. ONLY)	1
7	1579009	JUMPER-MONETARY DOOR SWITCH	1
8	4325075	PLATE-FILLER	1
9	9900081	NUT #8-32 X .50 KEPS ZINC	8
10	1451097	SCREW-#8-32X.31 HEX HD.TF-BLK.	3
11	1575076	INSERT-INSTR-LOWER-BLANK (IF EQUIPPED)	1
12	4325091	PLATE-BACKING-LOWER-REMOVABLE	1
13	4325138	INSERT INSTR.-LOWER(DOMESTIC)	1
14	4325077	PLATE-BACKING-UPPER-REMOVABLE	1
15	4325072	INSERT INSTR.-UPPER(DOMESTIC)	1
16	4325052	SELECTION PANEL-BOTTOM	1
17	9625015	POS WINDOW	1
18	9625016	POS INSERT	1
19	4322175	PCB ASSEMBLY-DISPLAY	1
20	1302289	SPACER - CUP	2
21	4325084	RETAINER-DISPLAY LENS-NORITAKE	1
22	4325034	INSERT-DISPLAY	1
23	4325107	SPACER DISPLAY	4

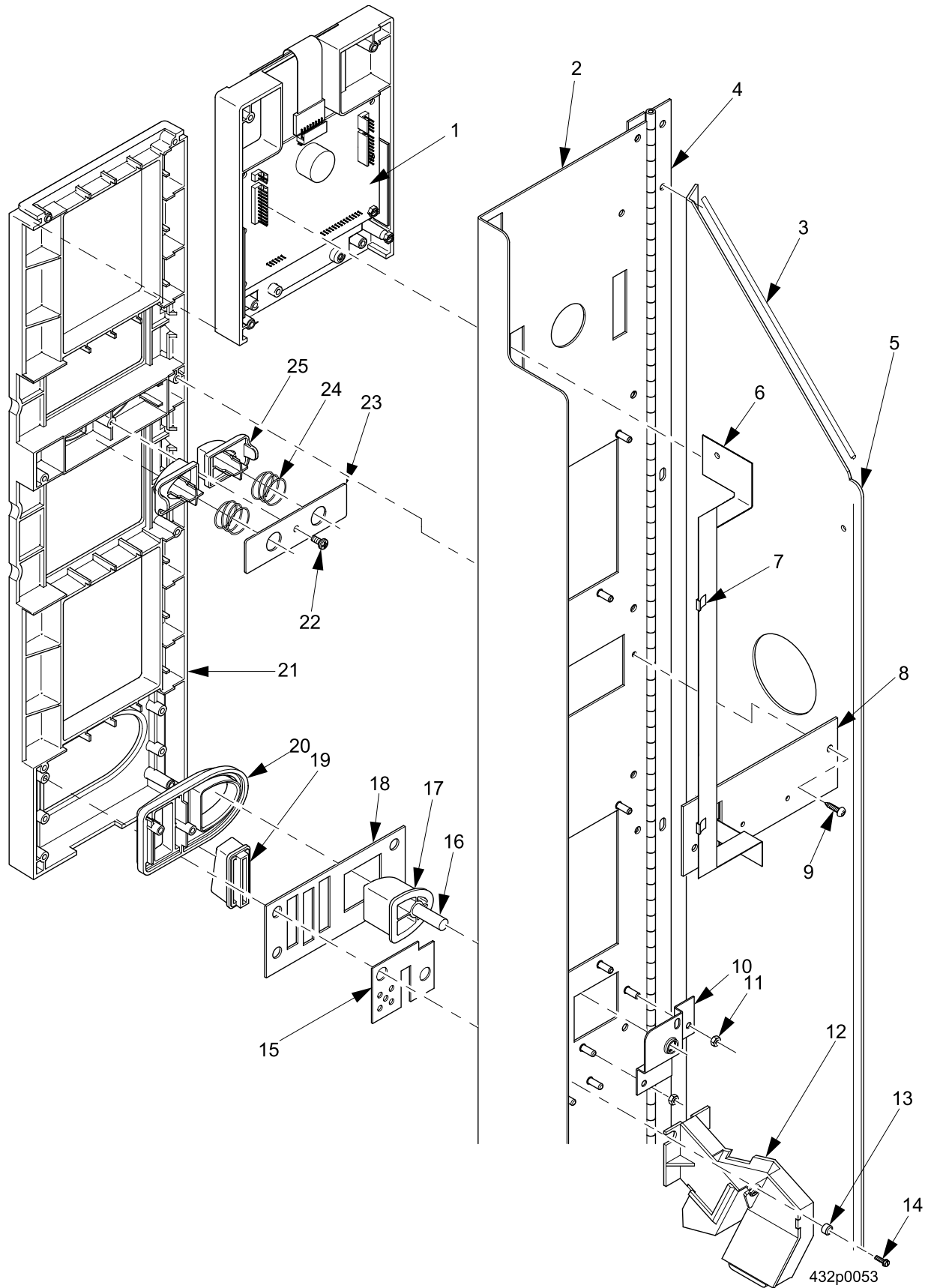
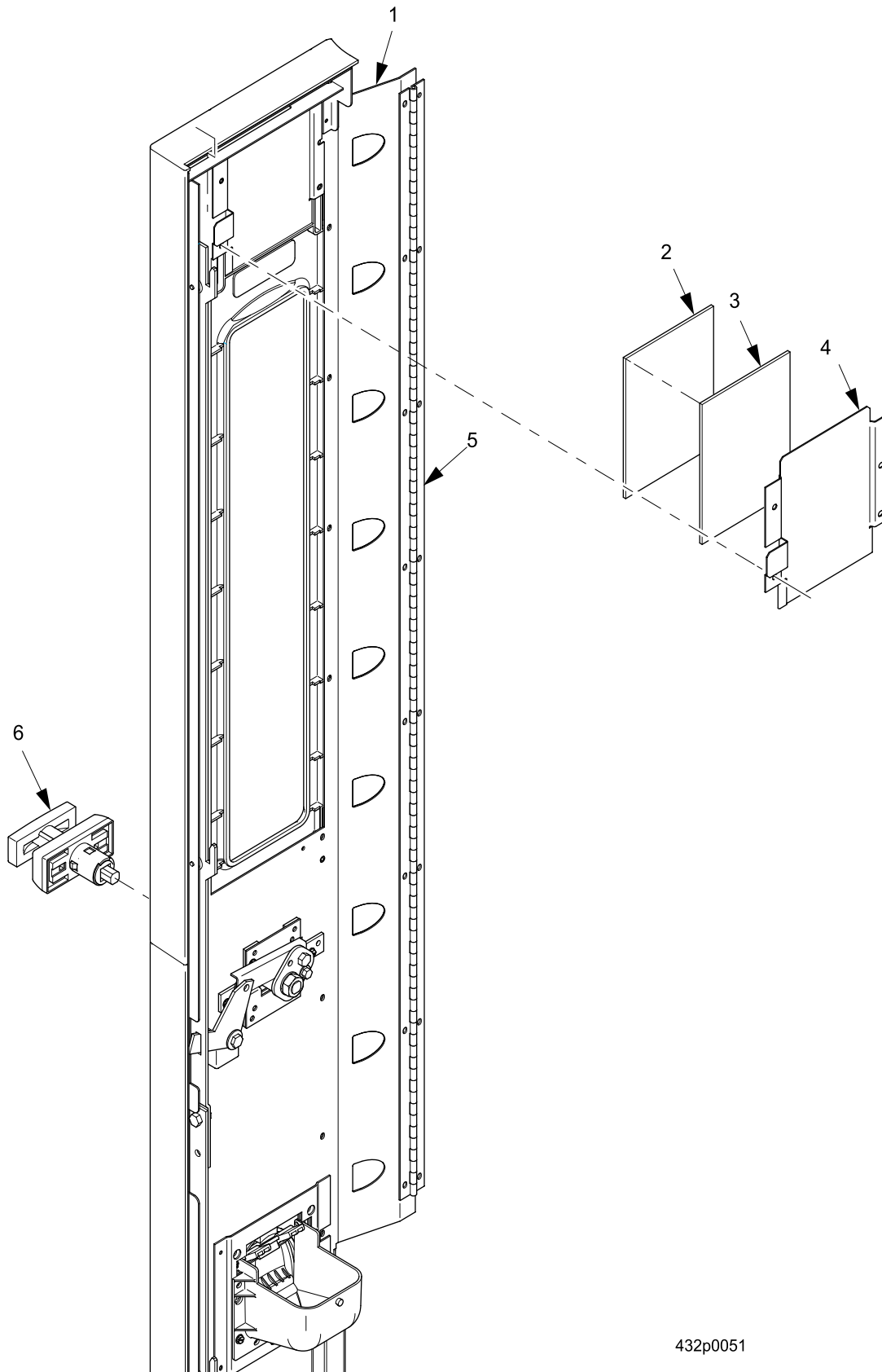


FIGURE 29: UPPER MONETARY - EXTERIOR

TABLE 29: UPPER MONETARY - EXTERIOR

INDEX	PART NUMBER	DESCRIPTION	QTY
1	4322175	PCB ASSEMBLY-DISPLAY	1
2	4325164	WELD ASSY-MONETARY PANEL	1
3	4272060	PRODUCT GUIDE EDGE TRIM	1
4	4325004	HINGE-MONETARY PANEL (REF ONLY)	1
5	4325152	PANEL-SIDE, MONETARY	1
6	4325142	SWITCH-MEMBRANE, TURRET DIRECT.	1
7	4302166	CABLE CLIP	2
8	4325071	PLATE-BACKING-MEMBRANE-SWITCH	1
9	9900160	SCREW-#8-18 X 1/2"PHIL.PAN HD.	2
10	4325050	BRACKET-COIN RETURN	1
11	9900081	NUT #8-32 KEPS ZINC PLATE	2
12	1575003	COIN CHUTE ASSEMBLY	1
13	1302289	SPACER-CUP	2
14	3128092	SCREW-HILO-7-19 X 3/8 HEX WASH	2
15	1671041	COIN BLOCK-50 CENTS	1
16	4325173	SHAFT-RETURN BUTTON	1
17	4325061	BUTTON-COIN RETURN	1
18	4325082	PANEL-BACKUP-MONETARY	1
19	4325062	INSERT-COIN	1
20	4325063	BEZEL-COIN INSERT	1
21	4325052	SEL.PANEL-BOTTOM-MONETARY	1
22	4321168	SCREW-#6-19 X .31 PHIL.PHS.T/C	1
23	4325089	RETAINER-DIRECTION-BUTTONS	1
24	1572224	SPRING-PUSH BUTTON	2
25	4325033	BUTTON-TURRET	2



432p0051

FIGURE 30: EXTERIOR MONETARY PANEL

TABLE 30: EXTERIOR MONETARY PANEL

INDEX	PART NUMBER	DESCRIPTION	QTY
1	4325170	WELD ASSEMBLY - ACCESS PANEL	1
2	4325124	LENS-UPPER POP	1
3	4325155	INSERT-INSTR.-UPPER-SUREVEND	1
4	4325168	PLATE - BACKUP - UPPER TOP	1
5	4325004	HINGE-MONETARY PANEL(REF ONLY)	1
6	4322113	LOCK ASSY-"T"	1

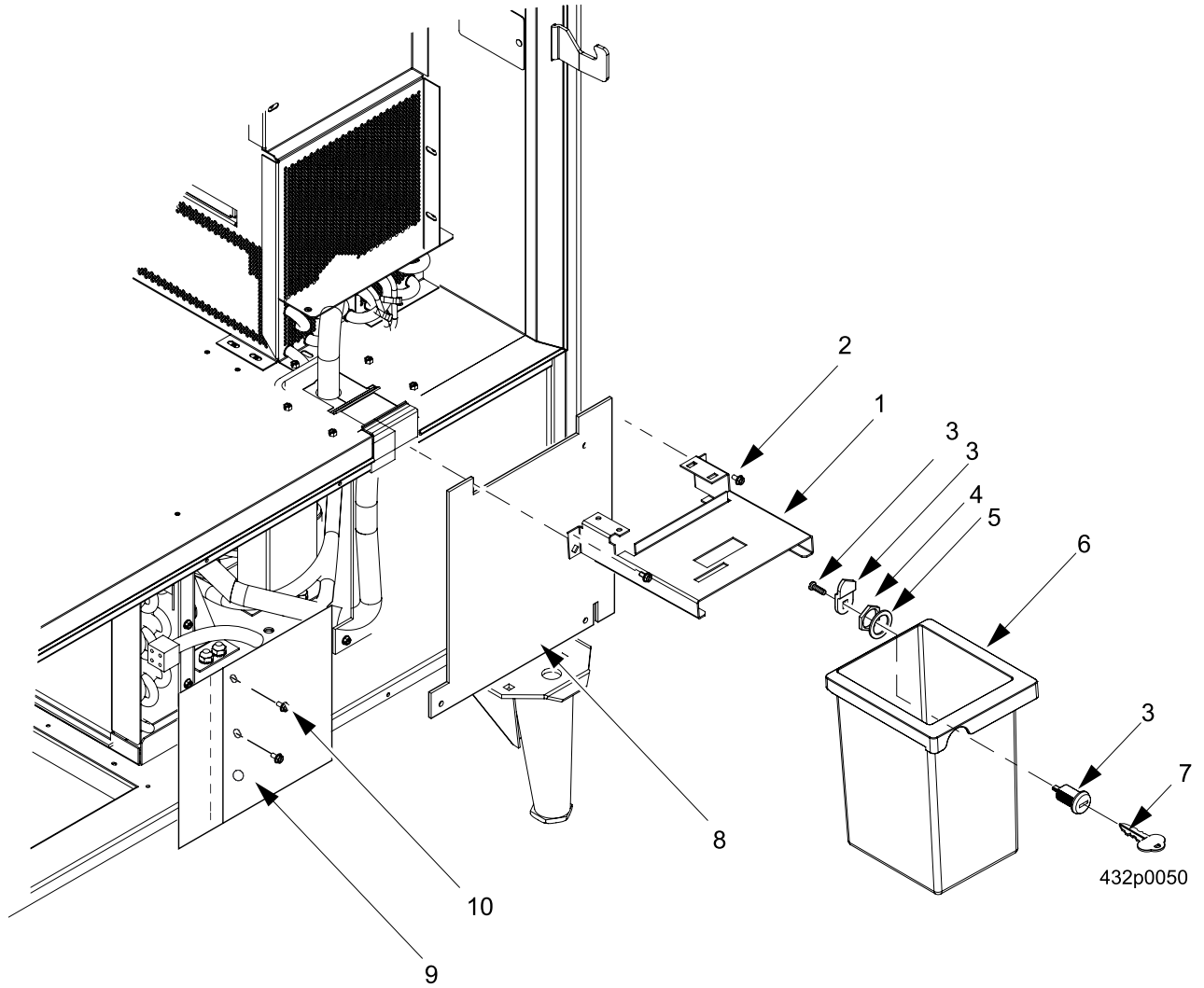
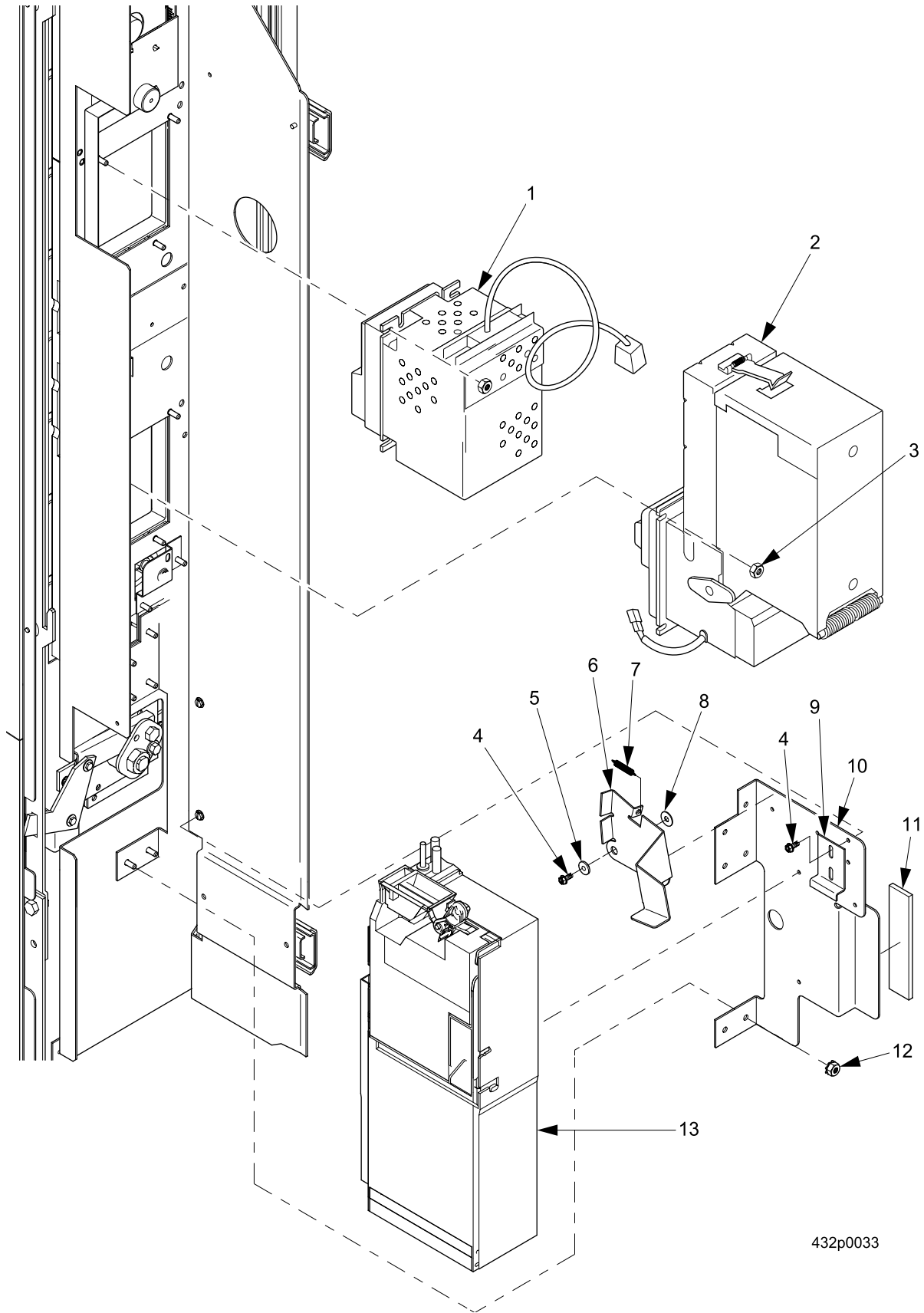


FIGURE 31: COIN BOX ASSY

TABLE 31: COIN BOX ASSEMBLY

INDEX	PART NUMBER	DESCRIPTION	QTY
1	4321229	MOUNT-COIN BOX	1
2	1451097	SCREW-#8-32X.31 HEX HD.TF-	5
--	1470761	MONEY BOX LOCK (ITEMS 4-6, 9)	--
3	1101906	MONEY BOX LOCK- #1801, KA NV 407	1
4	2222603	NUT-LOCK RETAINING	1
5	2222604	WASHER-LOCK BARREL #2693	1
6	4321228	COIN BOX	1
7	2221920	KEY-CHICAGO LK-#1801 NV407, KB	1
8	4324043	PLASTIC CARDBOARD AIR BLOCK	1
9	4324047	COVER-POWER PANEL	1
10	1451097	SCREW-#8-32X.31 HEX HD.TF-	2



432p0033

FIGURE 32: MONETARY OPTIONS & INTERIOR MONETARY PANEL

TABLE 32: MONETARY OPTIONS & INTERIOR MONETARY PANEL

INDEX	PART NUMBER	DESCRIPTION	QTY
1	--	CARD READER	OPT
2	5900303	VALIDATOR - COINCO BP4SX	1
	5900210	VALIDATOR MARS - VN2512 - U5M/500	
	5900247	VALIDATOR MARS AE2612 - U5M **MDB** SS 4	
3	9900081	NUT #8-32 KEPS ZINC PLATE	8
4	9900106	SCREW #8-32 X 3/8 ACORN HEX HD	6
5	2228011	SPACER-RELEASE ARM	1
6	1571113	ARM-SCAVENGER	1
7	1127808	SPRING-SHELF RESET	1
8	2204093	WASHER-SCAVENGER BAR	1
9	6231037	CLAMP-CABLE	1
10	4325005	BRACKET-COIN MECH.	1
11	3122056	MAGNET-RETAINR-COIN CHANGER KB	1
12	9900081	NUT #8-32 KEPS ZINC PLATE	14
13	5900213	COIN UNIT - COINCO - 9302GX MDB	1
	5900313	COINCO VORTEX - 3 TUBE	
	5900269	COINCO USQ - G701 - MDB - 4 TUBE	
	5900270	COINCO USQ - G702 MDB - 4 TUBE	
	5900299	COINCO USQ - G712 MDB - 4 TUBE	
	5900243	COIN UNIT - TRC6512, 1195500, CNSN	
	5900311	MARS CASH FLOW7512,5,5,10,25,\$	
	5900312	MARS CASH FLOW7512,5,10,25,\$,\$	
	5900310	MARS CASH FLOW7512,5,5,10,25,25	
	5900307	MARS CASH FLOW7512,1N,1D,2Q,1\$	

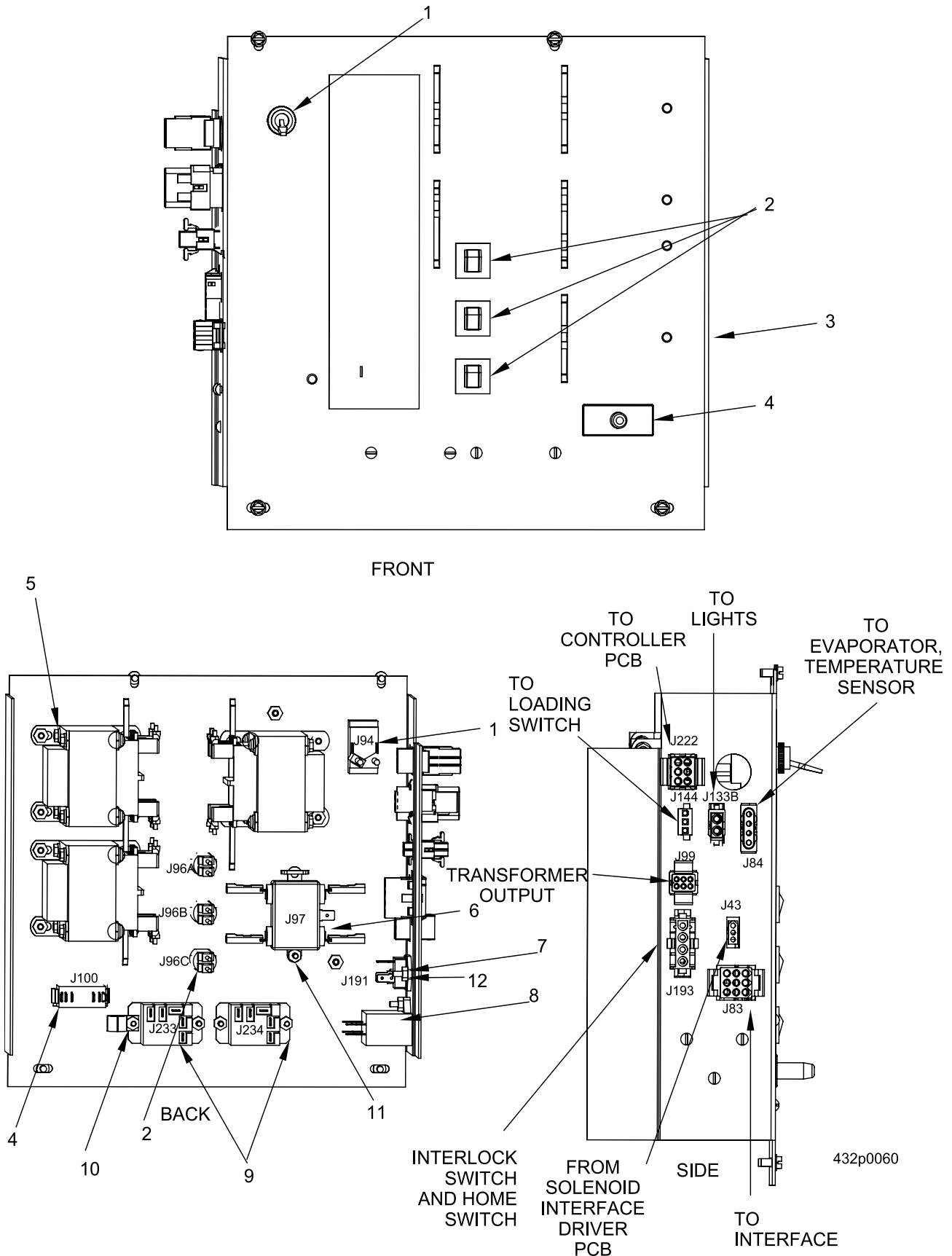
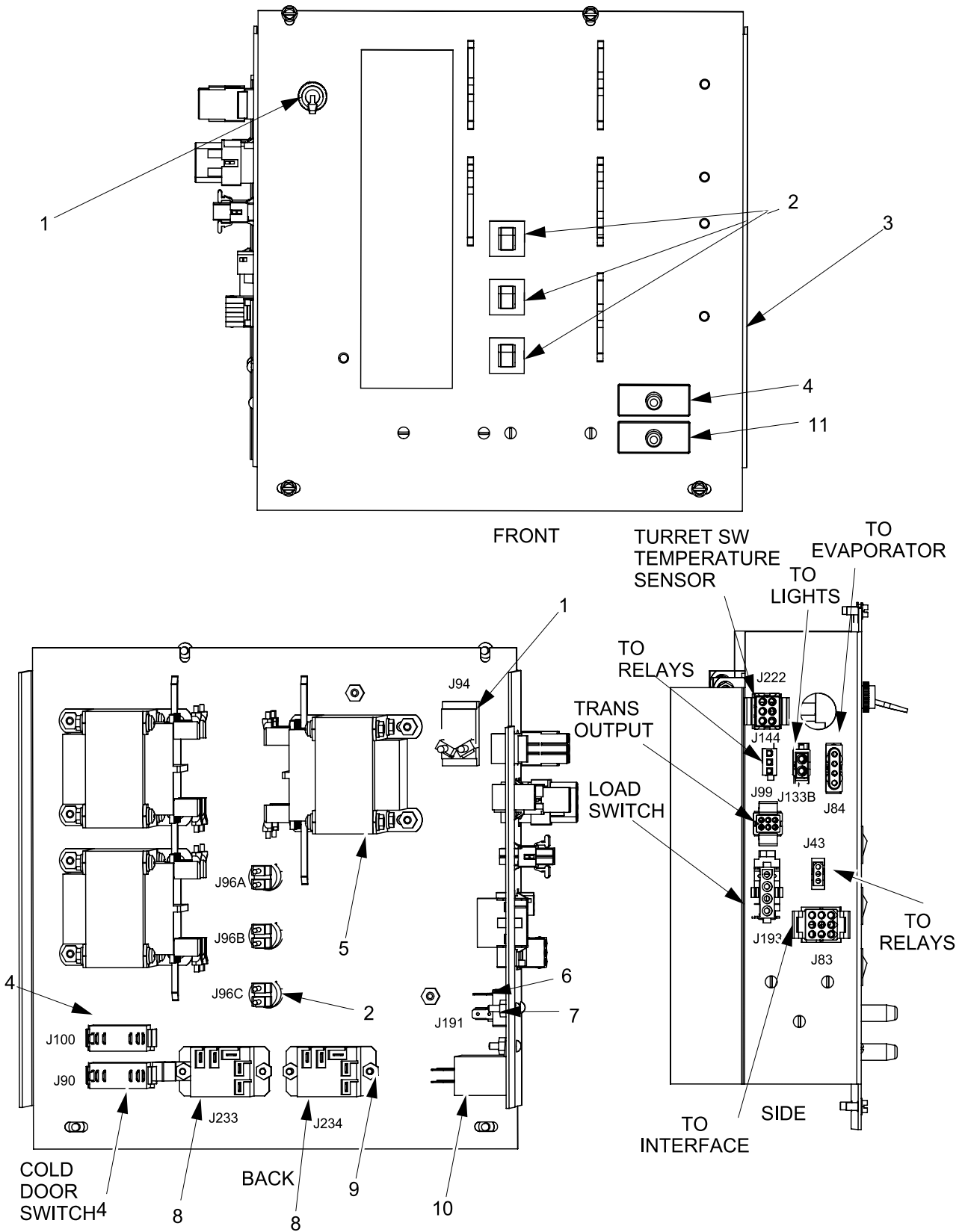


FIGURE 33: POWER PANEL ASSEMBLY - DOMESTIC (115V)

TABLE 33: POWER PANEL ASSEMBLY - DOMESTIC (115V)

INDEX	PART NUMBER	DESCRIPTION	QTY
--	4321250	POWER PANEL ASSEMBLY - DOMESTIC	--
1	9984629	SWITCH - TOGGLE - DPST - 20AMP	1
2	9989674	CIRCUIT BREAKER - 4 AMP	3
3	4321131	PANEL - POWER - FRONT - DOMESTIC	1
4	1211141	SWITCH	1
5	9989046	24V XFMR-DUAL PIR.-.187 TERM.	3
6	9989100	INTERFERENCE FILTER	1
7	9983778	TRIAC - 35A - 600V	1
8	9988210	CAPACITOR-MOTOR RUN-10UF	1
9	9989677	RELAY - SPDT 24VDC - PANEL MOUNT	2
10	9900078	NUT #6-32 KEPS ZINC PLATE	6
11	9900081	NUT #8-32 KEPS ZINC PLATE	2
12	1211109	6-32X9/16 PHS MACH SCR ZP	6

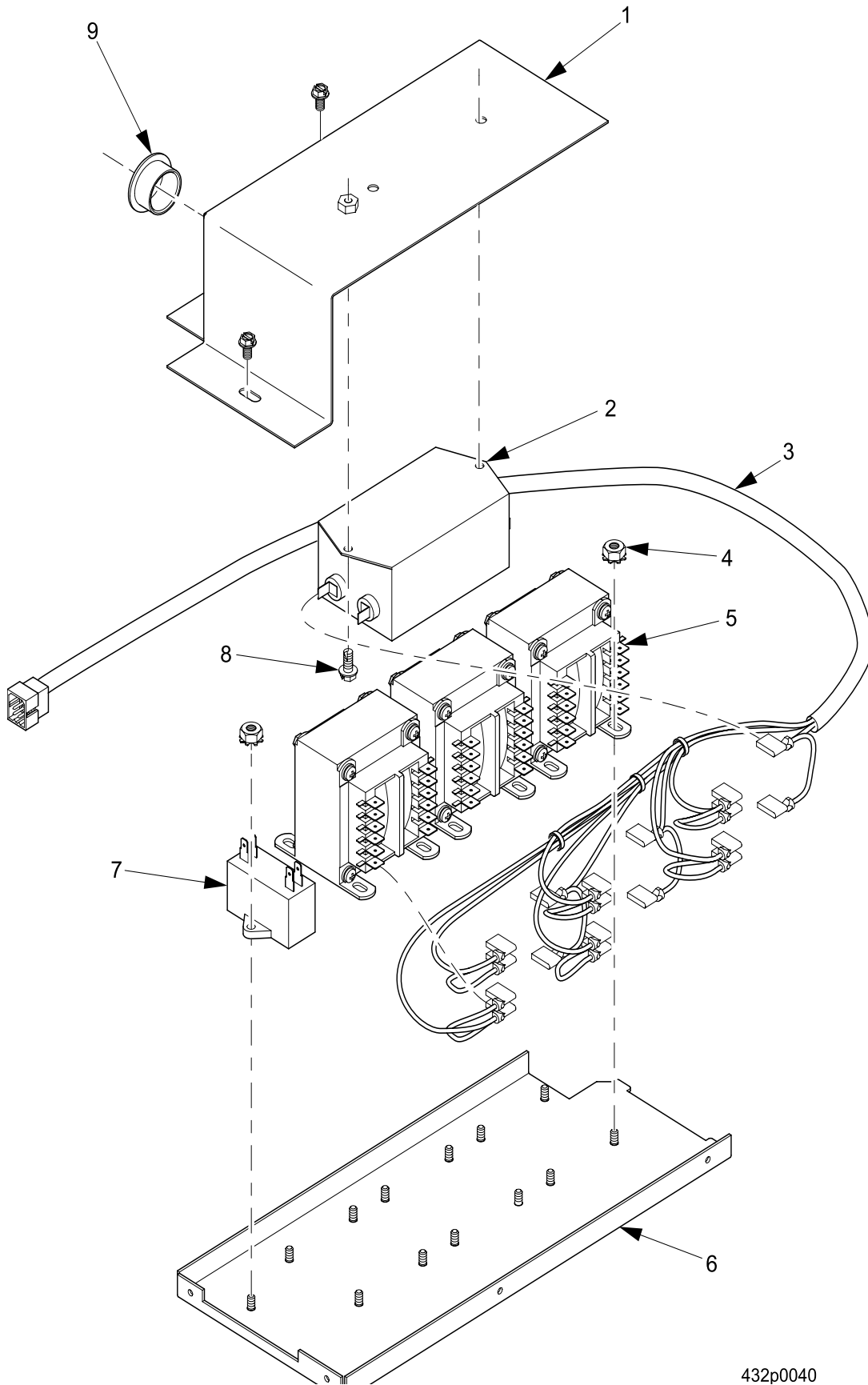


432p0039

FIGURE 34: POWER PANEL ASSEMBLY - INTERNATIONAL (230V)

TABLE 34: POWER PANEL ASSEMBLY - INTERNATIONAL (230V)

INDEX	PART NUMBER	DESCRIPTION	QTY
--	4321213	POWER PANEL ASSEMBLY - FRONT - INTERNATIONAL (230V)	--
1	9984629	SWITCH - TOGGLE - DPST - 20AMP	1
2	9989674	CIRCUIT BREAKER - 4 AMP	3
3	4321194	POWER PANEL FRONT INTERNATIONAL(230V)	1
4	2366135	SWITCH - INTERLOCK	1
5	9900081	NUT #8-32 KEPS ZINC PLATE	2
6	9983778	TRIAC - 35A - 600V	1
7	1211109	6-32X9/16 PHS MACH SCR ZP	6
8	9989677	RELAY - SPDT 24VDC - PANEL MOUNT	2
9	9900078	NUT #6-32 KEPS ZINC PLATE	6
10	9988211	CAPACITOR-MOTOR RUN-2.5UF	1
11	1211141	SWITCH	1



432p0040
FIGURE 35: POWER PANEL ASSEMBLY - REAR - INTERNATIONAL - (230V)

TABLE 35: POWER PANEL ASSEMBLY - REAR - INTERNATIONAL (230V)

INDEX	PART NUMBER	DESCRIPTION	QTY
--	4321176	POWER PANEL ASSEMBLY - REAR	--
1	4321218	COVER-CONTROL-POWER-REAR	1
2	9989120	FILTER-POWER LINE-EMI	1
3	4329005	HARNESS - TRANSFORMERS	1
4	9900081	NUT #8-32 KEPS ZINC PLATE	15
5	9989046	24V XFMR - DUAL PIR. - .187 TERM	3
6	4321130	PANEL - CONTROL - POWER	1
7	9988211	CAPACITOR - MOTOR RUN - 2.5UF	1
8	9900019	SCREW - #8-32 X 3/8 RHS	4
9	3106155	BUSHING #SB1000-12	1

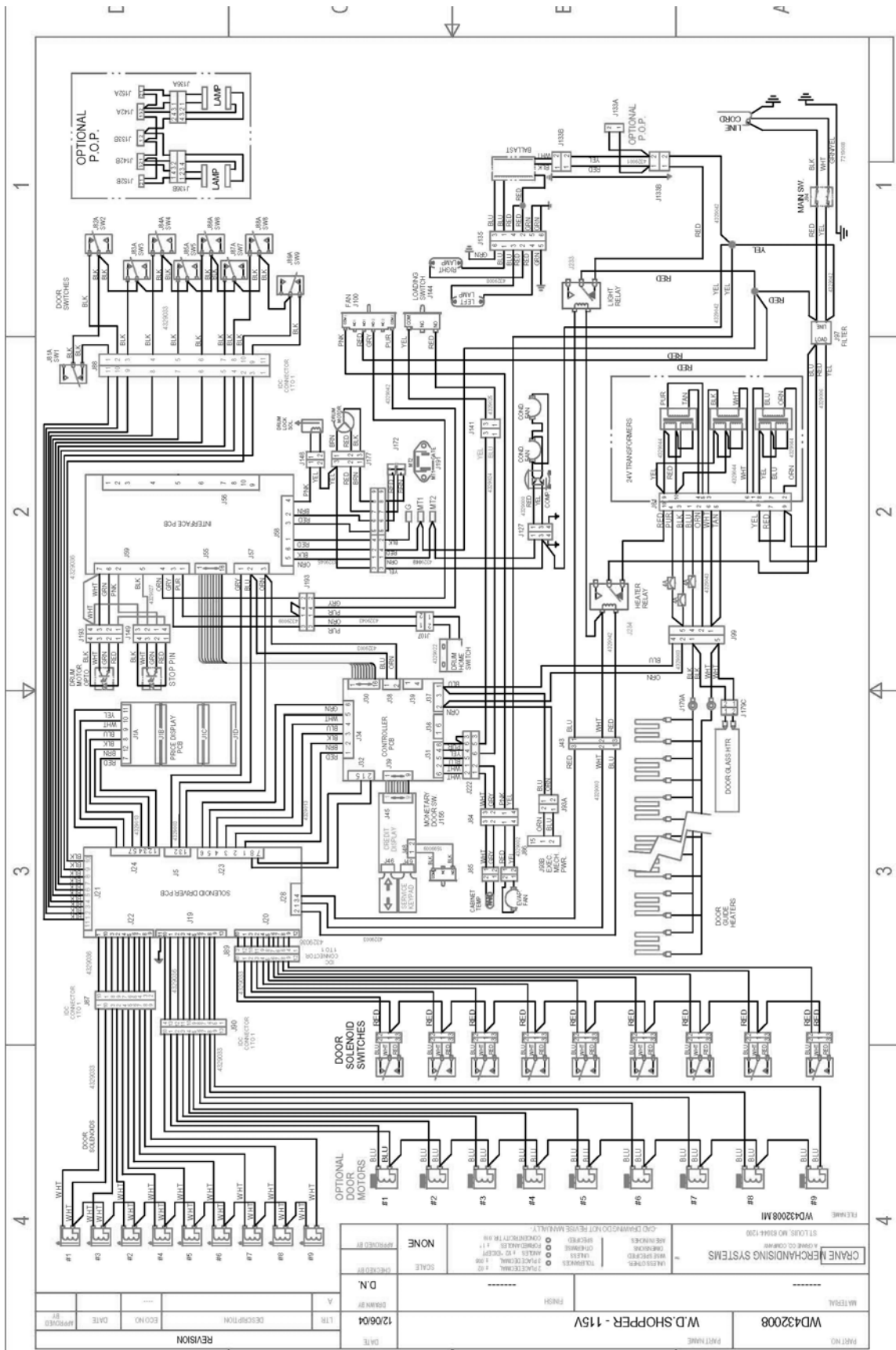


FIGURE 36: SHOPPER WIRING DIAGRAM - DOMESTIC - (115V)

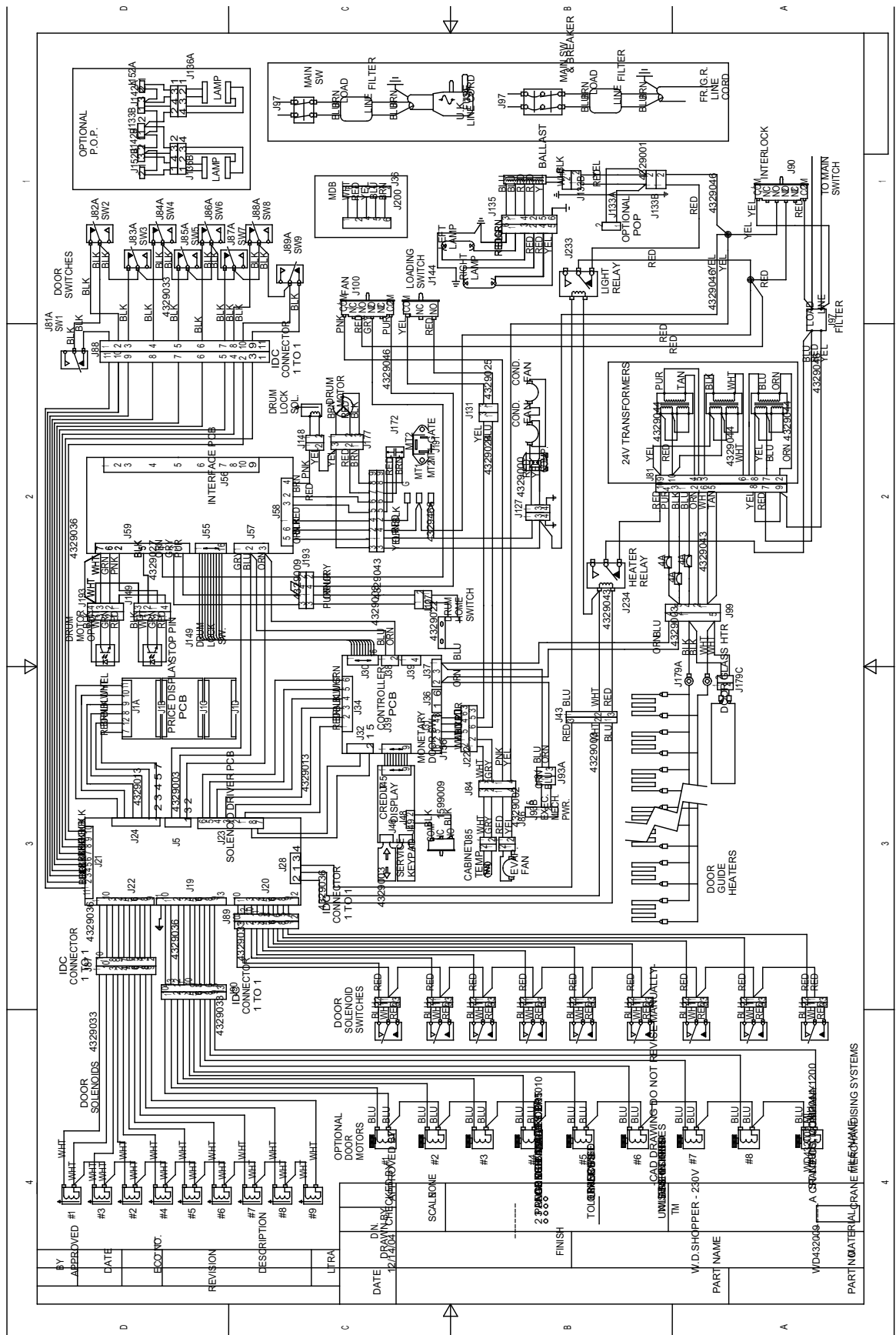


FIGURE 37: SHOPPER WIRING DIAGRAM - INTERNATIONAL - (230V)

TABLE 36: 432 HARNESS LIST

PART NUMBER	DESCRIPTION
1579009	JUMPER - MONETARY DOOR SWITCH
1579018	HARNESS - DATA PRINTER INTERFACE
1599200	HARNESS - CONTROL TO DISPLAY
1679005	FLUORESCENT LIGHT FILTER - 120/230V
1679054	HARNESS - "MDB" COIN & VALIDATOR
1679056	HARNESS - DEX INTERFACE
4279001	JUMPER - 230V - XFMR PRIMARY
4329000	HARNESS - COMPRESSOR
4329001	HARNESS - LAMP TO POWER PANEL
4329003	HARNESS - POWER PANEL TO PCB
4329005	HARNESS - TRANSFORMERS
4329006	HARNESS - POWER PANEL
4329008	HARNESS - LAMP TO BALLAST
4329027	HARNESS - CABINET DC
4329010	HARNESS - POP - BALLAST (NOT SHOWN)
4329012	HARNESS - DOOR AC
4329013	HARNESS - PRICE DISPLAY
4329015	HARNESS - POWER PANEL - 230V
4329018	HARNESS - 24V TEMP & SWITCH
4329019	HARNESS - POP LAMP
4329058	HARNESS-EVAP FAN & TEMP
4329025	HARNESS - TURRET SWITCH
4329032	CABLE ASSEMBLY - 16 CONDUCTOR
4329047	HARNESS - VEND DOOR
4329048	JUMPER-SWITCH & SOLENOIDS
7219018	HARNESS - POWER CORD TO PANEL

TABLE 37: BAG ASSEMBLY: 15 - B4320000 (115V)

PART NUMBER	DESCRIPTION	QTY
WD432008	WIRING DIAGRAM - 432 SHOPPER - (115V)	1
1470041	PLASTIC BAG	1
1475094	LABEL - INSTRUCTIONS - ALT \$1 & \$5 - EXT	1
4320003	OPERATORS GUIDE - SHOPPERTRON	1
4321168	SCREW-#6-19 X .31 TMPR.PRF EA	4
4329011	LIST - WIRE HARNESSSES	1
4322286	STOP - VEND-DOOR	4

TABLE 38: BAG ASSEMBLY: 15 - B4320001 (230V)

PART NUMBER	DESCRIPTION	QTY
WD432009	W.D. - 432 SHOPPER - (230V)	1
1470041	PLASTIC BAG	1
1475094	LABEL - INSTRUCTIONS - ALT \$1 & \$5 - EXT	1
4320003	OPERATORS GUIDE - SHOPPERTRON	1
4321168	SCREW-#6-19 X .31 TMPR.PRF EA	4
4329011	LIST - WIRE HARNESSSES	1
4322226	STOP - VEND-DOOR	4
1575083	COIN CHUTE & BRACKET ASSEMBLY	1
1575086	INSTR.SHEET-COIN CHUTE & BRKT.	1

Terms and Conditions of Sale

LIMITED WARRANTY: Subject to the limitation specified herein, all parts included on original equipment manufactured by CRANE MERCHANDISING SYSTEMS and sold to purchaser are warranted for two (2) years from the date of shipment of the equipment in question. This warranty applies only to the original purchaser of the Merchandiser and is null and void if the Merchandiser is sold during the period of warranty.

Defective parts will be repaired or replaced free of charge when the defective part is returned, with transportation charges prepaid by purchaser, to a destination designated by CRANE MERCHANDISING SYSTEMS.

This warranty does not include any cost of service rendered or repairs made by customer or its agents on Merchandiser, or parts, unless authorization to incur such expense has been given in writing by CRANE MERCHANDISING SYSTEMS prior to incurring such expense. This warranty covers labor and service charges performed by CRANE MERCHANDISING SYSTEMS service technicians for the first 90 days of ownership from date of shipment.

This warranty does not apply to A) electrical components, wiring, or circuits or mechanical parts or assemblies damaged as a result of operating the Merchandiser at other than the design voltage and frequency specified on the Electrical Rating Tag, or B) in event of vandalism, fire or negligence, or C) incandescent lamps, neon lamps, fluorescent lamps, ballasts, starters or other expendable items, or D) when seal is broken on electronic boards, or E) when other manufactured components are installed in CRANE MERCHANDISING SYSTEMS Merchandisers.

Replacement parts sold by CRANE MERCHANDISING SYSTEMS as After Market shall be covered for three months from the date shown on the parts invoice. Purchaser must obtain prior RETURN AUTHORIZATION for return of all parts, following guidelines given by CRANE MERCHANDISING SYSTEMS. New, unused parts purchased as After Market can be returned within 30 days from date of parts invoice, with prior authorization from CRANE MERCHANDISING SYSTEMS.

THIS WARRANTY IS IN LIEU OF ALL OTHER WARRANTIES EXPRESS OR IMPLIED, INCLUDING WITHOUT LIMITATION, WARRANTIES OF MERCHANTABILITY OF FITNESS FOR A PARTICULAR PURPOSE. CRANE MERCHANDISING SYSTEMS SHALL NOT BE RESPONSIBLE FOR CONSEQUENTIAL OR PUNITIVE DAMAGES. CRANE MERCHANDISING SYSTEMS neither assumes nor authorizes any person to assume for it any obligation or liability in connection with the sale of said equipment or any part thereof.

