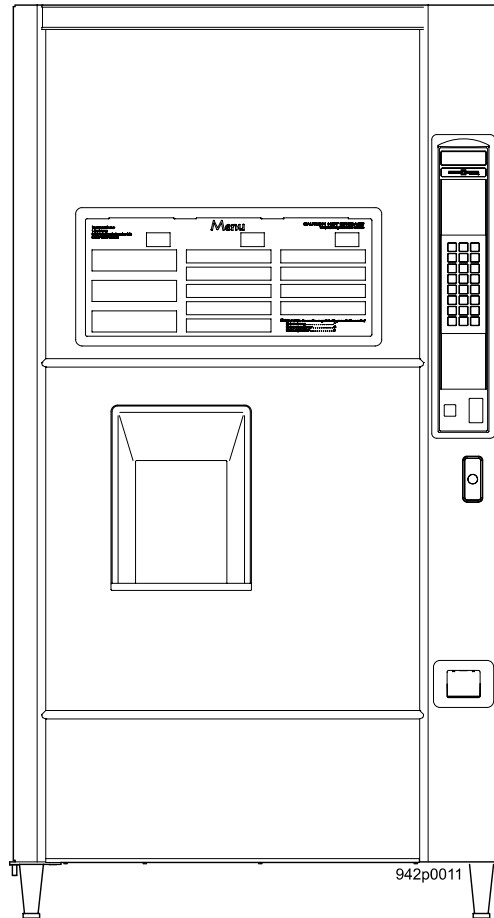


9421001

Model 942, 943, 944

Cafforia



Parts Manual

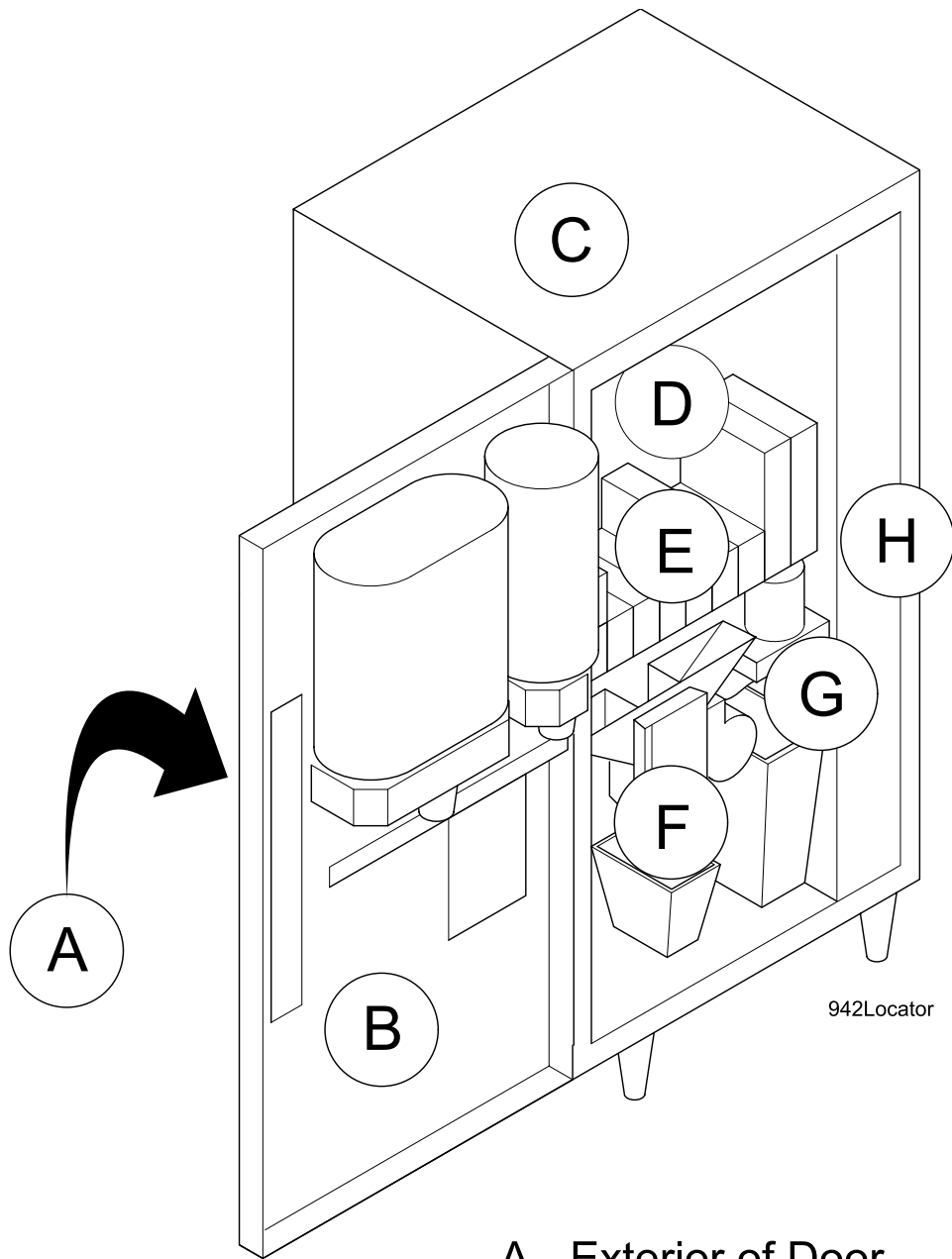
AUTOMATIC PRODUCTS
A Crane Co. Company

165 Bridgepoint Dr.
South Saint Paul, MN 55075
www.AutomaticProducts.com

Copyright© 04-07

9421001

0908



- A - Exterior of Door
- B - Interior of Door
- C - Cabinet
- D - Water Tank, Water Filters
- E - Product Canisters
- F - Cup Station
- G - Brewer
- H - Monetary

List of Figures

Section A:	Exterior of Door	
Figure 1:	Door and Trim Panels.....	2
Section B:	Interior of Door	
Figure 2:	Interior of Door (1 of 2)	4
Figure 3:	Interior of Door (2 of 2)	6
Figure 4:	Menu Panel Inserts.....	8
Figure 5:	Lockbar Assembly	10
Figure 6:	Door Lock Parts.....	12
Figure 7:	Coin Return Cup Parts.....	14
Figure 8:	Cup Canisters and Cup Mechanism Assembly	16
Figure 9:	Cup Canisters and Cup Mechanisms for 12 thru 20 OZ Cups	18
Figure 10:	Turret and Canister Assembly - 4 Column for 12 Thru 20 OZ Cups.....	20
Figure 11:	Turret and Canister Assembly - 7 Column for 12 Thru 20 OZ Cups.....	22
Figure 12:	Cup Mechanism Assembly - 4 Column for 12 Thru 20 OZ Cups.....	24
Figure 13:	Cup Mechanism Assembly - 7 Column for 12 Thru 20 OZ Cups.....	26
Figure 14:	Mechanism Assembly - 11 Column for 7 thru 12 OZ Cups	28
Figure 15:	Cup Ring Assembly	30
Figure 16:	Actuator Assembly - Cup Ring.....	32
Figure 17:	Mounting Bracket Assembly - Right.....	34
Figure 18:	Manual Door	36
Figure 19:	Auto Door	38
Section C:	Cabinet	
Figure 20:	Cabinet Miscellaneous Parts	40
Figure 21:	Door Hinge Assembly - Upper and Lower	42
Figure 22:	Leg Assembly	44
Figure 23:	Cabinet Service - Light Bracket Assembly.....	46
Figure 24:	Overflow Switch Assembly	48
Section D:	Water Tank, Water Filters	
Figure 25:	Hot Water Valve Assembly - 115V	50
Figure 26:	Water Tank Assembly.....	52
Figure 27:	Water Tank - Lid Assembly.....	54
Figure 28:	Filter and Head Assembly - Hydro Life 115V.....	56
Figure 29:	Filter Head Assembly - Everpure 115V	58
Figure 30:	Filter Head Assembly - Cuno 115V	60
Figure 31:	Bracket and Valve Assembly	62
Figure 32:	Heater Assembly - 115V / 50W (Optional).....	64
Section E:	Product Canisters	
Figure 33:	Canister Support Assembly - Dual Grinder.....	66
Figure 34:	Canister Support Assembly - Dual/Fresh Brewed w/ 7th Product	68
Figure 35:	Canister Support Assembly - Freeze Dried with 7th Product	70
Figure 36:	Canister Support Assembly - Single Fresh Brewed w/ 7th Product.....	72
Figure 37:	Canister Support Assembly - Single Fresh Brewed w/ 6th Product.....	74
Figure 38:	Canister Motor - Location	76

List of Figures (continued)

Section E:	Product Canisters (continued)	
Figure 39:	Canister Assemblies - Fresh Brew	78
Figure 40:	Canister Assemblies.....	80
Figure 41:	Canister Assembly - Chocolate	82
Figure 42:	Canister Assembly - Soup 6th Product.....	84
Figure 43:	Canister Assembly - Lightener	86
Figure 44:	Canister Assembly - 1 Sleeve	88
Figure 45:	Canister Assembly - Freeze Dried Coffee	90
Figure 46:	Canister Assembly - Coffee Pre-Ground	92
Figure 47:	Canister Assembly - Decaffeinated Pre-Ground	94
Figure 48:	Hopper Assembly	96
Section F:	Cup Station	
Figure 49:	Canister Support Assembly - Cup Station	98
Figure 50:	Cup Delivery Assembly For 7 thru 12 OZ Cups	100
Figure 51:	Cup Delivery Assembly For 12 thru 20 OZ Cups - Surevend.....	102
Figure 52:	Cup Delivery Station and Miscellaneous Cabinet Parts	104
Section G:	Brewer	
Figure 53:	Filter Paper and Blower Assembly	106
Figure 54:	Bracket, Blower, and Cover Assembly	108
Figure 55:	Filter Paper - Pump/Brewer Drive (Location).....	110
Figure 56:	Filter Paper Assembly	112
Figure 57:	Pump Assembly - 115V	114
Figure 58:	Brewer Drive Assembly	116
Figure 59:	Brewer Assembly with Hoses and Mixing Bowl.....	118
Figure 60:	Brewer Assembly With Filter	120
Figure 61:	Brewer Assembly Without Filter	122
Figure 62:	Gear Train Assembly.....	124
Figure 63:	Carrier and Cam Follower Assembly.....	126
Figure 64:	Idle Axle and Roller Assembly.....	128
Figure 65:	Whipper Assembly.....	130
Figure 66:	Mixing Bowl Assembly - with Cap and Spout	132
Figure 67:	Grinder Assembly	134
Section H:	Monetary	
Figure 68:	Exterior Monetary Door	136
Figure 69:	Interior Monetary Door (Part 1 of 3).....	138
Figure 70:	Interior Monetary Door (Part 2 of 3).....	140
Figure 71:	Interior Monetary Door (Part 3 of 3).....	142
Figure 72:	Power Panel Assembly - 20A.....	144
Figure 73:	Monetary - Debit Card Readers and Bill Validators.....	146
Section I:	Wiring Diagram	
Figure 74:	Wiring Diagram - Hot Beverage 115/230 Volt	151

List of Tables

Section A:	Exterior of Door	
Table 1:	Door and Trim Panels	3
Section B:	Interior of Door	
Table 2:	Interior of Door (1 of 2).....	5
Table 3:	Interior of Door (2 of 2).....	7
Table 4:	Menu Panel Inserts	9
Table 5:	Lockbar Assembly	11
Table 6:	Door Lock Parts	13
Table 7:	Coin Return Cup Parts	15
Table 8:	Cup Canisters and Cup Mechanism Assembly	17
Table 9:	Cup Canisters and Cup Mechanisms for 12 thru 20 OZ Cups	19
Table 10:	Turret and Canister Assembly - 4 Column for 12 thru 20 OZ Cups	21
Table 11:	Turret and Canister Assembly - 7 Column for 12 thru 20 OZ Cups	23
Table 12:	Cup Mechanism Assembly - 4 Column for 12 thru 20 OZ Cups	25
Table 13:	Cup Mechanism Assembly - 7 Column for 12 thru 20 OZ Cups	27
Table 14:	Mechanism Assembly - 11 Column for 7 thru 12 oz Cups	29
Table 15:	Cup Ring Assembly	31
Table 16:	Actuator Assembly - Cup Ring	33
Table 17:	Mounting Bracket Assembly - Right	35
Table 18:	Manual Door.....	37
Table 19:	Auto Door	39
Section C:	Cabinet	
Table 20:	Cabinet Miscellaneous Parts.....	41
Table 21:	Door Hinge Assembly - Upper and Lower	43
Table 22:	Leg Assembly.....	45
Table 23:	Cabinet Service - Light Bracket Assembly	47
Table 24:	Overflow Switch Assembly	49
Section D:	Water Tank, Water Filters	
Table 25:	Hot Water Valve Assembly - 115V	51
Table 26:	Water Tank Assembly	53
Table 27:	Water Tank - Lid Assembly	55
Table 28:	Filter and Head Assembly - Hydro Life 115V	57
Table 29:	Filter Head Assembly - Everpure 115V	59
Table 30:	Filter Head Assembly - Cuno 115V	61
Table 31:	Bracket and Valve Assembly	63
Table 32:	Heater Assembly - 115 / 50W (Optional).....	65
Section E:	Product Canisters	
Table 33:	Canister Support Assembly - Dual Grinder	67
Table 34:	Canister Support Assembly - Dual/Fresh Brewed w/ 7th Product.....	69
Table 35:	Canister Support Assembly - Freeze Dried with 7th Product	71
Table 36:	Canister Support Assembly - Single Fresh Brewed w/ 7th Product	73
Table 37:	Canister Support Assembly - Single Fresh Brewed w/ 6th Product	75
Table 38:	Canister Motor - Location	77
Table 39:	Canister Assemblies - Fresh Brew	79
Table 40:	Canister Assemblies	81
Table 41:	Canister Assembly - Chocolate	83
Table 42:	Canister Assembly - Soup 6th Product	85
Table 43:	Canister Assembly - Lightener	87

List of Tables (continued)

Section E:	Product Canisters (continued)	
Table 44:	Canister Assembly - 1 Sleeve	89
Table 45:	Canister Assembly - Freeze Dried Coffee	91
Table 46:	Canister Assembly - Coffee Pre-Ground	93
Table 47:	Canister Assembly - Decaffeinated Pre-Ground	95
Table 48:	Hopper Assembly	97
Section F:	Cup Station	
Table 49:	Canister Support Assembly - Cup Station	99
Table 50:	Cup Delivery Assembly For 7 thru 12 OZ Cups	101
Table 51:	Cup Delivery Assembly For 12 Thru 20 OZ Cups - Surevend	103
Table 52:	Cup Delivery Station and Miscellaneous Cabinet Parts	105
Section G:	Brewer	
Table 53:	Filter paper and Blower Assembly.....	107
Table 54:	Bracket, Blower, and Cover Assembly	109
Table 55:	Filter Paper - Pump/Brewer Drive (Location)	111
Table 56:	Filter Paper Assembly	113
Table 57:	Pump Assembly - 115V	115
Table 58:	Brewer Drive Assembly	117
Table 59:	Brewer Assembly with Hoses and Mixing Bowl.....	119
Table 60:	Brewer Assembly With Filter	121
Table 61:	Brewer Assembly Without Filter	123
Table 62:	Gear Train Assembly.....	125
Table 63:	Carrier and Cam Follower Assembly.....	127
Table 64:	Idle Axle and Roller Assembly.....	129
Table 65:	Whipper Assembly	131
Table 66:	Mixing Bowl Assembly - with Cap and Spout	133
Table 67:	Grinder Assembly	135
Section H:	Monetary	
Table 68:	Exterior Monetary Door	137
Table 69:	Interior Monetary Door (Part 1 of 3)	139
Table 70:	Interior Monetary Door (Part 2 of 3)	141
Table 71:	Interior Monetary Door (Part 3 of 3)	143
Table 72:	Power Panel Assembly - 20A.....	145
Table 73A:	Monetary - Debit Card Readers and Bill Validators.....	147
Table 73B:	Monetary Location Options	147
Table 73C:	Card Reader Options	148
Table 73D:	Bill Validator Options	148
Table 73E:	Coin Mechanism Options	149
Table 74:	Bag Assembly	149
Section I:	Wiring Diagram	
Table 75A:	Wiring Diagram - Hot Beverage 115/230 Volt	152
Table 75B:	J Connections.....	152

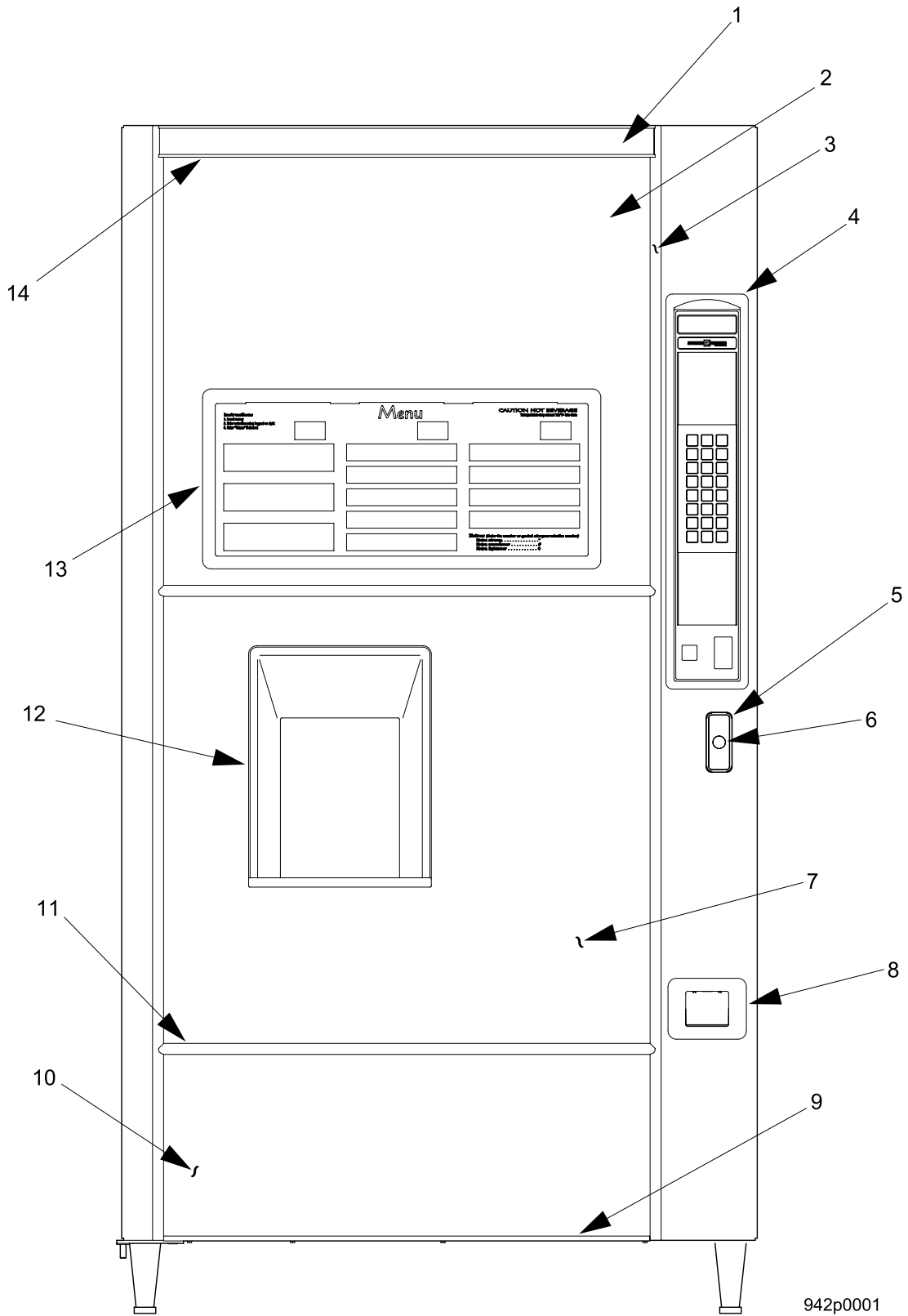
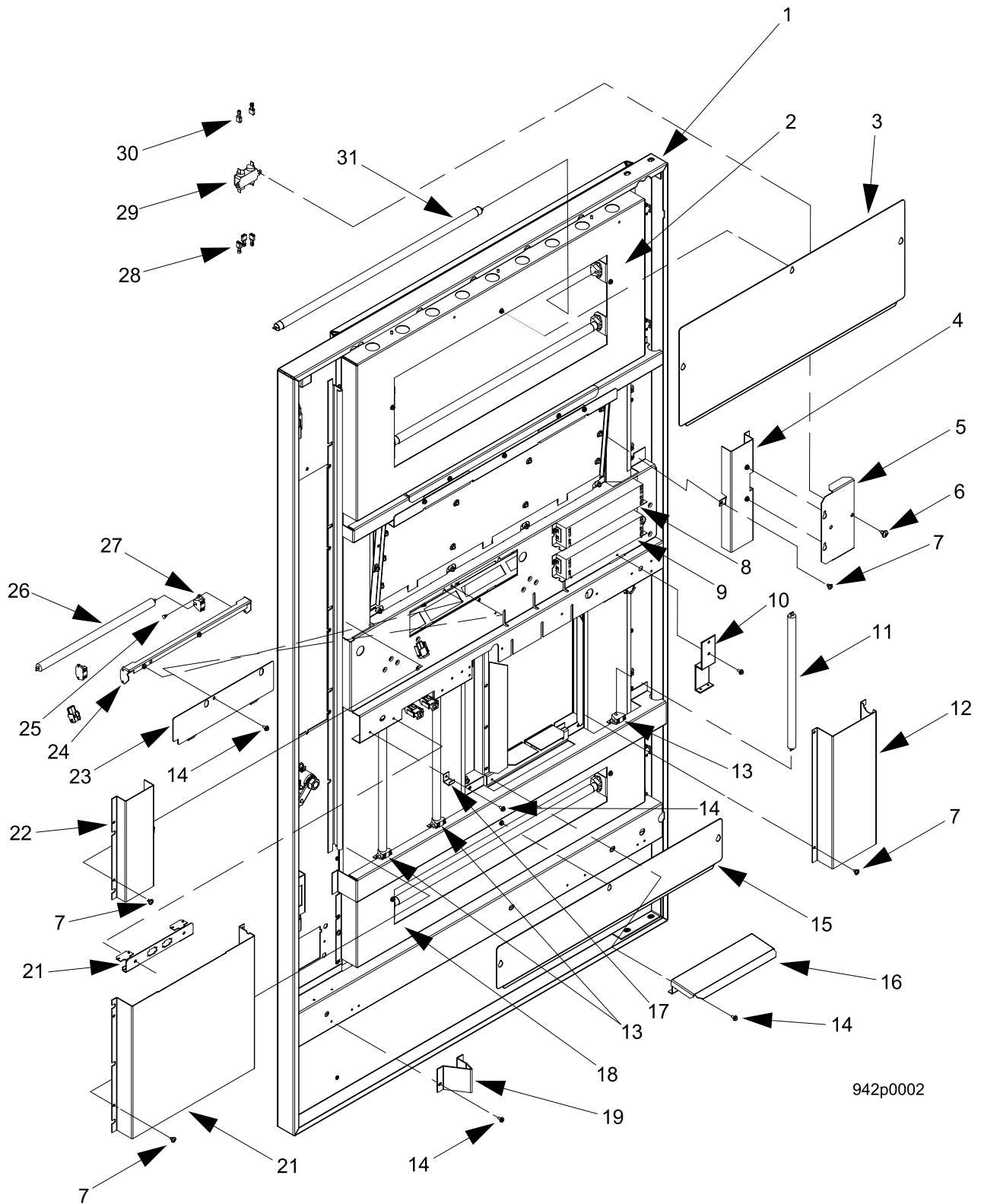


FIGURE 1: DOOR AND TRIM PANELS

TABLE 1: DOOR AND TRIM PANELS

INDEX	PART NUMBER	DESCRIPTION	QTY
1	9422097	VINYL HEADER	
2	9422018	PANEL CUP GALLERY UPPER	
3	9422015	TRIM HD2 DOOR VERTICAL	
4	1575106	CASTING-MONETARY FRAME-BLACK	
5	9422006	T HANDLE LOCK	
6	9422000	SPACER T-HANDLE	
7	9422019	PANEL CUP GALLERY LOWER	
8	AP14400106	COIN CUP - FRONT TRIM - ST BLK	
9	9422056	EDGING BOTTOM DOOR	
10	9422093	PANEL DOOR LOWER METAL PANEL ONLY (SEE BELOW)	
11	9422016	TRIM HD2 DOOR HORIZONTAL	
12	3152045	FRAME-CUP DELIVERY DOOR	
13	9422120	BEZEL 942 MENU PANEL	
14	9422017	TRIM HD2 DOOR TOP HEADER	

9422095 DECAL AND PANEL ASM
9422092 DECAL ONLY



942p0002

FIGURE 2: INTERIOR OF DOOR (1 OF 2)

TABLE 2: INTERIOR OF DOOR (1 OF 2)

INDEX	PART NUMBER	DESCRIPTION	QTY
1	9422079	WELD ASSY DOOR AP "T" BLACK	
2	9422075	UPPER LIGHT BOX ASSY	
3	9422089	COVER LAMP BOX UPPER	
4	9422087	COVER UPPER LEFT	
5	9422096	COVER LINE FILTER	
6	AP216-41R8	SCR PN/NIBS HD TYPE AB 1/4X1/2	
7	AP23100136	SCREW PAN HEAD PH TYPE B #10X1/4	
8	9429000	HARNESS-BALLAST - 13W LIGHTS	
9	9429001	HARNESS-BALLAST - 8W LIGHTS	
10	9422081	BRACKET LAMP HOLDER	
11	AP380022-3	FLUORESCENT LAMP F8T5 CW	
12	9422085	COVER LOWER LEFT	
13	9429005	HARNESS FLOURESCENT 8W LONG	
14	1451097	SCREW-#8-32X.31 HEX HD.TF-BLK.	
15	9422090	COVER LAMP BOX LOWER	
16	6342202	LIFT BRKT-CUP STA (REF. ITEM)	
17	3142138	HANGER-CUP STATION	
18	9422076	LOWER LIGHT BOX ASSY	
19	6231164	BRACKET-DOOR SUPPORT	
20	9422084	COVER LOWER RIGHT	
21	9422082	LAMP HOLDER DUAL	
22	9422086	COVER UPPER RIGHT	
23	9422078	COVER LAMP UPPER	
24	9422077	BRACKET LAMP HOLDER CTR	
25	AP23100099	CLIP KEY - HOLE NYLON	
26	AP380022-3	FLUORESCENT LAMP F8T5 CW	
27	9429002	HARNESS FLOURESCENT 8W SHORT	
28	9429004	HARNESS POWER TO LIGHT FILTER	
29	AP380303	FILTER-LIGHT	
30	9429003	HARNESS LT FILTER TO BALLAST	
31	AP26900007	LAMP 223 F13T5CW	

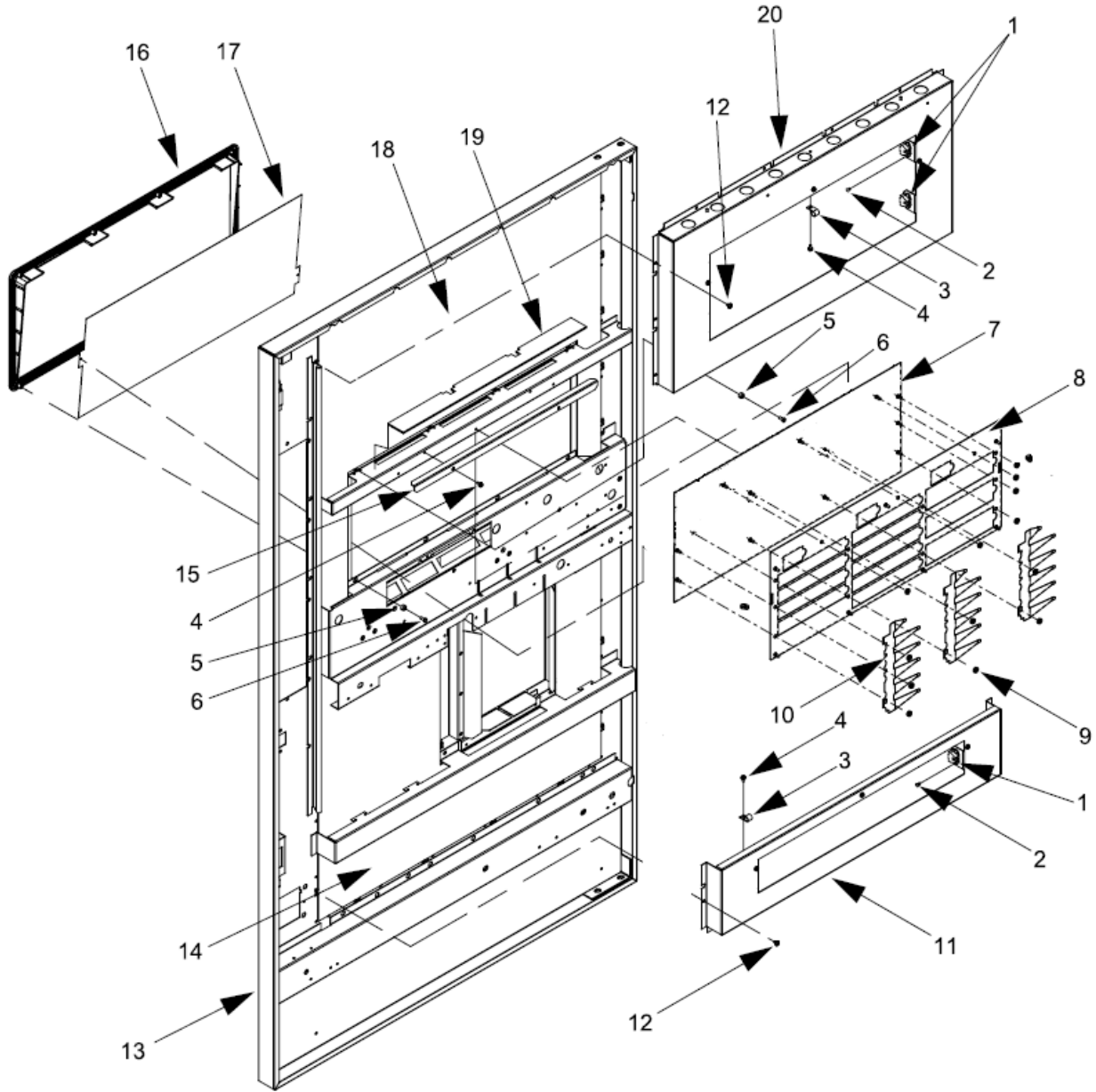
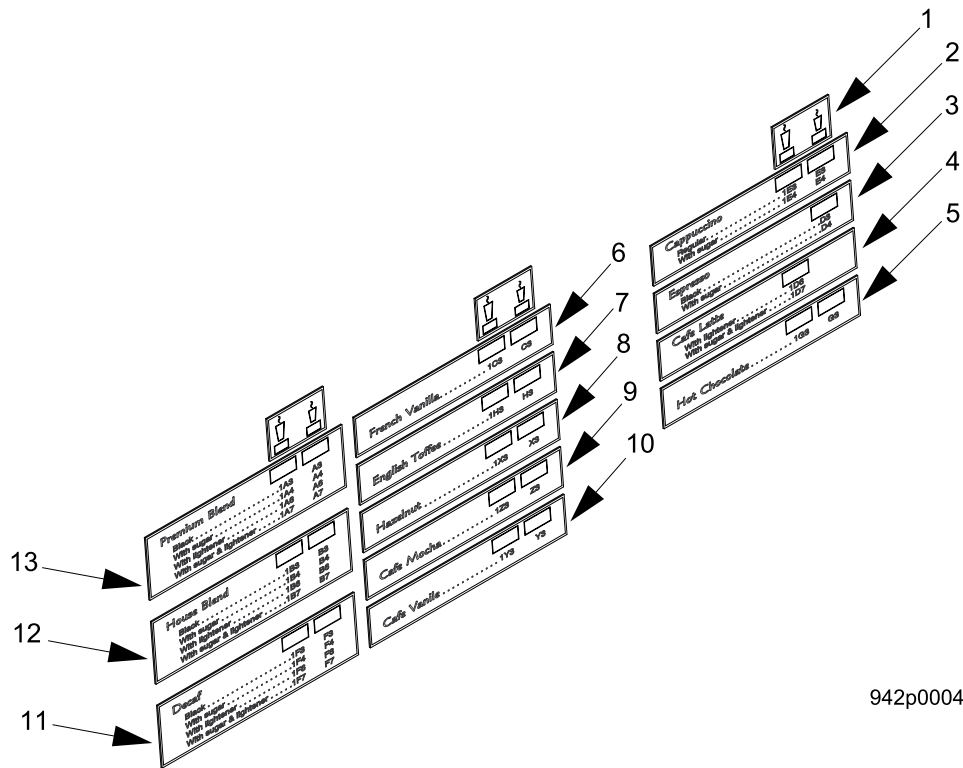


FIGURE 3: INTERIOR OF DOOR (2 OF 2)

TABLE 3: INTERIOR OF DOOR (2 OF 2)

INDEX	PART NUMBER	DESCRIPTION	QTY
1	AP26800083	HARNESS LIGHT BOX 223	
2	AP23100099	CLIP KEY - HOLE NYLON	
3	1452139	RETAINER - HARNESS	
4	1451097	SCREW-#8-32X.31 HEX HD.TF-BLK.	
5	2302053	SPACER-CUP	
6	1437204	SCREW-#8-10X.38 HEX HD.TF	
7	9422127	BACK PLATE ASSY	
8	9422124	MENU PANEL FRAM ASSY	
9	AP438-8	NUT - 8-32 KEPS	
10	9422118	RETAINER - LABEL	
11	9422073	LOWER LIGHT BOX	
12	AP23100136	SCR PN HD PHIL TYPE B #10X1/4	
13	9422079	WELD ASSY DOOR AP "T" BLACK	
14	9422035	DIFFUSER LOWER PANEL	
15	9422098	BRACKET DIFFUSER RETAINER	
16	9422120	BEZEL 942 MENU PANEL	
17	9422112	MENU PANEL ASSY	
18	9422034	DIFFUSER UPPER PANEL	
19	9422110	DIFFUSER SELECTION PANEL	
20	9422074	UPPER LIGHT BOX	



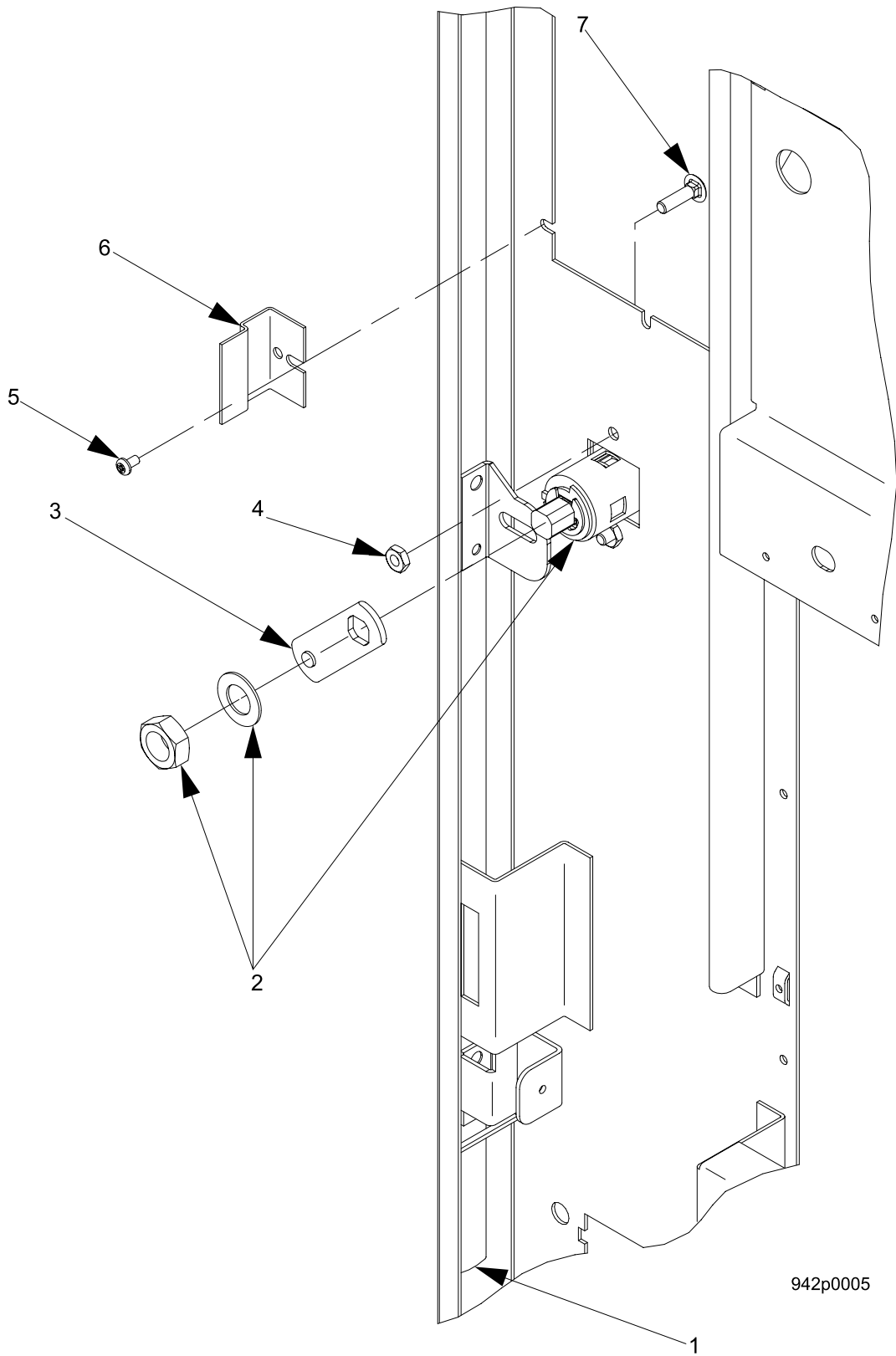
942p0004

FIGURE 4: MENU PANEL INSERTS

TABLE 4: MENU PANEL INSERTS

INDEX	PART NUMBER	DESCRIPTION	QTY
1	9420012	INSERT- CUP SIZE	3
2	9420007	INSERT- CAPPUCCINO - SELECTION E	1
3	9420009	INSERT- ESPRESSO AMERICANO - SELECTION D	1
4	9420004	INSERT- CAFE LATTE - SELECTION 1D	1
5	9420014	INSERT- HOT CHOCOLATE - SELECTION G	1
6	9420010	INSERT- FRENCH VANILLA - SELECTION C	1
7	9420008	INSERT- ENGLISH TOFFEE - SELECTION H	1
8	9420011	INSERT- HAZELNUT - SELECTION X	1
9	9420005	INSERT- CAFE MOCHA - SELECTION Z	1
10	9420006	INSERT- CAFE VANILE - SELECTION Y	1
11	9420001	INSERT- DECAF - SELECTION F	1
12	9420002	HOUSE BLEND - SELECTION B	1
13	9420003	INSERT- PREMIUM BLEND - SELECTION A	1

NOT SHOWN 9420013 LABELS - CUP SIZE
 NOT SHOWN 9420015 LABELS - PRICE SET \$.25 TO \$2.00
 NOT SHOWN 9420018 INSERT - TEA - SELECTION F
 NOT SHOWN 9420019 INSERT - DECAF - SELECTION B
 NOT SHOWN 9420020 INSERT - HOUSE BLEND - SELECTION A
 NOT SHOWN 9420021 INSERT - DARK BLEND - SELECTION A
 NOT SHOWN 9420022 INSERT - FRENCH COCOA - SELECTION Z
 NOT SHOWN 9420023 INSERT - TOFFEE COFFEE - SELECTION Z
 NOT SHOWN 9420024 INSERT - CAFE AMARETTO - SELECTION Z
 NOT SHOWN 9420025 INSERT - CAFE HAZELNUT - SELECTION Z
 NOT SHOWN 9420026 INSERT - CAFE CAPPUCCINO - SELECTION Y
 NOT SHOWN 9420027 INSERT - CAFE MOCHA - SELECTION E
 NOT SHOWN 9420028 INSERT - AMARETTO - SELECTION H
 NOT SHOWN 9420029 INSERT - HAZELNUT - SELECTION H
 NOT SHOWN 9420030 INSERT - AMARETTO - SELECTION X

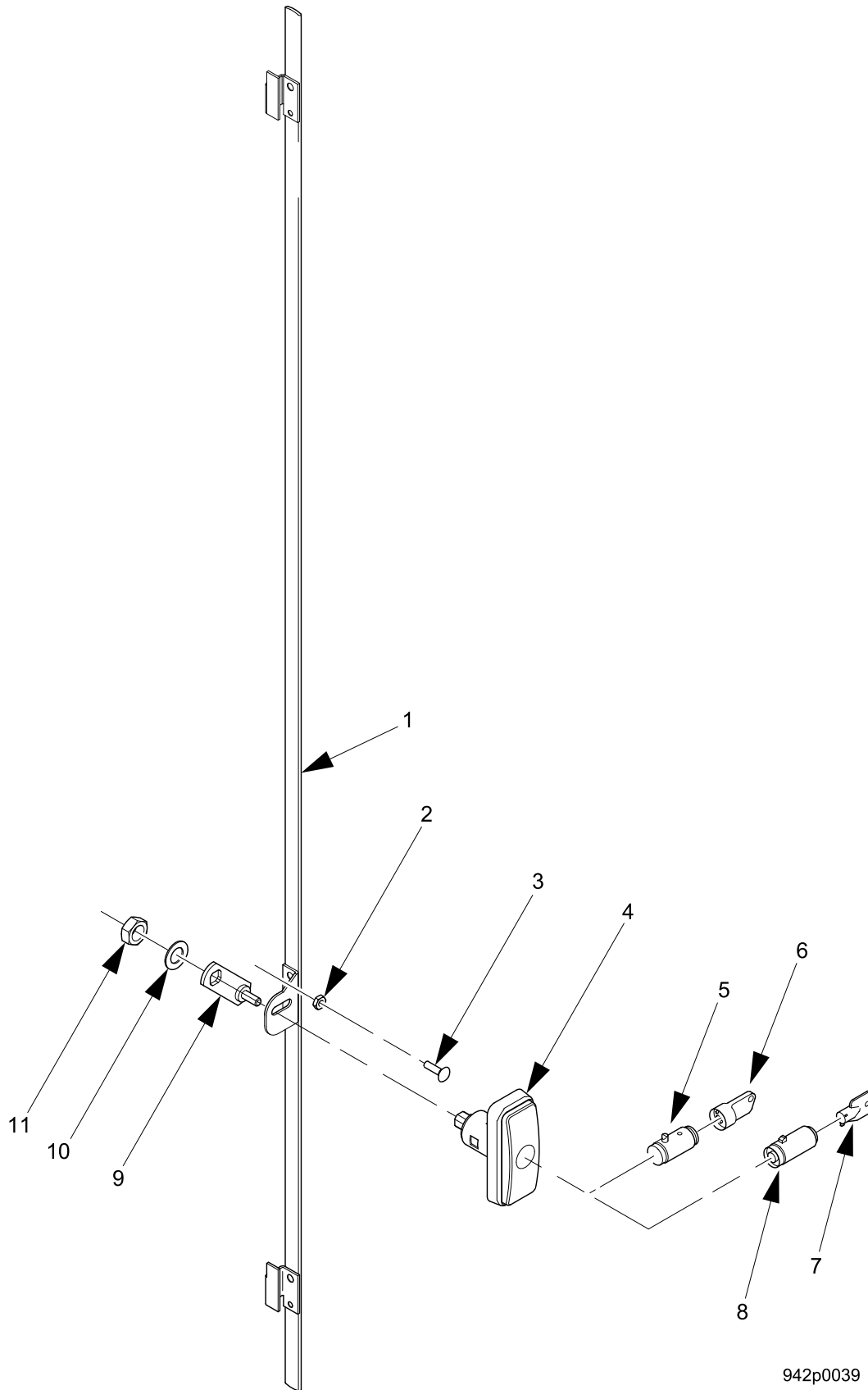


942p0005

FIGURE 5: LOCKBAR ASSEMBLY

TABLE 5: LOCKBAR ASSEMBLY

INDEX	PART NUMBER	DESCRIPTION	QTY
1	9422005	LOCK BAR ASSEMBLY	
2	9422006	T-HANDLE LOCK	
3	9422002	LOCK ARM ASSY	
4	AP438-10	10-24 KEPS NUT ZN	
5	1472132	SCREW-#6-32 X .25 PHS T/C	
6	7802067	GUIDE-LOCK BAR	
7	AP118-10-12	10-24 X 3/4 CARRIAGE BOLT ZN	



942p0039

FIGURE 6: DOOR LOCK PARTS

TABLE 6: DOOR LOCK PARTS

INDEX	PART NUMBER	DESCRIPTION	QTY
1	9422005	LOCK BAR ASSEMBLY	1
2	AP404-10	NUT - FLEX	2
3	AP118-10-8	CARRIAGE BOLT	2
--	9422006	T-HANDLE LOCK ASSY (INCLUDES ITEMS 4 AND 10 BELOW)	--
4	AP38332-1	T-HANDLE ONLY (W/NUT)	1
5	3112163	CYLINDER - VAN LOCK #4275 STANDARD COMBINATION	1
6	3112164	KEY - VAN LOCK #K5 - STANDARD COMBINATION	1
7	9994400	KEY - 400	1
8	9992400	LOCK - CYLINDER #4355-19-A	1
9	9422002	LOCK ARM ASSY	1
10	9422000	SPACER - T-HANDLE	1

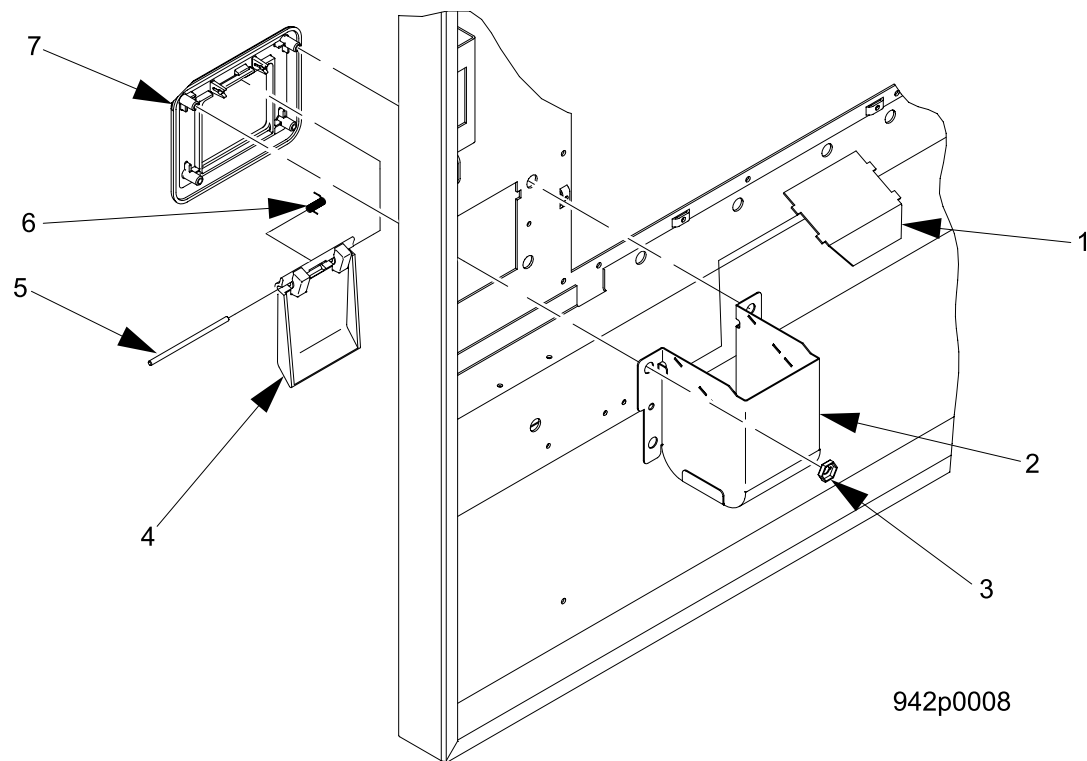
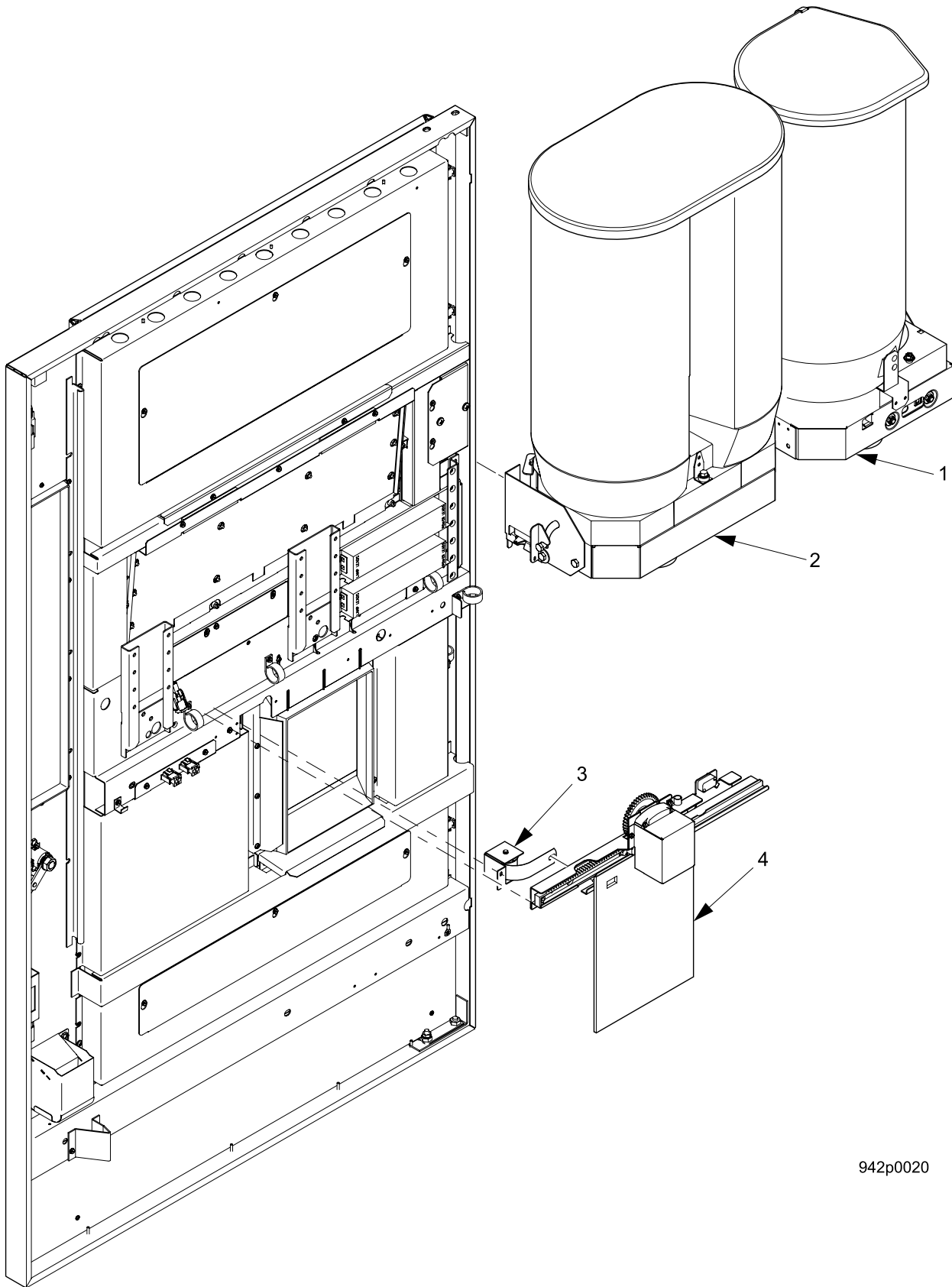


FIGURE 7: COIN RETURN CUP PARTS

TABLE 7: COIN RETURN CUP PARTS

INDEX	PART NUMBER	DESCRIPTION	QTY
1	AP12000348	SECURITY PLATE COIN CUP	
2	9422013	COIN CUP MOD	
3	AP18443	NUT, 1/4 SELF THREADING, PAL	
4	AP440412	COIN CUP DOOR	
5	AP300212	PIVOT PIN, COIN CUP DOOR	
6	AP400108	SPRING G/M DISPLAY DR SPRING	
7	AP14400106	COIN CUP FRONT TRIM ST BLK	

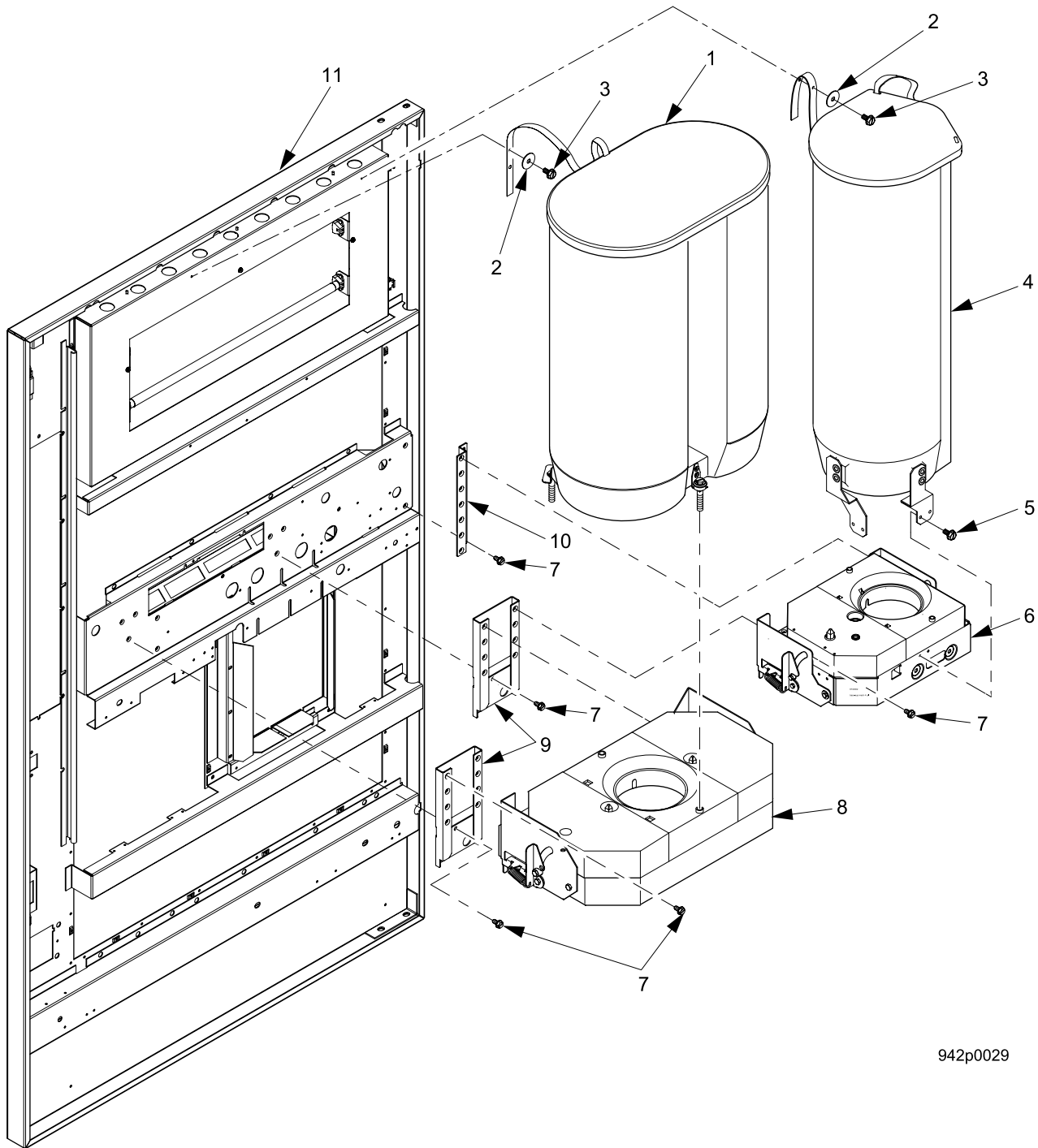


942p0020

FIGURE 8: CUP CANISTERS AND CUP MECHANISM ASSEMBLY

TABLE 8: CUP CANISTERS AND CUP MECHANISM ASSEMBLY

INDEX	PART NUMBER	DESCRIPTION	QTY
1	--	CUP CANISTER & CUP MECHANISM - 4 COLUMN (SEE FIGURE 9), (SEE FIGURE 10), AND (SEE FIGURE 12)	--
2	--	CUP CANISTER & CUP MECHANISM - 7 COLUMN (SEE FIGURE 9), (SEE FIGURE 11), AND (SEE FIGURE 13)	--
3	6232118	HSG & SPRING ASSEMBLY - VEND DOOR (SEE FIGURE 18)	1
4	--	VEND DOOR & MOTOR ASSEMBLY (SEE FIGURE 19)	--

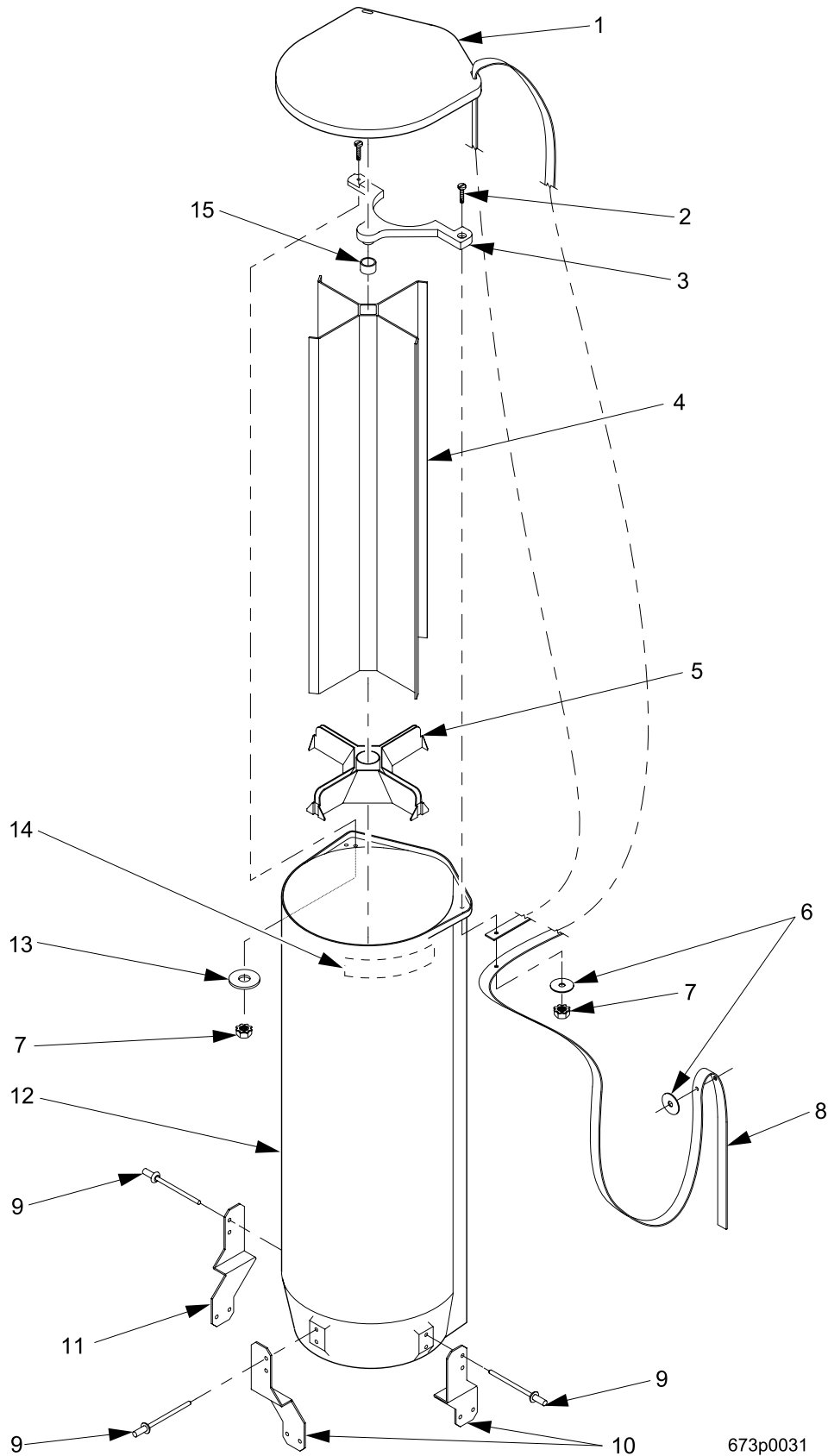


942p0029

FIGURE 9: CUP CANISTERS AND CUP MECHANISMS FOR 12 THRU 20 OZ CUPS

TABLE 9: CUP CANISTERS AND CUP MECHANISMS FOR 12 THRU 20 OZ CUPS

INDEX	PART NUMBER	DESCRIPTION	QTY
1	3283014	TURRET & CANISTER ASSEMBLY FOR COLUMN 7 - 1A	1
2	6138181	WASHER PLATE	2
3	1451097	SCREW - #8-32X.31 HEX HD.TF - BLACK	--
4	6733006	TURRET & CANISTER ASSEMBLY - 4 COLUMN - 1B	1
5	1451097	SCREW - #8-32X.31 HEX HD.TF - BLACK	--
6	6733005	MECHANISM ASSEMBLY - 4 COLUMN - 12 THRU 20 OZ CUPS	1
7	6262021	SCREW - 1/4-20 T/TITE X .50HHS	8
8	3283018	MECHANISM ASSEMBLY - 7 COLUMN - 12 THRU 20 OZ CUPS	1
9	9422106	BRACKET - CUP MECHANISM - CENTER	2
10	3282005	BRACKET - CUP MECHANISM - R & L	1
11	9422079	WELD ASSY DOOR AP "T" BLACK	1

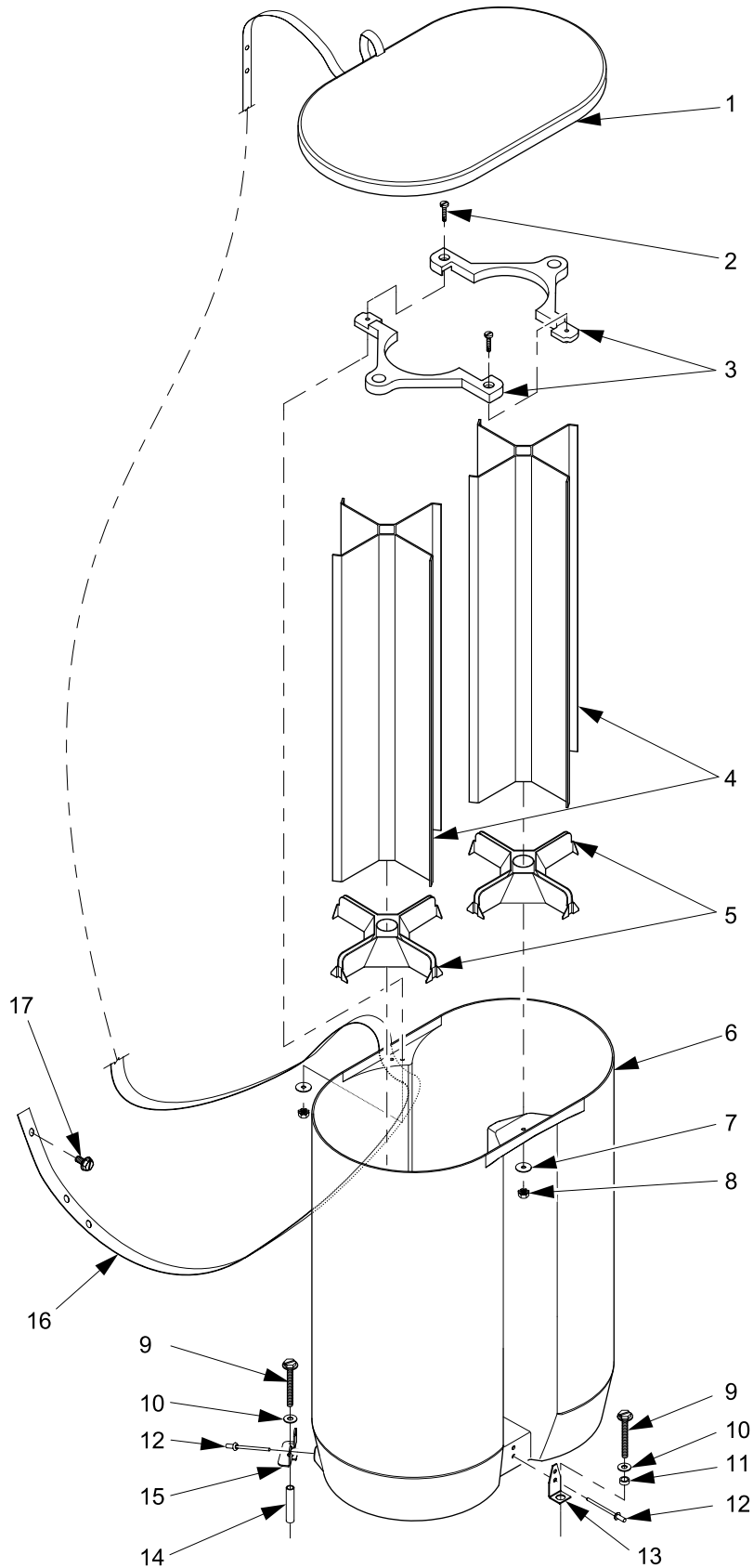


673p0031

FIGURE 10: TURRET AND CANISTER ASSEMBLY - 4 COLUMN FOR 12 THRU 20 OZ CUPS

TABLE 10: TURRET AND CANISTER ASSEMBLY - 4 COLUMN FOR 12 THRU 20 OZ CUPS

INDEX	PART NUMBER	DESCRIPTION	QTY
1	3633032	LID - CANISTER - 4 COLUMN - 12/20 OZ	1
2	3102447	8-32 X 3/4 PHS TYPE 23 T/C ZNC	2
3	3633008	BEARING - TURRET TOP	1
4	3633007	CENTER VANE - TURRET	1
5	6233048	BASE - TURRET	1
6	6138181	WASHER PLATE	2
7	9900081	NUT #8-32 KEPS ZINC PLATE	2
8	6723007	STRAP - CANISTER	1
9	6537026	ALUMINUM CAP RIVET - .187 DIA	6
10	3633010	BRACKET - CANISTER - LEFT	1
11	3633011	BRACKET - CANISTER - RIGHT	1
12	3633031	CANISTER - CUP - 4 COLUMN - 12/20 OZ	1
13	6114121	WASHER ROLLER	1
14	6233095	LABEL - FILL LINE	4
15	2302053	SPACER - CUP	4



673p0032

FIGURE 11: TURRET AND CANISTER ASSEMBLY - 7 COLUMN FOR 12 THRU 20 OZ CUPS

TABLE 11: TURRET AND CANISTER ASSEMBLY - 7 COLUMN FOR 12 THRU 20 OZ CUPS

INDEX	PART NUMBER	DESCRIPTION	QTY
1	3283032	LID - CANISTER	1
2	3102447	8-32 X 3/4 PHS TYPE 23 T/C ZNC	4
3	3633008	BEARING - TURRET TOP	2
4	3283069	VANE - CANISTER - LARGE	2
5	6233048	BASE - TURRET	2
6	3283031	CANISTER - LARGE CUP - 7 COLUMN	1
7	6138181	WASHER PLATE	4
8	9900081	NUT #8-32 KEPS ZINC PLATE	4
9	6233077	BOLT - #1/4X20X2.38 HHS	3
10	6131066	WASHER 5/8X.265X.048 ZINC/YEL	8
11	3283004	SPACER - CANISTER - .438IDX.62ODX	2
12	6537026	ALUMINUM CAP RIVET - .187 DIA	6
13	3283002	BRACKET - CANISTER - CENTER	2
14	6263002	SPACER - .277ID X .375OD X 1.94	2
15	3283013	BRACKET - CANISTER - R & L	2
16	6723007	STRAP - CANISTER	1
17	1451097	SCREW - #8-32X.31 HEX HD.TF - BLACK	--

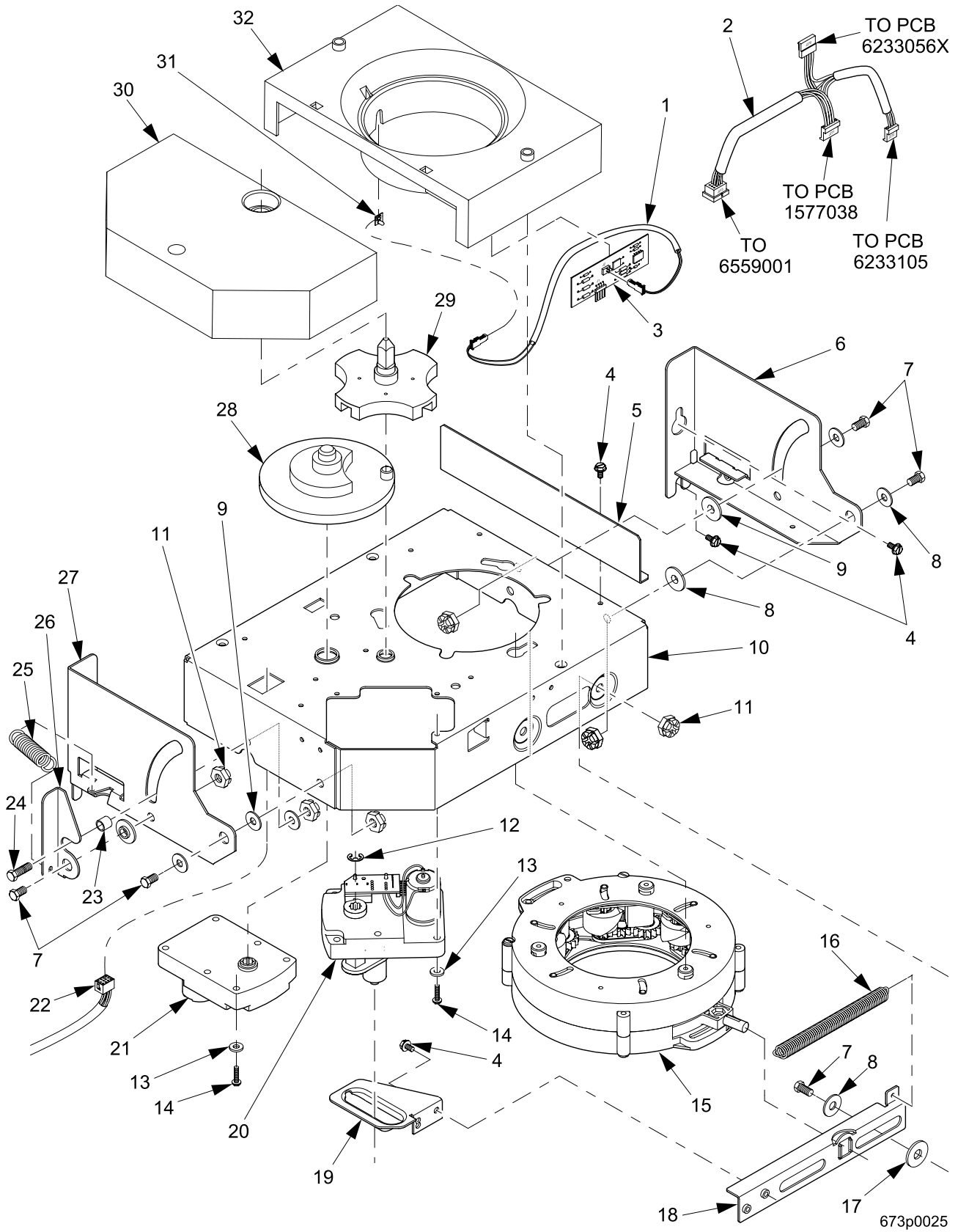
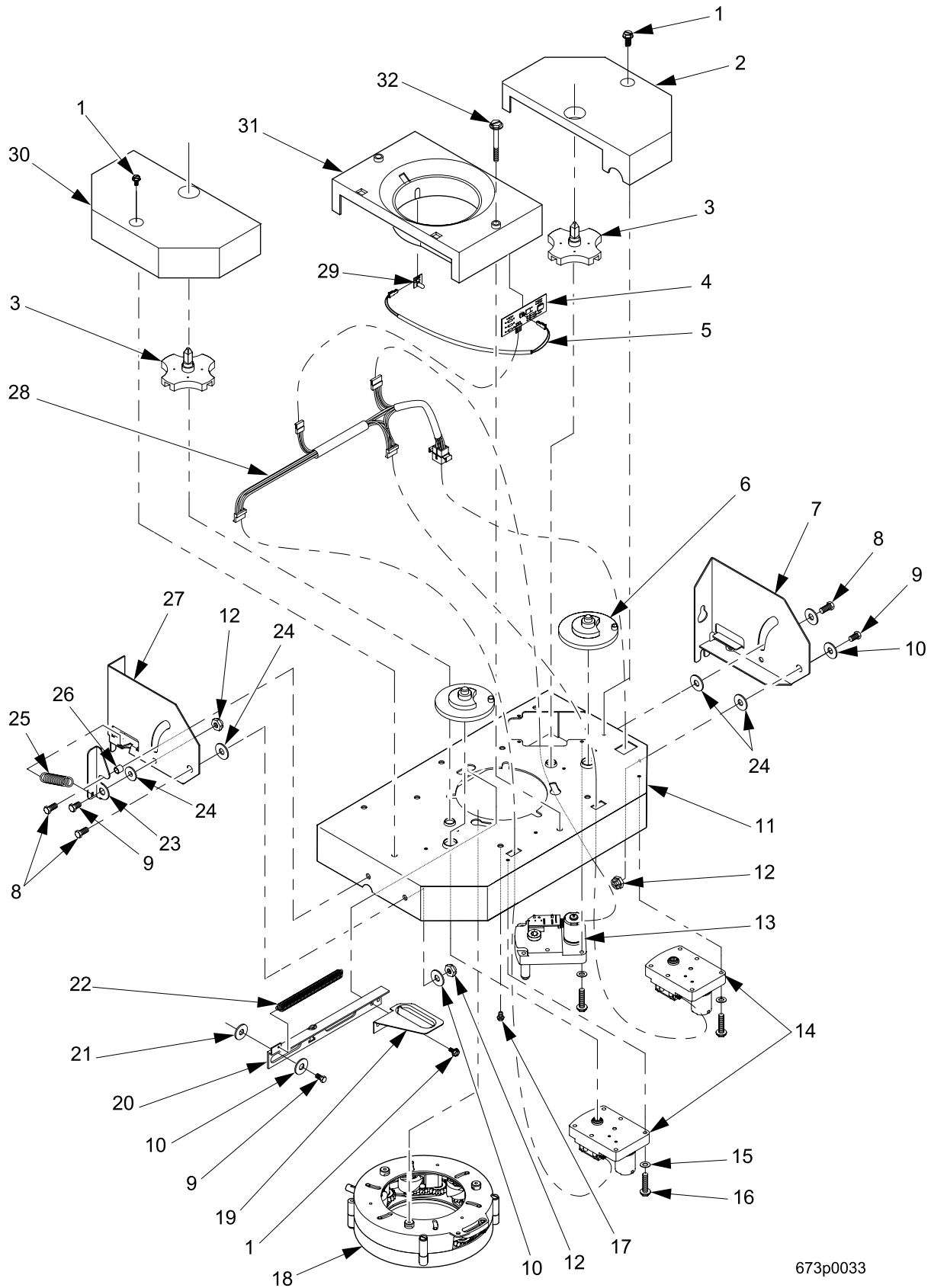


FIGURE 12: CUP MECHANISM ASSEMBLY - 4 COLUMN FOR 12 THRU 20 OZ CUPS

TABLE 12: CUP MECHANISM ASSEMBLY - 4 COLUMN FOR 12 THRU 20 OZ CUPS

INDEX	PART NUMBER	DESCRIPTION	QTY
--	6733005	MECHANISM ASSEMBLY - 4 COLUMN - 12 THRU 20 OZ CUPS	
1	6233106	HARNESS - CUP DETECT/LED JUMP	1
2	3639011	HARNESS - CUP MECHANISM - TWIN	1
3	6233105	PCB ASSEMBLY - DETECTOR CUP SENSOR	1
4	1451097	SCREW - #8-32X.31 HEX HD.TF - BLACK	2
5	3633015	BRACKET - BASE COLUMN	1
6	6733003	BRACKET - MECHANISM MOUNTING - RIGHT	1
7	6233021	SCREW - 1/4 X 20 X .5 HEX HD	5
8	6404034	WASHER - .687 O.D. X .265 I.D. X	3
9	6233028	BUSHING	4
10	6733001	BASE - CUP MECHANISM	1
11	4041241	NUT - 1/4-20 - SELF LOCKING	2
12	9900113	RETAINING RING-E TYPE - .218	1
13	9900121	WASHER STEEL 7/16 X.203 X.032	2
14	1457027	SCREW - #8-32 X .81 HEX HD.-T/F	2
15	6333008	CUP RING ASSEMBLY - UNIVERSAL	2
16	4733035	SPRING - CUP RELEASE ARM	1
17	9900034	WASHER STEEL 3/8 X.170 X.032	6
18	3633014	ACTUATOR-CUP RING	1
19	3283058	CAM - ACTUATOR	2
20	6233056	MOTOR & CRANK ARM ASSEMBLY	1
21	1577038	MOTOR & PC BOARD ASSEMBLY	1
22	6559001	HARNESS - DOOR TO DOOR PCB - DC	1
23	6233062	SPACER - .260IDX.34ODX.312	1
24	1141054	SCREW - 1/4-20 X 3/4 HEX HD ZP	1
25	2301057	SPRING ELEVATOR STOP	1
26	6233037	LATCH	1
27	6733002	BRACKET - MECHANISM MOUNTING - LEFT	1
28	6233013	DRIVER - GENEVA	2
29	6233014	INDEX PLATE - GENEVA	2
30	6233010	COVER - END	2
31	6233107	PCB ASSEMBLY - LED - CUP SENSOR	1
32	6233012	COVER - CENTER	1

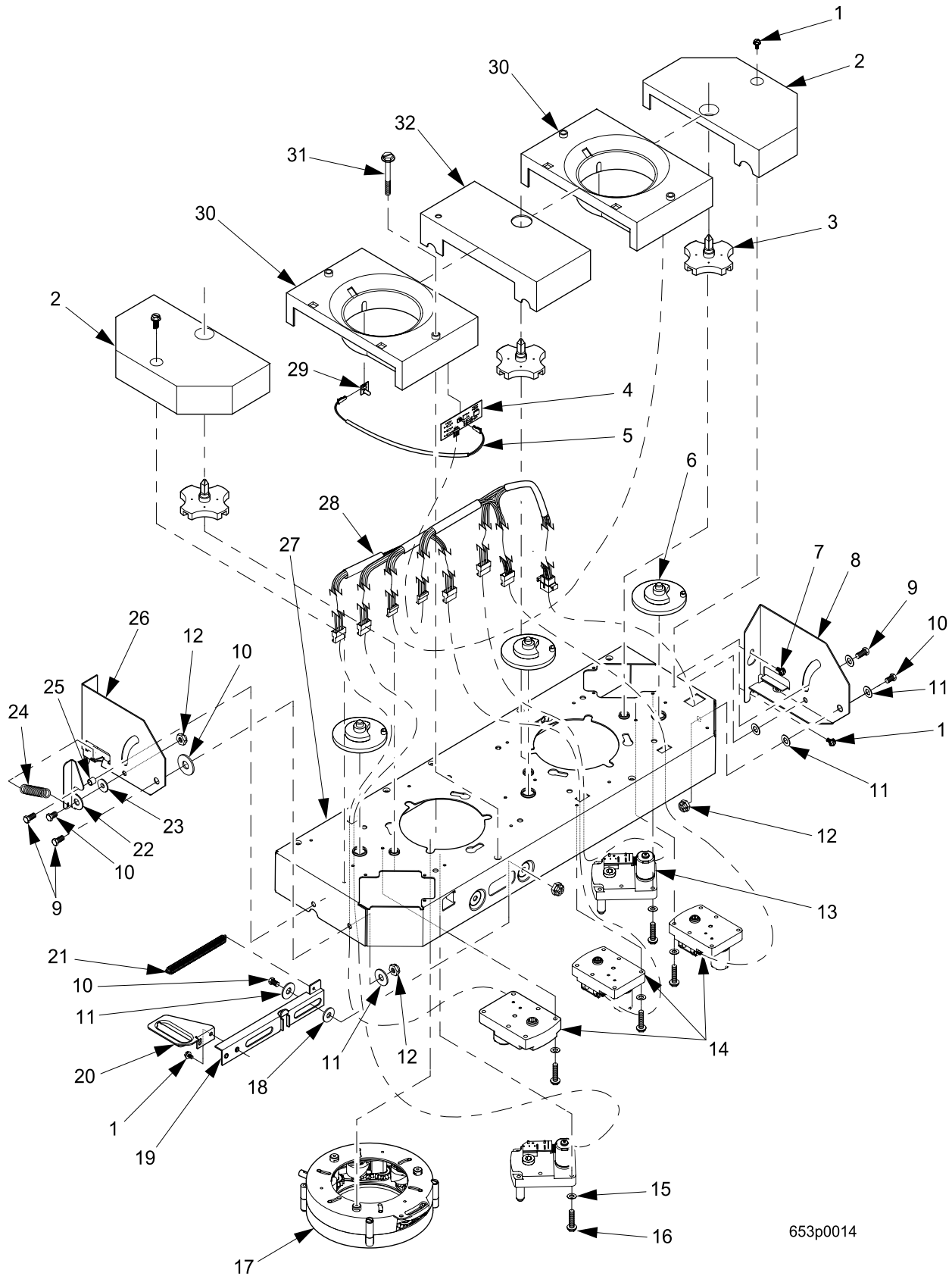


673p0033

FIGURE 13: CUP MECHANISM ASSEMBLY - 7 COLUMN FOR 12 THRU 20 OZ CUPS

TABLE 13: CUP MECHANISM ASSEMBLY - 7 COLUMN FOR 12 THRU 20 OZ CUPS

INDEX	PART NUMBER	DESCRIPTION	QTY
1	1451097	SCREW - #8-32X.31 HEX HD.TF - BLACK	--
2	6233010	COVER - END	2
3	6233014	INDEX PLATE - GENEVA	2
4	6233105	PCB ASSEMBLY - DETECTOR CUP SENSOR	1
5	6233106	HARNESS - CUP DETECT/LED JUMP	1
6	6233013	DRIVER - GENEVA	2
7	6233019	BRACKET - MECHANISM MOUNTING - LEFT	1
8	1141054	SCREW - 1/4-20 X 3/4 HEX HD ZP	--
9	6233021	SCREW - 1/4 X 20 X .5 HEX HD	5
10	6404034	WASHER - .687 O.D. X .265 I.D. X	3
11	6263003	PLATE - BASE - 7 COLUMN	1
12	4041241	NUT - 1/4-20-SELF LOCKING	2
13	6233056	MOTOR & CRANK ARM ASSEMBLY	1
14	1577038	MOTOR & PC BOARD ASSEMBLY	10
15	9900121	WASHER STEEL 7/16 X.203 X.032	--
16	1457027	SCREW - #8-32 X .81 HEX HD.-T/F	2
17	6233065	SCREW - #8-16X.38 PLAST.HHS	4
18	6333008	CUP RING ASSEMBLY - UNIVERSAL	2
19	3283058	CAM - ACTUATOR	2
20	6233032	ACTUATOR - CUP RING	1
21	9900034	WASHER STEEL 3/8 X.170 X.032	--
22	4733035	SPRING - CUP RELEASE ARM	1
23	6233037	LATCH	1
24	6233028	BUSHING	4
25	2301057	SPRING ELEVATOR STOP	1
26	6233062	SPACER - .260IDX.34ODX.312	1
27	6233018	BRACKET - MECHANISM MOUNTING - RIGHT	1
28	6269013	HARNESS - CUP MECHANISM	1
29	6233107	PCB ASSEMBLY - LED - CUP SENSOR	1
30	6233010	COVER - END	2
31	6233012	COVER - CENTER	1
32	6233077	BOLT - #1/4X20X2.38 HHS	3

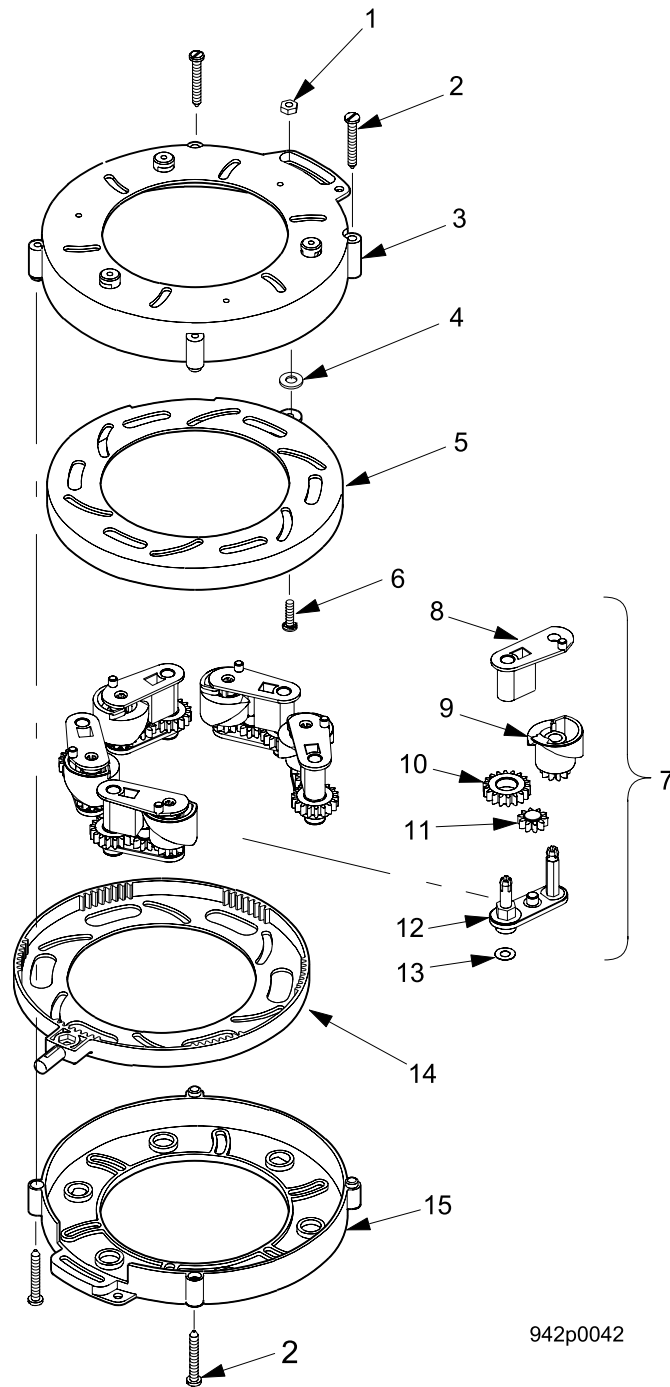


653p0014

FIGURE 14: MECHANISM ASSEMBLY - 11 COLUMN FOR 7 THRU 12 OZ CUPS

TABLE 14: MECHANISM ASSEMBLY - 11 COLUMN FOR 7 THRU 12 OZ CUPS

INDEX	PART NUMBER	DESCRIPTION	QTY
-	6233101	MECHANISM ASSEMBLY - 11 COLUMN	REF
1	1451097	SCREW - #8-32X.31 HEX HD.TF - BLACK	12
2	6233010	COVER - END	2
3	6233014	INDEX PLATE - GENEVA	3
4	6233105	PCB ASSEMBLY - DETECTOR CUP SENSOR	2
5	6233106	HARNESS - CUP DETECTOR / LED JUMP	2
6	6233013	DRIVER - GENEVA	3
7	6233065	SCREW - #8 - 16X.38 PLAST.HHS	8
8	6233019	BRACKET MECHANISM MOUNTING - LEFT	1
9	1141054	SCREW - 1/4-20 X 3/4 HEX HD ZP	1
10	6233021	SCREW - 1/4 X 20 X .5 HEX HD	7
11	6404034	WASHER - .687 O.D. X .265 I.D.	5
12	4041241	NUT-1/4-20 - SELF LOCKING 1	1
13	6233056	MOTOR & CRANK ARM ASSY	2
14	1577038	MOTOR & PC BOARD ASSEMBLY	3
15	9900121	WASHER STEEL 7/16 X.203 X.032	2
16	1457027	SCREW-#8-32 X .81 HEX HD.-T/F	15
17	6333008	CUP RING ASSEMBLY - UNIVERSAL	2
18	9900034	WASHER STEEL 3/8 X.170 X.032	15
19	6233032	ACTUATOR - CUP RING	2
20	3283058	CAM - ACTUATOR	2
21	4733035	SPRING - CUP RELEASE ARM	2
22	6233037	LATCH	1
23	6233028	BUSHING	1
24	2301057	SPRING ELEVATOR STOP	1
25	6233062	SPACER - .260IDX.34ODX.312	1
26	6233018	BRACKET - MECHANISM MOUNTING - RIGHT	1
27	6233016	BASE PLATE - 11 COLUMN	1
28	6239048	HARNESS - CUP MECHANISM	1
29	6233107	PCB ASSEMBLY - LED - CUP SENSOR	2
30	6233012	COVER - CENTER	2
31	6233077	BOLT-#1/4X20X2.38 HHS	3
32	6233082	COVER - CENTER - MOTOR	1



942p0042

FIGURE 15: CUP RING ASSEMBLY

TABLE 15: CUP RING ASSEMBLY

INDEX	PART NUMBER	DESCRIPTION	QTY
-	6333008	CUP RING ASSEMBLY - UNIVERSAL	-
1	3143011	NUT #8-32 SELF LOCKING	1
2	6332052	SCREW - #8-16 X 1.25 PHS - PLASTITE	4
3	6333004	HOUSING - CUP RING	1
4	6114121	WASHER ROLLER	1
5	6333011	ADJUSTER RING - INTERNAL	1
6	3143009	SCREW #8-32 X .50 PHS W/LW	1
7	6333007	CAM & GEAR ASSEMBLY	6
8	6333006	RETAINER - CAM	6
9	6333012	CAM - CUP - UNIVERSAL	6
10	6233126	GEAR - 18 TOOTH	6
11	6233127	GEAR - 10 TOOTH	6
12	6333005	ARM - CAM	6
13	6234628	WASHER - PAPER MECHANISM	6
14	6333010	GEAR RING - INTERNAL	1
15	6333009	HOUSING - CUP RING	1

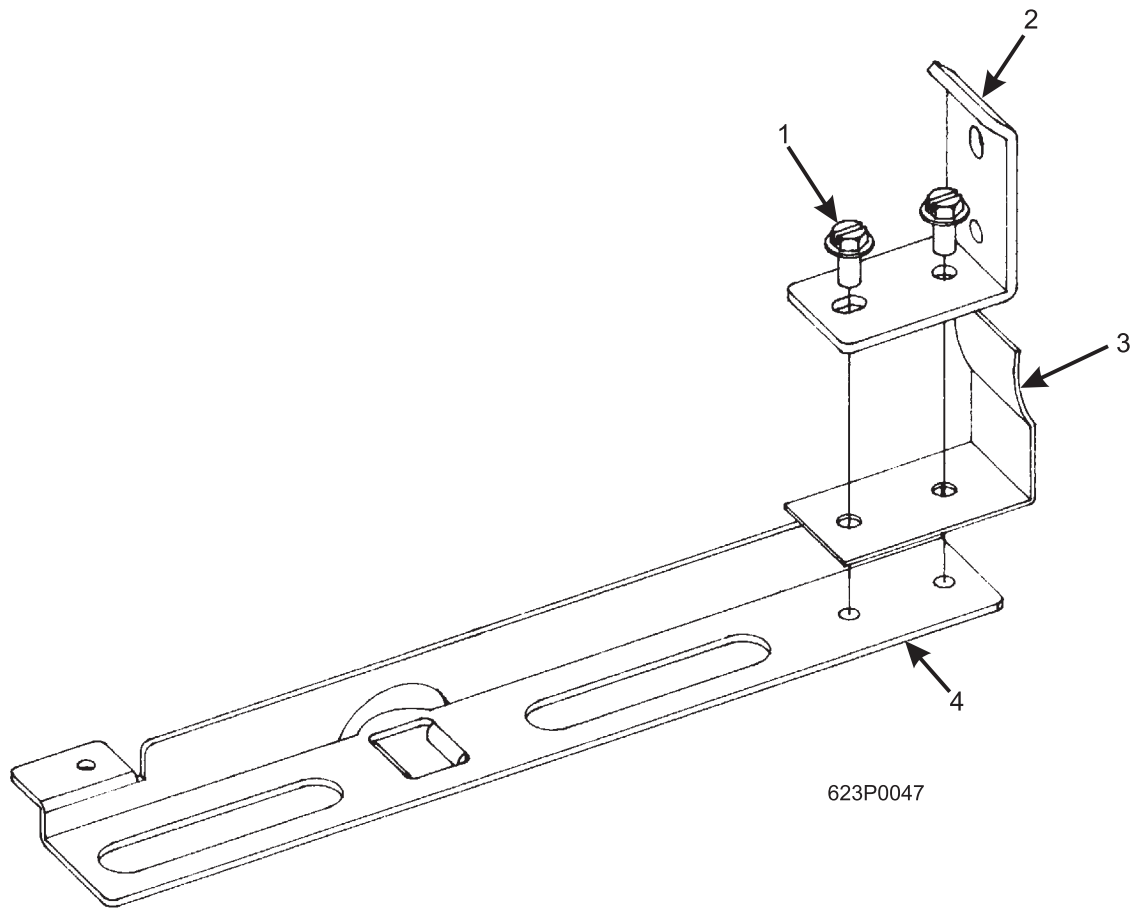


FIGURE 16: ACTUATOR ASSEMBLY - CUP RING

TABLE 16: ACTUATOR ASSEMBLY - CUP RING

INDEX	PART NUMBER	DESCRIPTION	QTY
--	6233031	ACTUATOR ASSEMBLY - CUP RING	REF
1	1451097	SCREW - #8-32 X .31 HEX HD T.F. - BLACK	2
2	6233040	RAMP - ACTUATOR	1
3	6233009	CAM - ACTUATOR	1
4	6233032	ACTUATOR - CUP RING	1

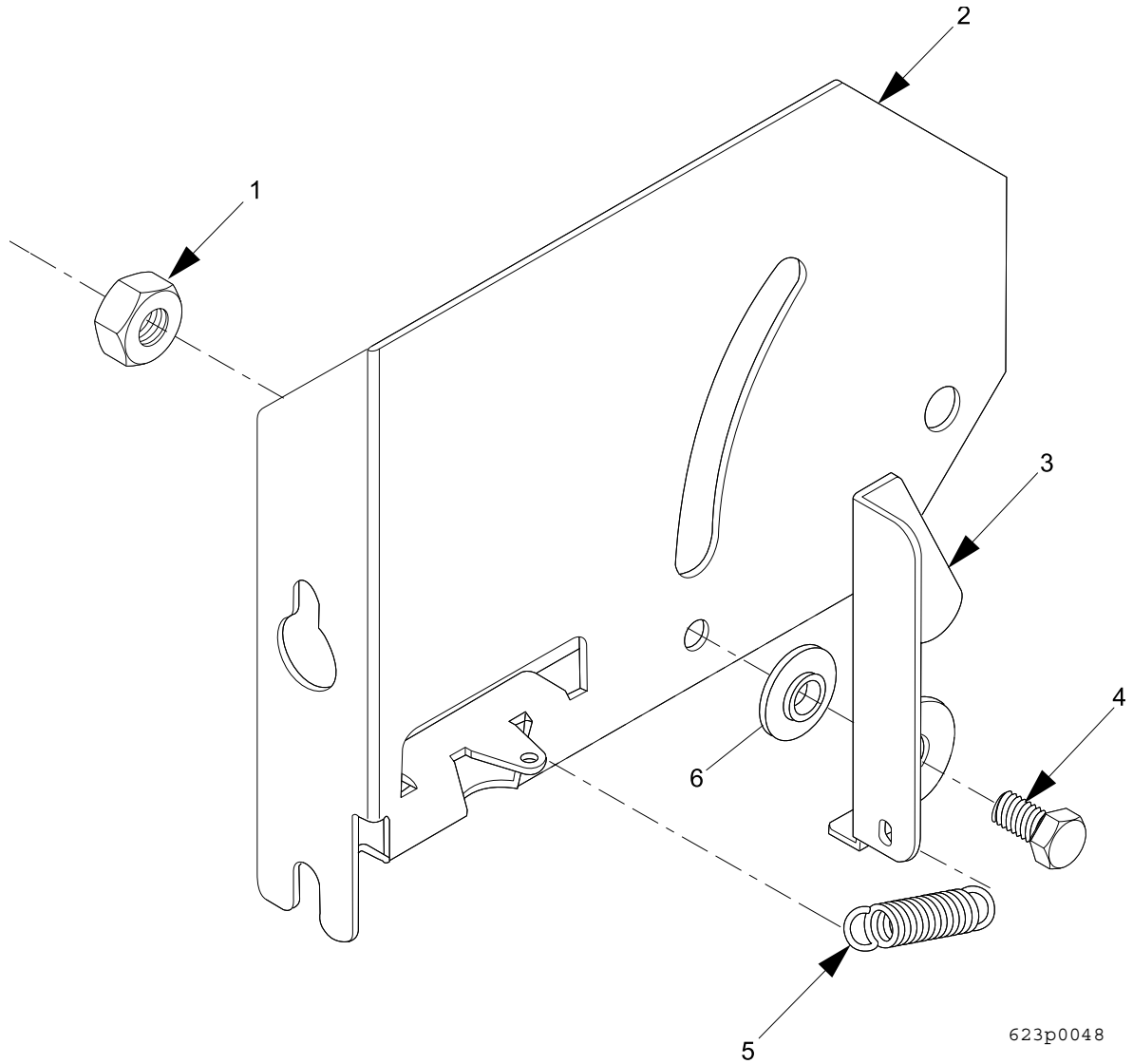


FIGURE 17: MOUNTING BRACKET ASSEMBLY - RIGHT

TABLE 17: MOUNTING BRACKET ASSEMBLY - RIGHT

INDEX	PART NUMBER	DESCRIPTION	QTY
--	6233057	MOUNTING BRACKET ASSEMBLY - RIGHT	REF
1	4041241	NUT - 1/4 20 SELF LOCKING	1
2	6233018	BRACKET - MECH MOUNTING - RIGHT	1
3	6233037	LATCH	1
4	6233021	SCREW -1 1/4 X 20 X .5 HEX HD	1
5	2301057	SPRING ELEVATOR STOP	1
6	6233028	BUSHING	1

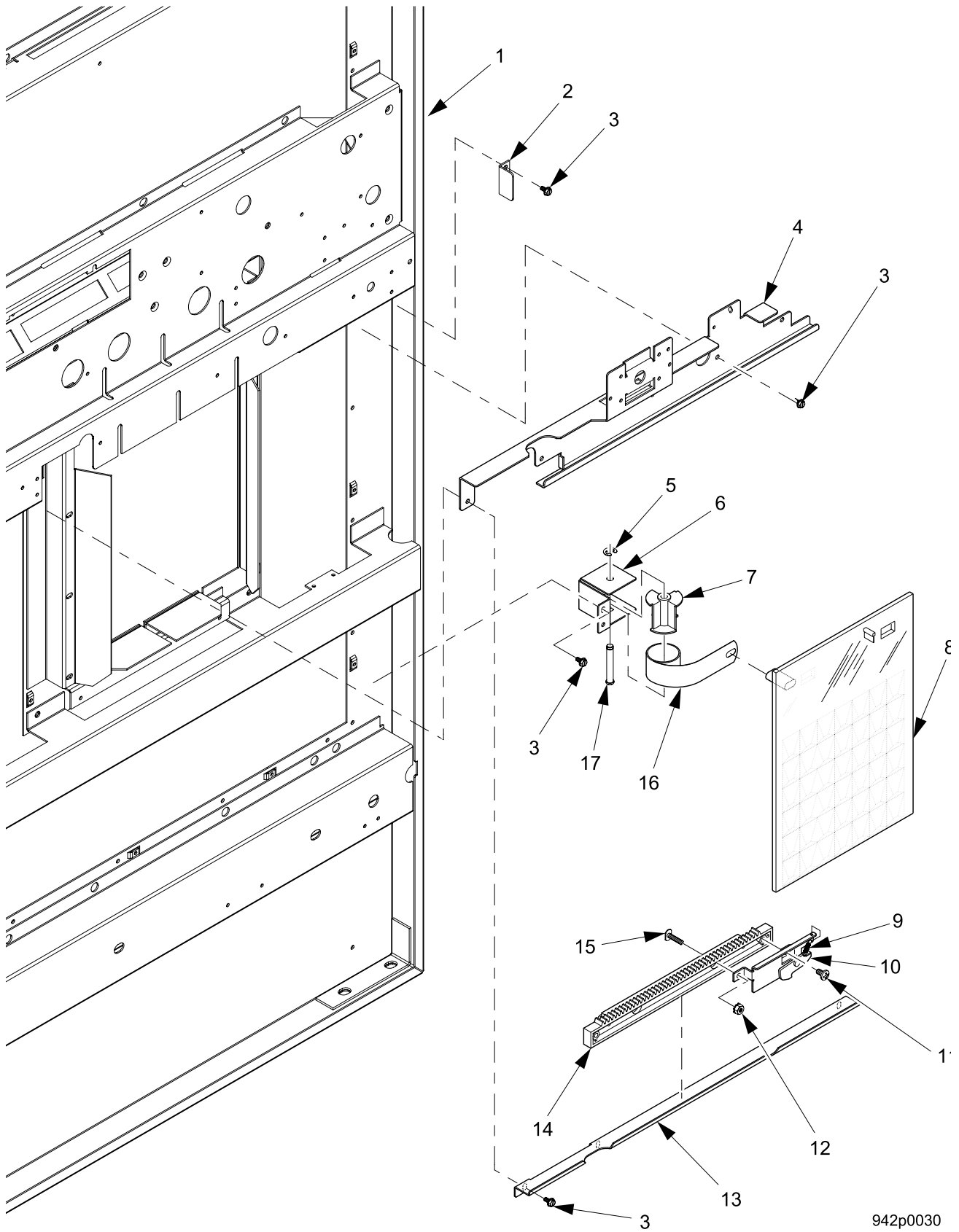


FIGURE 18: MANUAL DOOR

942p0030

TABLE 18: MANUAL DOOR

INDEX	PART NUMBER	DESCRIPTION	QTY
1	9422079	WELD ASSY DOOR AP "T" BLACK	1
2	6232096	STOP - DOOR VEND	1
3	1451097	SCREW - #8-32X.31 HEX HD.TF - BLACK	9
4	6732059	BRACKET - AUTO DOOR	1
5	9900425	RETAINING RING REINF E TYP .250	1
6	6232089	HOUSING - SPRING	1
7	6232084	SPOOL - SPRING	1
8	6722024	DOOR - VEND	1
9	3108141	SPRING - COVER - AIR GAP	1
10	6732063	COUPLING PLATE ASSEMBLY	1
11	6232317	SCREW - #10-14X.38 PH T/F	1
12	9900081	NUT #8-32 KEPS ZINC PLATE	1
13	6732060	TRACK - GEAR RACK	1
14	6234106	RACK - BREWER	1
15	2222031	TEE BOLT - TRIM	1
16	6232091	SPRING - VEND DOOR	1
17	6232085	SHAFT - SPOOL	1

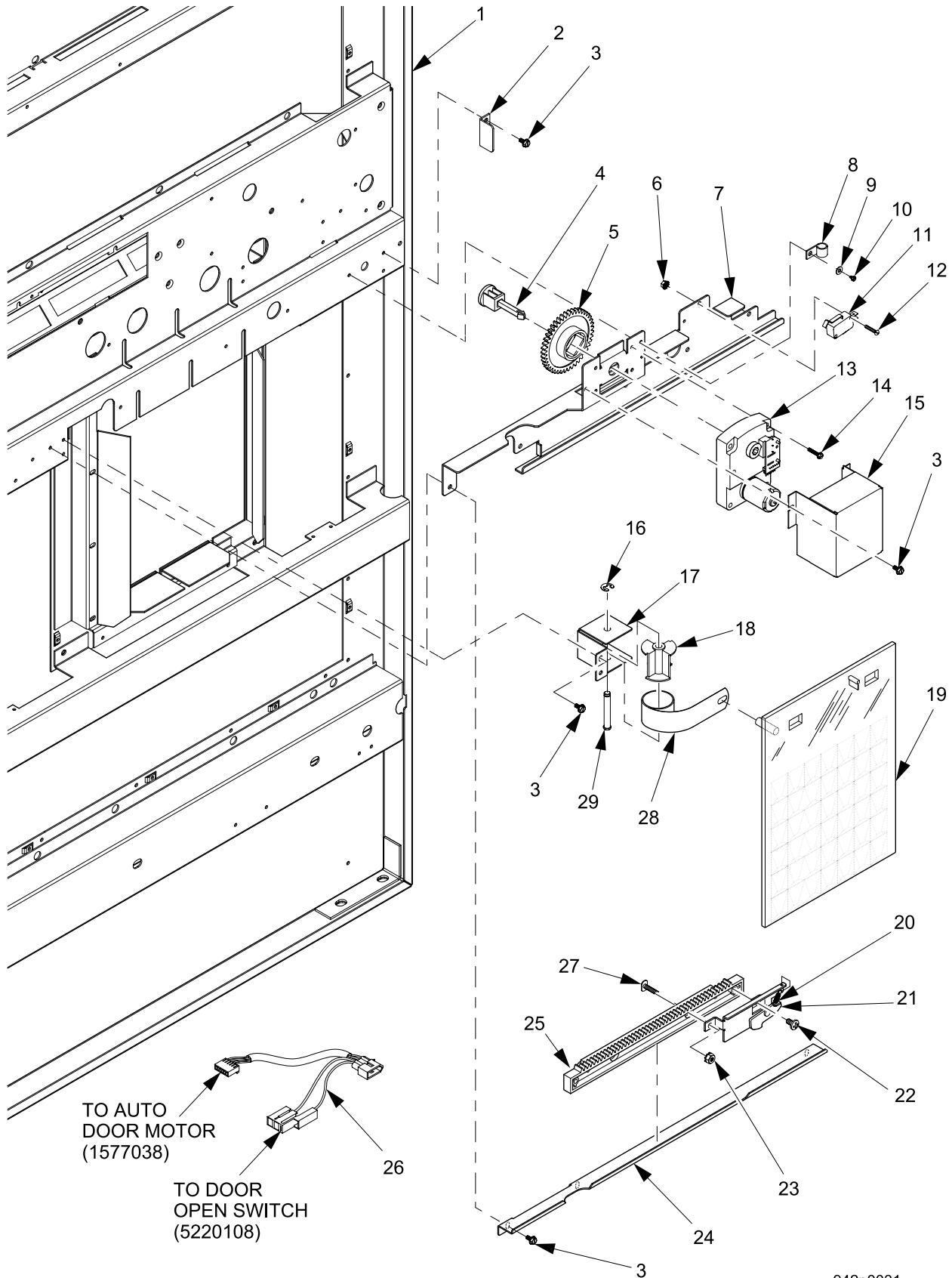


FIGURE 19: AUTO DOOR

942p0031

TABLE 19: AUTO DOOR

INDEX	PART NUMBER	DESCRIPTION	QTY
1	9422079	WELD ASSY DOOR AP "T" BLACK	1
2	6232096	STOP - DOOR VEND	1
3	1451097	SCREW - #8-32X.31 HEX HD.TF - BLACK	12
4	1477113	COUPLING - SPIRAL	1
5	1477020	GEAR - TRAY	1
6	1217159	4-40 KEPS W/EXT L/WAS H ZP	2
7	6732059	BRACKET - AUTO DOOR	1
8	1452139	RETAINER - HARNESS	2
9	9900034	WASHER STEEL 3/8 X.170 X.032	1
10	9900157	SCREW #8-32X7/32 HWHD TY23	1
11	6234279	SWITCH-BREWER	3
12	1217160	4-40X5/8 RHS M SCREW Z/Y	2
13	1577038	MOTOR & PC BOARD ASSEMBLY	10
14	1457027	SCREW - #8-32 X .81 HEX HD.-T/F	2
15	6232263	COVER - MOTOR - VEND DOOR	1
16	9900425	RETAINING RING REINF E TYP.250	1
17	6232089	HOUSING - SPRING	2
18	6232084	SPOOL - SPRING	1
19	6722024	DOOR - VEND	1
20	3108141	SPRING - COVER - AIR GAP	1
21	6732063	COUPLING - PLATE ASSEMBLY	1
22	6232317	SCREW - #10-14X.38 PH T/F	1
23	9900081	NUT #8-32 KEPS ZINC PLATE	1
24	6732060	TRACK - GEAR RACK	1
25	6234106	RACK - BREWER	1
26	6239026	HARNESS - AUTO DOOR	1
27	2222031	TEE BOLT - TRIM	1
28	6232091	SPRING - VEND DOOR	1
29	6232085	SHAFT - SPOOL	1

6532062 KIT, AUTOMATIC DOOR

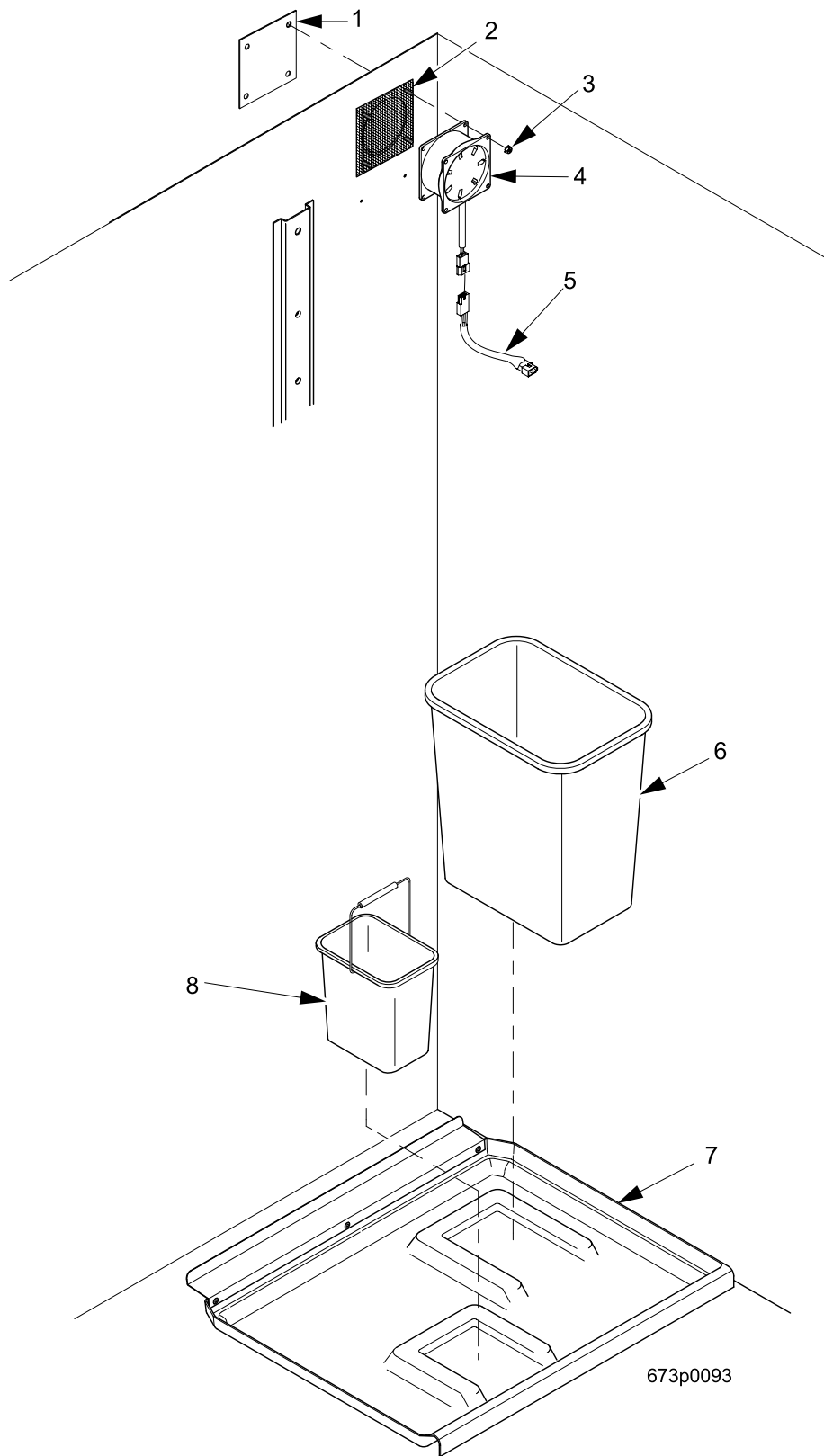


FIGURE 20: CABINET MISCELLANEOUS PARTS

TABLE 20: CABINET MISCELLANEOUS PARTS

INDEX	PART NUMBER	DESCRIPTION	QTY
1	6231529	COVER - EXHAUST FAN	--
2	6231528	SCREEN - EXHAUST FAN	1
3	9900078	NUT #6-32 KEPS ZINC PLATE	--
4	6231526	EXHAUST FAN	1
5	6339000	HARNESS - INTERLOCK TO EXHAUST FAN	1
6	6231475	BUCKET - GROUNDS	1
7	6731046	LINER ASSEMBLY - FLOOR	1
8	6201025	WASTE BUCKET	1

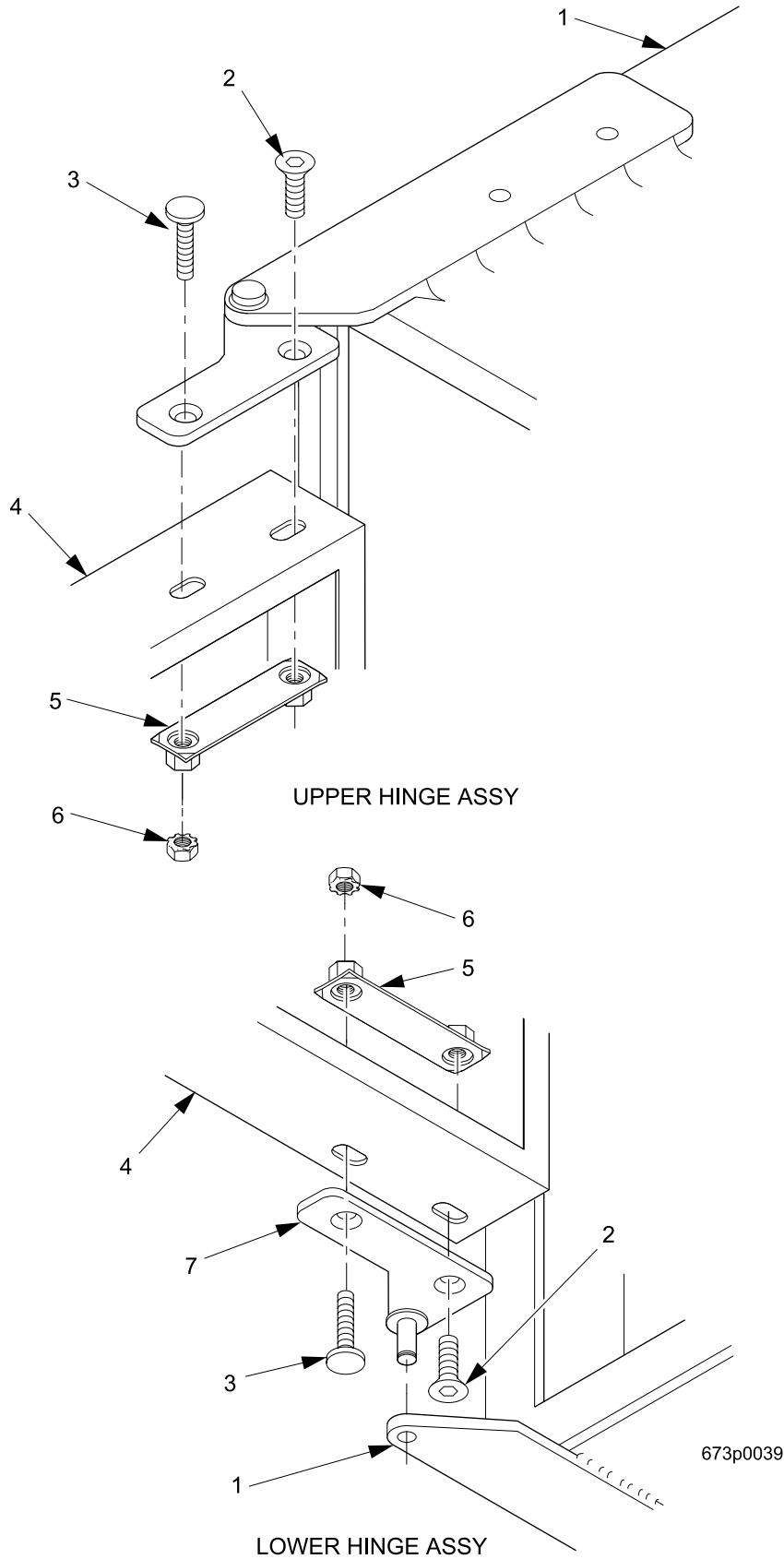


FIGURE 21: DOOR HINGE ASSEMBLY - UPPER AND LOWER

TABLE 21: DOOR HINGE ASSEMBLY - UPPER AND LOWER

INDEX	PART NUMBER	DESCRIPTION	QTY
1	6731037	CABINET ASSEMBLY - N.V. BLACK NOTE: (UPPER HINGE ASSEMBLY ONLY)	1
2	6232036	SCREW - 5/16-18X.75 FLT.HDSOCKET	2
3	6232208	WELD SCREW - #1/4-20 X 1"LG	2
4	6732204	DOOR WELD ASSY.-PAINTED BLACK	1
5	6232028	PLATE ASSEMBLY - HINGE MOUNTING	2
6	1211105	1/4-20 KEPS NUT EXT LW ZP	2
7	6232031	HINGE ASSEMBLY - DOOR - LOWER NOTE: (LOWER HINGE ASSEMBLY ONLY)	1

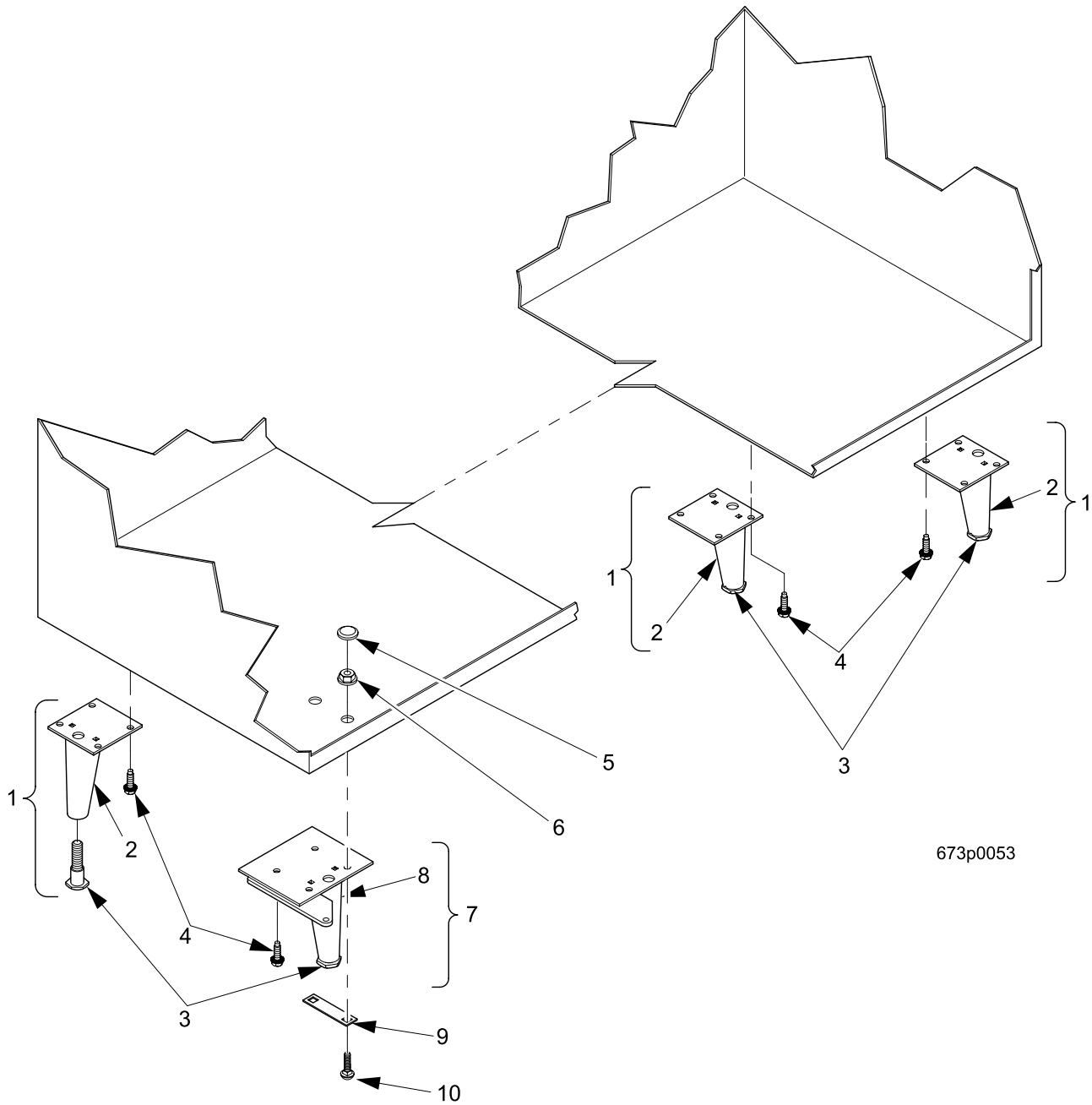
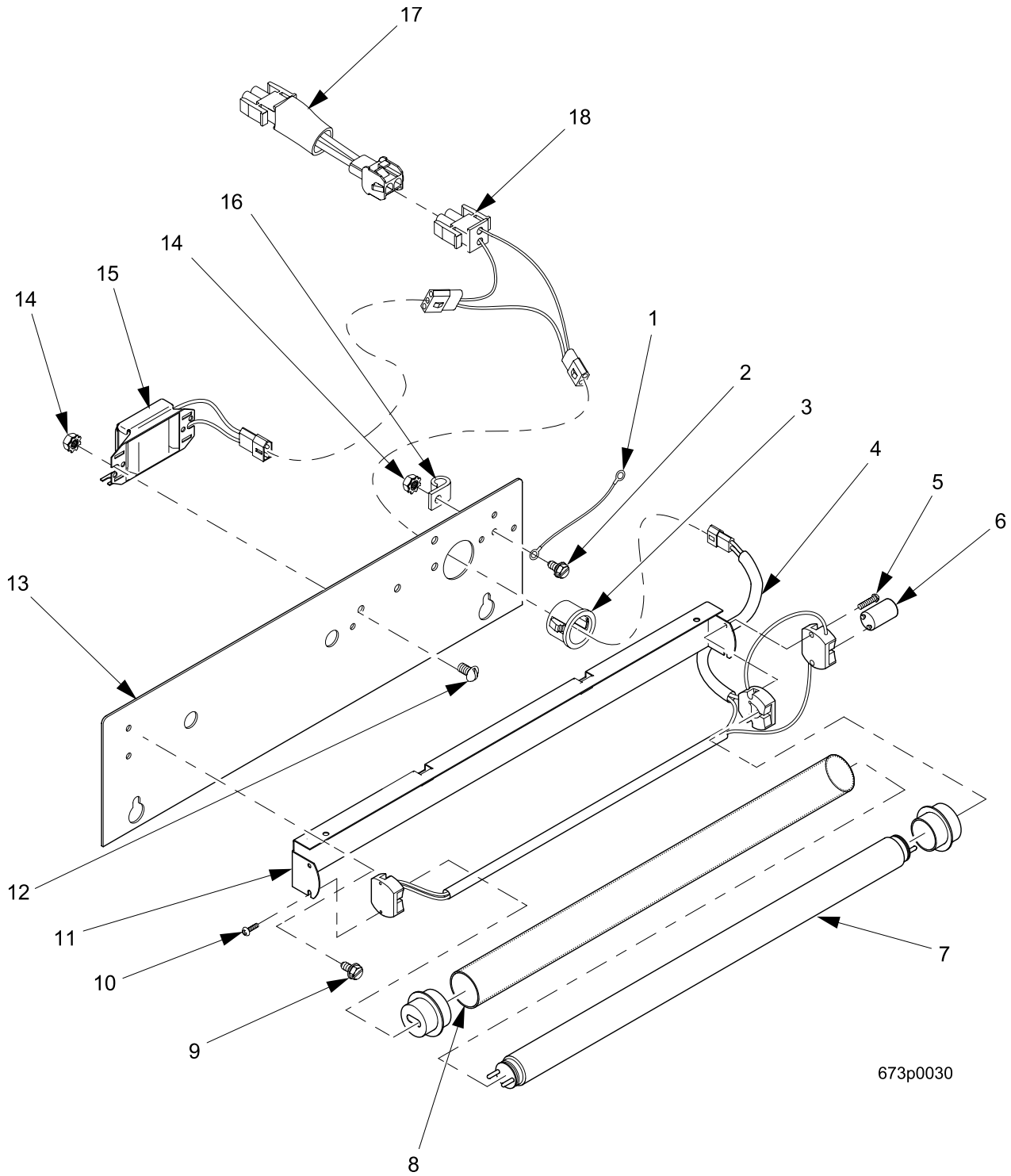


FIGURE 22: LEG ASSEMBLY

TABLE 22: LEG ASSEMBLY

INDEX	PART NUMBER	DESCRIPTION	QTY
1	1471237	LEG & LEVELER ASSEMBLY - CABINET	3
2	4311068	LEG ASSEMBLY - CABINET - WELD	1
3	1471098	LEVELER - CABINET	1
4	9900218	SCREW - #5/16 X 1 W/LOCKING RIN	--
5	6231034	PLUG - HOLE	2
6	1172021	NUT - 1/4-20 WHIZ - LOCK	--
7	6231163	LEG, HINGE & LEVELER ASSEMBLY	1
8	1571115	LEG & HINGE ASSEMBLY - WELD	1
9	6231203	PLATE - HINGE LEG BOLT	1
10	1211112	TRAY BOLT	2



673p0030

FIGURE 23: CABINET SERVICE - LIGHT BRACKET ASSEMBLY

TABLE 23: CABINET SERVICE - LIGHT BRACKET ASSEMBLY

INDEX	PART NUMBER	DESCRIPTION	QTY
1	9984094	WIRE - GROUND - 14"	1
2	3157060	SCREW - #8-32 X .31 HEX W/ HD. S	3
3	3106154	BUSHING #SB875-11	1
4	2346016	HARNESS - FLUORESCENT LIGHT	1
5	3107171	SCREW - #4-36 X 5/8 RHS	2
6	2222095	STARTER FS-2, FLUORSCNT LAMP	1
7	2222096	FLOURESCENT LAMP #F15T8CW, KB	1
8	6232305	SAFETY SLEEVE & END CAP ASSEMBLY	1
9	3157068	SCREW - #8-32 X.31 HXHD T/F 3/8W	1
10	9900219	SCREW - #4-36 X .437 RH PHILLIPS	--
11	2272036	BRACKET LOWER LIGHT	1
12	1170206	SCREW - #8-32X3/8 PHILLIPS TRUSS	--
13	6231559	BRACKET - SERVICE LIGHT	1
14	9900081	NUT #8-32 KEPS ZINC PLATE	--
15	1602084	BALLAST ASSEMBLY - 14/20 WATT	1
16	1452139	RETAINER - HARNESS	1
17	1679005	FLOURESCENT LIGHT FILTER - 120/230V	1
18	3156032	JUMPER - FILTER AND FLUORESCENT LIGHT	1

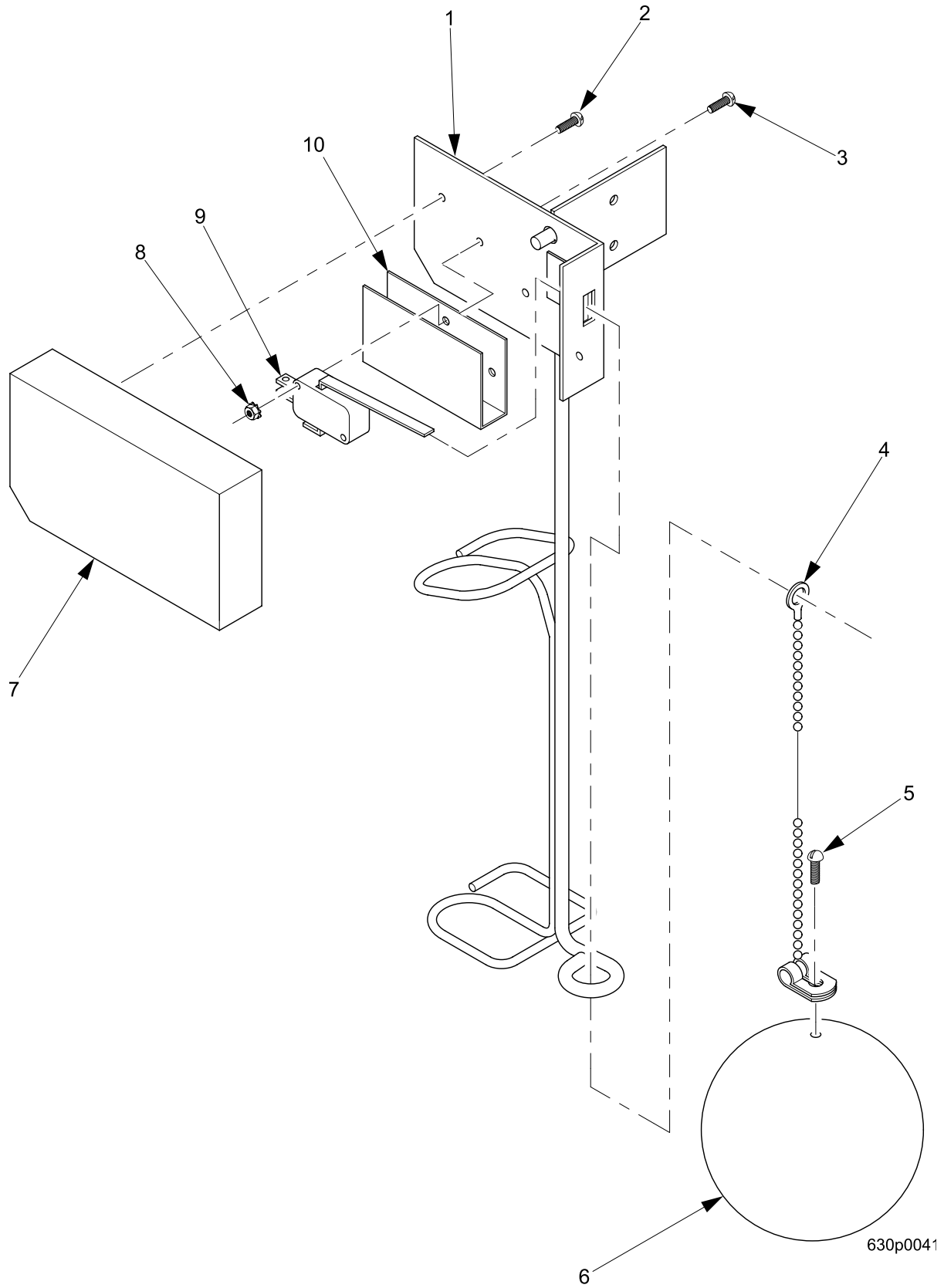


FIGURE 24: OVERFLOW SWITCH ASSEMBLY

TABLE 24: OVERFLOW SWITCH ASSEMBLY

INDEX	PART NUMBER	DESCRIPTION	QTY
1	6231507	BRACKET ASSEMBLY - OVERFLOW SW.	1
2	9900012	SCREW #6-32 X 1/4 RHS S/T	--
3	1217160	4-40X5/8 RHS M SCREW Z/Y	--
4	6151131	CHAIN - OVERFLOW SWITCH	1
5	4047054	SCREW - #8-18X1/2 RHS T/	--
6	3116127	FLOAT - OVERFLOW SWITCH	1
7	6231135	COVER - OVERFLOW SWITCH	1
8	1217159	4-40 KEPS W/EXT L/WAS H ZP	--
9	9984639	SWITCH-LEVER	1
10	3121150	INSULATION - OVERFLOW SWITCH	1

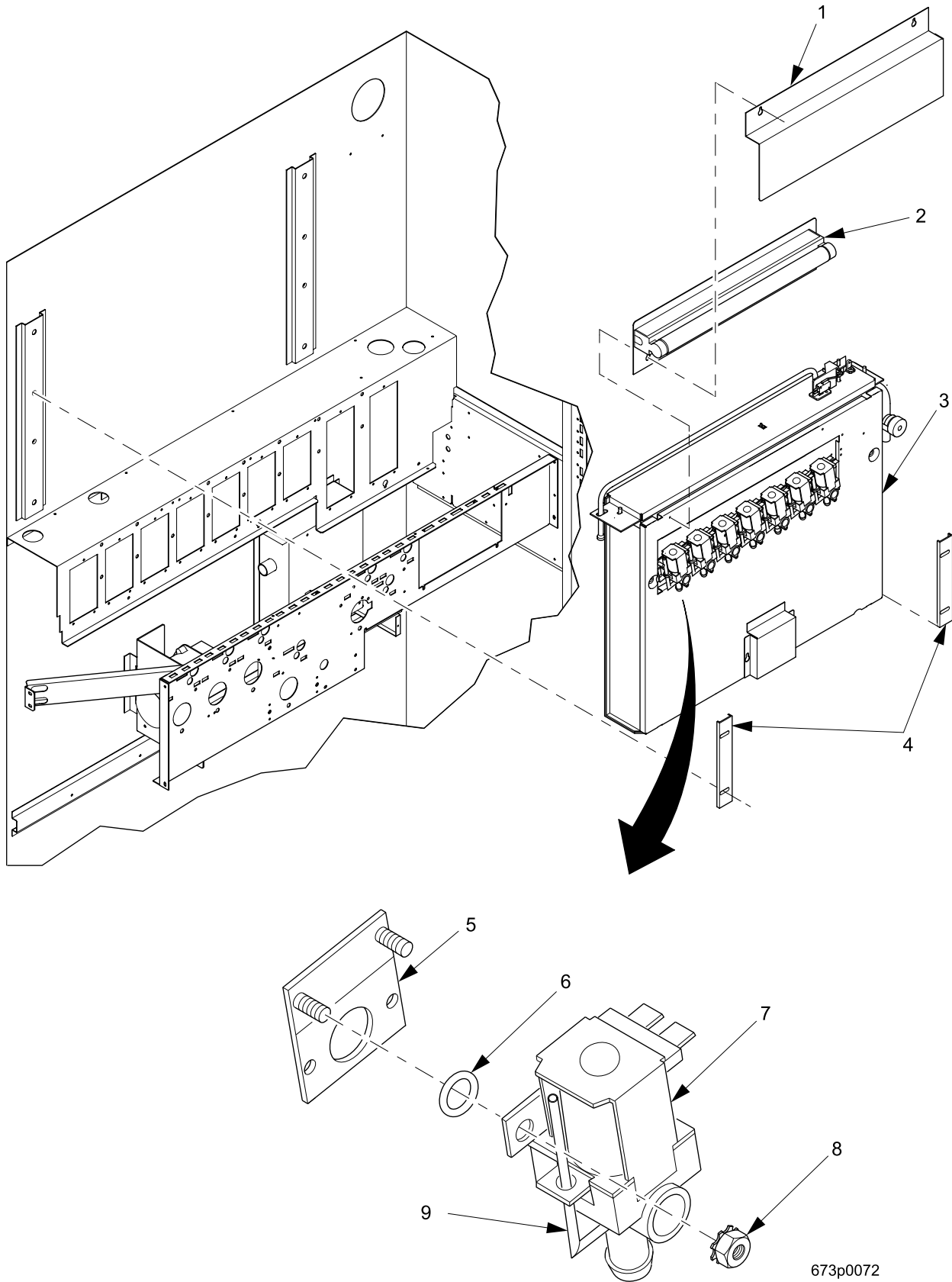
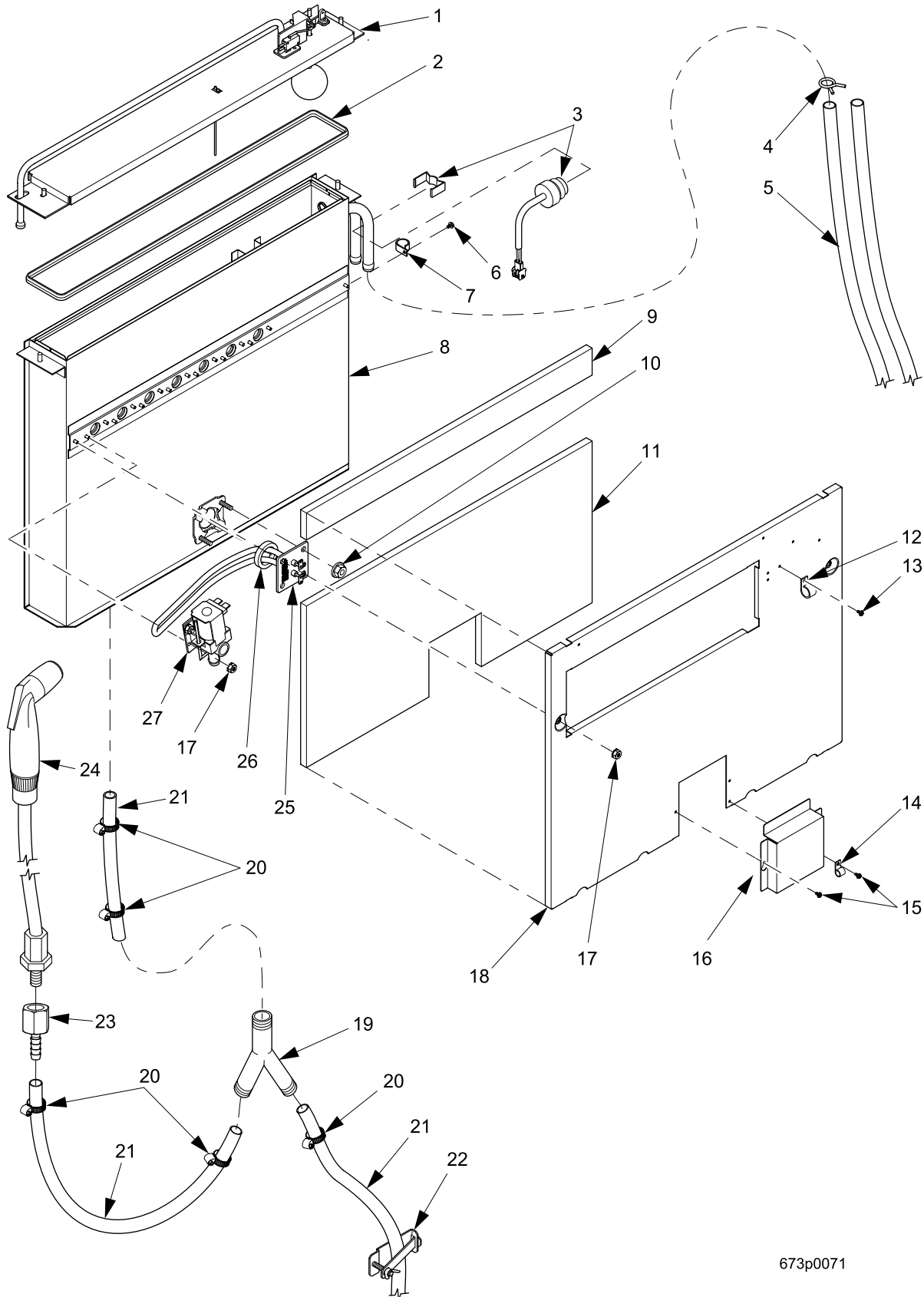


FIGURE 25: HOT WATER VALVE ASSEMBLY - 115V

TABLE 25: HOT WATER VALVE ASSEMBLY - 115V

INDEX	PART NUMBER	DESCRIPTION	QTY
1	6338058	COVER - HOT WATER VALVES	1
2	6231372	SERVICE LIGHT / BRACKET ASSEMBLY - DOMESTIC	1
3	6738005	WATER TANK ASSEMBLY - BASIC - DOMESTIC	1
4	6231036	CLAMP - WATER TANK	2
5	6238113	VALVE MOUNTING PLATE & STUD ASSEMBLY	1
6	6238074	"O" RING - .48 I.D.X .10	1
7	6338053	VALVE - HOT WATER TANK - 120V - K56778-53	1
8	9900081	NUT #8-32 KEPS ZINC PLATE	--
9	6338054	VENT - ELBOW - SIEBE K72876	1



673p0071

FIGURE 26: WATER TANK ASSEMBLY

TABLE 26: WATER TANK ASSEMBLY

INDEX	PART NUMBER	DESCRIPTION	QTY
--	6738034	WATER TANK ASSEMBLY - BASIC - DOMESTIC	--
1	6738050	LID ASSEMBLY - FINAL - HOT WATER TANK	--
2	6738032	GASKET - CONTINUOUS - HDC 2	1
3	6729000	SAFETYSTAT ASSEMBLY - 7/8	1
4	3118035	CLAMP - HOSE 1/0 CORBIN A 13	2
5	6238090	IN TUBING - 13/16 OD X 5/8 ID BLACK	128"
6	1451097	SCREW - #8-32X.31 HEX HD.TF - BLACK	--
7	6231035	HARNESS CLIP - .750	3
8	6738015	WELD ASSEMBLY - WATER TANK	1
9	6238137	INSULATION - TOP - HOT WATER TANK	1
10	1172021	NUT - 1/4-20 WHIZ - LOCK	--
11	6238136	INSULATION - BOTTOM - HOT WATER TANK	1
12	4751060	RETAINER - HARNESS	--
13	1451097	SCREW - #8-32X.31 HEX HD.TF - BLACK	--
14	1452139	RETAINER - HARNESS	2
15	1451097	SCREW - #8-32X.31 HEX HD.TF - BLACK	--
16	6238104	COVER - HEATER - WATER TANK	1
17	9900081	NUT #8-32 KEPS ZINC PLATE	--
18	6738033	COVER - FRONT - WATER TANK	1
19	6158007	Y CONNECTOR - 1/2 OD X 3/8 ID	1
20	6158063	CLAMP HOSE	2
21	6338021	TUBING - SILICONE - .375IDX.562OD	2
22	6408154	PINCH CLAMP ASSEMBLY	1
23	6338059	FITTING - PARKER #126HBL-6-2	1
24	6338060	SPRAY HOSE - 48"	1
25	6738010	HEATER-1550W-120V	1
26	6508006	GASKET HEATER	1
27	6238112	VALVE ASSEMBLY - KIT W/BRACKET, O'RING, NUTS - 115V --	

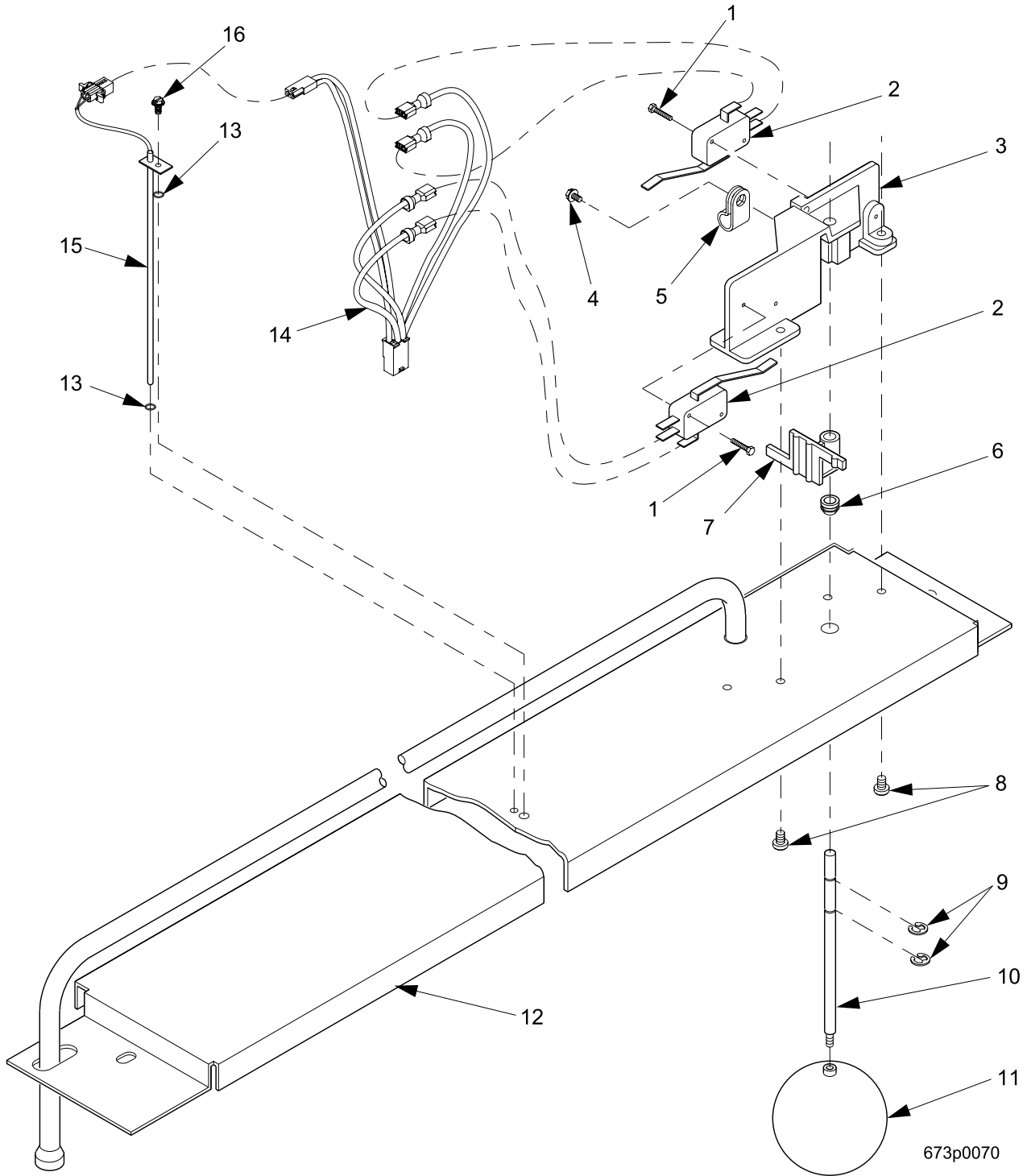
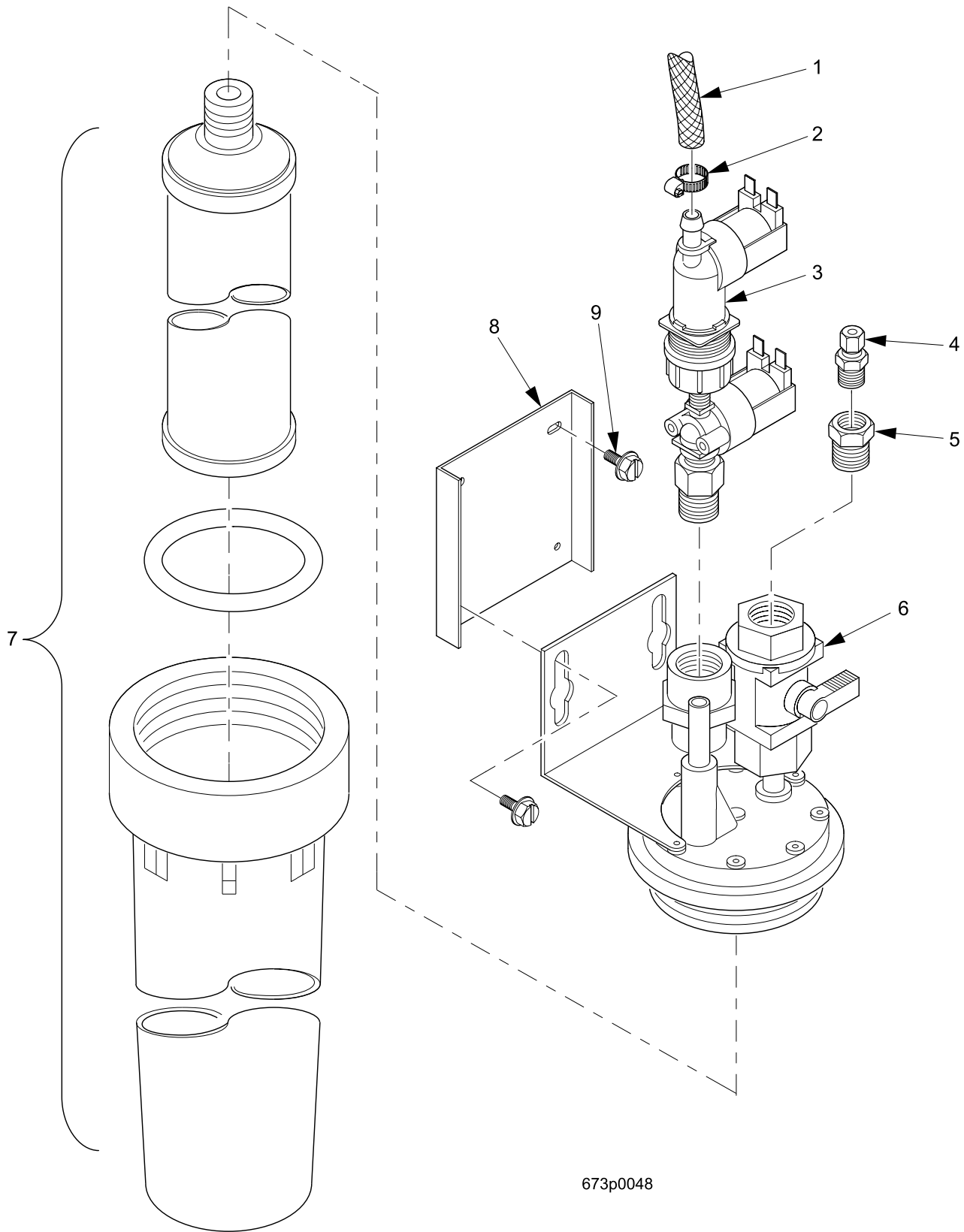


FIGURE 27: WATER TANK - LID ASSEMBLY

TABLE 27: WATER TANK - LID ASSEMBLY

INDEX	PART NUMBER	DESCRIPTION	QTY
1	4322141	SCREW - #3-24X.62 PLASTITE PM	4
2	6238084	SWITCH - LEVER - 10 GRAM	2
3	6238068	BRACKET - MOUNTING - SWITCH	1
4	1451097	SCREW - #8-32X.31 HEX HD.TF - BLACK	--
5	1211161	CABLE CLAMP - RICHCO#N4	1
6	6338050	BEARING - LID - HOT WATER TANK	1
7	6138183	ACTUATOR SWITCH	1
8	6237049	SCREW - #8-16X.25 - SLTD - PHS	3
9	6124073	RETAINING RING REINF E TYP.156	--
10	6338049	SHAFT - FLOAT	1
11	6508033	FLOAT WATER TANK	1
12	6738027	WELD ASSEMBLY - LID HWT	1
13	6138287	O RING	2
14	6339021	HARNESS - FLOAT SWITCHES	1
15	6738008	SENSOR - TEMPERATURE - HOT WATER TANK	1
16	6234295	SCREW - #8-32X.38 HHS W/LW	2

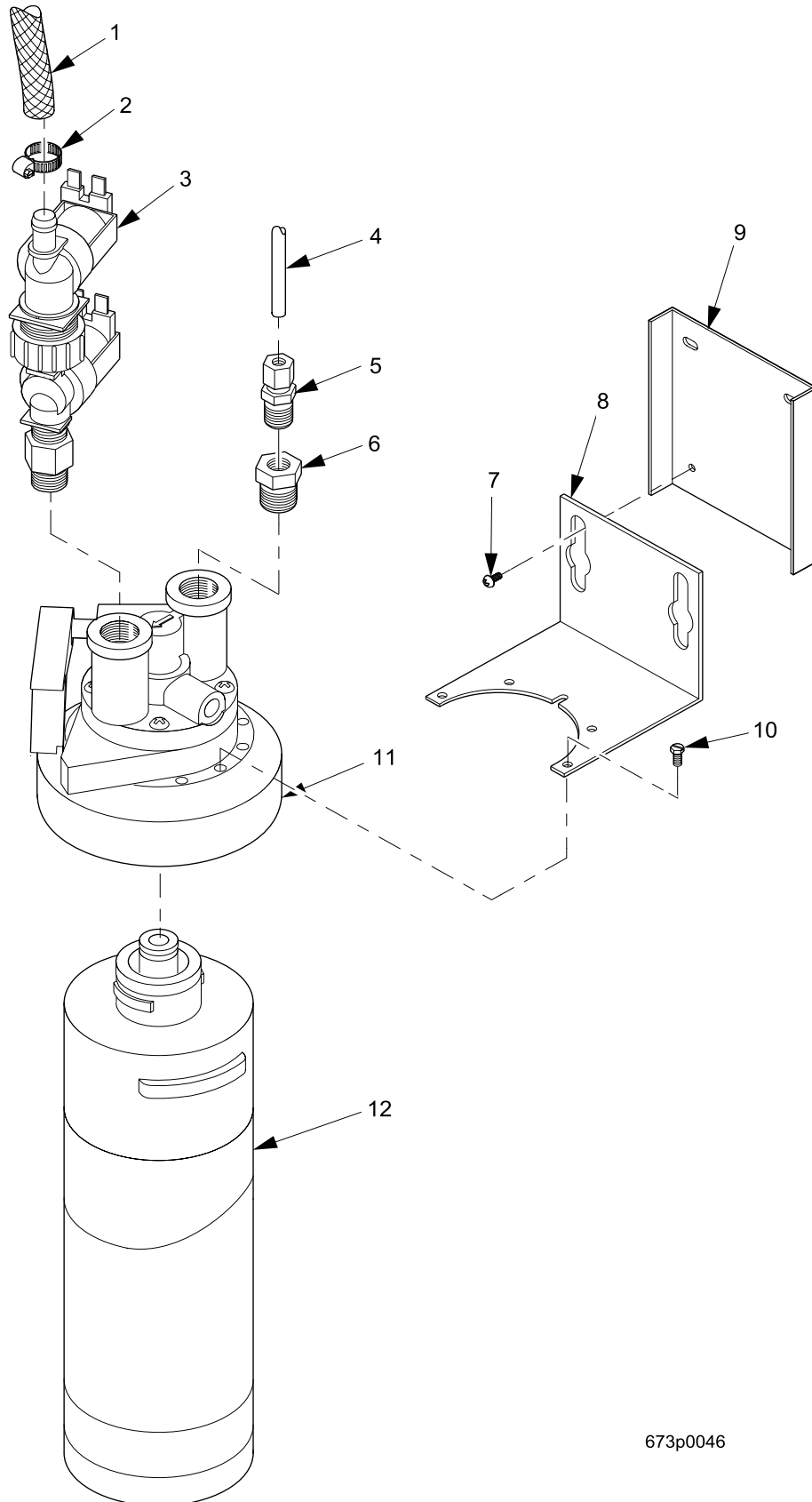


673p0048

FIGURE 28: FILTER AND HEAD ASSEMBLY - HYDRO LIFE 115V

TABLE 28: FILTER AND HEAD ASSEMBLY - HYDRO LIFE 115V

INDEX	PART NUMBER	DESCRIPTION	QTY
1	6238166	TUBE - LONG INLET - WATER TANK LID	1
2	9900603	CLAMP - STAINLESS STEEL	2
3	3158061	VALVE ASSEMBLY - WATER INLET - 115V	1
4	6408119	MALE CONCTOR - BRASS #4-4-FBI2-B	3
5	6408117	BUSHING - 1/4X3/8 - BRASS - 209P-6-4	1
6	6338027	HEAD - BRACKET ASSEMBLY - HLV192 - G6710	1
7	6408028	HOUSING, CARTRIDGE, "O" RING - HLV192H	1
8	6231142	PLATE - WATER FILTER	1
9	1451097	SCREW - #8-32X.31 HEX HD.TF - BLACK	4

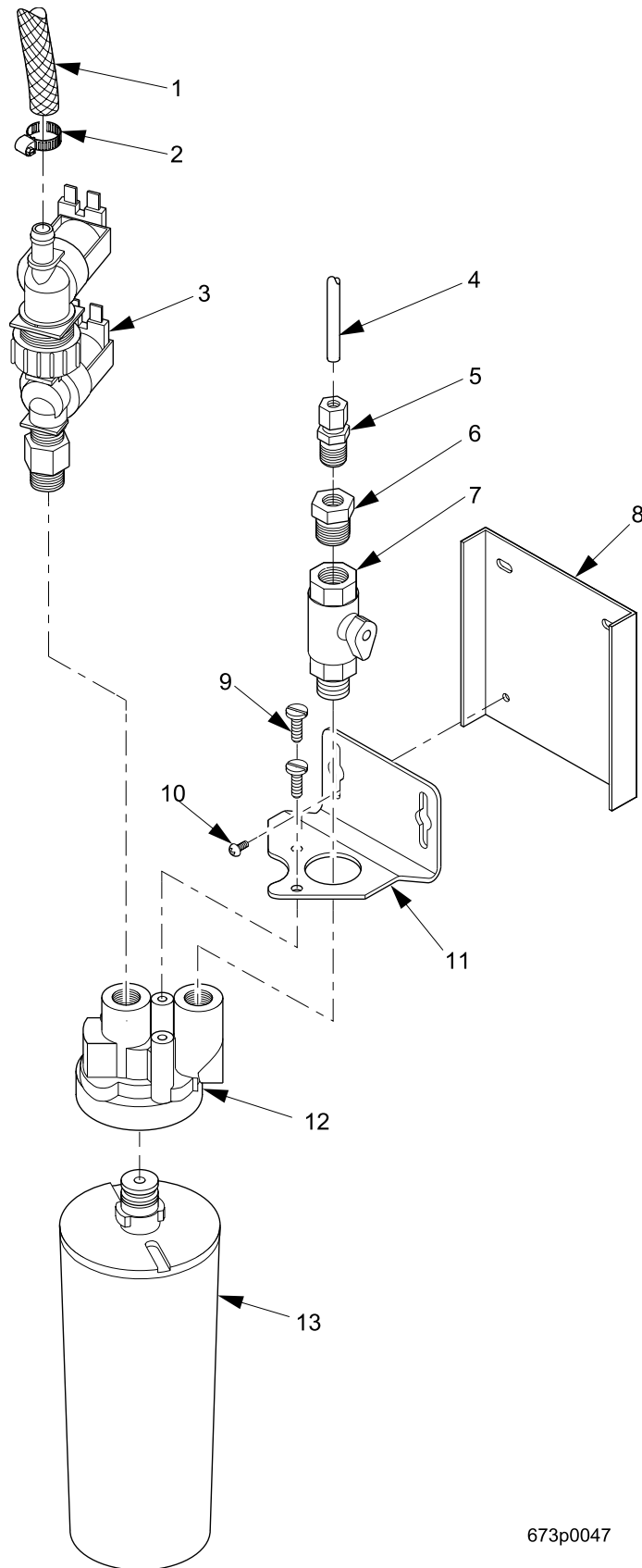


673p0046

FIGURE 29: FILTER HEAD ASSEMBLY - EVERPURE 115V

TABLE 29: FILTER HEAD ASSEMBLY - EVERPURE 115V

INDEX	PART NUMBER	DESCRIPTION	QTY
1	6238166	TUBE - LONG INLET - WATER TANK LID	1
2	9900603	CLAMP - STAINLESS STEEL	2
3	3158061	VALVE ASSEMBLY - WATER INLET - 115V	1
4	6338016	TUBING - INLET - W/FILTER OPT	1
5	6408119	MALE CONCTOR - BRASS #4-4-FBI2-B	3
6	6408117	BUSHING - 1/4X3/8 - BRASS - 209P-6-4	1
7	1451097	SCREW - #8-32X.31 HEX HD.TF - BLACK	2
8	3158023	BRACKET - MOUNTING - WATER FILTER #3046-44	1
9	6231142	PLATE - WATER FILTER	1
10	9900205	SCREW #10-32 X 3/8 HEX HD	--
11	6408134	FILTER HEAD - EVERPURE #9257-12	1
12	6118071	CARTRIDGE - WATER - FILTER - 9611-00-4H	1



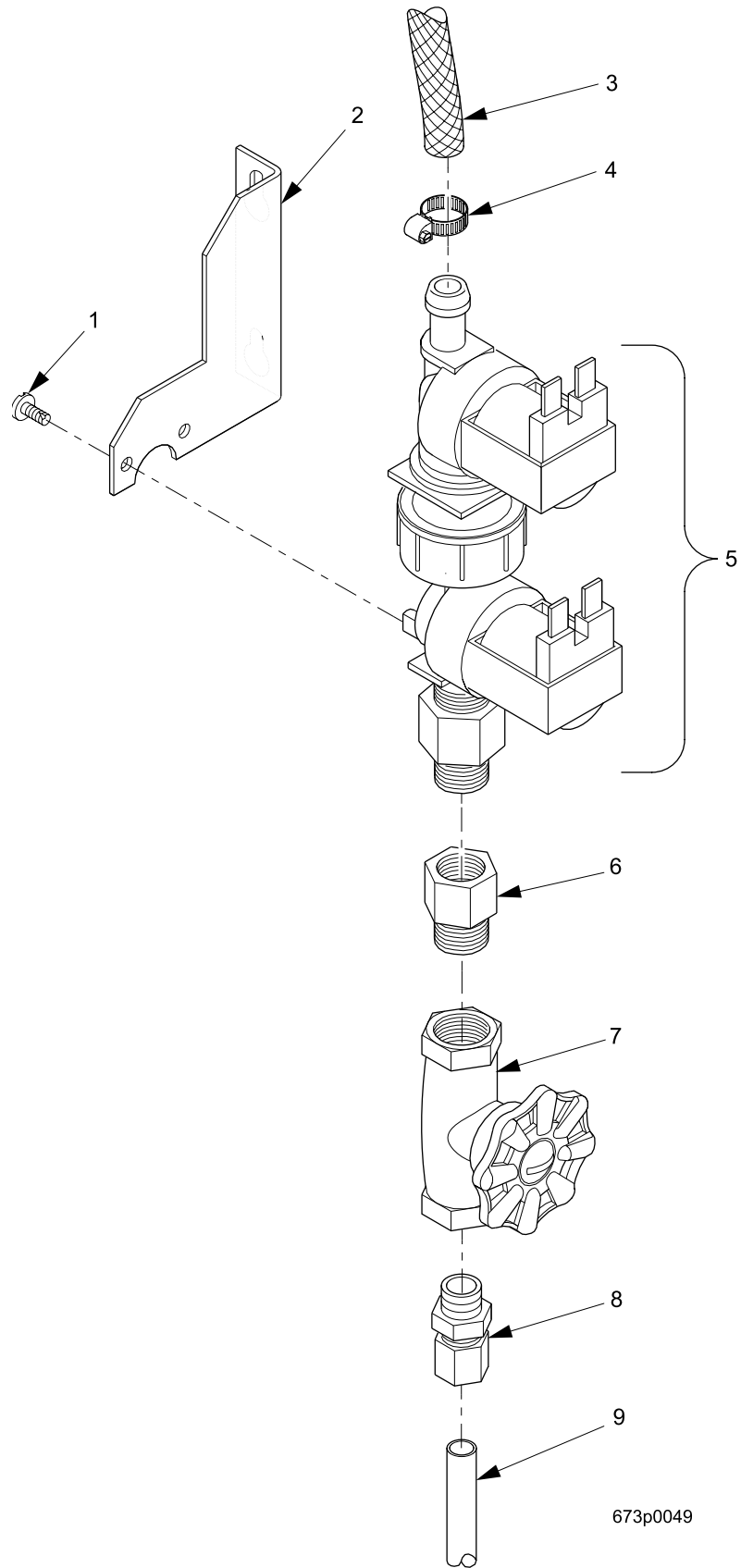
673p0047

FIGURE 30: FILTER HEAD ASSEMBLY - CUNO 115V

TABLE 30: FILTER HEAD ASSEMBLY - CUNO 115V

INDEX	PART NUMBER	DESCRIPTION	QTY
1	6238166	TUBE - LONG INLET - WATER TANK LID	1
2	9900603	CLAMP - STAINLESS STEEL	2
3	3158061	VALVE ASSEMBLY - WATER INLET - 115V	1
4	6338016	TUBING - INLET - W/FILTER OPT	1
5	6408119	MALE CONCTOR - BRASS #4-4-FBI2-B	3
6	6408117	BUSHING - 1/4 X 3/8 - BRASS - 209P-6-4	1
7	6408113	BALL VALVE - 3/8" - TTC	1
8	6231142	PLATE - WATER FILTER	1
9	7207027	SCREW #10-16 X 5/8 PHS	2
10	1451097	SCREW - #8-32X.31 HEX HD.TF - BLACK	2
11	6408115	BRACKET - CUNO WATER FILTER HD#69682-31	1
12	6408114	FILTER HEAD - CUNO #68375-01	1
13	6338015	WATER FILTER - CUNO - HOT - 12/CS	1

Note: Water Valve is Not Shown, (SEE FIGURE 31)

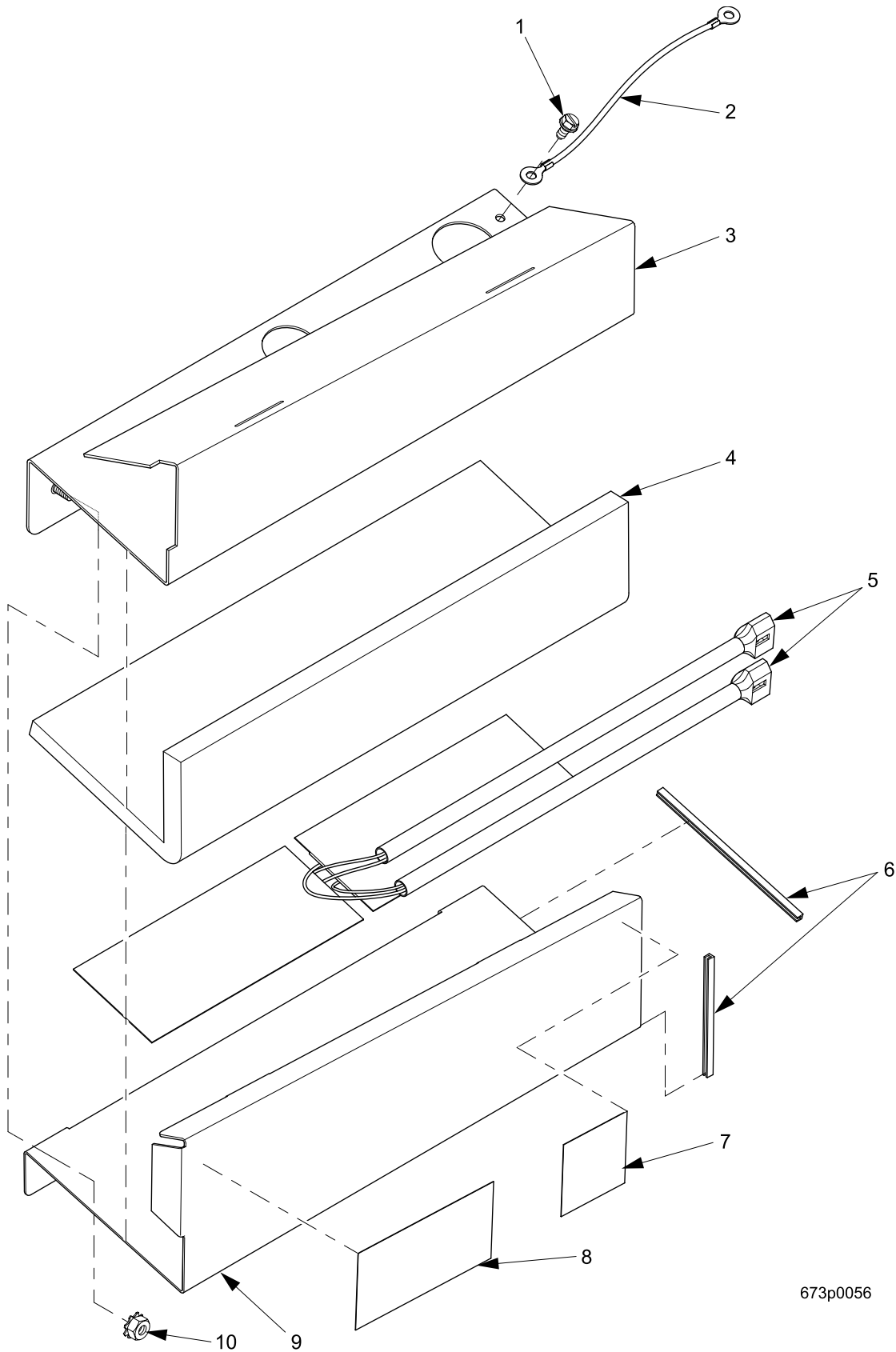


673p0049

FIGURE 31: BRACKET AND VALVE ASSEMBLY

TABLE 31: BRACKET AND VALVE ASSEMBLY

INDEX	PART NUMBER	DESCRIPTION	QTY
1	9900203	SCREW #6-20 X 3/8 PHS T/C	--
2	6231501	SUPPORT - INLET WATER VALVE	1
3	6238166	TUBE - LONG INLET - WATER TANK LID	1
4	9900603	CLAMP - STAINLESS STEEL	2
5	3158061	VALVE ASSEMBLY - WATER INLET - 115V	1
6	6231503	ADAPTER - 3/8 - 1/4 #222P-6-4	1
7	3108048	VALVE WATER - CONBRACO #57-001-01	1
8	6408119	MALE CONCTOR - BRASS #4-4-FBI2-B	3
9	6338017	TUBING - INLET LINE - NO FILTER	1



673p0056

FIGURE 32: HEATER ASSEMBLY - 115V / 50W (OPTIONAL)

TABLE 32: HEATER ASSEMBLY - 115 / 50W (OPTIONAL)

INDEX	PART NUMBER	DESCRIPTION	QTY
1	3157060	SCREW - #8-32 X .31 HEX W/ HD. S	3
2	9984094	WIRE - GROUND - 14"	1
3	6361040	HEATER/TUBE COVER ASSEMBLY	1
4	6361042	INSULATOR - HEATER	1
5	6369000	HEATER - 230V/100W - SILICONE	1
6	3156015	GROMMET - CONTINUOUS	3.4
7	6231189	LABEL - WARNING - HIGH VOLTAGE	2
8	6231188	LABEL - CAUTION - HOT SURFACE	1
9	6361041	COVER - HEATER	1
10	4402043	NUT - #8-32 W/L.W.-S.S	2

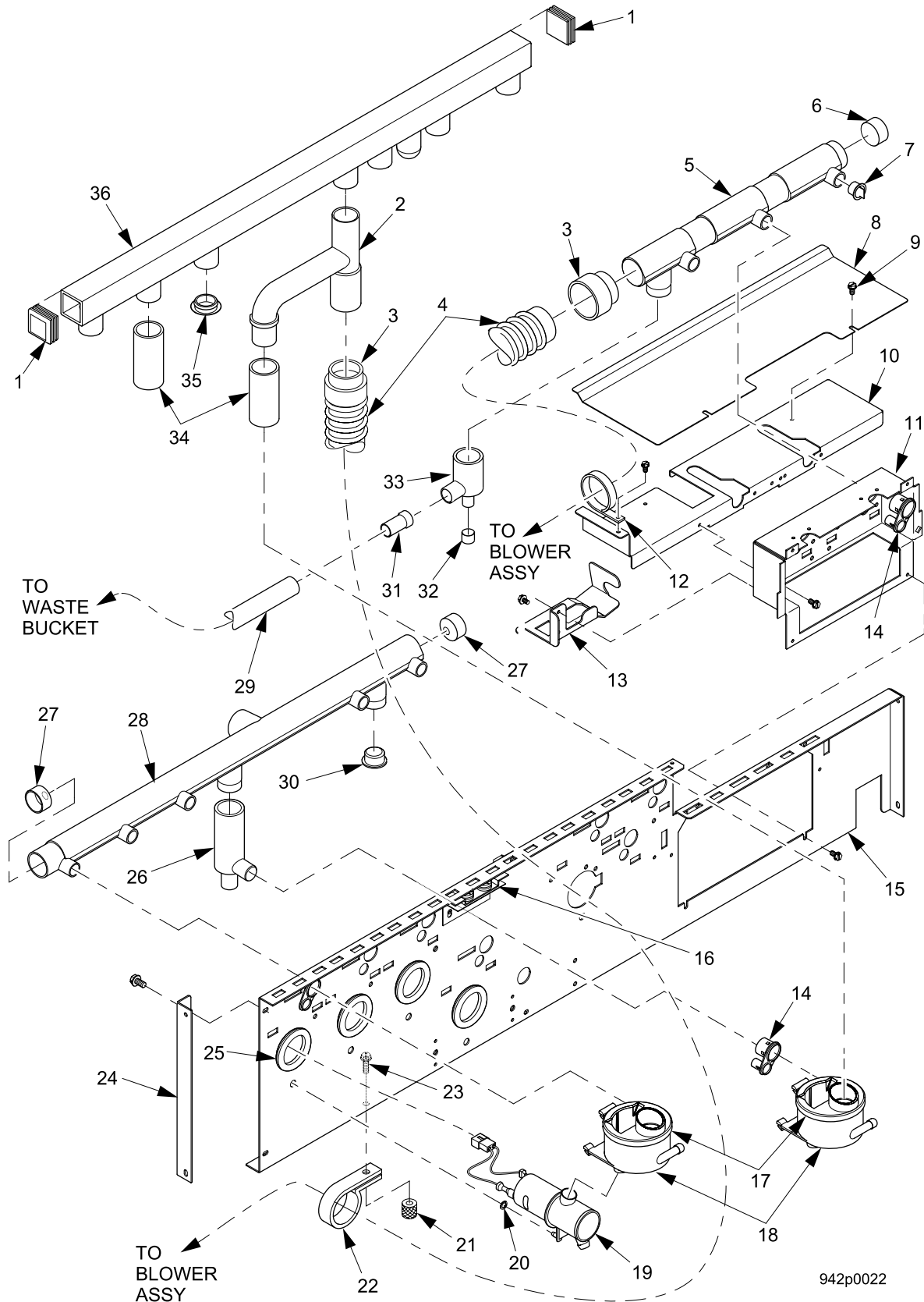
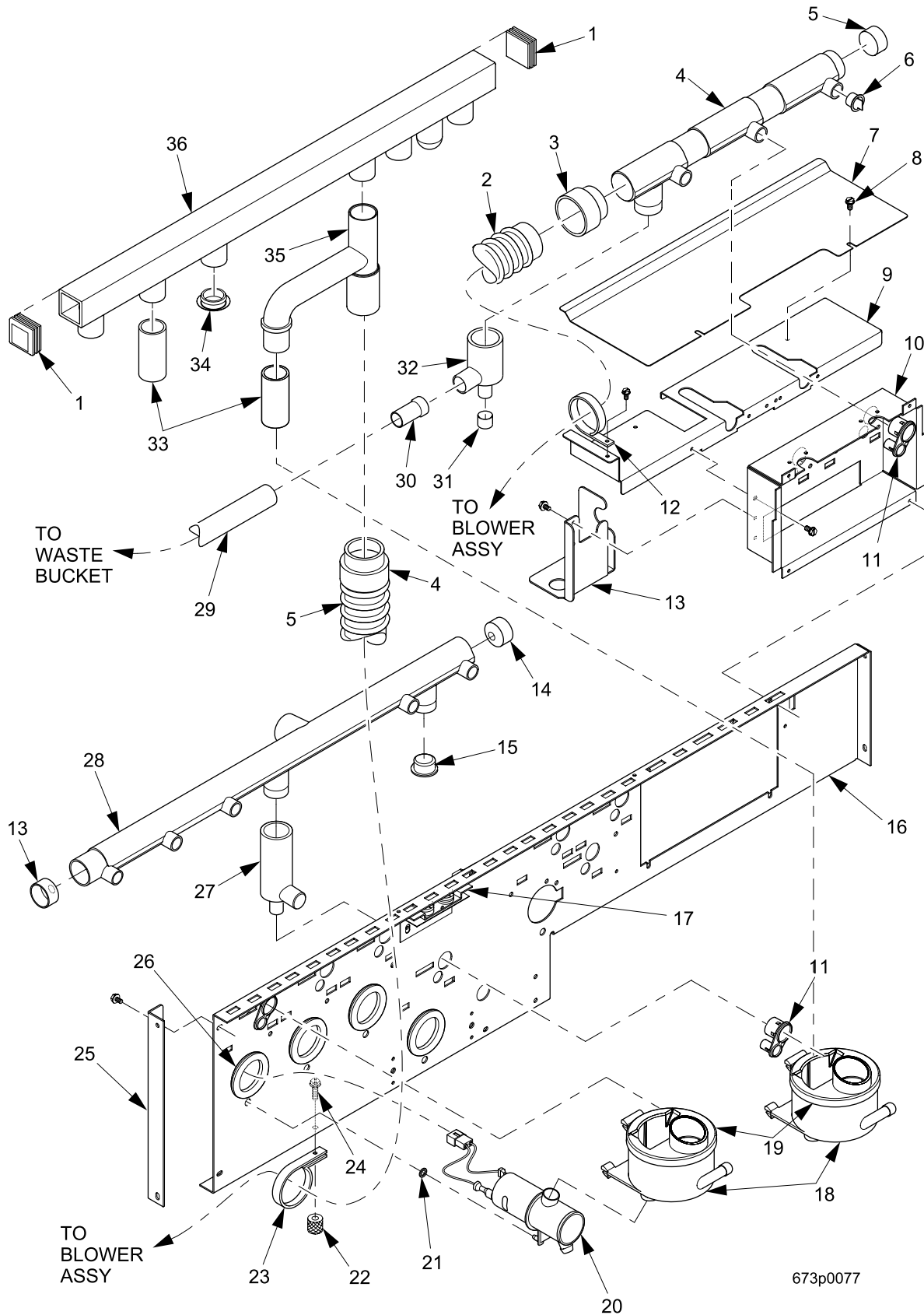


FIGURE 33: CANISTER SUPPORT ASSEMBLY - DUAL GRINDER

TABLE 33: CANISTER SUPPORT ASSEMBLY - DUAL GRINDER

INDEX	PART NUMBER	DESCRIPTION	QTY
--	6734085	VENT ASSEMBLY - REAR BOWL - SINGLE FRESH BREW (INCLUDES ITEMS 1, 3, 4, 5, 6, 31, 31, 33)	1
1	6337082	CAP - MANIFOLD	2
2	6337044	VENT - SUGAR/LIGHTENER - ADAPTOR	1
3	6137157	COUPLING VENT HOSE	4
4	6737011	HOSE - EXHAUST - COFFEE CHUTE	1
5	6734083	VENT REAR BOWL	1
6	6237347	VINYL CAP - 1.00 X .50 LG	1
7	6237303	PLUG - CENTER PULL - .56	1
8	6737019	COVER-BREWER-UPPER	1
9	1451097	SCREW - #8-32X.31 HEX HD.TF - BLACK	--
10	6734090	RETAINER - VENT HOSE	1
11	9447012	MOUNTING BRKT MIXING BOWL	1
12	3631171	CLIP - HARNESS - 1.50	1
13	6774002	RETAINER-HOSE-BREWER-DUAL GR.	1
14	6237315	RETAINER - TUBE - MIXING BOWL	8
15	6731057	CHNL. W/A - CAN. SUPPORT - DUAL GRD.	1
16	6337057	CANISTER SUPPORT ASSEMBLY - LIGHTNER	1
17	6537019	VENT & DIVIDER ASSEMBLY	6
18	6537030	MIXING BOWL (SEE FIGURE 66)	6
19	6237195	WHIPPER ASSEMBLY - DRINK	4
20	2302223	GROMMET - 3/16	4
21	9900214	NUT - KNURL - CANISTER	1
22	4254012	CLAMP - 1.375	1
23	4741050	SCREW - #8-32 X .50 HX.HD. - T/F - BLACK	1
24	6731007	BRACKET - CAN. SUPPORT - LEFT	1
25	6237115	GROMMET - WHIPPER MOUNTING	4
26	6237336	VENT - EXTENSION - SUGAR/LIGHTENER	1
27	6237335	VINYL CAP - 1.000 I.D.X .50 LG.-	2
28	6337110	VENT - SHELF - DUAL FRESH BREW - W/6TH PRODUCT	1
29	6338021	TUBING - SILICONE - .375IDX.562OD	34"
30	6237301	PLUG CENTER PULL - .93	1
31	6237314	TUBE - ADAPTER	1
32	6237306	VINYL CAP - .38 I.D.	1
33	6734086	VENT - DRAIN - SHORT	1
34	6337049	TUBE - EXTENSION - SILICONE	2
35	6337093	PLUG - HOLE - 7/8 DIA.	1
36	6537031	VENT - FRONT - DUAL FRESH BREW 7TH PRODUCT	1

NOT SHOWN 9441004 KIT - 944 EXHAUST



673p0077

FIGURE 34: CANISTER SUPPORT ASSEMBLY - DUAL/FRESH BREWED W/ 7TH PRODUCT

TABLE 34: CANISTER SUPPORT ASSEMBLY - DUAL/FRESH BREWED W/ 7TH PRODUCT

INDEX	PART NUMBER	DESCRIPTION	QTY
-	6734084	VENT ASSEMBLY - REAR BOWL (INCLUDES ITEMS 1, 4, 5, 29, 30, 32)	1
1	6337082	CAP - MANIFOLD	2
2	6337011	HOSE - EXHAUST - COFFEE CHUTE	2
3	6137157	COUPLING VENT HOSE	4
4	6734083	VENT REAR BOWL	1
5	6237347	VINYL CAP - 1.00 X .50	1
6	6237303	PLUG - CENTER PULL - .56	1
7	6737019	COVER-BREWER-UPPER	1
8	1451097	SCREW - #8-32X.31 HEX HD.TF - BLACK	--
9	6734080	RETAINER - VENT HOSE	1
10	6734115	MOUNTING - MIXING BOWLS	1
11	6237315	RETAINER - TUBE - MIXING BOWL	8
12	3631171	CLIP - HARNESS - 1.50	1
13	6734014	RETAINER - HOSE - BREWER	1
14	6237335	VINYL CAP - 1.000 I.D.X .50 LG.-	2
15	6237301	PLUG CENTER PULL - .93	1
16	6731056	CHANNEL ASSEMBLY - CAN SUPPORT	1
17	6337057	CANISTER SUPPORT ASSEMBLY - LIGHTNER	1
18	6537030	MIXING BOWL (SEE FIGURE 66)	6
19	6537019	VENT & DIVIDER ASSEMBLY	6
20	6237195	WHIPPER ASSEMBLY - DRINK	4
21	2302223	GROMMET - 3/16	4
22	9900214	NUT - KNURL - CANISTER	1
23	4254012	CLAMP - 1.375	1
24	4741050	SCREW - #8-32 X .50 HX.HD. - T/F - BLACK	1
25	6731007	BRACKET - CAN. SUPPORT - LEFT	1
26	6237115	GROMMET - WHIPPER MOUNTING	4
27	6237336	VENT - EXTENSION - SUGAR/LGHTENER	1
28	6337110	VENT - SHELF - DUAL FRESH BREW - W/6TH PRODUCT	1
29	6338021	TUBING - SILICONE - .375IDX.562OD	34"
30	6237314	TUBE - ADAPTER	1
31	6237306	VINYL CAP - .38 I.D.	1
32	6734086	VENT - DRAIN - SHORT	1
33	6337049	TUBE - EXTENSION - SILICONE	2
34	6337093	PLUG - HOLE - 7/8 DIA.	1
35	6337044	VENT - SUG/LIT - ADAPTOR	1
36	6551005	VENT - FRONT - BOWL - FREEZE DRIED - 7 PRODUCT	1

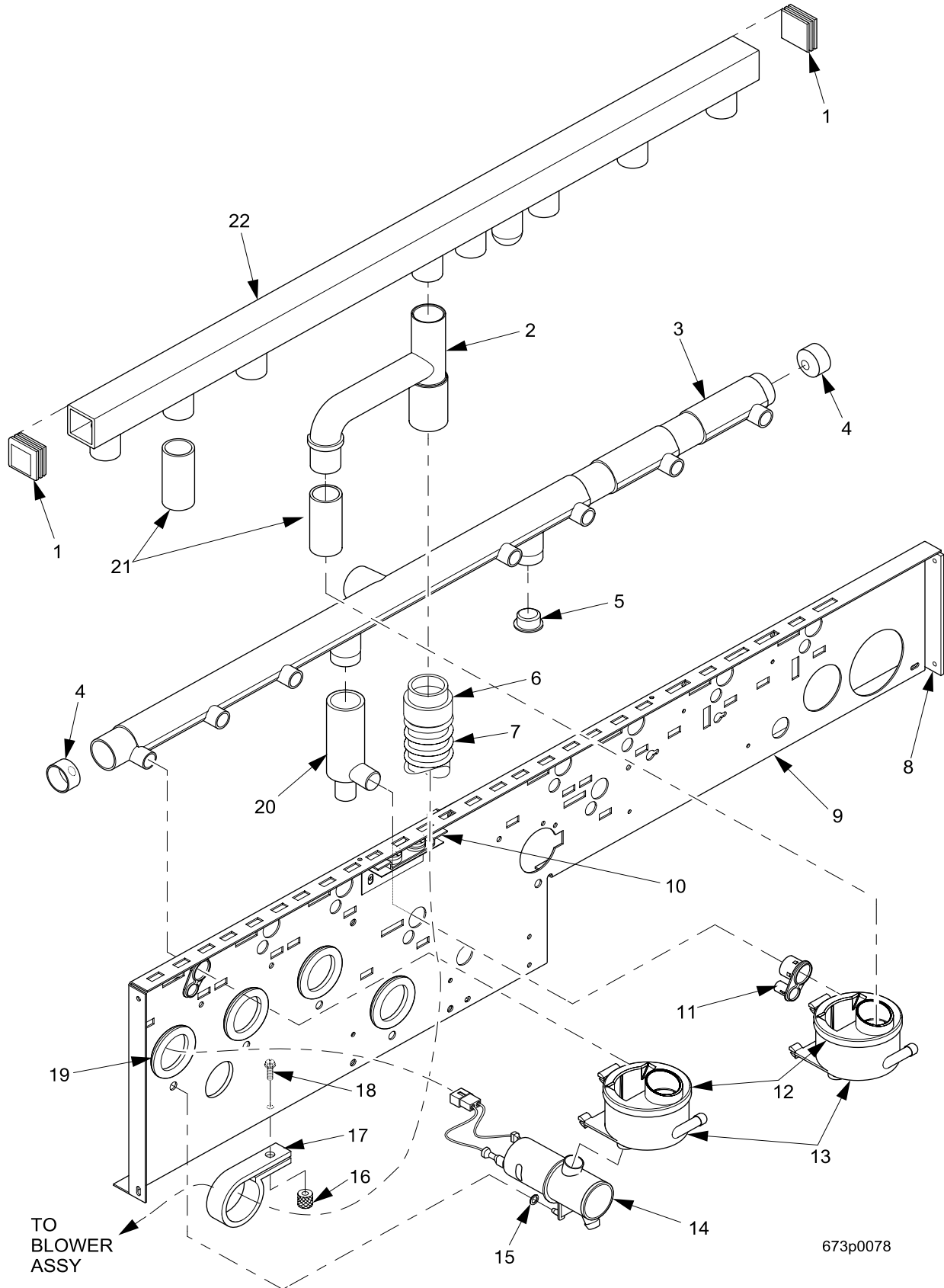


FIGURE 35: CANISTER SUPPORT ASSEMBLY - FREEZE DRIED WITH 7TH PRODUCT

TABLE 35: CANISTER SUPPORT ASSEMBLY - FREEZE DRIED WITH 7TH PRODUCT

INDEX	PART NUMBER	DESCRIPTION	QTY
1	6337082	CAP - MANIFOLD	2
2	6337044	VENT - SUGAR/ LIT - ADAPTOR	1
3	6551004	VENT - REAR BOWL - SINGLE FRESH BREW	1
4	6237335	VINYL CAP - 1.000 I.D.X .50 LG.-	2
5	6237301	PLUG CENTER PULL - .93	1
6	6137157	COUPLING VENT HOSE	2
7	6737011	HOSE - EXHAUST - COFFEE CHUTE	1
8	6231033	BRACKET - CANISTER SUPPORT	1
9	6731056	CHANNEL WELD ASSEMBLY - CANISTER SUPPORT	1
10	6337057	CANISTER SUPPORT ASSEMBLY - LIGHTNER	1
11	6237315	RETAINER - TUBE - MIXING BOWL	8
12	6537019	VENT & DIVIDER ASSEMBLY	7
13	6537030	MIXING BOWL	7
14	6237195	WHIPPER ASSEMBLY - DRINK	5
15	2302223	GROMMET - 3/16	5
16	9900214	NUT - KNURL - CANISTER	1
17	4254012	CLAMP - 1.375	1
18	4741050	SCREW - #8-32 X .50 HX.HD. - T/F - BLACK	1
19	6237115	GROMMET - WHIPPER MOUNTING	5
20	6237336	VENT - EXTENSION - SUGAR/LIGHTENER	1
21	6337049	TUBE - EXTENSION - SILICONE	8
22	6551005	VENT - FRONT - BOWL - FREEZE DRIED - 7 PRODUCT	1

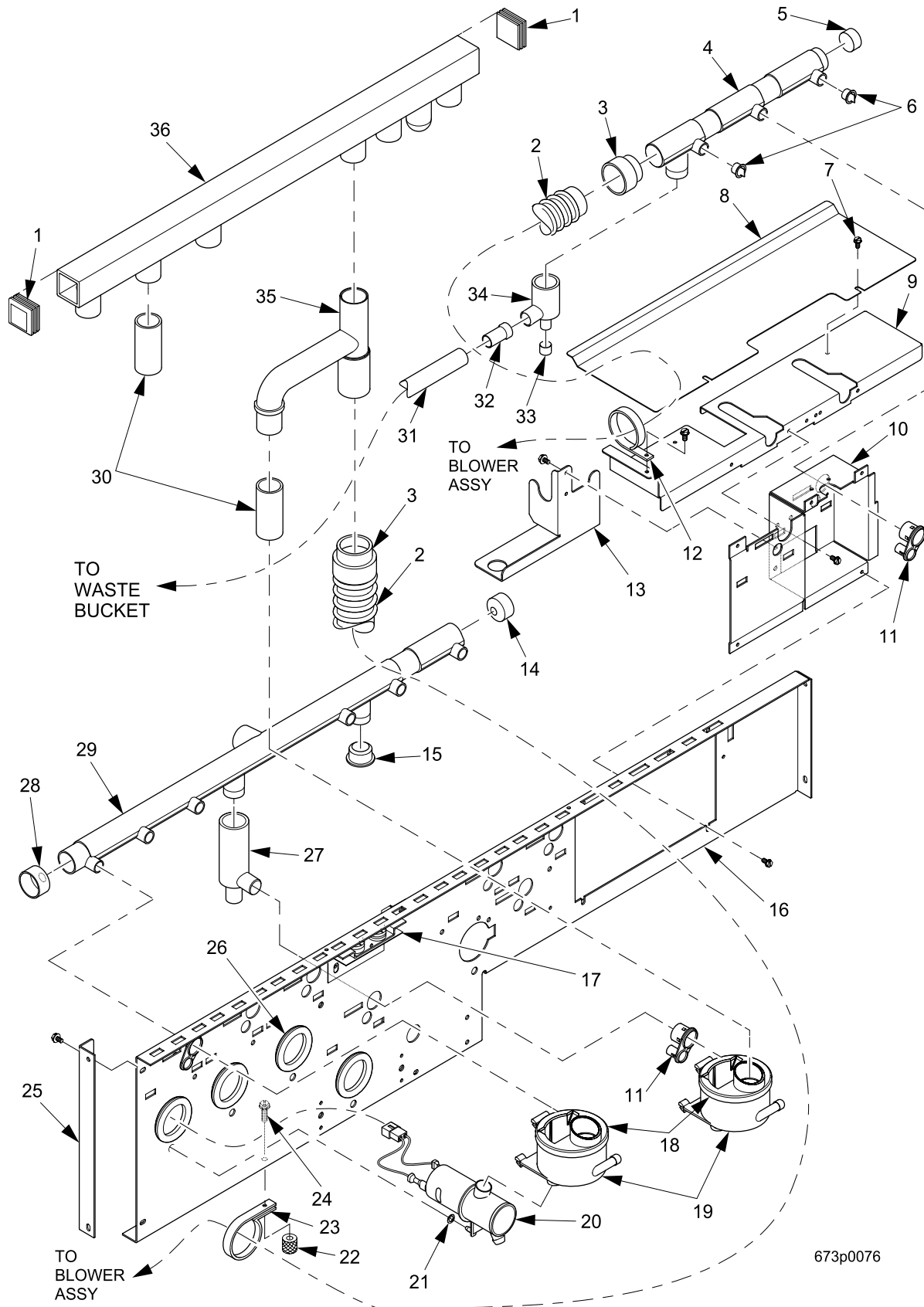


FIGURE 36: CANISTER SUPPORT ASSEMBLY - SINGLE FRESH BREWED W/ 7TH PRODUCT

TABLE 36: CANISTER SUPPORT ASSEMBLY - SINGLE FRESH BREWED W/ 7TH PRODUCT

INDEX	PART NUMBER	DESCRIPTION	QTY
1	6337082	CAP - MANIFOLD	2
2	6737011	HOSE - EXHAUST - COFFEE CHUTE	2
3	6137157	COUPLING VENT HOSE	4
4	6734083	VENT REAR BOWL	1
5	6237347	VINYL CAP - 1.00 X .50	1
6	6237303	PLUG - CENTER PULL - .56	2
7	1451097	SCREW - #8-32X.31 HEX HD. TF - BLACK	--
8	6737019	COVER-BREWER-UPPER	1
9	6734080	RETAINER - VENT HOSE	1
10	6734116	MOUNTING-SGL. MIXING BOWLS	1
11	6237315	RETAINER - TUBE - MIXING BOWL	8
12	3631171	CLIP - HARNESS - 1.50	1
13	4732024	RETAINER - HARNESS	1
14	6237335	VINYL CAP - 1.000 I.D.X .50 LG.-	1
15	6237301	PLUG CENTER PULL - .93	1
16	6731056	CHANNEL ASSEMBLY - CANISTER SUPPORT	1
17	6337057	CANISTER SUPPORT ASSEMBLY - LIGHTENER	1
18	6537019	VENT & DIVIDER ASSEMBLY	6
19	6537030	MIXING BOWL	6
20	6237195	WHIPPER ASSEMBLY - DRINK	4
21	2302223	GROMMET - 3/16	4
22	9900214	NUT - KNUURL - CANISTER	1
23	4254012	CLAMP - 1.375	1
24	4741050	SCREW - #8-32 X .50 HX.HD. - T/F - BLACK	1
25	6731007	BRACKET - CANISTER SUPPORT - LEFT	1
26	6237115	GROMMET - WHIPPER MOUNTING	4
27	6237336	VENT - EXTENSION - SUGAR/LIGHTENER	1
28	6237335	VINYL CAP - 1.000 I.D.X .50 LG.-	1
29	6337109	VENT - SHELF - SINGLE FRESH BREW - W/6TH PRODUCT	1
30	6337049	TUBE - EXTENSION - SILICONE	7
31	6338021	TUBING - SILICONE - .375IDX.562OD	34"
32	6237314	TUBE - ADAPTER	1
33	6237306	VINYL CAP - .38 I.D.	1
34	6734086	VENT - DRAIN - SHORT	1
35	6337044	VENT - SUGAR/LIGHTENER - ADAPTOR	1
36	6537001	VENT - FRONT - SINGLE FRESH BREW W/7TH PRODUCT	1

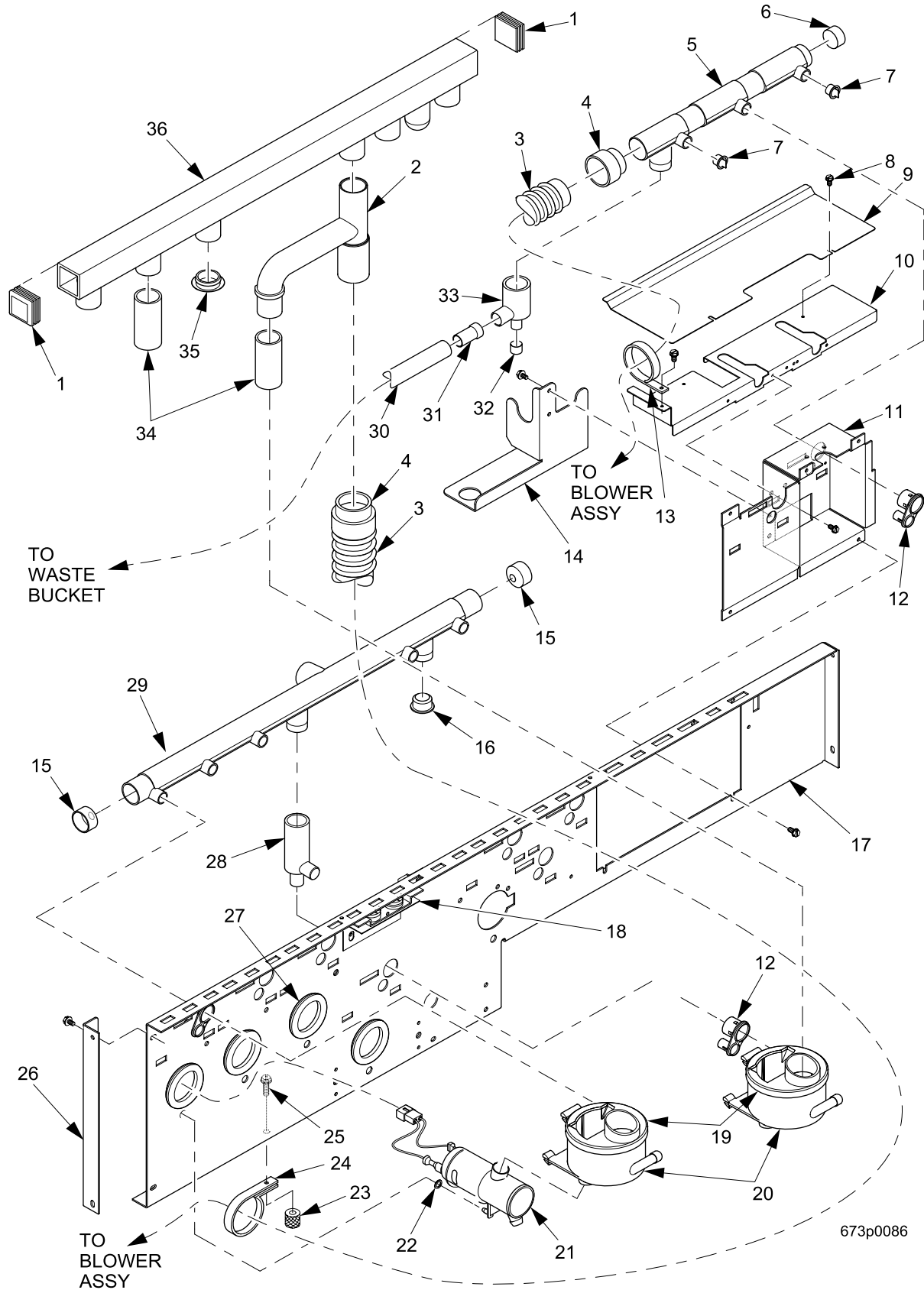


FIGURE 37: CANISTER SUPPORT ASSEMBLY - SINGLE FRESH BREWED W/ 6TH PRODUCT

TABLE 37: CANISTER SUPPORT ASSEMBLY - SINGLE FRESH BREWED W/ 6TH PRODUCT

INDEX	PART NUMBER	DESCRIPTION	QTY
1	6337082	CAP - MANIFOLD	2
2	6337044	VENT - SUGAR/LIGHTENER - ADAPTOR	1
3	6737011	HOSE - EXHAUST - COFFEE CHUTE	2
4	6137157	COUPLING VENT HOSE	4
5	6734083	VENT REAR BOWL	1
6	6237347	VINYL CAP - 1.00 X .GO LG	1
7	6237303	PLUG - CENTER PULL - .56	2
8	1451097	SCREW - #8-32X.31 HEX HD. TF - BLACK	--
9	6737019	COVER-BREWER-UPPER	1
10	6734080	RETAINER - VENT HOSE	1
11	6734116	MOUNTING-SGL. MIXING BOWLS	1
12	6237315	RETAINER - TUBE - MIXING BOWL	6
13	3631171	CLIP - HARNESS - 1.50	1
14	6734019	RETAINER - HOSE - BREWER - SINGLE FRESH BREW	1
15	6237335	VINYL CAP - 1.000 I.D.X .50 LG.-	3
16	6237301	PLUG CENTER PULL - .93	1
17	6731056	CHANNEL ASSEMBLY - CANISTER SUPPORT	1
18	6337057	CANISTER SUPPORT ASSEMBLY - LIGHTNER	1
19	6537019	VENT & DIVIDER ASSEMBLY	6
20	6537030	MIXING BOWL	6
21	6237195	WHIPPER ASSEMBLY - DRINK	4
22	2302223	GROMMET - 3/16	4
23	9900214	NUT - KNURL - CANISTER	1
24	4254012	CLAMP - 1.375	1
25	4741050	SCREW - #8-32 X .50 HX.HD. - T/F - BLACK	1
26	6731007	BRACKET - CANISTER SUPPORT - LEFT	1
27	6237115	GROMMET - WHIPPER MOUNTING	4
28	6237336	VENT - EXTENSION - SUGAR/LIGHTENER	1
29	6337109	VENT - SHELF - SINGLE FRESH BREW - W/6TH PRODUCT	1
30	6338021	TUBING - SILICONE - .375IDX.562OD	34"
31	6237314	TUBE - ADAPTER	1
32	6237306	VINYL CAP - .38 I.D.	1
33	6734086	VENT - DRAIN - SHORT	1
34	6337049	TUBE - EXTENSION - SILICONE	6
35	6337093	PLUG - HOLE - 7/8 DIA.	1
36	6537001	VENT - FRONT - SINGLE FRESH BREW W/7TH PRODUCT	1

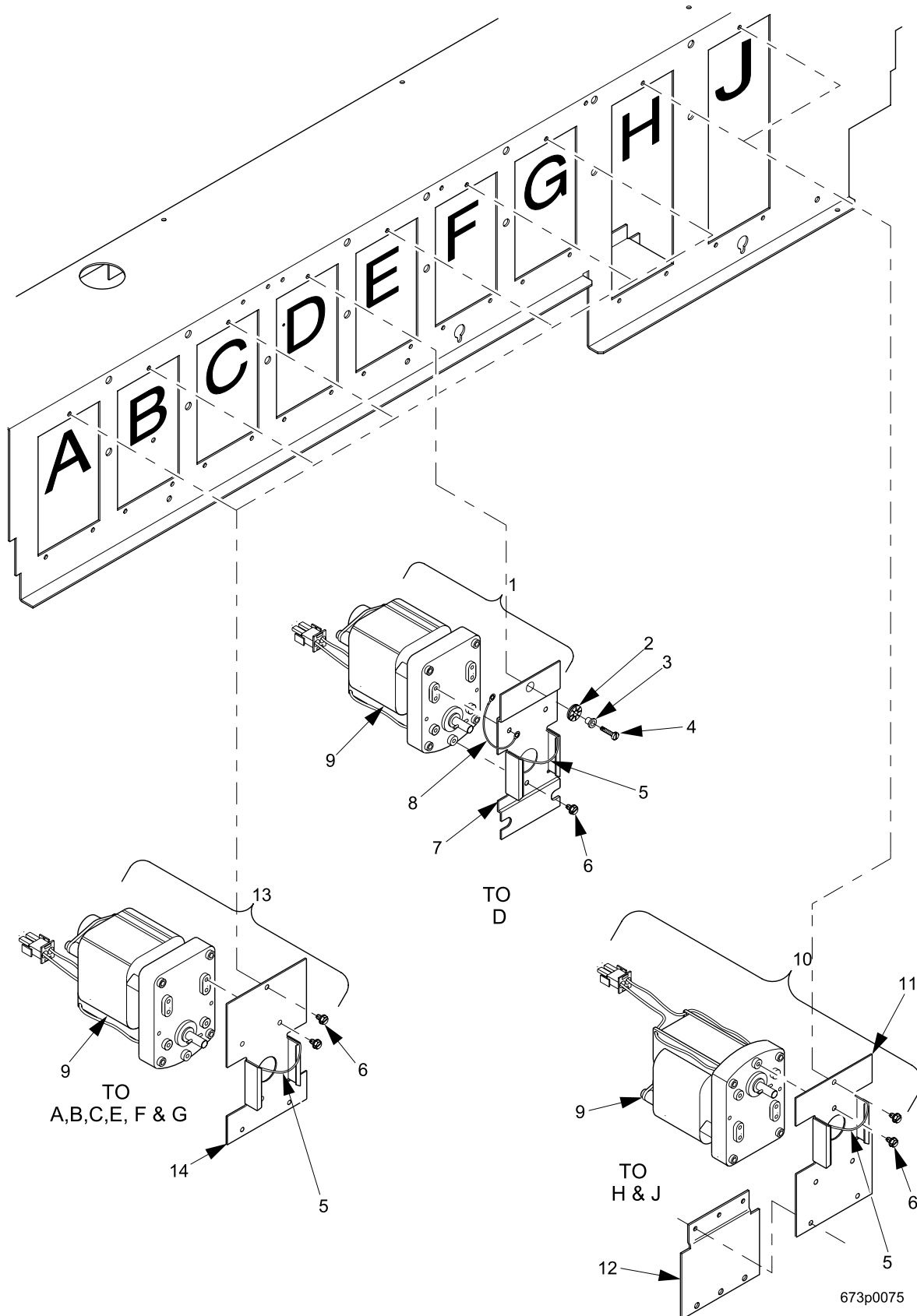


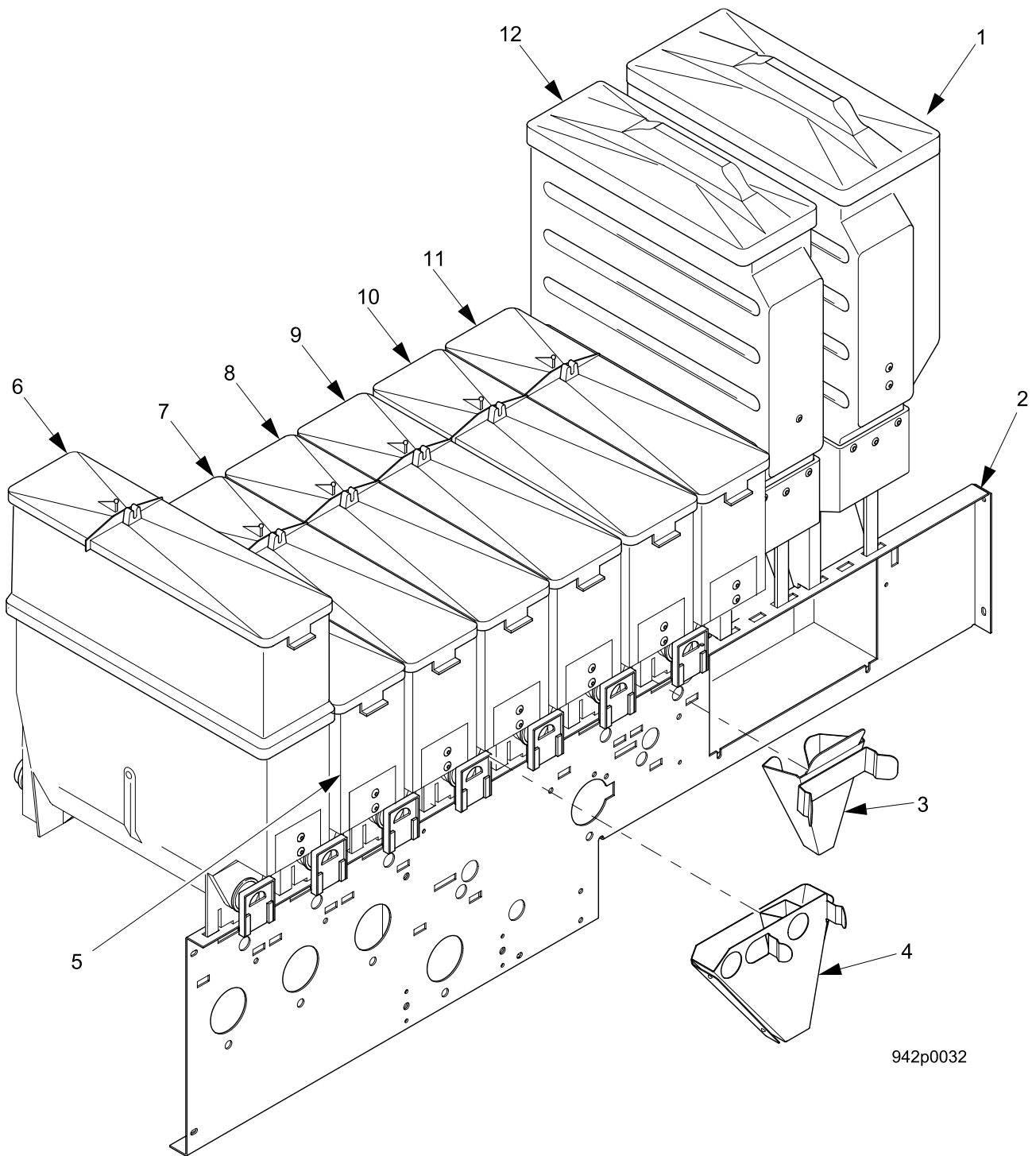
FIGURE 38: CANISTER MOTOR - LOCATION

TABLE 38: CANISTER MOTOR - LOCATION

INDEX	PART NUMBER	DESCRIPTION	QTY
1	6237436	MOTOR & PLATE ASSY-200 RPM	1
2	6237356	VIBRATION ISOLATOR - .375 DIA.GF	3
3	6237170	BUSHING - CANISTER	3
4	3102447	8-32 X 3/4 PHS TYPE 23 T/C ZNC	3
--	6737020	PLATE-MOTOR MOUNTING (ITEMS 5 & 7)	1
5	6237076	GUIDE - CANISTER	1
6	9900157	SCREW #8-32X7/32 HWHD.SERA	9
7	6237171	PLATE - MOTOR MOUNTING - LIGHTENER	1
8	1475119	JUMPER - GROUND WIRE	1
9	6237165	MOTOR - CANISTER - 115V/60HZ - 200	1
10	6237438	MOTOR & PLATE ASSEMBLY - COFFEE (ITEMS 5, 6, 9, 11)	2
--	6237077	PLATE ASSEMBLY - COFFEE MOTOR MOUNTING (ITEMS 5, 11)	--
11	6237078	PLATE - MOTOR MOUNTING - COFFE	1
12	6731036	PLATE - ADAPTOR - CANISTER MOTOR	2
13	6237436	MOTOR & PLATE ASSEMBLY - 200 RPM (ITEMS 5, 6, 9, 14)	6
--	6237074	PLATE ASSEMBLY - MOTOR MOUNTING - WELD (ITEMS 5, 14)	--
14	6237075	PLATE - MOTOR MOUNTING	1

Note:

**Plate # 6734012 is mounted on the bottom for single grinder or freshbrews.
Same plate is mounted on top for dual grinder option.**



942p0032

FIGURE 39: CANISTER ASSEMBLIES - FRESH BREW

TABLE 39: CANISTER ASSEMBLIES - FRESH BREW

INDEX	PART NUMBER	DESCRIPTION	QTY
1	6337022	CANISTER ASSEMBLY - COFFEE PRE-GROUND - FRESH BREW (SEE FIGURE 45)	1
2	6731081	CHANNEL WELD ASSY - CANISTER SUPPORT	1
3	6737005	CHUTE ASSEMBLY - COFFEE - PRE-GROUND	1
4	6367018	CHUTE ASSEMBLY - 2 INGREDIENT	1
5	6537024	CANISTER ASSEMBLY - SOUP/6TH PRODUCT (SEE FIGURE 42) (SUGAR SUBSTITUTE OR SOUP OR INTERNATIONAL COFFEE)	1
6	6537024	CANISTER ASSY-SOUP/6TH PROD (CHOCOLATE) (SEE FIGURE 42)	1
7	6237446	CANISTER ASSEMBLY - LIGHTENER (SEE FIGURE 43)	1
8	6537024	CANISTER ASSEMBLY - SUGAR (SEE FIGURE 42)	1
9	6537024	CANISTER ASSEMBLY - INSTANT TEA (SEE FIGURE 42)	1
10	6537022	CANISTER ASSEMBLY - FREEZE DRIED COFFEE (SEE FIGURE 44)	1
11	6537022	CANISTER ASSEMBLY - FREEZE DRIED DECAF COFFEE (SEE FIGURE 44)	1
12	6337023	CANISTER ASSEMBLY - DECAF PRE-GROUND -FRESH BREW (SEE FIGURE 46)	1

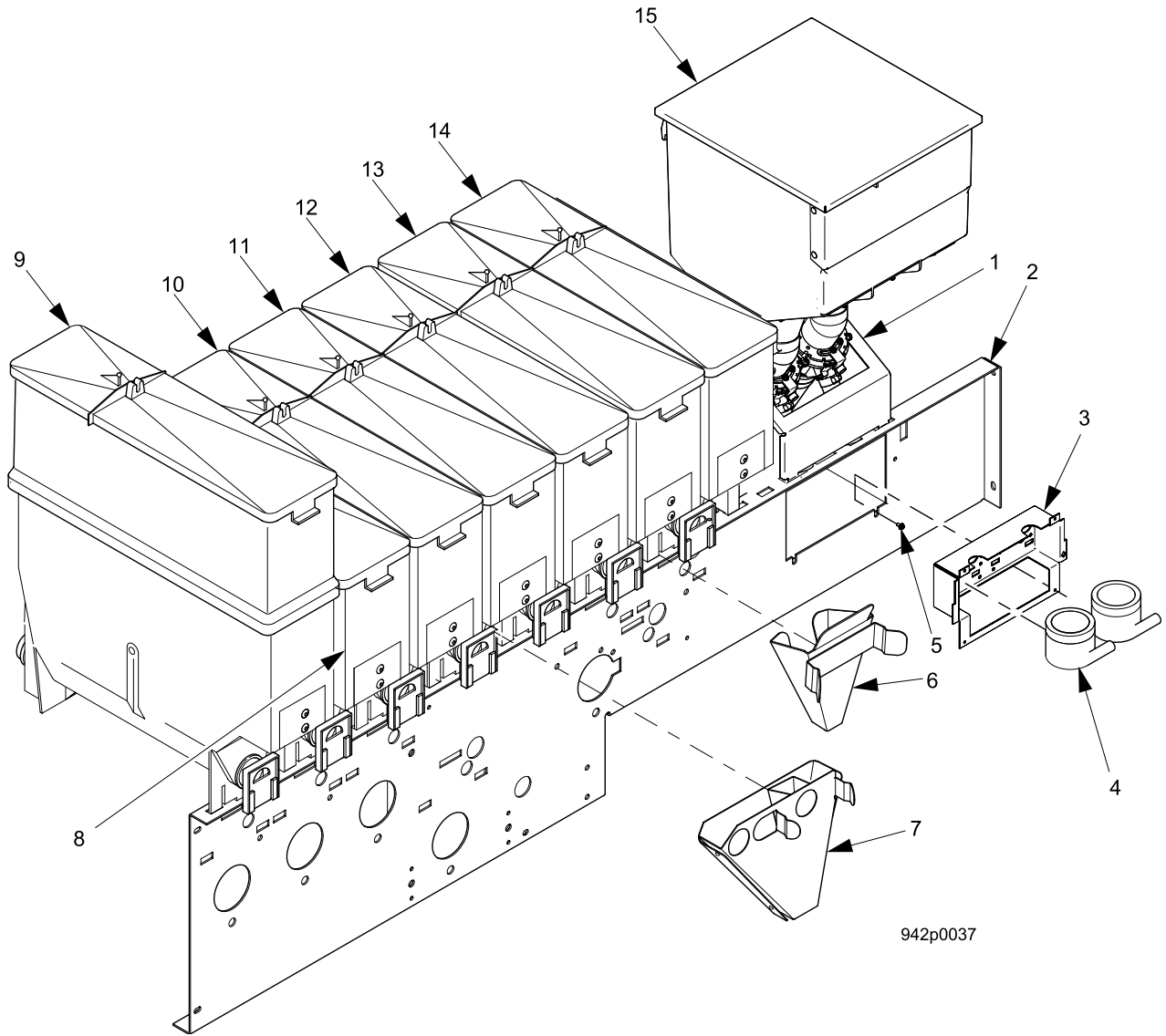


FIGURE 40: CANISTER ASSEMBLIES

TABLE 40: CANISTER ASSEMBLIES

INDEX	PART NUMBER	DESCRIPTION	QTY
1	9447010	GRINDER ASSEMBLY	1
2	6731081	CHANNEL WELD ASSEMBLY - CANISTER SUPPORT	1
3	9447012	MOUNTING BRACKET - MIXING BOWL	1
4	6537030	MIXING BOWL	2
5	1451097	SCREW - #8-32X.31 HEX HD.TF - BLK.	2
6	6737005	CHUTE ASSEMBLY - COFFEE - PRE-GROUND	1
7	6367018	CHUTE ASSEMBLY - 2 INGREDIENT	1
8	6537024	CANISTER ASSEMBLY - SOUP/6TH PRODUCT (SEE FIGURE 42) (SUGAR SUBSTITUTE OR SOUP OR INTERNATIONAL COFFEE)	1
9	6537024	CANISTER ASSY-SOUP/6TH PROD (CHOCOLATE) (SEE FIGURE 41)	1
10	6237446	CANISTER ASSEMBLY - LIGHTENER (SEE FIGURE 43)	1
11	6537024	CANISTER ASSEMBLY - SUGAR (SEE FIGURE 42)	1
12	6537024	CANISTER ASSEMBLY - INSTANT TEA (SEE FIGURE 42)	1
13	6537022	CANISTER ASSEMBLY - FREEZE DRIED COFFEE (SEE FIGURE 45)	1
14	6537022	CANISTER ASSEMBLY - FREEZE DRIED DECAF COFFEE (SEE FIGURE 45)	1
15	9447009	HOPPER ASSEMBLY (SEE FIGURE 48)	1

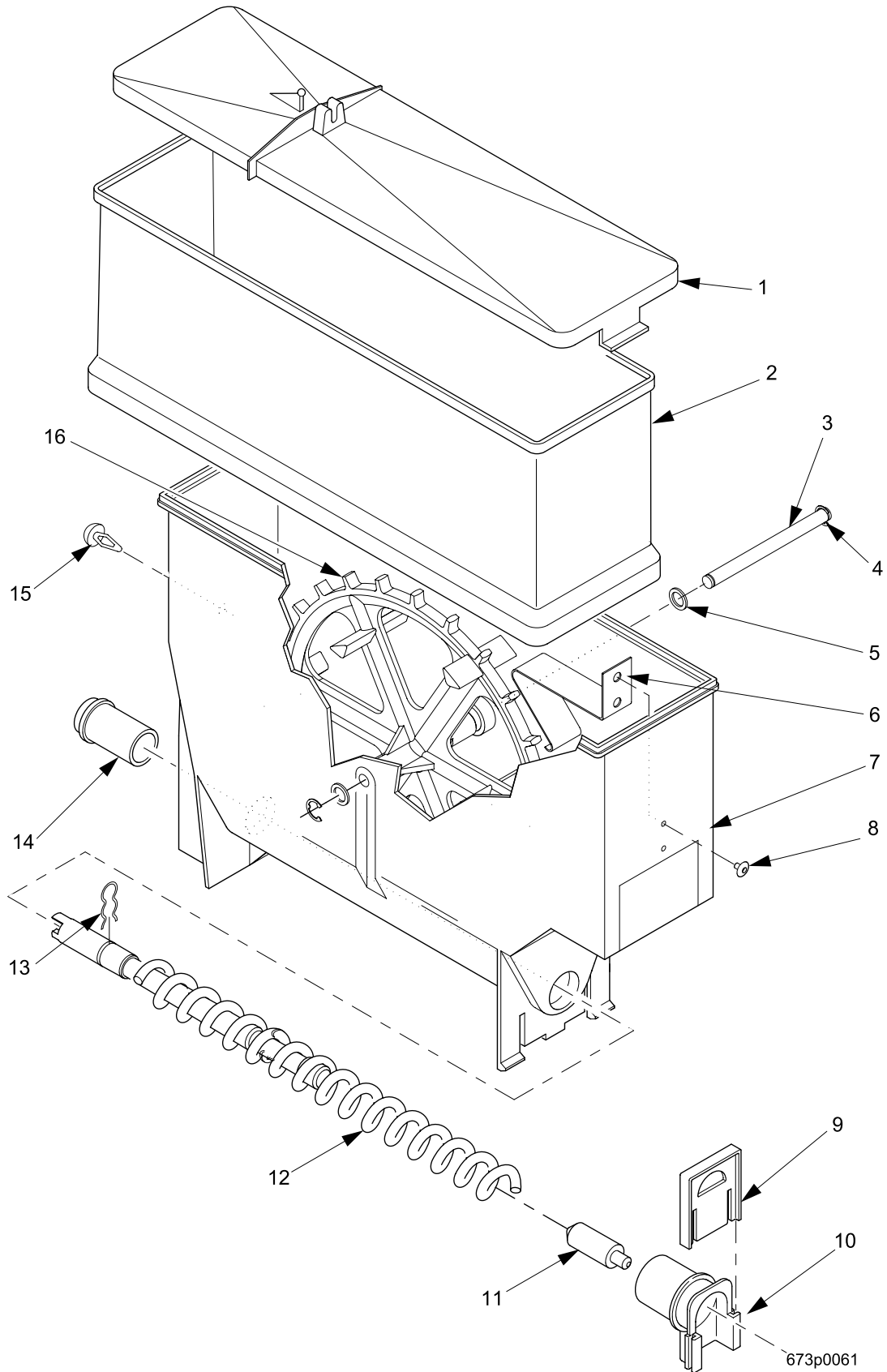
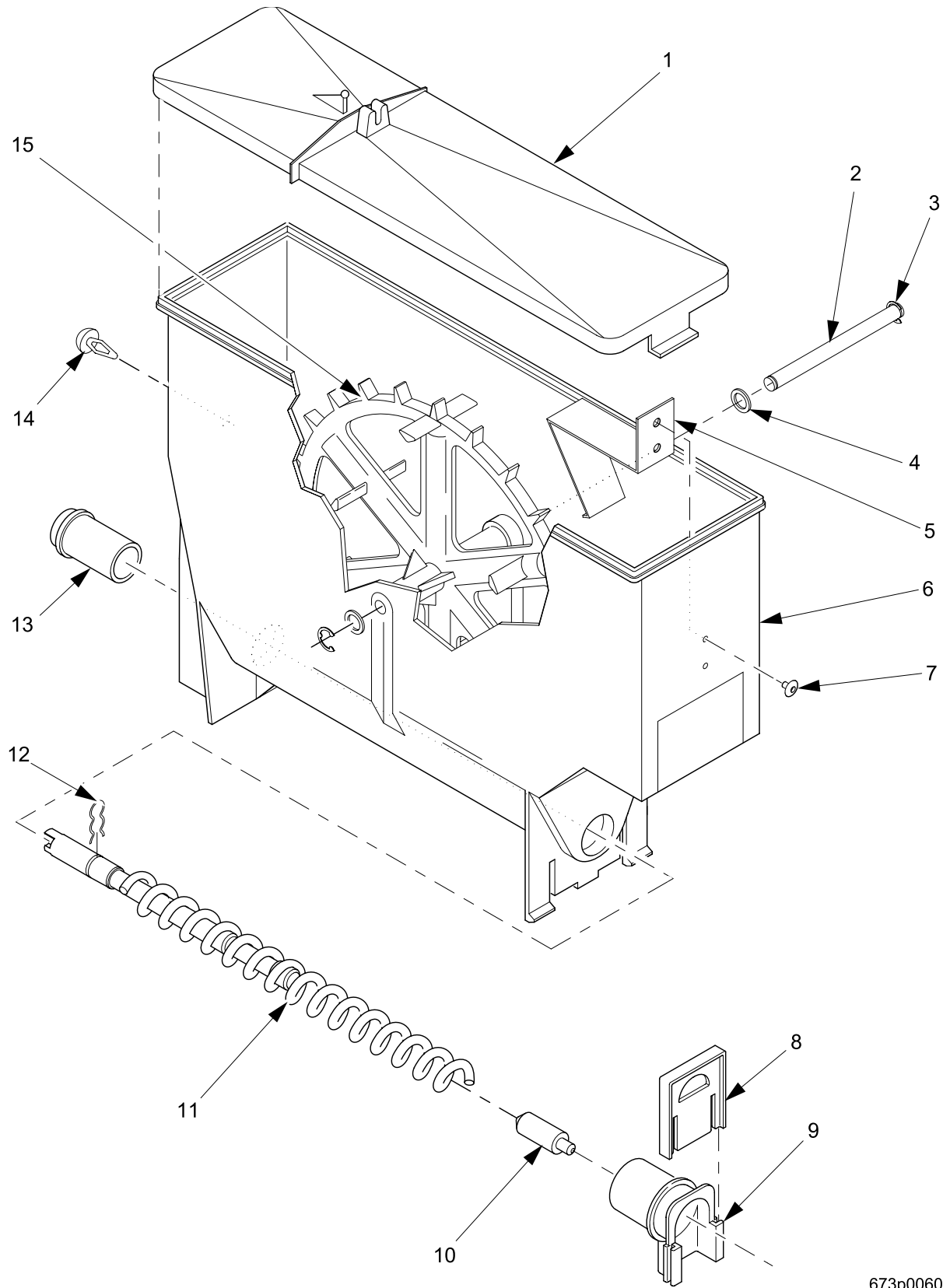


FIGURE 41: CANISTER ASSEMBLY - CHOCOLATE

TABLE 41: CANISTER ASSEMBLY - CHOCOLATE

INDEX	PART NUMBER	DESCRIPTION	QTY
--	6537024	CANISTER ASSY-SOUP/6TH PROD	--
1	6237023	LID - CANISTER	1
2	6237439	SLEEVE - CANISTER - 4" - 1 RIB	1
3	6237167	SHAFT - CANISTER	1
4	9900415	RETAINING RING REINF E TYP.156	--
5	6237116	WASHER - SEAL - WEAR PLATE	2
6	6737017	SPRING - THUMPER	1
7	6237177	BASE - CANISTER - THUMPER	1
8	6537026	ALUMINUM CAP RIVET - .187 DIA	2
9	6537013	GATE - NOZZLE - PLASTIC	5
10	6537014	NOZZLE - DISPENSING	1
11	6537021	PLUG - AUGER	1
12	6537018	AUGER & SHAFT ASSEMBLY	1
13	6337020	CLIP - SPRING	1
14	6237014	BEARING - CANISTER	1
15	6237053	FASTENER - PUSH IN	1
16	6237181	MIXING WHEEL	1

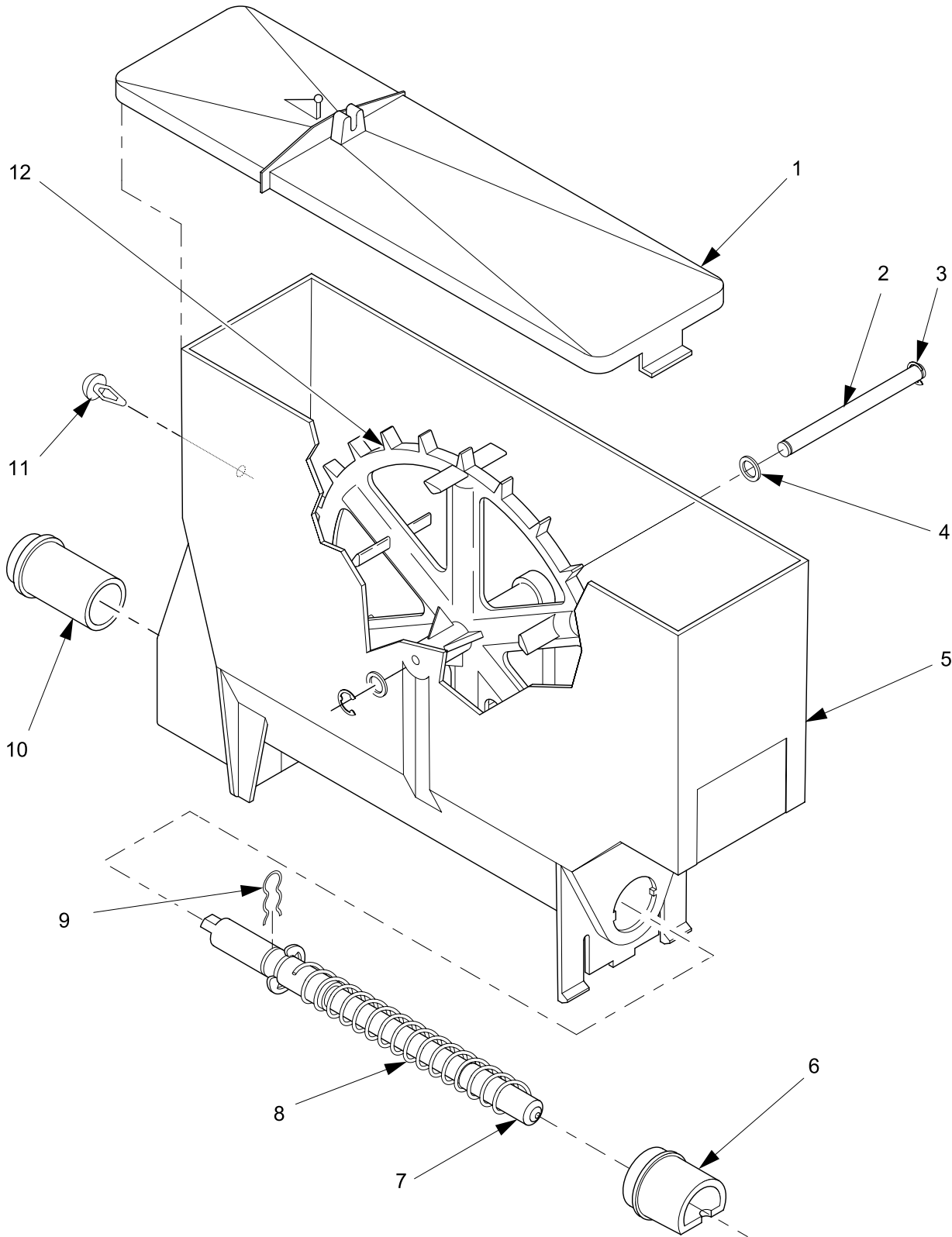


673p0060

FIGURE 42: CANISTER ASSEMBLY - SOUP 6TH PRODUCT

TABLE 42: CANISTER ASSEMBLY - SOUP 6TH PRODUCT

INDEX	PART NUMBER	DESCRIPTION	QTY
--	6537024	CANISTER ASSEMBLY - SOUP/6TH PRODUCT	--
1	6237023	LID - CANISTER	1
2	6237167	SHAFT - CANISTER	1
3	9900415	RETAINING RING REINF E TYP.156	--
4	6237116	WASHER - SEAL - WEAR PLATE	2
5	6737017	SPRING - THUMPER	1
6	6237177	BASE - CANISTER - THUMPER	1
7	6537026	ALUMINUM CAP RIVET - .187 DIA	2
8	6537013	GATE - NOZZLE - PLASTIC	5
9	6537014	NOZZLE - DISPENSING	1
10	6537018	AUGER & SHAFT ASSEMBLY	1
11	6537021	PLUG - AUGER	1
12	6337020	CLIP - SPRING	1
13	6237014	BEARING - CANISTER	1
14	6237053	FASTENER - PUSH IN	1
15	6237181	MIXING WHEEL	1

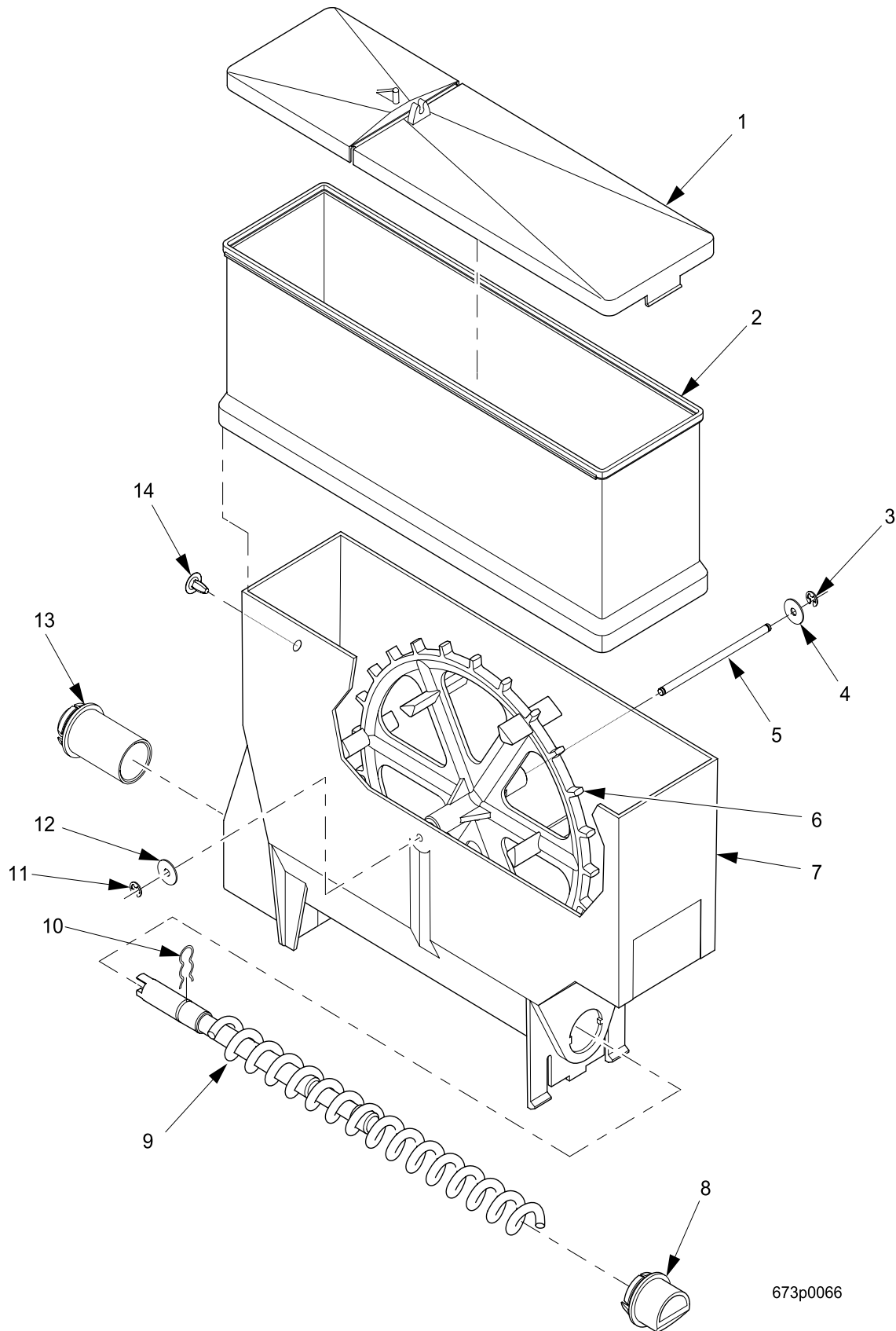


673p0058

FIGURE 43: CANISTER ASSEMBLY - LIGHTENER

TABLE 43: CANISTER ASSEMBLY - LIGHTENER

INDEX	PART NUMBER	DESCRIPTION	QTY
--	6237446	CANISTER ASSEMBLY - LIGHTENER	
1	6237023	LID - CANISTER	1
2	6237167	SHAFT - CANISTER	1
3	9900415	RETAINING RING REINF E TYP.156	--
4	6237116	WASHER - SEAL - WEAR PLATE	2
5	6237176	BASE - CANISTER	1
6	6237106	NOZZLE - DISPENSING - CANISTER	1
7	6237046	PLUG - AUGER	2
8	6237179	AUGER ASSEMBLY - CANISTER	1
9	6337020	CLIP - SPRING	1
10	6237014	BEARING - CANISTER	1
11	6237053	FASTENER - PUSH IN	1
12	6237181	MIXING WHEEL	1

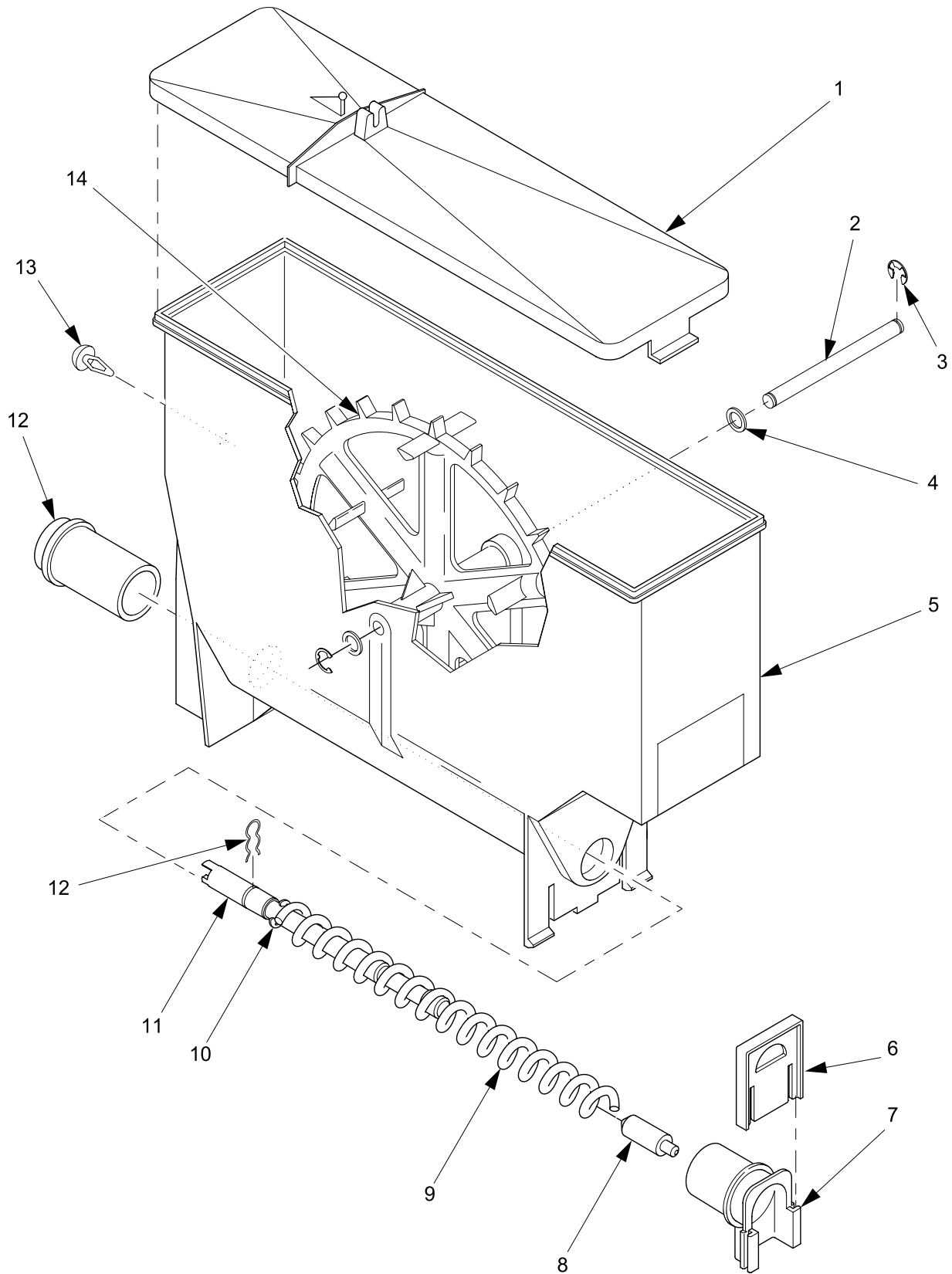


673p0066

FIGURE 44: CANISTER ASSEMBLY - 1 SLEEVE

TABLE 44: CANISTER ASSEMBLY - 1 SLEEVE

INDEX	PART NUMBER	DESCRIPTION	QTY
--	6537025	CANISTER ASSEMBLY - 1 SLEEVE - W/MIXING	--
1	6237023	LID - CANISTER	1
2	6237008	CANISTER SLEEVE - 4 IN.	1
3	9900415	RETAINING RING REINF E TYP.156	--
4	6237116	WASHER - SEAL - WEAR PLATE	2
5	6237167	SHAFT - CANISTER	1
6	6237181	MIXING WHEEL	1
7	6237176	BASE - CANISTER	1
8	6237063	NOZZLE - DISPENSING - CANISTER	2
9	6537018	AUGER - CANISTER	1
10	6337020	CLIP - SPRING	1
11	9900415	RETAINING RING REINF E TYP.156	--
12	6237116	WASHER - SEAL - WEAR PLATE	2
13	6237014	BEARING - CANISTER	1
14	6237053	FASTENER - PUSH IN	1



673p0062

FIGURE 45: CANISTER ASSEMBLY - FREEZE DRIED COFFEE

TABLE 45: CANISTER ASSEMBLY - FREEZE DRIED COFFEE

INDEX	PART NUMBER	DESCRIPTION	QTY
--	6537022	CANISTER ASSEMBLY - FREEZE DRIED COFFEE	--
1	6237023	LID - CANISTER	1
2	6237167	SHAFT - CANISTER	1
3	9900415	RETAINING RING REINF E TYP.156	--
4	6237116	WASHER - SEAL - WEAR PLATE	2
5	6237176	BASE - CANISTER	1
6	6537013	GATE - NOZZLE - PLASTIC	5
7	6537014	NOZZLE - DISPENSING	1
--	6537027	PLUG & AUGER ASSEMBLY	1
8	6537021	PLUG - AUGER	1
9	6537017	AUGER - CANISTER	1
10	6337020	CLIP - SPRING	1
11	6237014	BEARING - CANISTER	1
12	6237053	FASTENER - PUSH IN	1
13	6237181	MIXING WHEEL	1

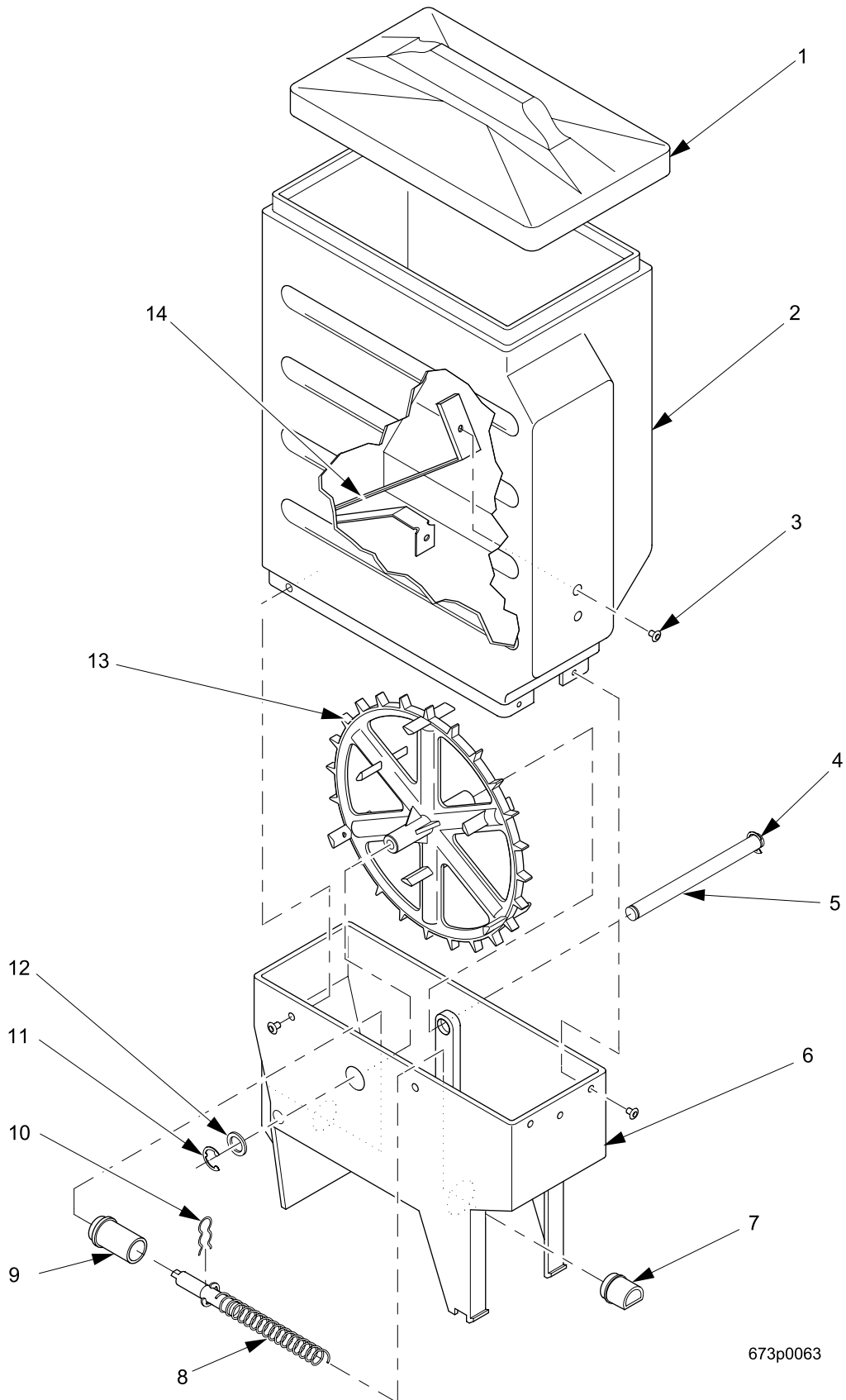
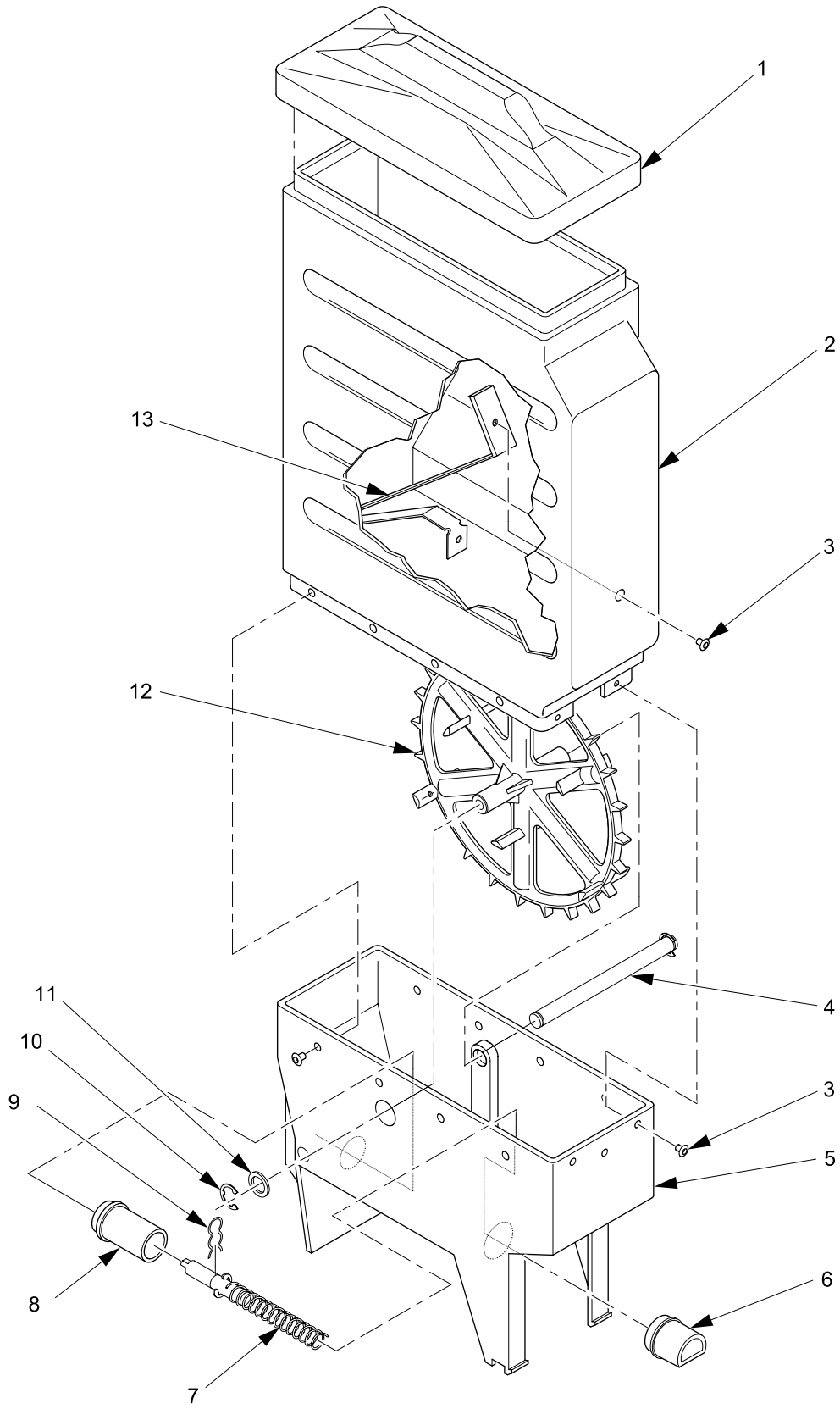


FIGURE 46: CANISTER ASSEMBLY - COFFEE PRE-GROUND

TABLE 46: CANISTER ASSEMBLY - COFFEE PRE-GROUND

INDEX	PART NUMBER	DESCRIPTION	QTY
--	6337022	CANISTER ASSEMBLY - COFFEE PRE - GROUND	--
1	6237066	LID - CANISTER - COFFEE	1
2	6337024	SLEEVE - CANISTER - PUNCHED - P/GROUND COFFEE	1
3	6537026	ALUMINUM CAP RIVET - .187 DIA	13
4	9900415	RETAINING RING REINF E TYP.156	--
5	6337032	SHAFT - CANISTER - COFFEE	1
6	6337021	CANISTER BASE - FRESH BREW COFFEE	1
7	6237063	NOZZLE - DISPENSING - CANISTER	2
8	6237095	AUGER & SHAFT ASSEMBLY - COFFEE	1
9	6237014	BEARING - CANISTER	1
10	6337020	CLIP - SPRING	1
11	9900415	RETAINING RING REINF E TYP.156	--
12	6237116	WASHER - SEAL - WEAR PLATE	2
13	6337030	MIXING WHEEL ASSEMBLY - FRESH BREW COFFEE	--
14	6237020	THUMPER SPRING - GROUND COFFEE	1



673p0064

FIGURE 47: CANISTER ASSEMBLY - DECAFFEINATED PRE-GROUND

TABLE 47: CANISTER ASSEMBLY - DECAFFEINATED PRE-GROUND

INDEX	PART NUMBER	DESCRIPTION	QTY
--	6337023	CANISTER ASSEMBLY - DECAF PRE-GROUND	--
1	6237069	LID - CANISTER - DECAF COFFEE	1
2	6337025	SLEEVE - CANISTER - PUNCHED - PRE-GROUND DECAF	1
3	6537026	ALUMINUM CAP RIVET-.187 DIA	12
4	6337032	SHAFT - CANISTER - COFFEE	1
5	6337021	CANISTER BASE - FRESH BREWED COFFEE	1
6	6237063	NOZZLE - DISPENSING - CANISTER	1
7	6237095	AUGER & SHAFT ASSEMBLY - COFFEE	1
8	6237014	BEARING - CANISTER	1
9	6337020	CLIP - SPRING	1
10	9900415	RETAINING RING REINF E TYP.156	--
11	6237116	WASHER - SEAL - WEAR PLATE	2
12	6337030	MIXING WHEEL ASSEMBLY - FRESH BREW COFFEE	--
13	6237020	THUMPER SPRING - GROUND COFFEE	1

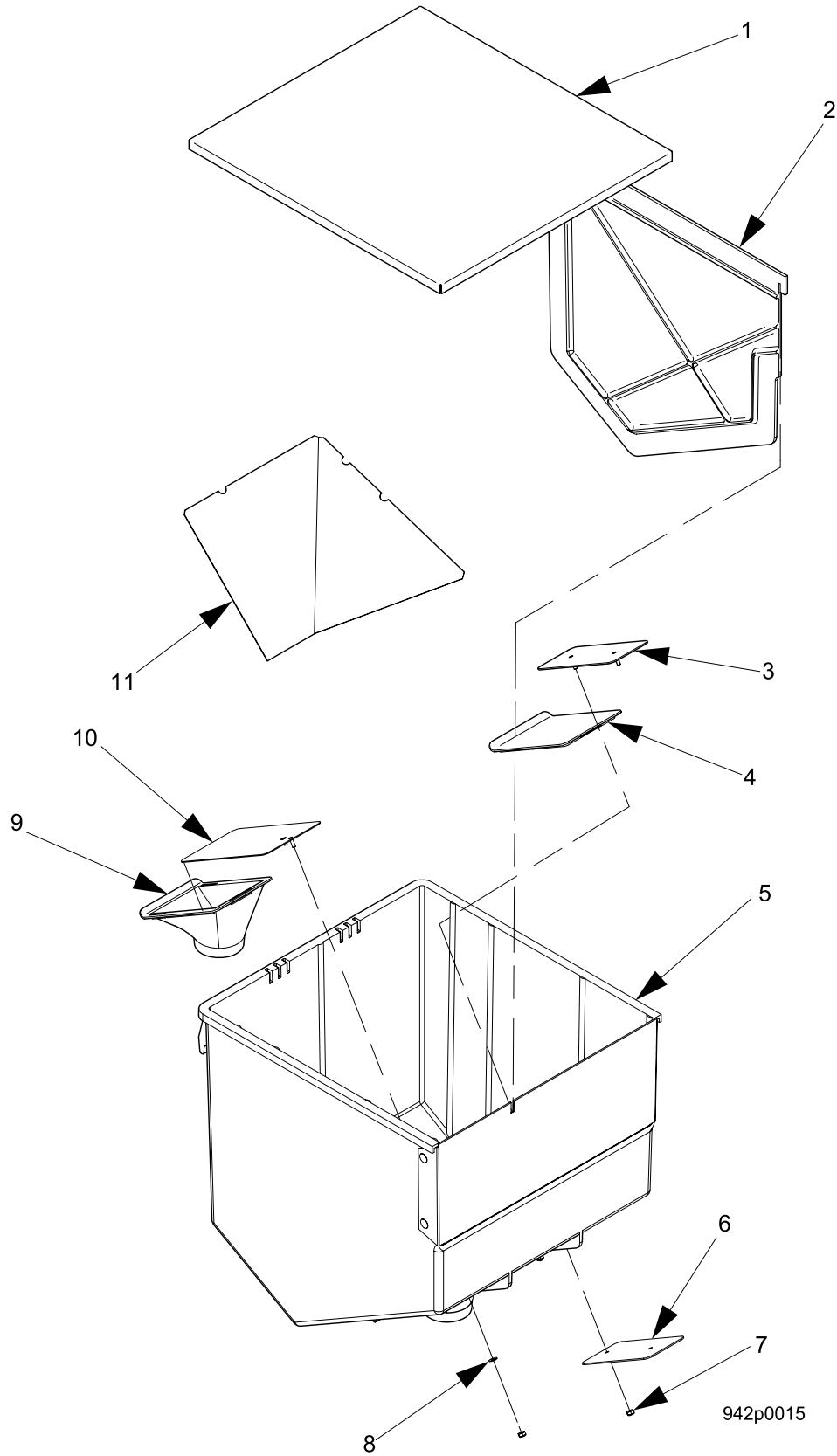


FIGURE 48: HOPPER ASSEMBLY

TABLE 48: HOPPER ASSEMBLY

INDEX	PART NUMBER	DESCRIPTION	QTY
--	9447009	HOPPER ASSEMBLY	--
1	9447005	HOPPER COVER	
2	9447004	DIVIDER HOPPER-MODIFIED	
3	AP38501	PLUG ASM WLD SLOT HOPPER 223	
4	AP38458	INSERT HOPPER PLUG 223	
5	9447008	HOPPER ASM-MODIFIED	
6	AP22000378	PLATE BACK SLOT PLUG HPR 223	
7	AP23100035	NUT 4-40 LOCK NYLON INSERT	
8	AP09302	WASHER FLAT #4 SCP	
9	AP24400028-01	INSERT HOPPER MINI GRNDR SHORT	
10	AP38470	SHUT-OFF ASM WLD HOP COF BN223	
11	9447007	HOPPER FILLER PLATE	

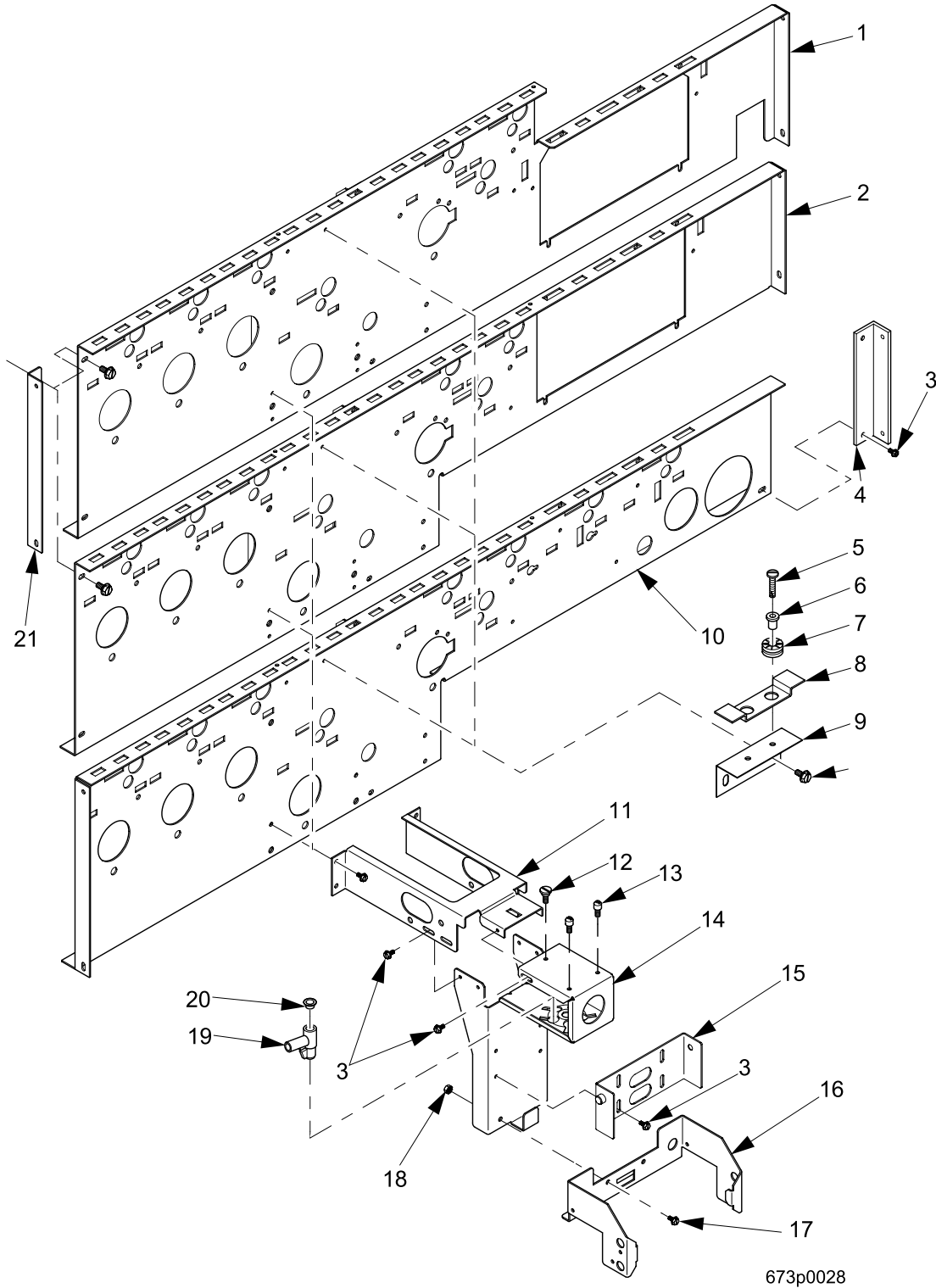


FIGURE 49: CANISTER SUPPORT ASSEMBLY - CUP STATION

TABLE 49: CANISTER SUPPORT ASSEMBLY - CUP STATION

INDEX	PART NUMBER	DESCRIPTION	QTY
1	6731057	CHNL.W/A - CANISTER SUPPORT - DUAL GRD.	1
2	6731055	CHANNEL WELD AY-CAN.SUPPORT	1
3	1451097	SCREW - #8 - 32X.31 HEX HD.TF - BLACK	8
4	6231033	BRACKET - CANISTER SUPPORT	1
5	3102447	8 - 32 X 3/4 PHS TYPE 23 T/C ZN	2
6	6237170	BUSHING - CANISTER	2
7	6237356	VIBRATION ISOLATOR - .375 DIA	2
8	6237174	SUPPORT - CANISTER FRONT	1
9	6337058	BRACKET - CANISTER FRONT	1
10	6731061	CHANNEL WELD ASSEMBLY - CANISTER SUPPORT	1
11	6738002	SUPPORT - CUP STATION	1
12	4247204	STUD - STORAGE TRAY OPTIONAL (SEE FIGURE 50)	1
13	4041102	STUD - COLUMN LOCATOR OPTIONAL (SEE FIGURE 50)	2
14	6738001	SUPPORT - CUP STATION	1
15	3281074	MOUNTING ASSEMBLY - CUP STATION OPTIONAL (SEE FIGURE 51)	1
16	3281085	BRACKET - IR REMOTE	1
17	1170206	SCREW - #8-32X3/8 PHILLIPS TRUSS HD. BLACK	2
18	9900081	NUT #8-32 KEPS ZINC PLATE	--
19	6117010	SPOUT DISPENSING	6
20	4711020	CAPLUG - SPOUT - NATURAL	6
21	6731007	BRACKET - CANISTER SUPPORT - LEFT	1

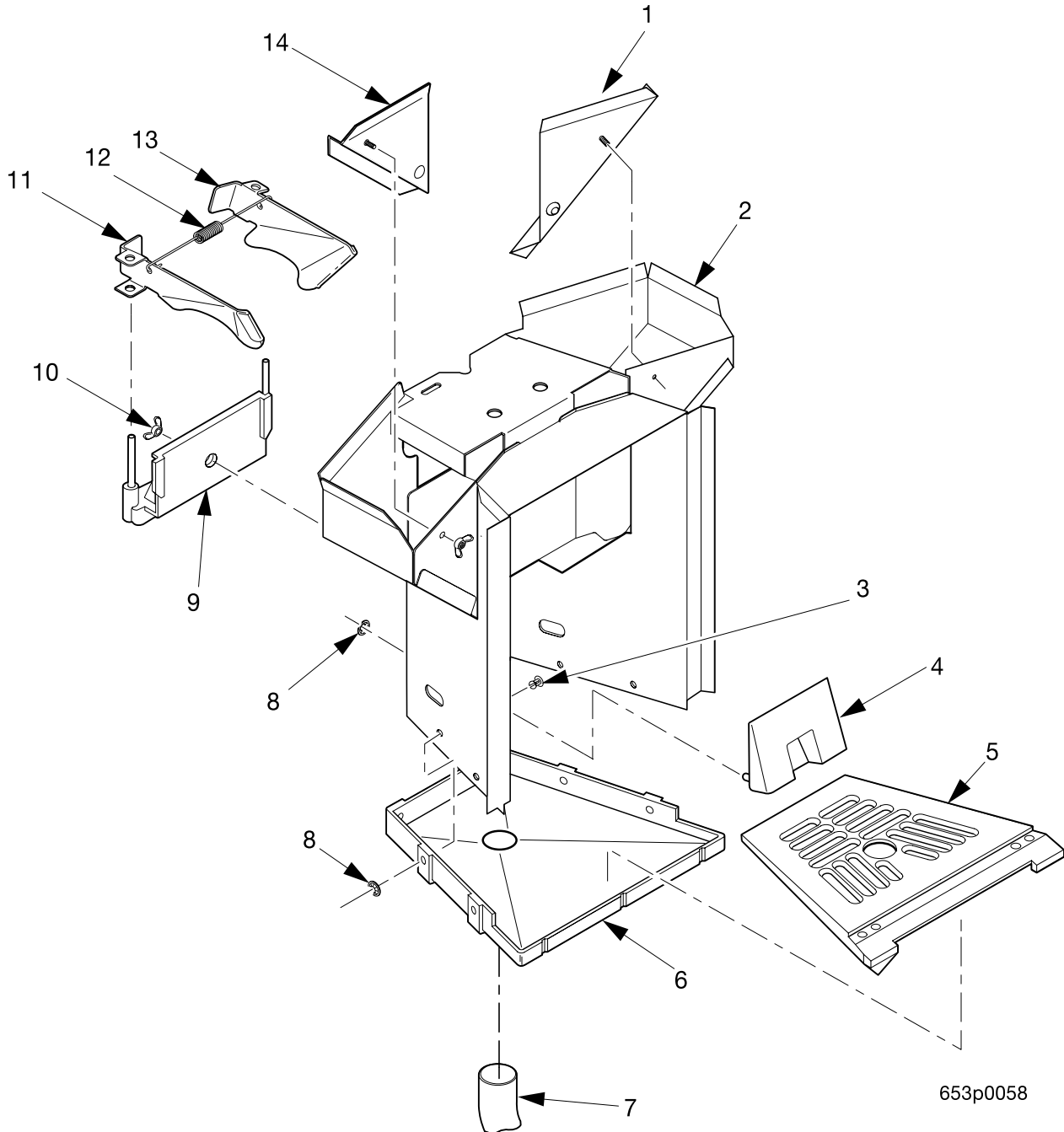


FIGURE 50: CUP DELIVERY ASSEMBLY FOR 7 THRU 12 OZ CUPS

TABLE 50: CUP DELIVERY ASSEMBLY FOR 7 THRU 12 OZ CUPS

INDEX	PART NUMBER	DESCRIPTION	QTY
--	6231544	CUP DELIVERY ASSEMBLY - SV	1
1	6231413	CHUTE ADAPTER ASSEMBLY - RIGHT (ARG./AUS./BRZ./FR./MEX./N.Z./S.A./SP./U.K./U.S.)	1
2	6231545	WELD ASSEMBLY - CUP DELIVERY - SV	1
3	6231492	PUSH - IN FASTENER	6
4	6231443	CUP SPACER/SENSOR LENS	1
5	6231432	DRAIN TRAY	1
6	6231489	BASE - CUP DELIVERY STATION	1
7	6231430	TUBE - DRAIN	1
8	6231431	RETAINER - .188	10
9	6231488	MOUNTING ASSEMBLY - CUP DEFLECTOR	1
10	3103133	WING NUT - #8-32 STAINLESS	1
11	6231438	CUP DEFLECTOR - R.H.	1
12	6231495	SPRING - CUP DEFLECTOR	1
13	6231439	CUP DEFLECTOR - L.H.	1
14	6231411	CHUTE ADAPTER ASSEMBLY - LEFT (ARG./AUS./BRZ./FR./MEX./N.Z./S.A./SP./U.K./U.S.)	1

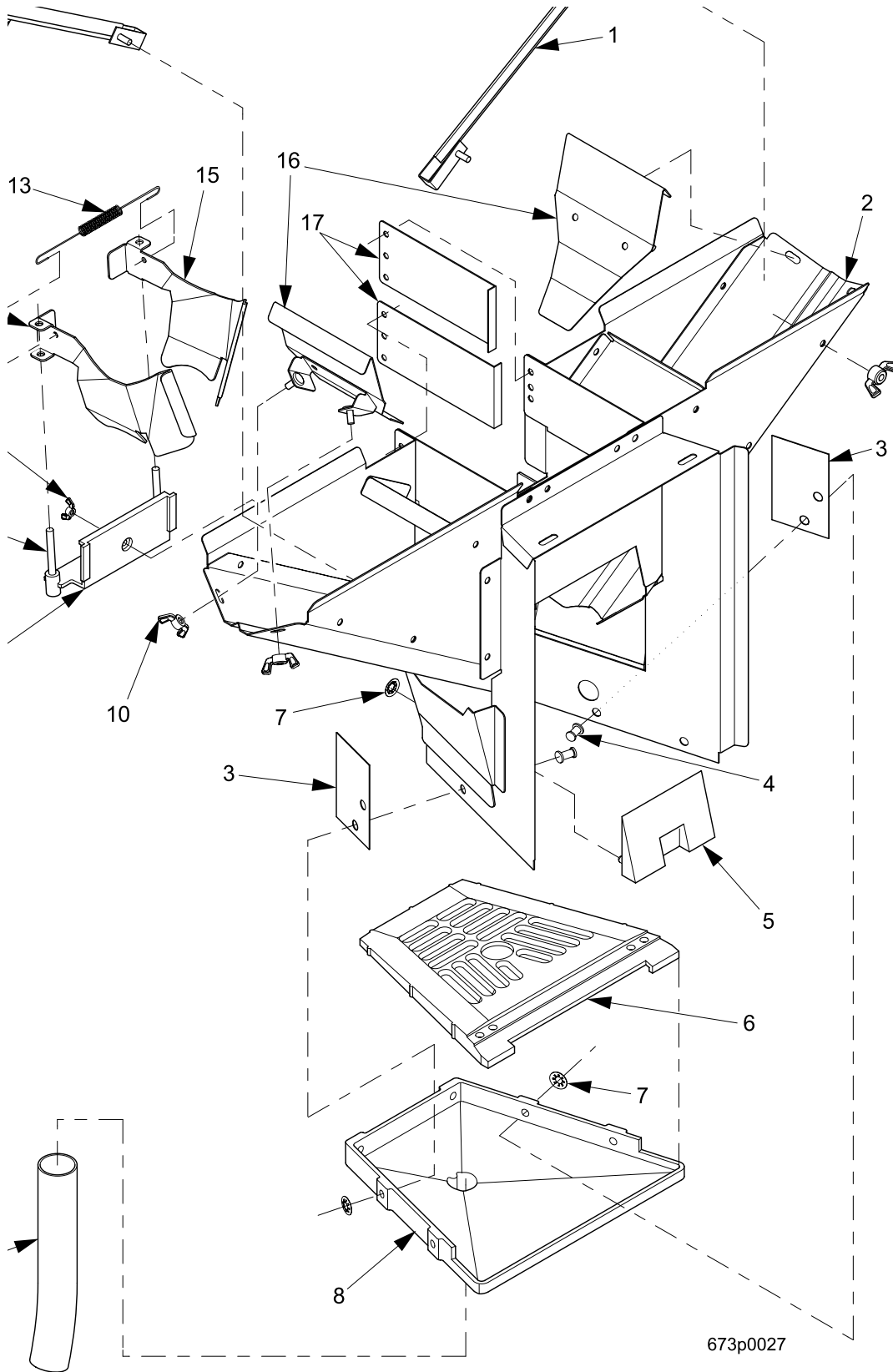
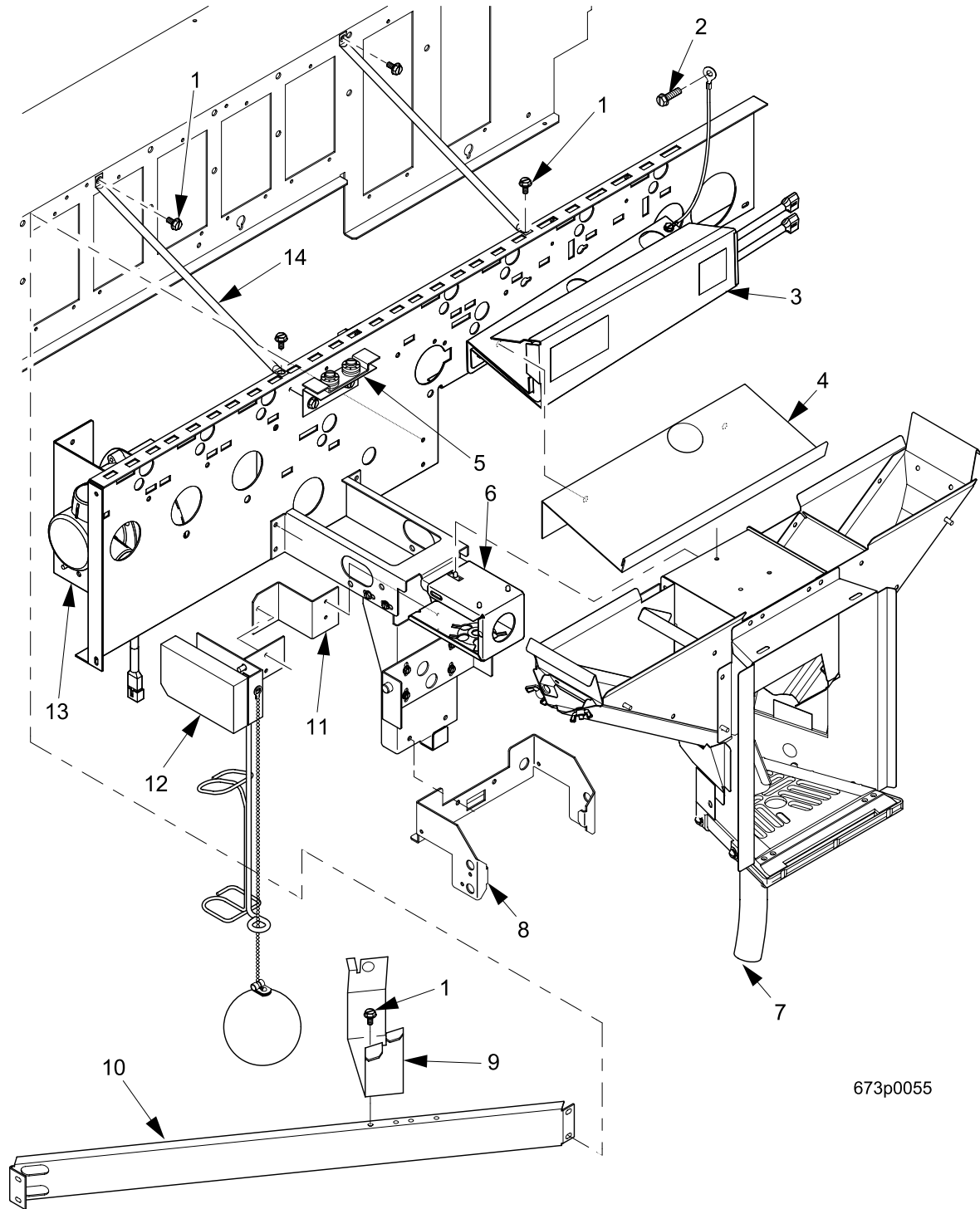


FIGURE 51: CUP DELIVERY ASSEMBLY FOR 12 THRU 20 OZ CUPS - SUREVEND

TABLE 51: CUP DELIVERY ASSEMBLY FOR 12 THRU 20 OZ CUPS - SUREVEND

INDEX	PART NUMBER	DESCRIPTION	QTY
1	6731045	GUIDE - CUP - CUPSTATION - LEFT	1
2	6731063	WELD ASSEMBLY - CUP DELIVERY	1
3	3281084	GUARD - IR SPLASH	2
4	6231492	PUSH - IN FASTENER - CUP DELIVERY	8
5	6231443	CUP SPACER/SENSOR LENS	1
6	6231432	DRAIN TRAY - CUP DELIVERY COMP.	1
7	6231431	RETAINER - .188 - CUP DELIVERY	10
8	6231489	BASE - CUP DELIVERY STATION	1
9	6231430	TUBE - DRAIN	1
10	3103133	WING NUT - #8-32 STAINLESS	9
11	6231488	MOUNTING ASSEMBLY - CUP DEFLECTOR	1
12	3283053	CUP DEFLECTOR - LEFT	1
13	6231495	SPRING - CUP DEFLECTOR	1
14	6731044	GUIDE - CUP - CUPSTATION - RIGHT	1
15	3283054	CUP DEFLECTOR - RIGHT	1
16	3283055	DEFLECTOR ASSEMBLY - CHUTE	2
17	6731030	SPACER - ADJUSTABLE	1

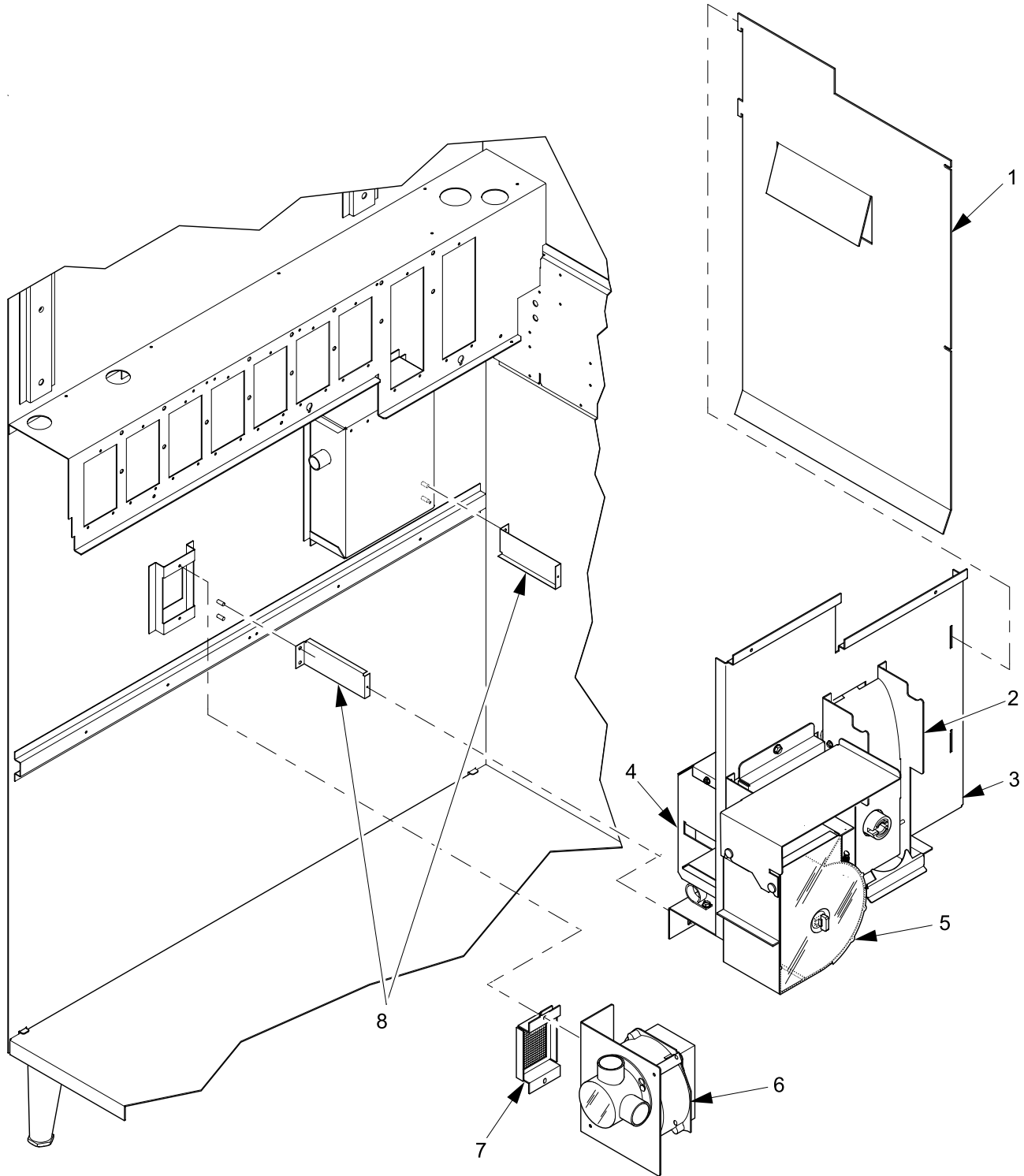


673p0055

FIGURE 52: CUP DELIVERY STATION AND MISCELLANEOUS CABINET PARTS

TABLE 52: CUP DELIVERY STATION AND MISCELLANEOUS CABINET PARTS

INDEX	PART NUMBER	DESCRIPTION	QTY
1	1451097	SCREW - #8-32X.31 HEX HD.TF - BLACK	--
2	3157060	SCREW - #8-32 X .31 HEX W/ HD. S	3
3	6361051	HEATER ASSEMBLY - 115V/50W (FOR FREEZE DRIED MODEL 943 ONLY)	--
4	6351005	BRACKET - TUBING RETAINER	1
5	6337057	CANISTER SUPPORT ASSEMBLY - LIGHTNER	1
6	6731047	SUPPORT ASSEMBLY - CUP STATION	1
7	6731025	CUP DELIVERY ASSEMBLY FOR 12 THRU 20 OZ CUPS	1
8	3281085	BRACKET - IR REMOTE	1
9	6331009	BRACE - CANISTER SUPPORT - FRESH BREW ONLY	1
10	6341007	BRACE - CANISTER SUPPORT	1
11	6738003	MOUNTING - OVERFLOW SWITCH ASSEMBLY	1
12	6231223	OVERFLOW SWITCH ASSEMBLY	--
13	6731067	BRKT, BLOW, SCREEN COVER AY-110V	1
14	6231533	BRACE - CANISTER SUPPORT - UPPER	2



673p0069

FIGURE 53: FILTER PAPER AND BLOWER ASSEMBLY

TABLE 53: FILTER PAPER AND BLOWER ASSEMBLY

INDEX	PART NUMBER	DESCRIPTION	QTY
1	6731008	SHIELD - WATER - BREWER	1
2	6734024	BREWER DRIVE ASSEMBLY	1
3	6734120	PANEL - BREWER MOTOR MOUNTING (SEE FIGURE 55)	1
4	6734122	PUMP ASSEMBLY - FINAL - 115V	1
5	6404112	FILTER PAPER HOUSING ASSEMBLY	1
6	6731067	BRKT,BLOW,SCREEN COVER AY-110V	1
7	1471054	BRACKET & SCREEN ASSEMBLY - EXHAUST	1
8	6234516	BRACKET - MOUNTING PLATE NOTE: USED ONLY WITH DUAL GRINDER	2

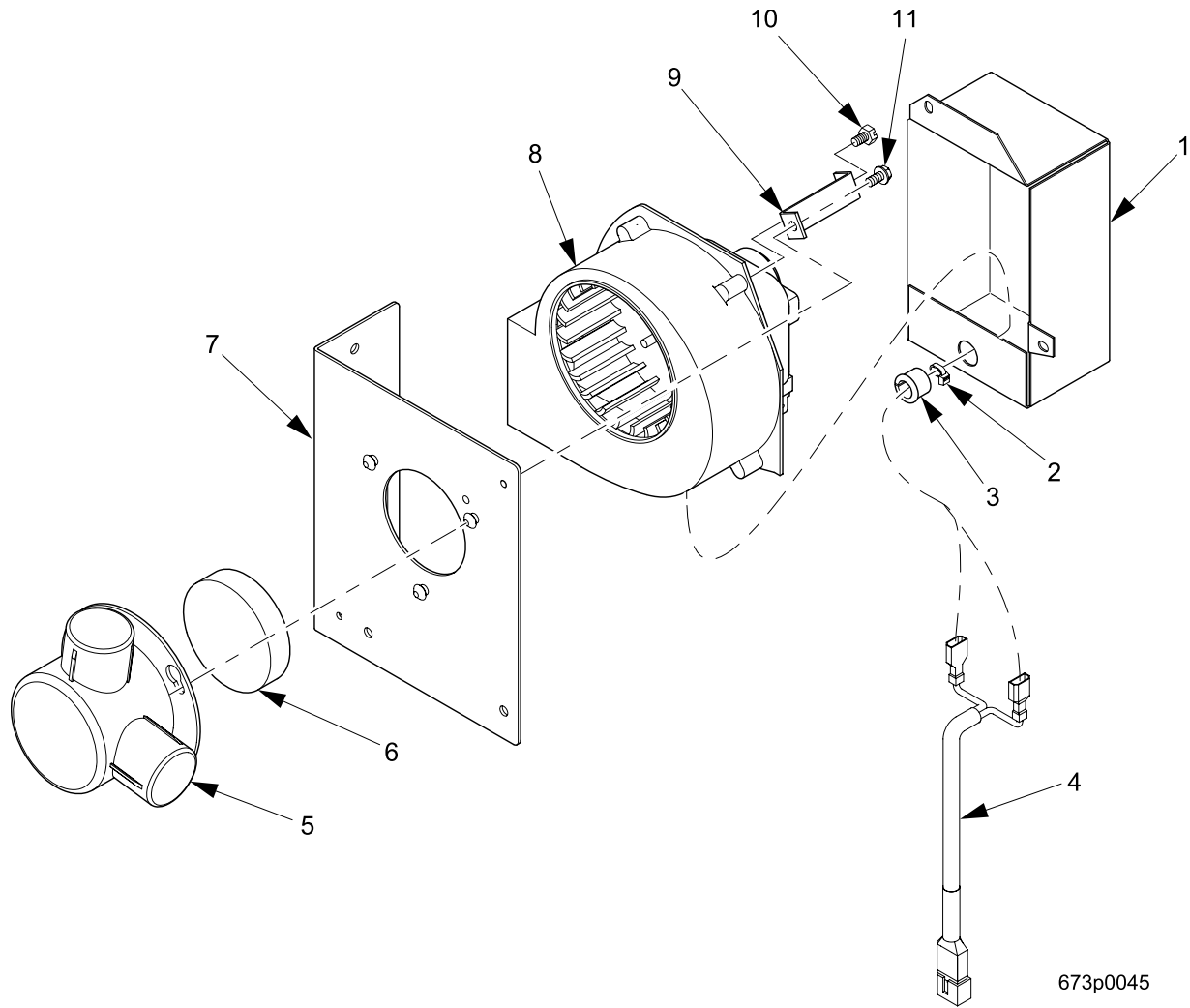
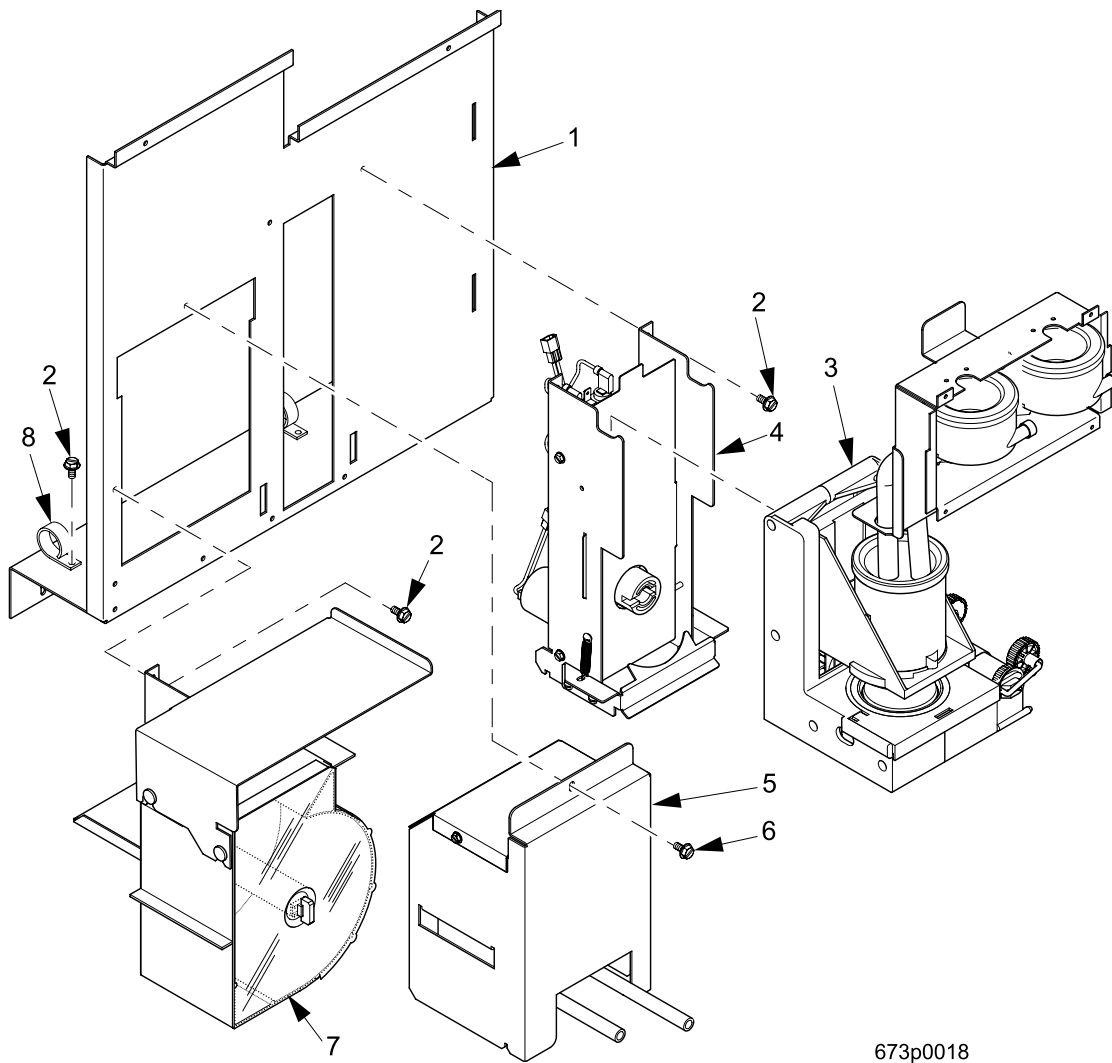


FIGURE 54: BRACKET, BLOWER, AND COVER ASSEMBLY

TABLE 54: BRACKET, BLOWER, AND COVER ASSEMBLY

INDEX	PART NUMBER	DESCRIPTION	QTY
1	6731069	COVER - BLOWER MOTOR	1
2	2204513	WIRE TIE - #PLT 1.5IM	1
3	3502097	BUSHING #OCB - 500	1
4	9989676	JUMPER - BLOWER	1
5	6237342	HOUSING - EXHAUST BLOWER	1
6	6237340	FILTER - EXHAUST BLOWER	1
7	6731066	BRACKET ASSEMBLY - BLOWER MOUNTING	1
8	4312210	BLOWER ASSEMBLY - 120V	1
9	6231553	TIE DOWN - BLOWER ASSEMBLY	2
10	1437204	SCREW - #8-10X.38 HEX HD.TFG	--
11	1451097	SCREW - #8-32X.31 HEX HD.TF - BLACK	--



673p0018

FIGURE 55: FILTER PAPER - PUMP/BREWER DRIVE (LOCATION)

TABLE 55: FILTER PAPER - PUMP/BREWER DRIVE (LOCATION)

INDEX	PART NUMBER	DESCRIPTION	QTY
1	6734120	PANEL - BREWER MOTOR MOUNTING	1
2	1451097	SCREW - #8-32X.31 HEX HD.TF - BLK.	8
3	6734065	BREWER ASSEMBLY - WITH FILTER (SEE FIGURE 59), (SEE FIGURE 60), AND (SEE FIGURE 61)	1
4	6734024	BREWER DRIVE ASSEMBLY (SEE FIGURE 58)	1
5	6734122	PUMP ASSEMBLY - FINAL - 115V (SEE FIGURE 57)	1
6	3157060	SCREW - #8-32 X .31 HEX W/ HD. SLOTTED - T/F - ZINC PL	1
7	6404112	FILTER PAPER HOUSING ASSEMBLY (SEE FIGURE 56)	1
8	4305043	HARNESS CLIP - 1.00	2

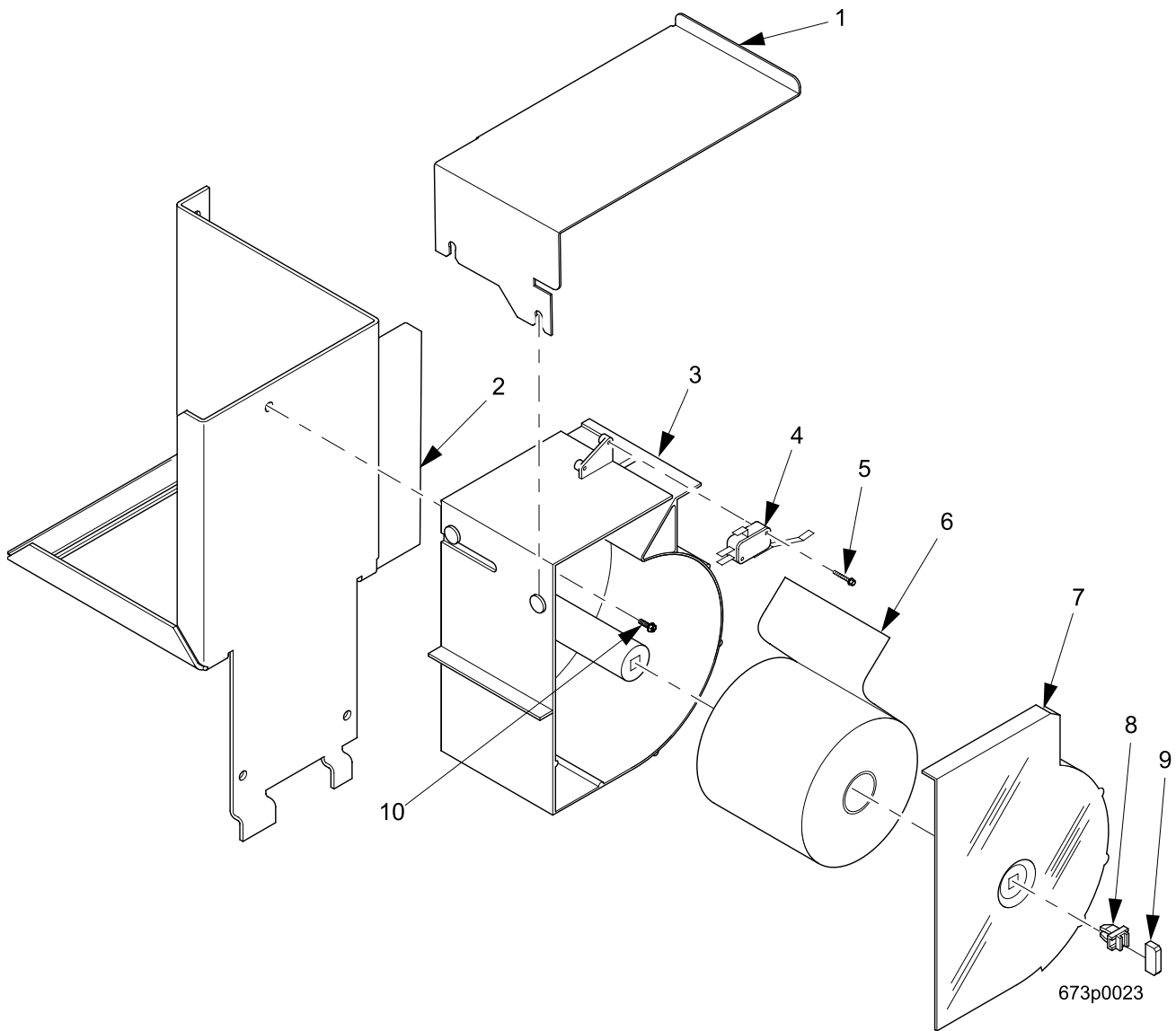


FIGURE 56: FILTER PAPER ASSEMBLY

TABLE 56: FILTER PAPER ASSEMBLY

INDEX	PART NUMBER	DESCRIPTION	QTY
1	6734015	SHIELD - FILTER PAPER	1
2	6734005	PLATE - PAPER MOUNTING	1
3	6844001	HOUSING - FILTER PAPER	1
4	3118011	SWITCH V3L - 1260-D8	1
5	6238070	SCREW - #4-17X.62 HEX HD	2
6	6404043	PAPER - FILTER (27RLS/CS) GRADE318	1
7	6734126	COVER - PAPER HOUSING	1
8	6404060	LATCH - 1/4 TURN	1
9	6404061	HANDLE - 1/4 TURN	1
10	4741050	SCREW - #8-32 X .50 HX.HD. - T/F - BLACK	3

NOT SHOWN 6734080 LABEL, VEND MARKER (AMOUNT OF PAPER LEFT)

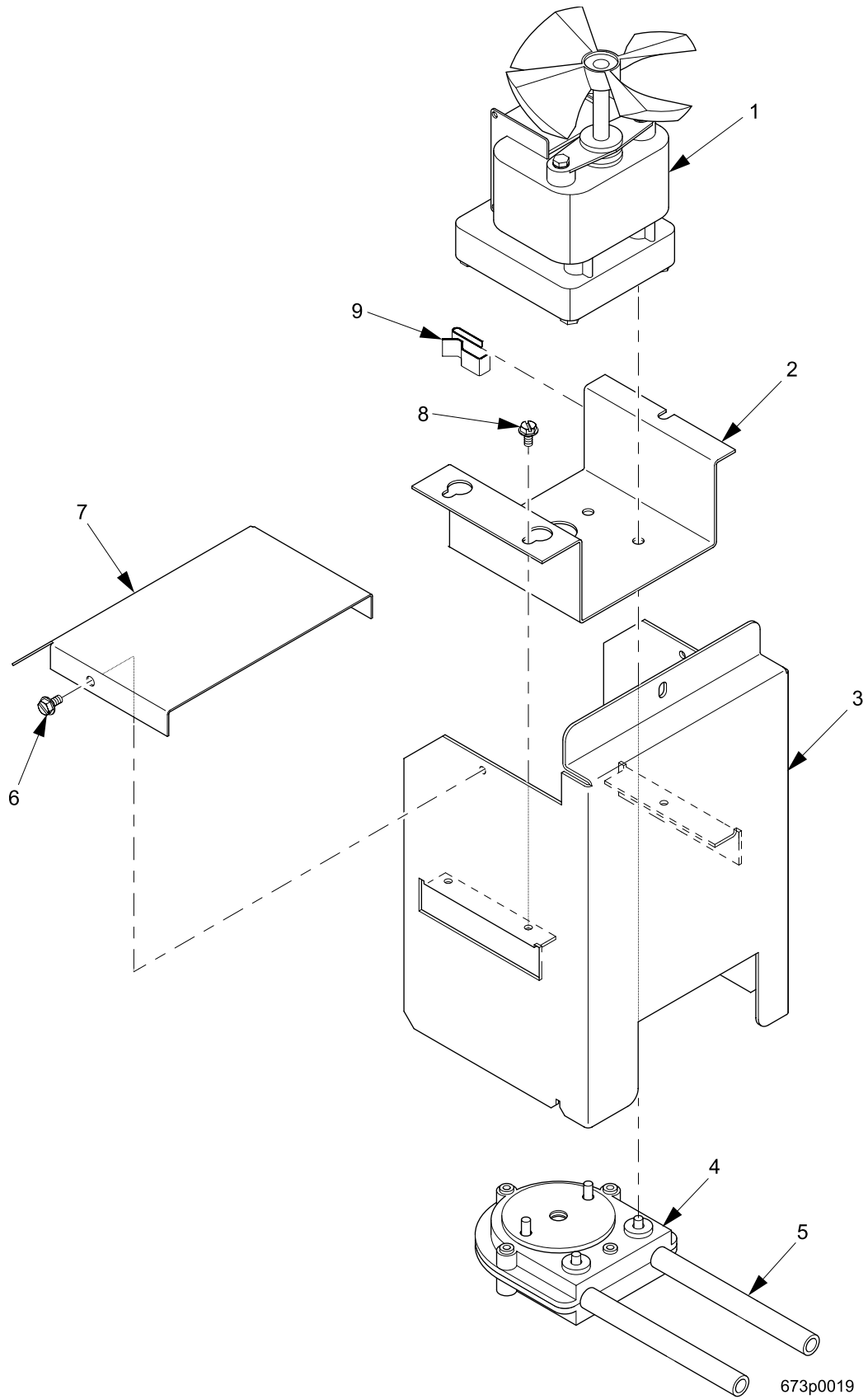


FIGURE 57: PUMP ASSEMBLY - 115V

TABLE 57: PUMP ASSEMBLY - 115V

INDEX	PART NUMBER	DESCRIPTION	QTY
1	6734097	MOTOR - BREWER PUMP - 115V	1
2	6844006	BRACKET - PUMP MOUNTING	1
3	6734121	BRACKET-MOUNTING-PUMP	--
4	6734072	PUMP ASSY - 115V	1
5	6804055	TUBING - 6404059 - 35.5"	1
6	1451097	SCREW - #8-32X.31 HEX HD.TF - BLACK	2
7	6734009	COVER - PUMP	1
8	3157060	SCREW - #8-32 X .31 HEX W/ HD. S	3
9	1212159	WIRE CLIP	1

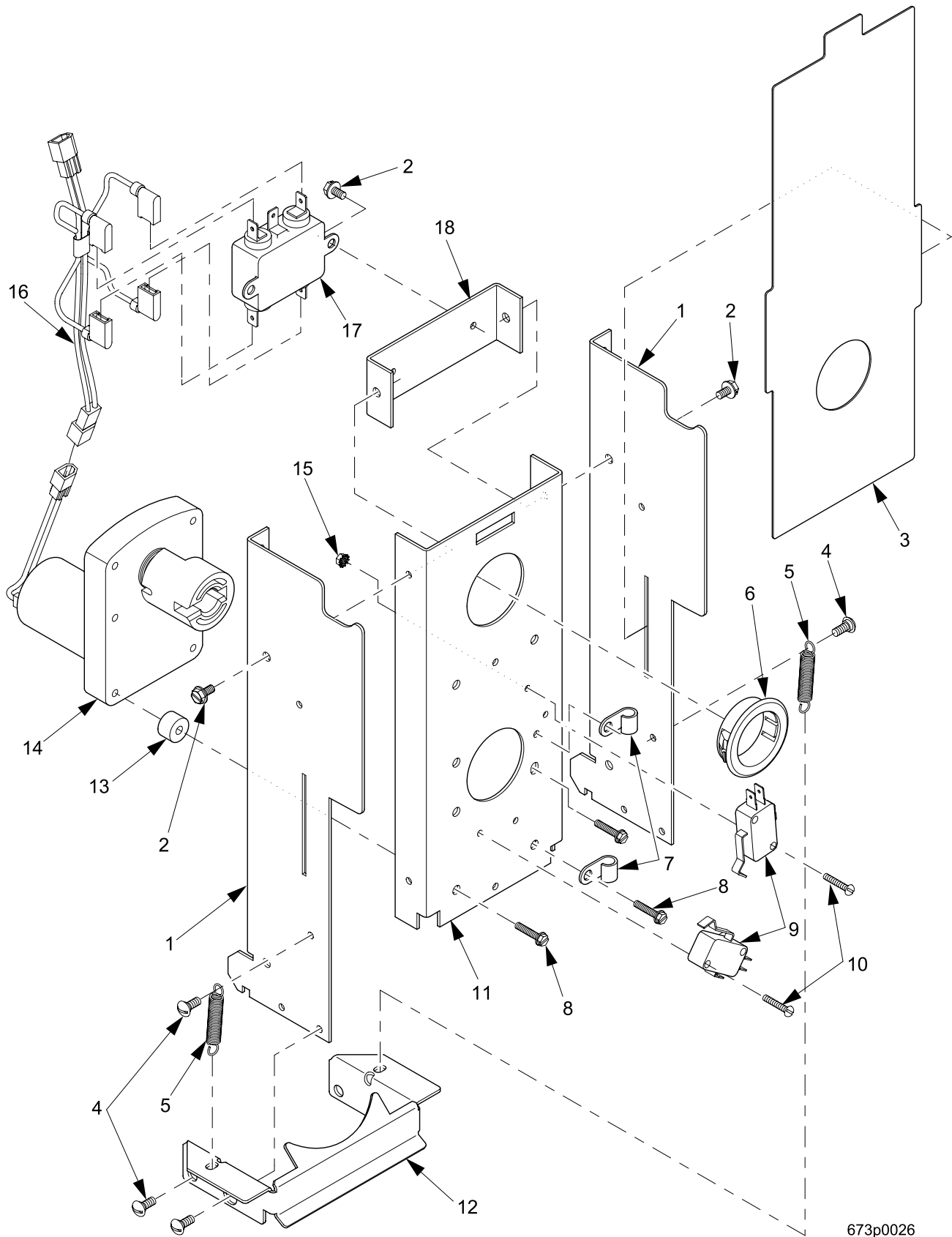
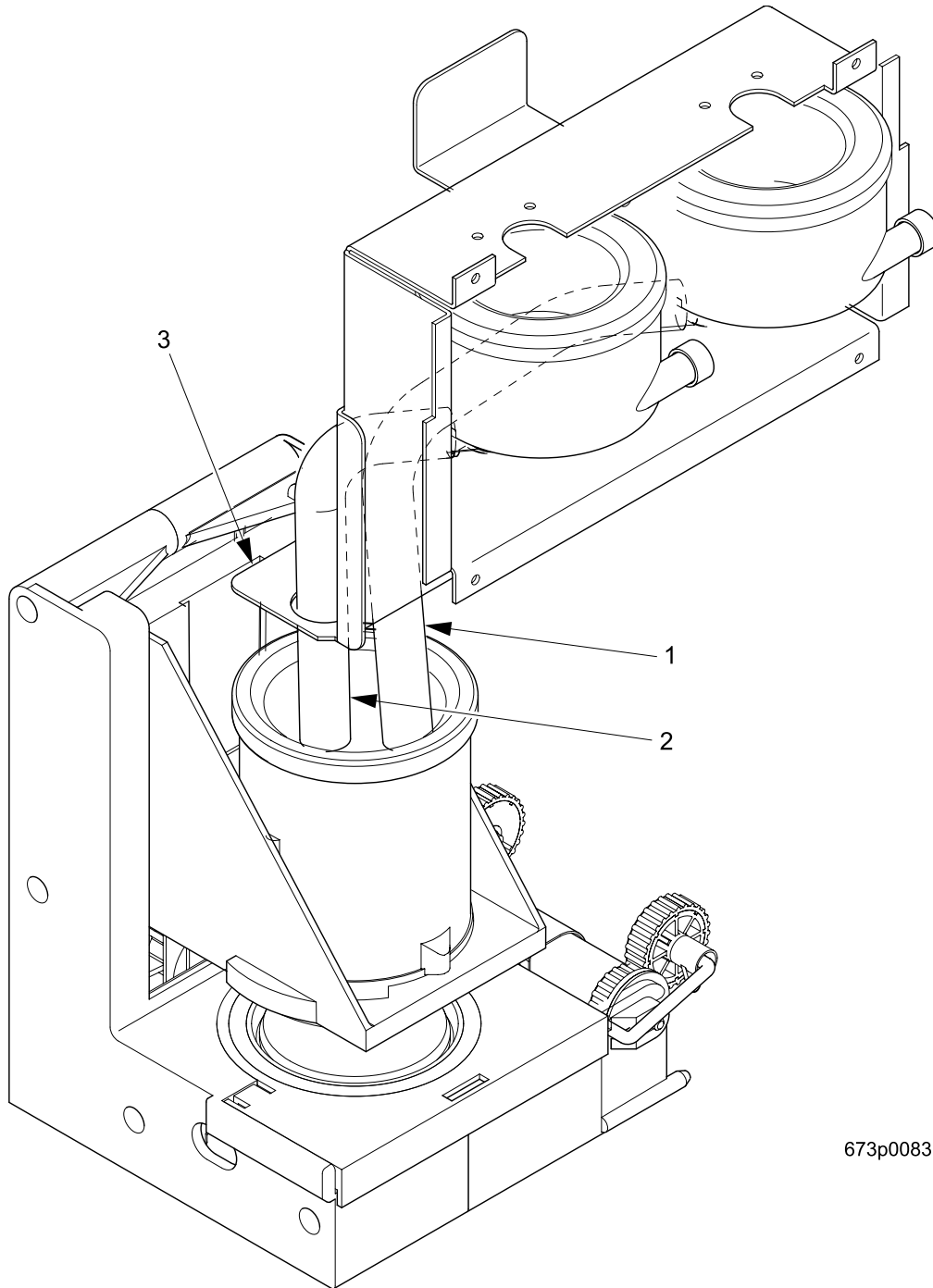


FIGURE 58: BREWER DRIVE ASSEMBLY

673p0026

TABLE 58: BREWER DRIVE ASSEMBLY P6734024

INDEX	PART NUMBER	DESCRIPTION	QTY
1	6734006	PLATE - BREWER MOUNTING	2
2	1451097	SCREW - #8-32X.31 HEX HD.TF - BLACK	8
3	6734003	COVER - BREWER SWITCHES - LONG	1
4	4027053	SCREW - GATE STOP	6
5	6404067	SPRING - EXTENSION	2
6	6106021	BUSHING #SB1500 - 21	1
7	1211161	CABLE CLAMP - RICHCO#N4	2
8	1457027	SCREW - #8-32 X .81 HEX HD - T/F	4
9	6234279	SWITCH-BREWER	2
10	1217160	4-40X5/8 RHS M SCREW Z/Y	4
11	6734004	MOUNTING - BREWER DRIVE	1
12	6734011	LATCH - BREWER	1
13	4302134	SPACER - P.C. BOARD	4
14	6404009	MOTOR & CYCLE CAM ASSEMBLY	1
15	1217159	4 - 40 KEPS W/EXT L/WAS H ZP	4
16	6889000	HARNESS - BREWER MOTOR FILTER	1
17	9989100	INTERFERENCE FILTER	1
18	6881040	BRACKET - FILTER MOUNTING	1

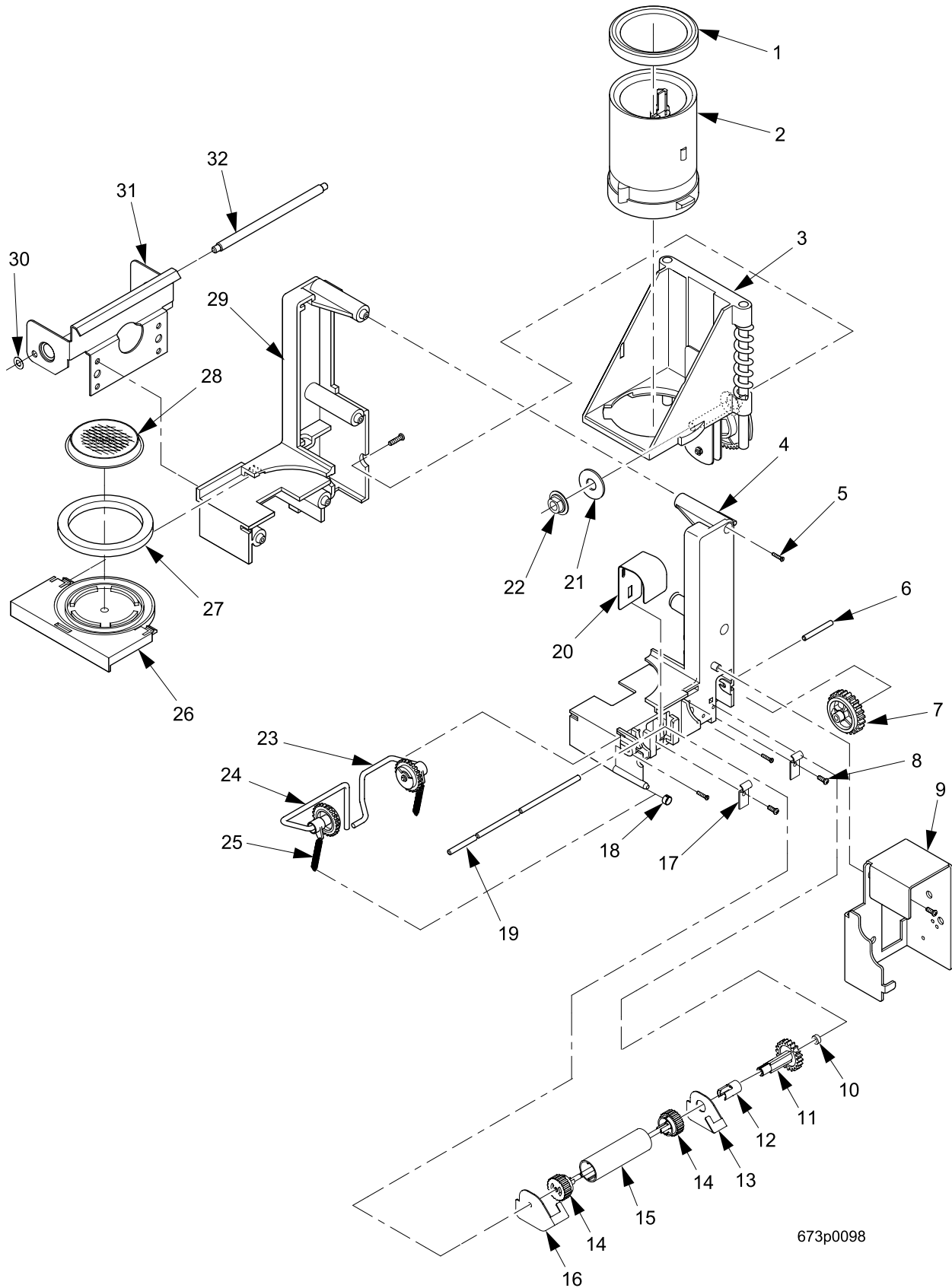


673p0083

FIGURE 59: BREWER ASSEMBLY WITH HOSES AND MIXING BOWL

TABLE 59: BREWER ASSEMBLY WITH HOSES AND MIXING BOWL

INDEX	PART NUMBER	DESCRIPTION	QTY
1	6734013	HOSE - BREWER - COFFEE	1
2	6734020	HOSE - BREWER - DECAF	1
3	6734014	RETAINER - HOSE - BREWER	1
--	6734019	RETAINER - HOSE - BREWER - SINGLE FRESH BREW (NOT SHOWN)	1
--	6774002	RETAINER-HOSE-BREWER-DUAL GR.(NOT SHOWN)	1
--	6734021	HOSE - BREWER - COFFEE - DUAL FBG. (NOT SHOWN)	1
--	6734022	HOSE - BREWER - DECAF - DUAL FBG (NOT SHOWN)	1



673p0098

FIGURE 60: BREWER ASSEMBLY WITH FILTER

TABLE 60: BREWER ASSEMBLY WITH FILTER

INDEX	PART NUMBER	DESCRIPTION	QTY
--	6734065	BREWER ASSEMBLY - WITH FILTER	--
--	6734057	BREWER ASSEMBLY (ITEMS 1-7, 21, 22, 29)	--
1	6404031	LID - CYLINDER	1
2	6404004	CYLINDER - BREWER	1
3	6734053	CARRIER & CAM FOLLOWER ASSEMBLY	1
4	6734124	HOUSING - BREWER - RIGHT SIDE	1
5	1572242	SCREW - #8-18 X.75 PLASTITE HH	4
6	6404023	AXLE - INDEX GEAR	1
7	6404022	GEAR - PAPER INDEX PINION	1
8	4277042	SCREW - #8-10 X.5 T/F-PHS	3
9	6734052	HOUSING - PAPER DRIVE	1
10	6734066	SPACER - .375ID X.192 OD X.156	1
11	6404024	GEAR - DRIVE - PAPER	1
12	6234603	ROLLER DRIVE - PAPER MECH.	1
13	6734078	DEFLECTOR - FILTER PAPER - RIGHT	1
14	6234620	ROLLER END CAP - PAPER MECH	2
15	6404026	ROLLER - EXTRUSION PAPER	1
16	6734077	DEFLECTOR - FILTER PAPER - LEFT	1
17	6404114	RETAINER - IDLER AXIS	2
18	6804061	RING - COMPRESSION - .25	1
19	6404025	SHAFT - PAPER DRIVE	1
20	6404113	GUIDE - PAPER	1
21	6134042	WASHER 1X.390X22GA TYPE 304	1
22	4047012	SHOULDER BUSHING	1
23	6404108	IDLER AXLE & ROLLER ASSEMBLY - RIGHT	1
24	6404107	IDLER AXLE & ROLLER ASSEMBLY - LEFT	1
25	6404067	SPRING - EXTENSION	2
--	6734100	PLATFORM, SEAL & SCREEN ASSEMBLY (NEXT 3 ITEMS)	--
26	6734060	HOUSING - SCREEN & SEAL	1
27	6404090	SEAL - BREWER	1
28	6404070	SCREEN - BREWER - 60 X 60 MESH	1
29	6734125	HOUSING - BREWER-LEFT SIDE	1
30	6404027	RETAINER - GROOVLESS	2
--	6734076	GUIDE - PAPER ASSEMBLY (NEXT 2 ITEMS)	--
31	6734073	GUIDE - PAPER ASSEMBLY	1
32	6734074	SHAFT - PAPER DRIVE	1

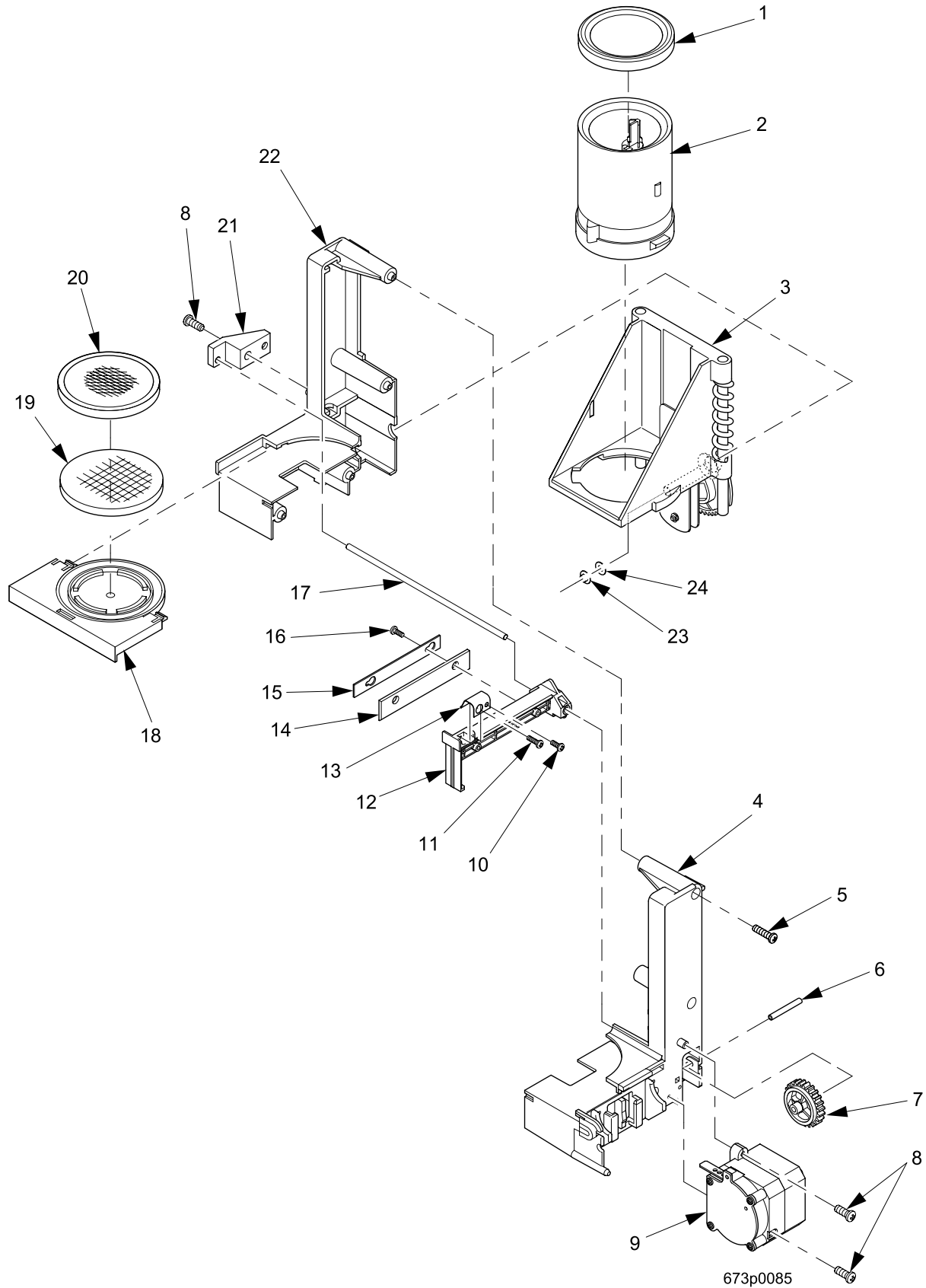


FIGURE 61: BREWER ASSEMBLY WITHOUT FILTER

TABLE 61: BREWER ASSEMBLY WITHOUT FILTER

INDEX	PART NUMBER	DESCRIPTION	QTY
--	6734132	BREWER ASSEMBLY WITHOUT FILTER	--
1	6404031	LID - CYLINDER	1
2	6404004	CYLINDER - BREWER	1
3	6734053	CARRIER & CAM FOLLOWER ASSEMBLY (SEE FIGURE 63)	1
4	6734124	HOUSING - BREWER - RIGHT SIDE	1
5	1572242	SCREW - #8-18 X.75 PLASTITE HHS	4
6	6404023	AXLE - INDEX GEAR	1
7	6404022	GEAR - PAPER INDEX PINION	1
8	4277042	SCREW - #8-10 X.5 T/F - PHS	3
9	6734133	GEAR TRAIN AY - REVERSER MECH	1
10	4747171	SCREW - #6-19 X .38 PHIL.PHS - T/C	1
11	1577008	SCREW - #6-19 X.50 PLASTITE PHS	1
12	6734067	HOUSING & BEARING ASSEMBLY	1
13	6734047	SPRING - GUIDE	1
14	6734049	SQUEEGEE - BREWER	1
15	6734048	RETAINER - SQUEEGEE	1
16	4747171	SCREW - #6-19 X .38 PHIL.PHS - T/C	2
17	6734050	SHAFT - SQUEEGEE - HOUSING	1
18	6734060	HOUSING - SCREEN & SEAL	1
19	6734068	SCREEN - SUPPORT	1
20	6734061	SEAL & SCREEN ASSEMBLY	1
21	6734051	HOUSING - SQUEEGEE - SHAFT	1
22	6734125	HOUSING - BREWER - LEFT SIDE	1
23	6134042	WASHER 1X.390X22GA TYPE 304 SS	1
24	4047012	SHOULDER BUSHING	1

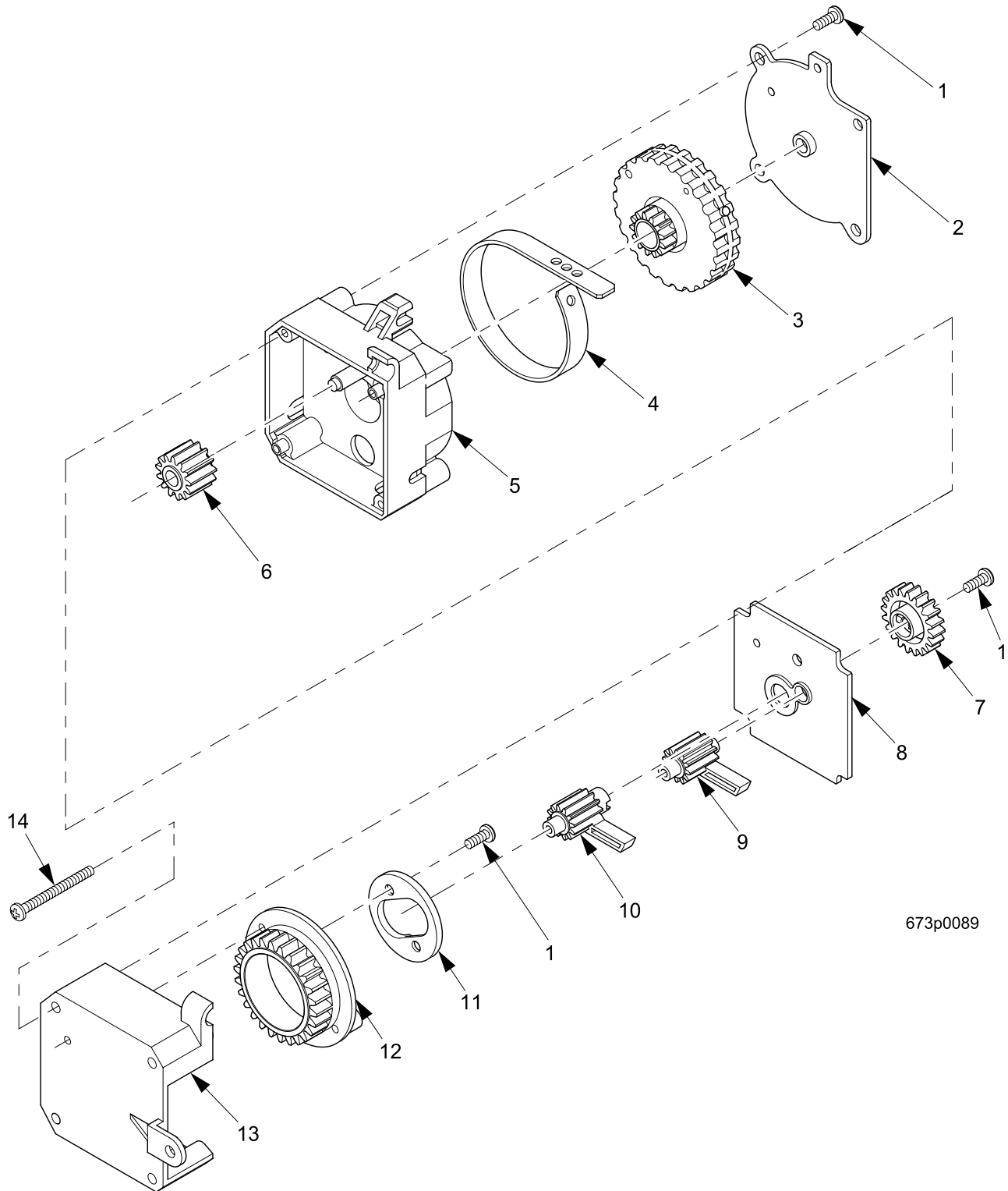


FIGURE 62: GEAR TRAIN ASSEMBLY

TABLE 62: GEAR TRAIN ASSEMBLY

INDEX	PART NUMBER	DESCRIPTION	QTY
--	673413	GEAR TRAIN AY - REVERSER MECH	--
1	4747171	SCREW - #6-19 X .38 PHIL.PHS - T/C	7
2	6734128	RETAINER - SPROCKET	1
3	6734032	SPROCKET - BELT - DRIVE	1
4	6734134	BELT	1
5	6734034	HOUSING - SPROCKET	1
6	6734035	GEAR - .65DP - 13 TEETH - 20DP	1
7	6734036	GEAR - 1PD-20 TEETH - 20DP	1
8	6734037	PLATE - HOUSING - CENTER	1
9	6734038	LINK - FOLLOWER - .5PD - 12TEETH - 24P	1
10	6734039	LINK - OUTPUT - .5PD - 12TEETH - 24PD	1
11	6734040	RETAINER - GEAR	1
12	6734041	GEAR - DRIVER	1
13	6734042	HOUSING - GEAR - DRIVER	1
14	6734043	SCREW - #6-19 X 1.50LG - PHILLIPS	4

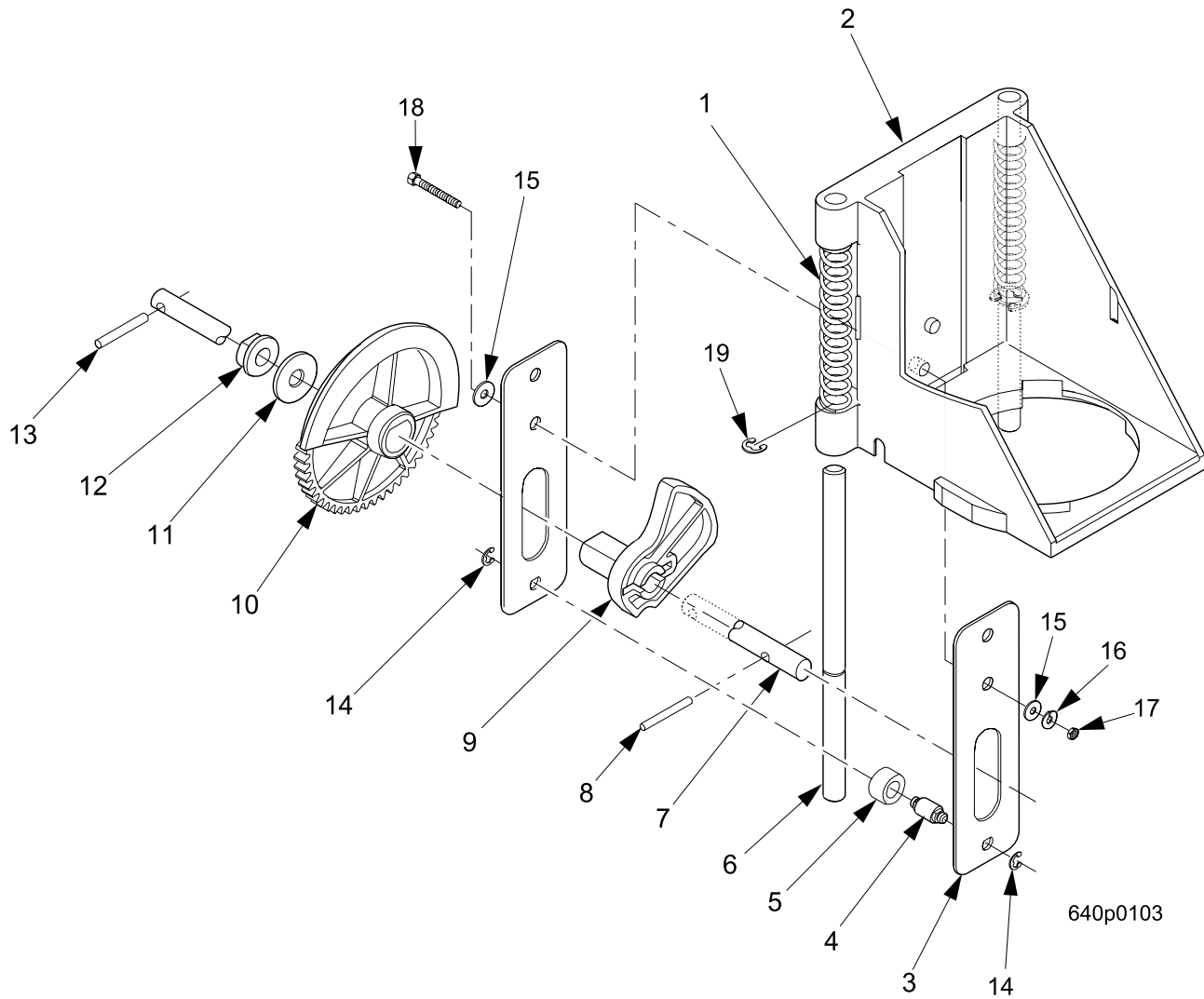


FIGURE 63: CARRIER AND CAM FOLLOWER ASSEMBLY

TABLE 63: CARRIER AND CAM FOLLOWER ASSEMBLY

INDEX	PART NUMBER	DESCRIPTION	QTY
--	6734053	CARRIER & CAM FOLLOWER ASSEMBLY	--
1	6404017	SPRING - CARRIER	2
2	6734055	CARRIER - CYLINDER	1
3	6404019	PLATE - CAM FOLLOWER	2
4	6404073	SHAFT - CAM FOLLOWER	1
5	6404074	ROLLER - CAM FOLLOWER	1
6	6734054	SHAFT - CARRIER BEARING	2
7	6404013	SHAFT - CAM	1
8	4047061	ROLL PIN - 1/8X1 1/8	1
9	6734056	CAM - CYLINDER CARRIER	1
10	6404015	GEAR - PAPER INDEX DRIVE	1
11	6134042	WASHER 1X.390X22GA TYPE 304 SS	1
12	4047012	SHOULDER BUSHING	1
13	6133157	ROLL PIN 3/16 X 1	1
14	6104220	RETAIN RING TRUARC 5133 - 18H SS	2
15	6404034	WASHER - .687 O.D. X .265 I.D. X .050	2
16	6404035	LOCK WASHER - SPLIT	1
17	6134160	NUT # 1/4-20 HEX	1
18	6404033	SCREW - 1/4-20 X 1 HEX HD.	1
19	6404036	RET.RING - REINF.E TYPE - .375	2

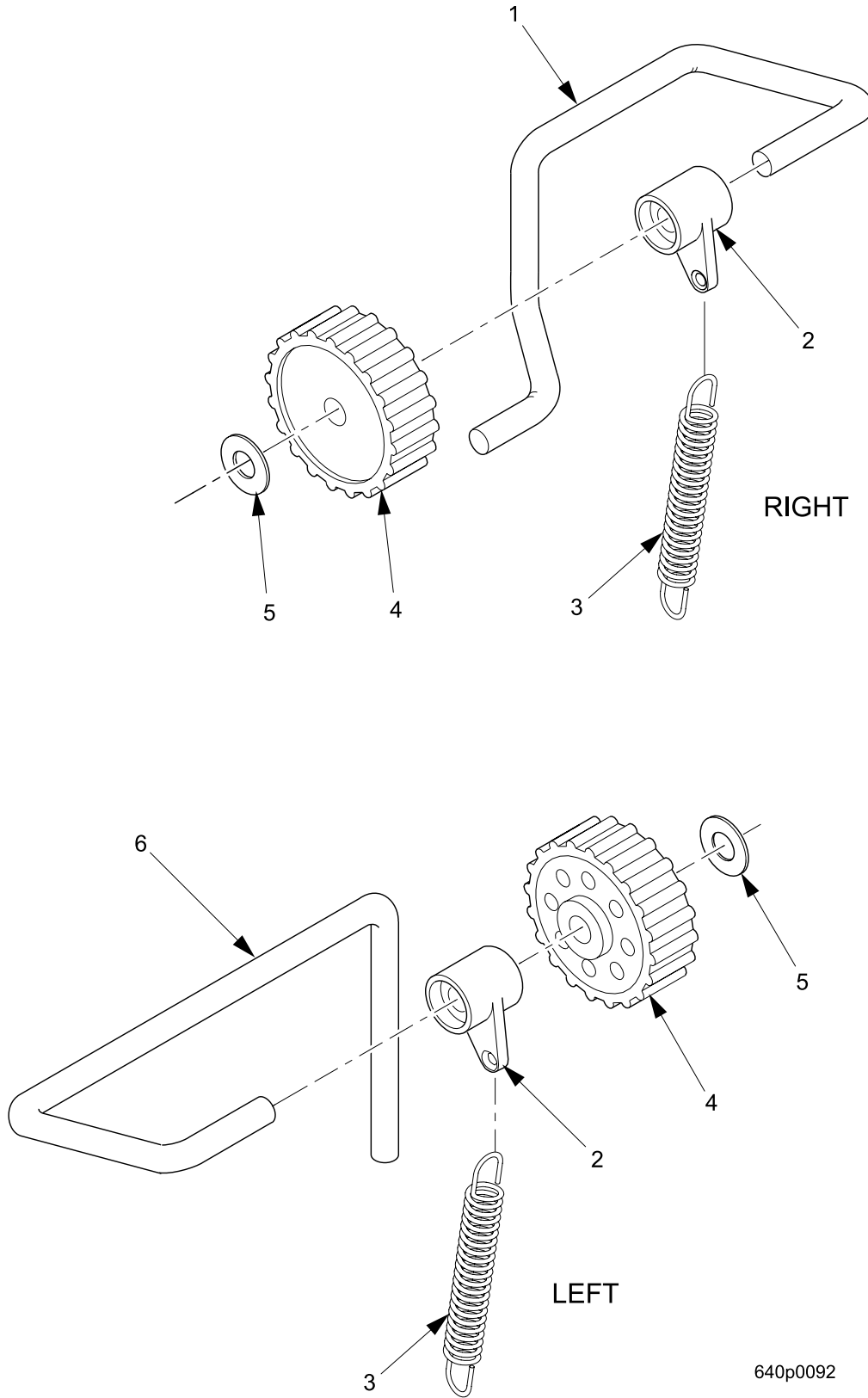


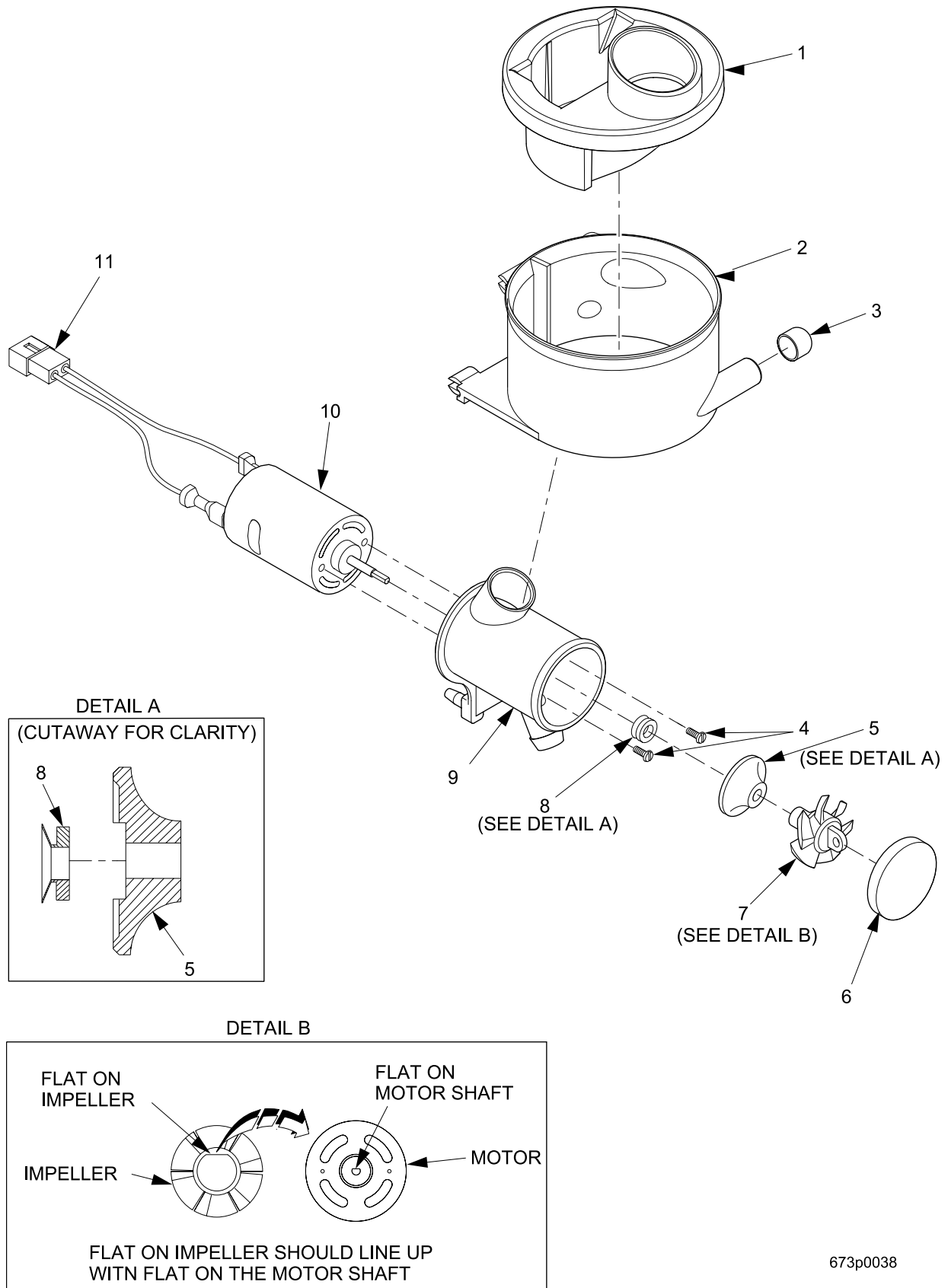
FIGURE 64: IDLE AXLE AND ROLLER ASSEMBLY

TABLE 64A: IDLE AXLE AND ROLLER ASSEMBLY - RIGHT

INDEX	PART NUMBER	DESCRIPTION	QTY
--	6404108	IDLE AXLE AND ROLLER ASSEMBLY - RIGHT	--
1	6404096	AXLE - IDLER ROLLER - RIHGT	1
2	6404030	TOGGLE - SPRING	1
3	6404067	SPRING - EXTENSION	1
4	6404098	DRIVE/IDLER - PAPER DRIVE	1
5	6404027	RETAINER - GROOVLESS	1

TABLE 64B: IDLE AXLE AND ROLLER ASSEMBLY - LEFT

INDEX	PART NUMBER	DESCRIPTION	QTY
--	6404107	IDLE AXLE AND ROLLER ASSEMBLY - LEFT	--
2	6404030	TOGGLE - SPRING	1
3	6404067	SPRING - EXTENSION	1
4	6404098	DRIVE/IDLER - PAPER DRIVE	1
5	6404027	RETAINER - GROOVLESS	1
6	6404095	AXLE - IDLER ROLLER - LEFT	1



673p0038

FIGURE 65: WHIPPER ASSEMBLY

TABLE 65: WHIPPER ASSEMBLY

INDEX	PART NUMBER	DESCRIPTION	QTY
1	6537019	VENT & DIVIDER ASSEMBLY	1
2	6537030	MIXING BOWL	1
3	6237306	VINYL CAP - .38 I.D.	1
4	6237119	SCREW - M3XL.5-6GX6MM - SPH	2
5	6237192	SPACER - WHIPPER	1
6	6337085	COVER - WHIPPER	1
7	6237194	IMPELLER - WHIPPER	1
8	6237110	V RING - SHAFT SEAL	1
9	6237193	HOUSING - WHIPPER	1
10	6237111	MOTOR - WHIPPER - 24V DC	1
11	6237157	HARNESS - WHIPPER MOTOR	1
--	6337076	HARNESS - WHIPPER MOTOR - INCLUDES ITEMS 1, 2, 3, 4 (NOT SHOWN)	1
--	6337078	MIXING BOWL ASSEMBLY - P & NO S - INCLUDES ITEMS 1, 2, 3 (NOT SHOWN)	1
--	6337079	MIXING BOWL ASSEMBLY - NO P & NO S - INCLUDES ITEMS 1, 2 (NOT SHOWN)	1

6237195 WHIPPER ASSEMBLY, INCLUDES PARTS 4, 5, 6, 7, 8, 9, 10, 11

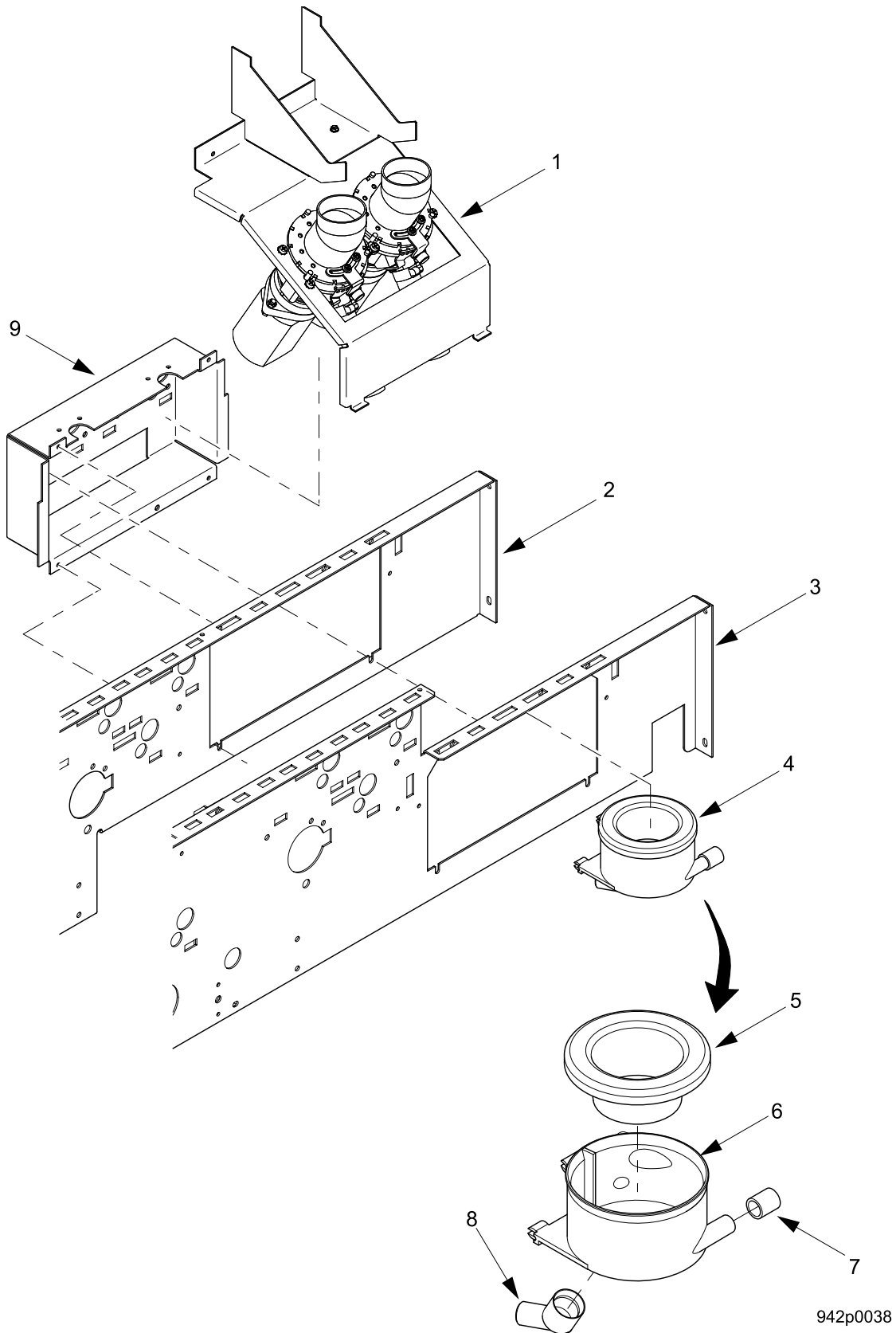
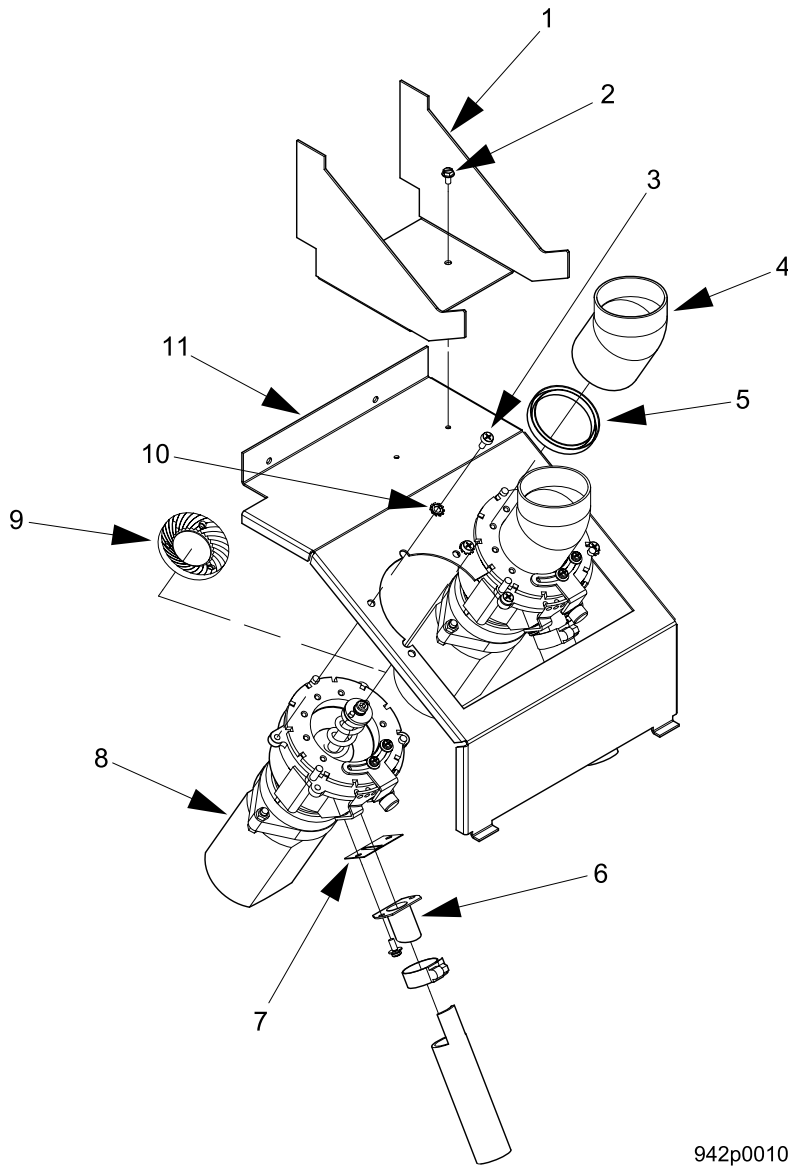


FIGURE 66: MIXING BOWL ASSEMBLY - WITH CAP AND SPOUT-

TABLE 66: MIXING BOWL ASSEMBLY - WITH CAP AND SPOUT

INDEX	PART NUMBER	DESCRIPTION	QTY
1	9447010	GRINDER ASM (SEE FIGURE 67)	1
2	6731056	CHANNEL-CANISTER SUPPORT (USED FOR FRESH BREW ONLY)	1
3	6731057	CHNL.W/A - CAN.SUPPORT - DUAL GRD.	--
4	6737010	MIXING BOWL ASSEMBLY - P & FB S	2
5	6237313	VENT - BOWL	2
6	6537030	MIXING BOWL	2
6	6237306	VINYL CAP - .38 I.D.	2
7	6737008	SPOUT - MIXING BOWL - ANGLE	2
8	6237252	CHUTE - GRINDER	1
9	6734115	MOUNTING-MIXING BOWLS (USED FOR FRESH BREW ONLY)	1



942p0010

FIGURE 67: GRINDER ASSEMBLY

TABLE 67: GRINDER ASSEMBLY

INDEX	PART NUMBER	DESCRIPTION	QTY
--	9447010	GRINDER ASM	--
1	9447001	HOPPER SUPPORT	
2	1451097	SCREW-#8-32X.31 HEX HD.TF-BLK.	
3	AP23100077	SCREW M5X.8X10MM CHS HD PHL ZP	
4	9447002	GRINDER TUBE	
5	AP36649	SEAL MINI GRINDER/CANISTER	
6	AP32183-36	NOZZLE & GUIDE ASM MINI-GRD NA	
7	AP32183-33	PLATE NOZZLE MINI-GRNDR	
8	AP33544	GRINDER COFFEE MINI DG	
9	AP32183-14	CUTTER MINI-GRINDER	
10	AP37840	WASHER LOCK #10 EX TOOTH BRNZ	
11	9447000	GRINDER BRACKET	
NOT SHOWN 9449000 HARNESS - MINI GRINDER JUMPER (2 PER MACHINE REQUIRED)			

TABLE 68: EXTERIOR MONETARY DOOR

INDEX	PART NUMBER	DESCRIPTION	QTY
1	1575094	PANEL WELD ASSEMBLY - MONETARY - NV BLACK	1
2	1401110	SWITCH	1
3	6335002	SERVICE KEYPAD ASSEMBLY	1
4	1675006	INSERT - INSTRUCTIONS - UPPER - SUREVEND	1
5	9425002	INSERT - INSTRUCTIONS - FREE VEND	1
6	9989639	SWITCH ASSEMBLY - FREE VEND	1
7	1575012	INSERT - INSTRUCTIONS - COINS/BILLS - U.S.	1
8	1572013	LENS - DISPLAY	1
9	9422010	DECAL LOGO	1
10	9445004	SELECTION PANEL-MONETARY-AP	1
11	1575035	INSERT - INSTRUCTIONS - LOWER - ENGLISH	1
12	1575044	COVER PLATE ASSEMBLY - NO COIN	1
13	9900081	NUT #8-32 KEPS ZINC PLATE	--
14	1575048	PLATE - INSERT BACKING	1

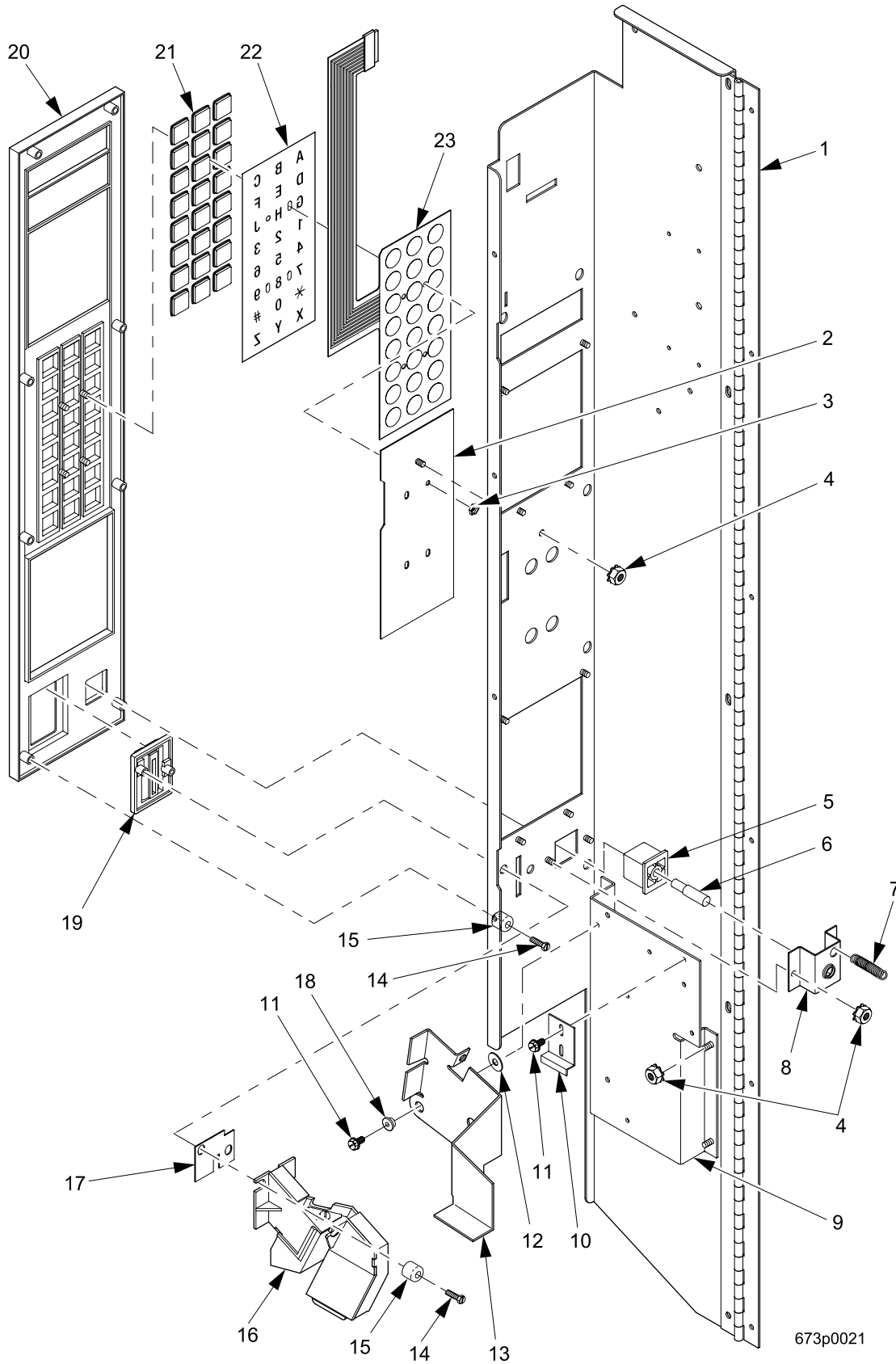
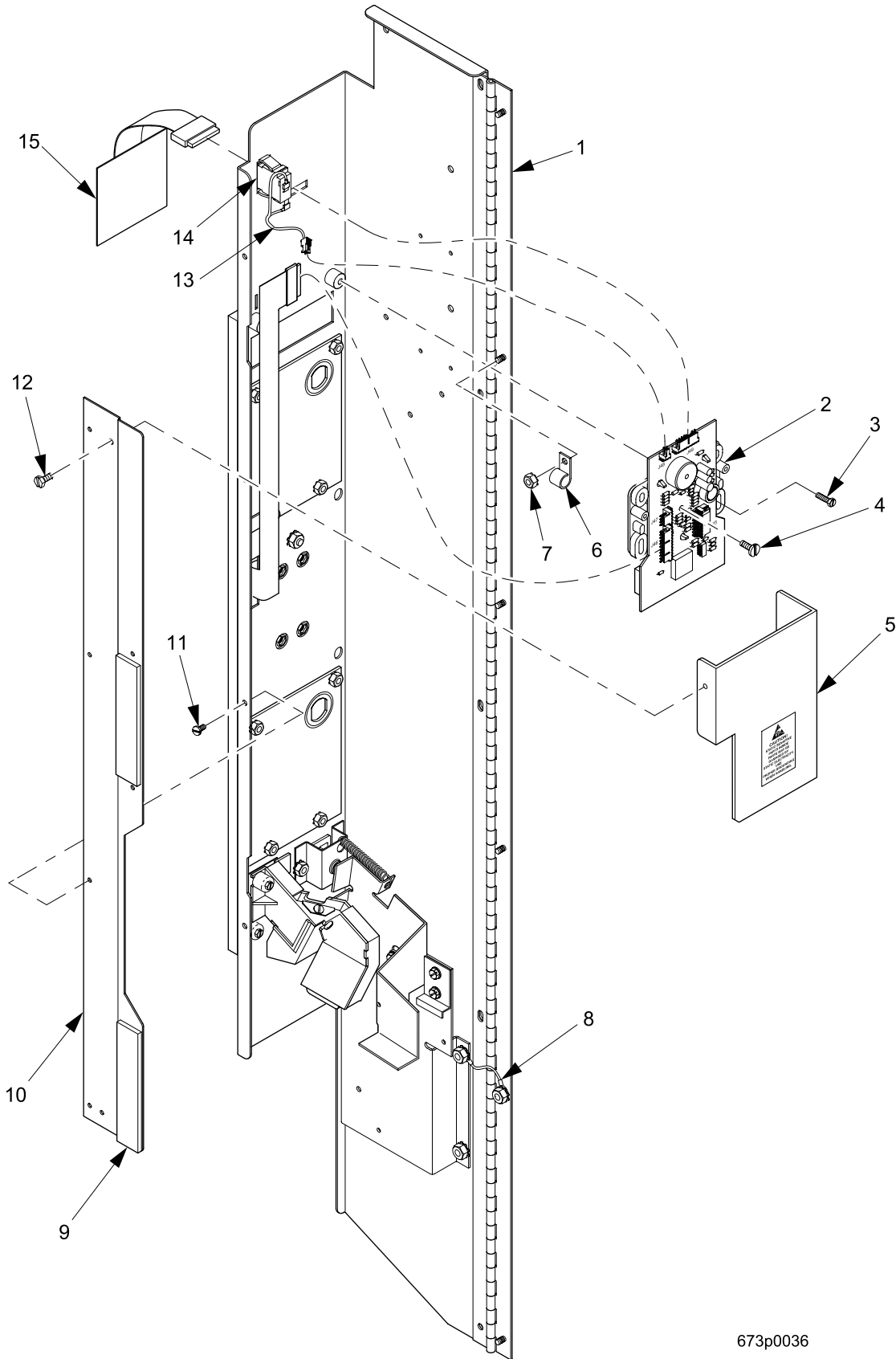


FIGURE 69: INTERIOR MONETARY DOOR (PART 1 OF 3)

TABLE 69: INTERIOR MONETARY DOOR (PART 1 OF 3)

INDEX	PART NUMBER	DESCRIPTION	QTY
1	1575094	PANEL WELD ASSEMBLY - MONETARY. - NV BLACK	1
2	1575091	PLATE - SELECT SWITCH - BACKUP - W	1
3	1475089	1/8 NUT - SELF - THREADING	4
4	9900081	NUT #8-32 KEPS ZINC PLATE	--
5	1475026	BUTTON - COIN RETURN	1
6	1475072	SHAFT - RETURN BUTTON	1
7	1127808	SPRING - SHELF RESET	1
8	1571079	BRACKET - COIN RETURN BUTTON	1
9	1571078	BRACKET - COIN MECHANISM	1
10	6231037	CLAMP - CABLE	1
11	9900106	SCREW #8-32 X 3/8 ACORN HEX HD	--
12	2204093	WASHER - SCAVENGER BAR	1
13	1571113	ARM - SCAVENGER	1
14	4747171	SCREW - #6-19 X .38 PHIL.PHS - T/C	--
15	2302053	SPACER - CUP	4
16	1575003	COIN CHUTE ASSEMBLY	1
17	1671041	COIN BLOCK - 50 CENTS	1
18	2228011	SPACER - RELEASE ARM	2
19	1472223	COIN INSERT	1
20	9445004	PANEL - SELECTION - MONETARY	1
21	1472251	LENS - PUSH BUTTON	12
22	1575058	LETTER SHEET - SELECT SWITCH	1
23	7215019	MEMBRANE SWITCH ASSEMBLY - SELECT	1



673p0036

FIGURE 70: INTERIOR MONETARY DOOR (PART 2 OF 3)

TABLE 70: INTERIOR MONETARY DOOR (PART 2 OF 3)

INDEX	PART NUMBER	DESCRIPTION	QTY
1	1575094	PANEL WELD ASSEMBLY - MONETARY - NV BLACK	1
2	9989823	DISPLAY W/BRACKET ASSEMBLY	1
3	4747171	SCREW - #6-19 X .38 PHIL.PHS - T/C	--
4	9900203	SCREW #6-20 X 3/8 PHS T/C	--
5	1575029	COVER - DISPLAY	1
6	1452139	RETAINER - HARNESS	2
7	9900081	NUT #8-32 KEPS ZINC PLATE	--
8	1475119	JUMPER - GROUND WIRE	1
9	1575112	MAGNET MOUNTING PLATE - CASHCODE	1
10	1575111	PLATE - MAGNET MOUNTING	1
11	4245186	SCREW - #8 32 X 1/4 PHS - T/F	--
12	9900106	SCREW #8-32 X 3/8 ACORN HEX HD	--
13	1579009	JUMPER - MONETARY DOOR SWITCH	1
14	1401110	SWITCH	1
15	6335002	SERVICE KEYPAD ASSEMBLY	1

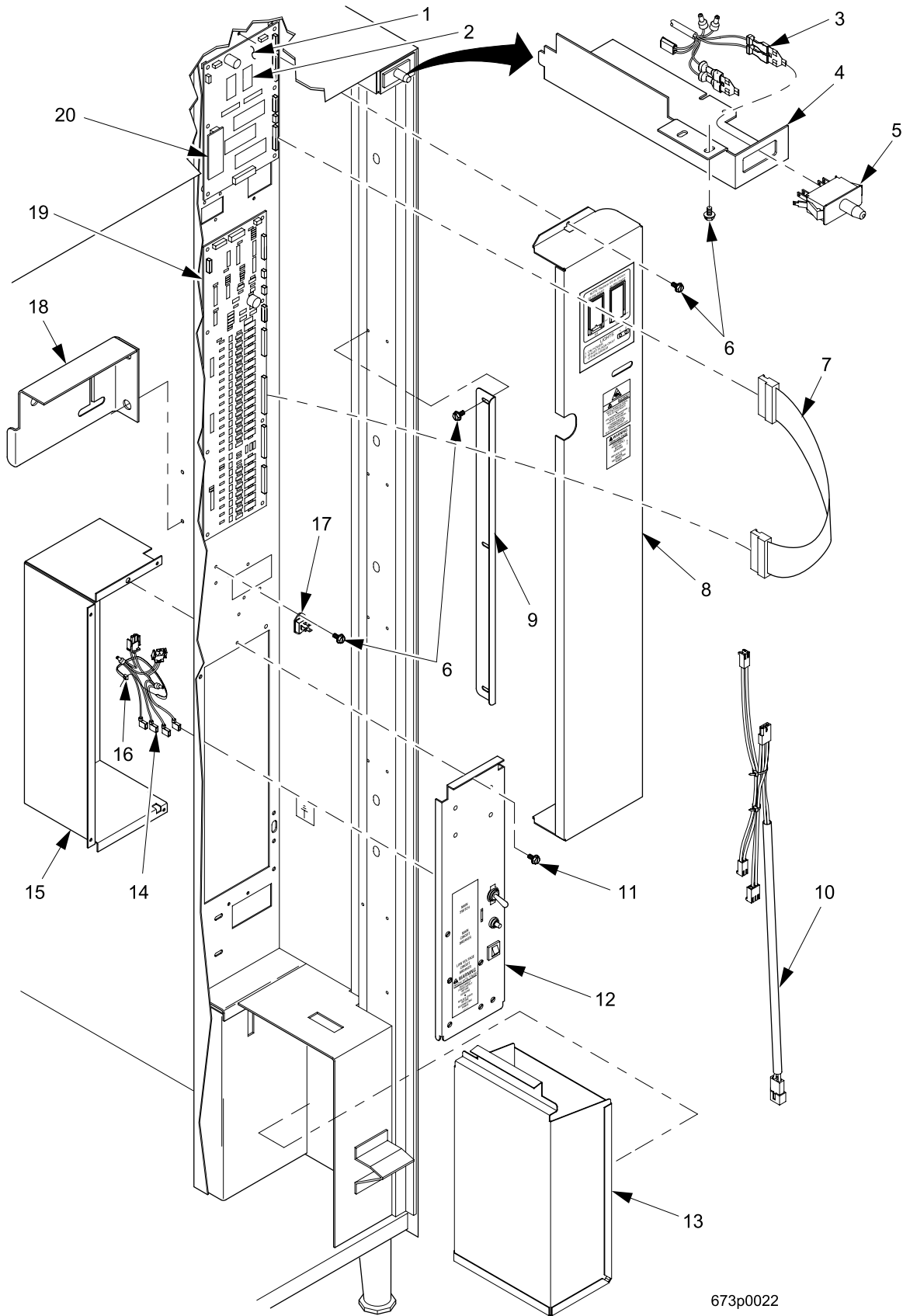
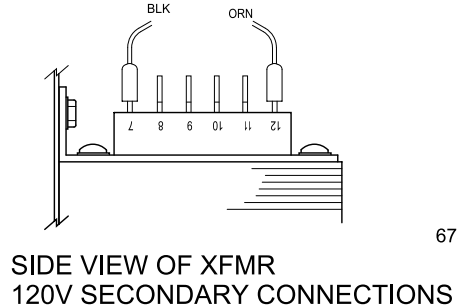
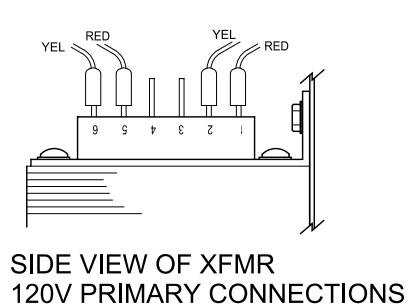
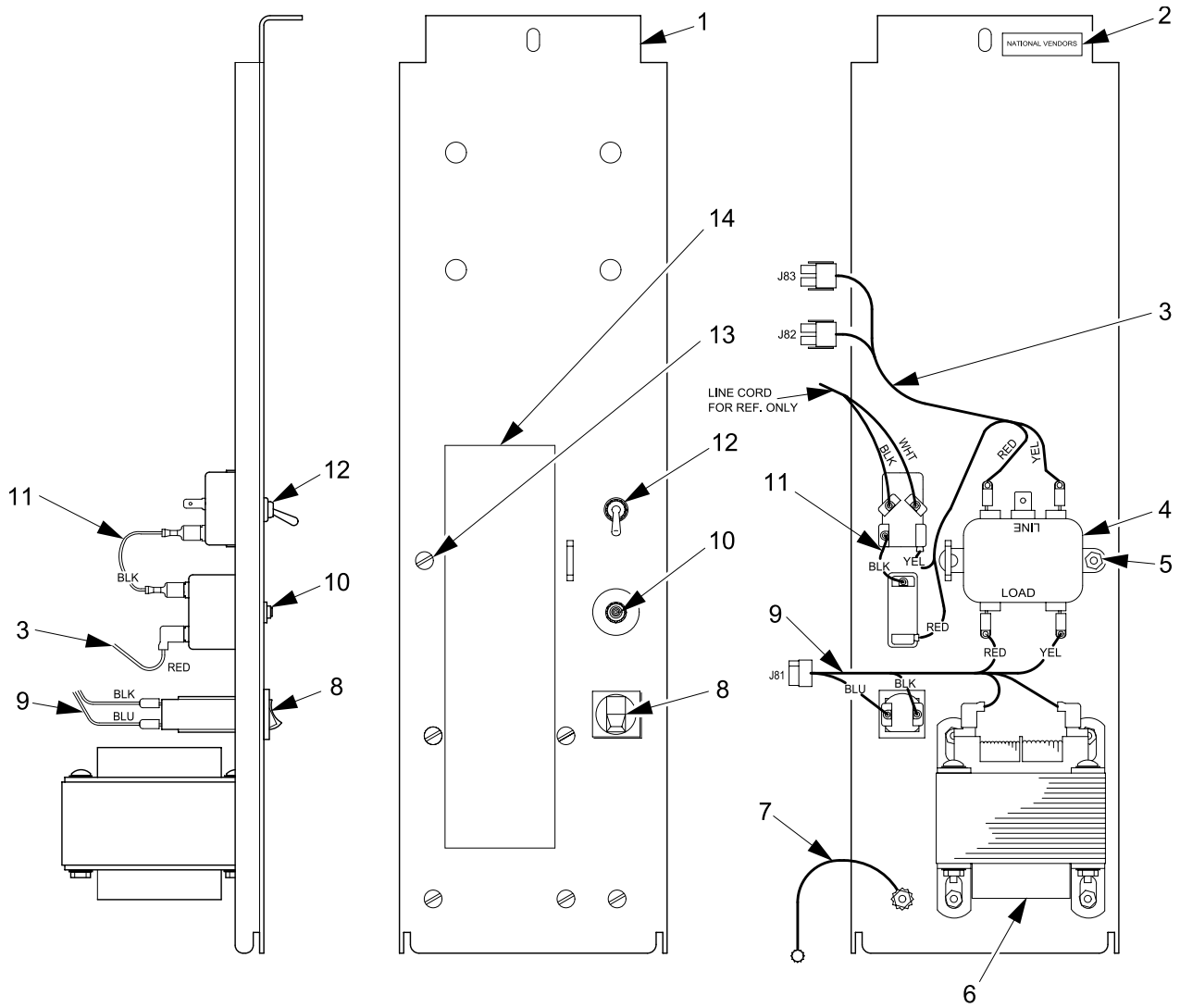


FIGURE 71: INTERIOR MONETARY DOOR (PART 3 OF 3)

673p0022

TABLE 71: INTERIOR MONETARY DOOR (PART 3 OF 3)

INDEX	PART NUMBER	DESCRIPTION	QTY
1	9446000	EPROM - MAIN CONTROLLER	1
	9989859	PCB ASSEMBLY - MAIN CONTROLLER	1
2	9985248	LABEL - UNPRTD - SLFADH DAT57637-10	1
3	9980332	IC-1 MBIT FLASH MEMORY - AMD	1
	1579010	JUMPER - INTERLOCK - DOMESTIC	1
4	1571021	BRACKET - SWITCH INTERLOCK	1
5	1211141	SWITCH	1
6	1451097	SCREW - #8-32X.31 HEX HD.TF - BLK.	--
7	1599200	HARNESS - CONTROL TO DISPLAY	1
8	1571112	COVER - CONT./INTERFACE PCB	1
9	1571022	STOP - MONETARY PANEL	1
10	9989750	HARNESS - 24 VAC PCB & COIN POWER	1
11	1451097	SCREW - #8-32X.31 HEX HD.TF - BLACK	--
12	3281092	POWER ASSEMBLY - DOMESTIC - 20A	1
13	1671090	COIN BOX	1
14	6739021	HARNESS - POWER PANEL	1
15	1671022	HOUSING - POWER PANEL	1
16	3114114	WIRE TIE RICHCO#BT - 10-10 - BL	1
17	9983778	TRIAC - 35A - 600V	1
18	6231143	BRACKET - POWER PANEL RETAINER	1
19	6736010	PCB ASSEMBLY - HOT DRINK INTERFACE (DRIVER BOARD)	1
20	P6736008	IC ASSY-VERSION 673.05	1

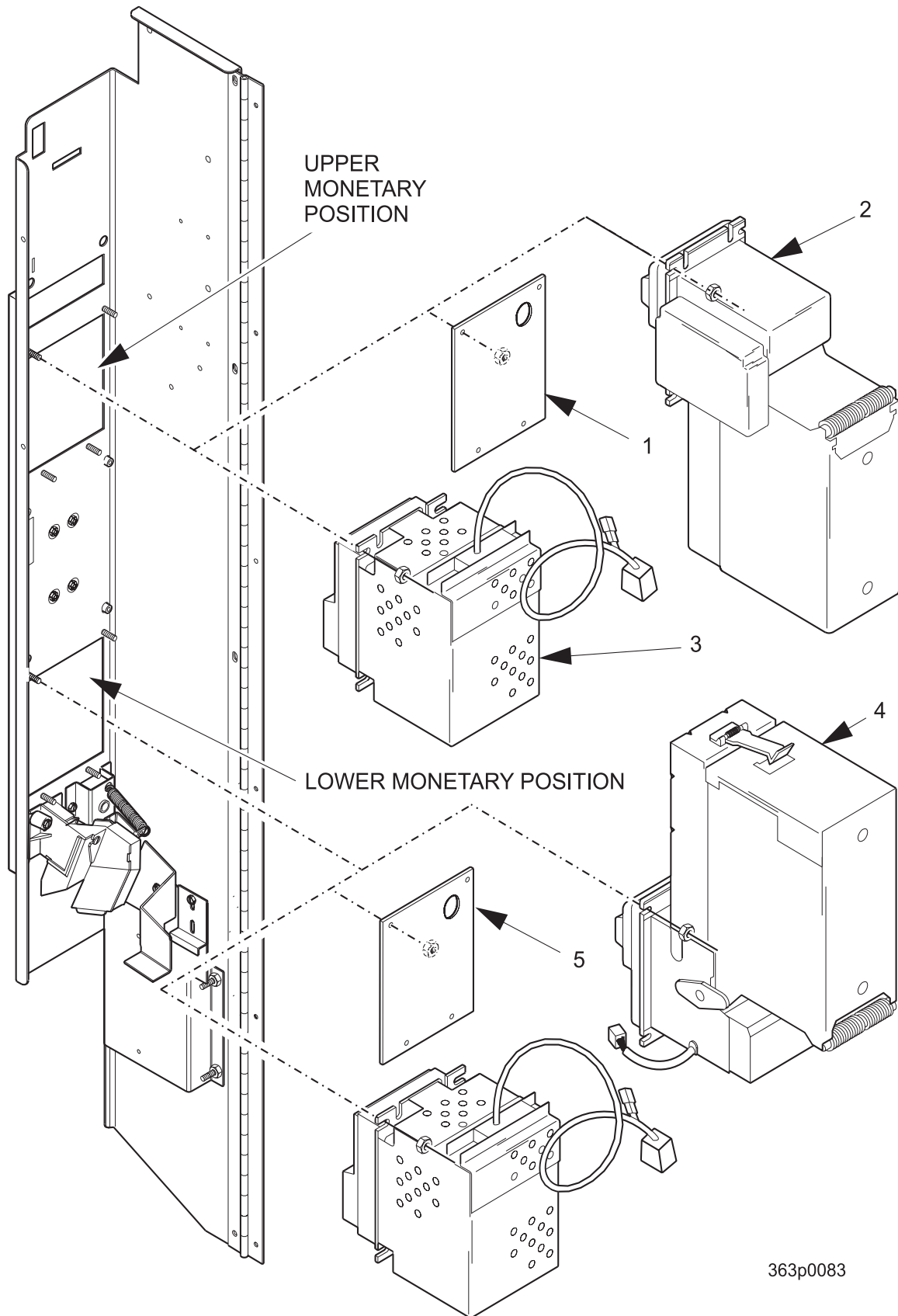


673p0024

FIGURE 72: POWER PANEL ASSEMBLY - 20A

TABLE 72: POWER PANEL ASSEMBLY - 20A

INDEX	PART NUMBER	DESCRIPTION	QTY
1	1701037	PLATE - HOUSING - PANEL (CP7-7)	1
2	9989369	LABEL - N.V. BLANK	1
3	6739021	HARNESS - POWER PANEL	1
4	9989100	INTERFERENCE FILTER	1
5	9900081	NUT #8-32 KEPS ZINC PLATE	--
6	9989046	24V XFMR - DUAL PIR. - .187 TERM.	1
7	9984094	WIRE - GROUND - 14"	1
8	9989674	CIRCUIT BREAKER - 4 AMP	1
9	1709001	JUMPER - TRANSFORMER - 120V - PRM.	1
10	9989673	CIRCUIT BREAKER - 20A	1
11	1709006	JUMPER - MAIN SWITCH TO BREAKER	1
12	9984629	SWITCH - TOGGLE - DPST - 20AMP	1
13	1211110	8-32X1/4 RHS MACH SCR ZP	1
14	4311117	LABEL - POWER CONTROL PANEL - ENGLISH	1



363p0083

FIGURE 73: MONETARY - DEBIT CARD READERS AND BILL VALIDATORS

TABLE 73A: MONETARY - DEBIT CARD READERS AND BILL VALIDATORS

INDEX	PART NUMBER	DESCRIPTION	QTY
1	--	DOWNSTACK BILL VALIDATOR	--
2	1575048	PLATE - INSERT BACKING	1
3	9900081	NUT #8-32 KEPS ZINC PLATE	--
4	--	DEBIT CARD READER	
5	--	UPSTACK BILL VALIDATOR	

TABLE 73B: MONETARY LOCATION OPTIONS

MONETARY CAPABILITY	MONETARY PANEL LOCATION		WITH COIN?
	UPPER	LOWER	
COIN - VAL - CARD	CARD READER	UPSTACK VALIDATOR	YES
COIN - VAL - CARD	DOWNSTACK VALIDATOR	CARD READER	YES
COIN - VAL	INSERT INSTRUCTIONS BACK-UP PLATE (1575048)	UPSTACK VALIDATOR	YES
COIN - VAL	DOWNSTACK VALIDATOR	INSERT INSTRUCTIONS BACK-UP PLATE (1575048)	YES
COIN - CARD	INSERT INSTRUCTIONS BACK-UP PLATE (1575048)	CARD READER	YES
COIN - CARD	CARD READER	INSERT INSTRUCTIONS BACK-UP PLATE (1575048)	YES
VAL - CARD	DOWNSTACK VALIDATOR	CARD READER	NO
VAL - CARD	CARD READER	DOWNSTACK VALIDATOR	NO
COIN ONLY	INSERT INSTRUCTIONS BACK-UP PLATE (1575048)	INSERT INSTRUCTIONS BACK-UP PLATE (1575048)	YES
VAL ONLY	INSERT INSTRUCTIONS BACK-UP PLATE (1575048)	UPSTACK VALIDATOR	NO
VAL ONLY	DOWNSTACK VALIDATOR	INSERT INSTRUCTIONS BACK-UP PLATE (1575048)	NO
CARD ONLY	CARD READER	INSERT INSTRUCTIONS BACK-UP PLATE (1575048)	NO
CARD ONLY	INSERT INSTRUCTIONS BACK-UP PLATE (1575048)	CARD READER	NO

**Note: All items are secured with four nuts (P/N 9900081).
Shaded items represent alternate configurations.**

TABLE 73C: CARD READER OPTIONS

PART NUMBER	DESCRIPTION
1475107	DEBITEK # VIS - MM - NAT SYSTEM III
1575050	BRACKET - DEBITEK CONTROLLER (NO COIN OPTION)
1575052	BRACKET - DEBITEK CONTROLLER (WITH COIN OPTION)

TABLE 73D: BILL VALIDATOR OPTIONS

PART NUMBER	DESCRIPTION	HARNESS PART NUMBER
5900198	VALIDATOR - MARS - S2000 - VN2311 - U5E	1579005
3152444	VALIDATOR - MARS - VFM1 - S1 - U4C - CNSMT	
5900193	VALIDATOR - MARS - S2000 - VN2511 - U5E - CN	1579028
3152391	VALIDATOR - MARS VFM3 - S1 - U4C - CNSMT5	
5900248	VALIDATOR - MARS AE 2611 - U5E SERIAL	
5900205	VALIDATOR - MARS - VN2512 - U5E - 24V	
1475053	VALIDATOR - MAKA - NB - 1KB - 400 WITH MASK ÌKÎ INSTALLED	1579006
5900247	VALIDATOR - MARS AE 2612 - U5M - MDB	--
5900210	VALIDATOR - MARS - VN2512 - USM/500 - MDB	--
5900234	VALIDATOR - COINLUX - 2162 - 24V - 300	1579050
5900283	VALIDATOR - COINCO - MAGPRO - 32R	--
5900284	VALIDATOR - COINCO - MAGPRO - 30SA	1579034
5900285	VALIDATOR - COINCO - MAGPRO - 32SA	
5900287	VALIDATOR - COINCO - MAGPRO - MAG50SA	
5900182	VALIDATOR - COINCO - BA 30SA	
5900290	VALIDATOR - COINCO MAGPRO 52R	

TABLE 73E: COIN MECHANISM OPTIONS

PART NUMBER	DESCRIPTION
5900116	MARS TRC6000 COIN UNIT
5307321	COINTRON 3000 - US COIN VAL
6400002	COIN CHANGER - MARS #TRC 6010XV
6000003	COIN CHANGER - COINCO # 9302LF-24
5900213	COIN UNIT - COINCO - 9302 - GX - MDB
5900209	COIN UNIT - CONLUX - USLZ - 001 - MDB
5900214	COIN UNIT - MARS - VN 4510 - MDB
5900216	COIN UNIT - MARS - VN 4000, 110V
5900217	COIN UNIT - MARS - VN 4010 XV - 24V
5900192	COIN UNIT - CONLUX - USLX 00401F

TABLE 74: BAG ASSEMBLY

PART NUMBER	DESCRIPTION
WD673004	WD-HOT BEVERAGE-115V/230V
1300018	BAG PLASTIC
6230007	FEATURE EXPLANATION SHEET
6230066	LABEL-SAVE5¢USINGMUG-DOM
6230067	LABEL-"ALWAYS GOOD VALUE"
6232061	LABEL-MUG OPTION
6232062	LABEL-WINNERS MODE
6232080	LABEL-PRICE,CUP SIZE,BLNK
6232086	LABEL-SELECTION-BLANK
6232087	LABEL-5¢ TO 15¢/\$1.05 TO
6232088	LABEL-1/2 COVERUP-LABEL-IN
6237117	REMOVAL TOOL-IMPELLER
6552029	INSERT-BLANK-1.52
6730013	SET UP GUIDE-HDC
6730018	PROGRAMMING GUIDE-H.D.C.
6732066	LABEL-CUP SIZE-12/20 OZ
6732067	INSERT-INSTRUCTIONS/CUP SI
6732068	INSERT-PREMIUM BLEND COFFE
6732069	INSERT-COFFEE-B
6732070	INSERT-DECAF COFFEE-F
6732071	INSERT-CAFE MOCHA-E

TABLE 74: BAG ASSEMBLY

PART NUMBER	DESCRIPTION
6732072	INSERT-GOURMET COFFEE-C
6732073	INSERT-HOT CHOCOLATE-G
6732074	INSERT-GOURMET COFFEE-H
6732075	INSERT-AMERICANO-D
6732076	INSERT-CAFFE LATTE-1D
6732077	INSERT-GOURMET COFFEE-X
6732078	INSERT-EUROPEAN CAPPUCCINO
6732079	INSERT-BLENDED W/COND.-Y
6732080	INSERT-BLENDED W/COND.-Z
6732081	INSERT-BLENDED-Y
6732082	INSERT-BLENDED-Z
6732083	LABEL-DRINK FLAVORS #1
6732084	LABEL-DRINK FLAVORS #2
6739017	LIST-HARNESS

TABLE 75A: WIRING DIAGRAM - HOT BEVERAGE 115/230 VOLT

INDEX	PART NUMBER	DESCRIPTION	QTY
1	9989659	PCB ASSEMBLY - DUMB MECH POWR SUPPLY	1
2	9989687	PCB ASSEMBLY - EXECUTIVE INTERFACE	1
3	9989755	PCB ASSEMBLY - MAIN CONTROLLER	1
4	9989685	PCB ASSEMBLY - DISPLAY	1
5	3286019	PCB ASSEMBLY - IR SENSOR INTERFACE	1
6	6736001	PCB ASSEMBLY - HOT DRINK INTERFACE	1

TABLE 75B: J CONNECTIONS

J#	PART NUMBER	DESCRIPTION
J2	6559011	HARNESS - SUREVEND
J27	6739005	HARNESS - BREWER SWITCH
J28	6739005	HARNESS - BREWER SWITCH
J29	6739005	HARNESS - BREWER SWITCH
J30	1579008	HARNESS - RIBBON
J31	6339009	HARNESS - FLOAT TEMP
J33	6339017	CABLE DISPLAY
J34	6559010	HARNESS - SUREVEND
J35	1679056	HARNESS - DEX
J36	1679054	HARNESS - MDB COIN
J37	9989750	HARNESS - 24VAC
J38	9989750	HARNESS - 24VAC
J40	9989687	EXECUTIVE INTERFACE
J41	9989687	EXECUTIVE INTERFACE
J45	6339017	CABLE DISPLAY
J46	7215019	CUSTOMER KEY PAD
J47	9989639	FREEVEND KEY SWITCH
J48	1579009	DOOR SWITCH
J49	6335002	SERVICE KEY PAD
J55	6739005	HARNESS - BREWER SWITCHES
J56	1579008	HARNESS - RIBBON
J57	6739005	HARNESS - BREWER SWITCHES
J58	6559001	HARNESS - CABINET DC
J59	6559001	HARNESS - CABINET DC
J60	9989750	HARNESS - 24VAC
J61	6559008	HARNESS - WHIPPERS
J62	6739012	HARNESS - BREW & GRD

TABLE 75B: J CONNECTIONS

J#	PART NUMBER	DESCRIPTION
J63	6739011	HARNESS AUGERS
J64	6339004	HARNESS - CABINET AC
J65	6559016	HARNESS - AC TANK - 1750 WATT
J68A	6739005	HARNESS - BREWER SWITCHES
J69A	6739005	HARNESS - BREWER SWITCHES
J70A	6739005	HARNESS - BREWER SWITCHES
J71	6739012	HARNESS - BREW & GRDE
J80	9989750	HARNESS - 24VAC
J81	9989750	HARNESS - 24VAC
J82	6739010	HARNESS - POWER PANEL
J83	6739010	HARNESS - POWER PANEL
J84	6339021	HARNESS - FLOAT SWITCH
J85	6739055	HARNESS - BREWER SWITCH
J88	6239026	HARNESS - AUTO DOOR
J89	6239026	HARNESS - AUTO DOOR
J90	6339004	HARNESS - CABINET AC
J92	9989750	HARNESS - 24VAC
J94	6739010	HARNESS - POWER PANEL
J95	6739010	HARNESS - POWER PANEL
J96	6739010	HARNESS - POWER PANEL
J97	6739010	HARNESS - POWER PANEL
J100	1579009	HARNESS - DOOR SWITCH
J101	1579009	HARNESS - DUMB MECH
J102	1579009	HARNESS - DUMB MECH
J106	6369005	STIR STICK SOLENOID
J109	6559001	HARNESS - CAB DC
J109A	6739006	JUMPER - CUP MECHS
J109B	6739006	JUMPER - CUP MECHS
J139	6559009	HARNESS - MUG SENSOR
J140	6559001	HARNESS - CABINET DC
J141	6559016	HARNESS - AC TANK - 1750 WATT
J145	6559001	HARNESS - CABINET DC
J147	6559009	HARNESS - MUG SENSOR
J151	1679050	HARNESS - EXECUTIVE COIN
J158	6739012	HARNESS - BREW & GRD
J159	6739012	HARNESS - BREW & GRD
J176	6739016	HARNESS - AC TANK - 1750 WATT
J177	6739012	HARNESS - BREW & GRD

TABLE 75B: J CONNECTIONS

J#	PART NUMBER	DESCRIPTION
J184A	6559007	HARNESS - HDC AC2
J184B	6559007	HARNESS - HDC AC2
J185	6339004	CABINET - AC1
J188	6739016	HARNESS - AC TANK - 1750 WATT
J190	6739016	HARNESS - AC TANK - 1750 - WATT
J191	6739016	HARNESS - AC TANK - 1750 - WATT
J195	6559007	HARNESS - HDC AC2
J198	6739021	HARNESS - FLOAT SW.
J200	6559016	HARNESS - AC TANK - 1750 WATT
J248	6809010	JUMPER - FILTER TO BREW MTR
J249	6809010	JUMPER - FILTER TO BREW MTR
J284	6739021	HARNESS - FLOAT SW.
NA	9429000	HARNESS - BALLAST - 13W LIGHTS
NA	9429001	HARNESS - BALLAST - 8W LIGHTS
NA	9429002	HARNESS - FLUORESCENT LIGHT SHORT
NA	9429003	HARNESS - FILTER TO BALLASTS
NA	9429004	HARNESS - PWR TO FILTER
NA	9429005	HARNESS - FLUORESCENT LIGHT LONG
NA	9429006	HARNESS - MINI GRINDER JUMPER

Catoria Parts Manual

Part Number Index

Part Number	Page	Part Number	Page	Part Number	Page
1127808	139	1575035	137	3108141	37, 39
1141054	25, 27, 29	1575044	137	3112163	13
1170206	47, 99	1575048	137, 147	3112164	13
1172021	45, 53	1575050	148	3114114	143
1211105	43	1575052	148	3116127	49
1211110	145	1575058	139	3118011	113
1211112	45	1575091	139	3118035	53
1211141	143	1575094	137, 139, 141	3121150	49
1211161	55, 117	1575106	3	3142138	5
1212159	115	1575111	141	3143009	31
1217159	39, 49, 117	1575112	141	3143011	31
1217160	39, 49, 117	1577008	123	3152045	3
1300018	149	1577038	25, 27, 29, 39	3152391	148
1401110	137, 141	1579005	148	3152444	148
1437204	7, 109	1579006	148	3154059	57, 59, 61, 63
1451097	5, 7, 19, 23, 25, 27, 29, 33, 37, 39, 53, 55, 57, 59, 61, 67, 69, 73, 75, 81, 99, 105, 109, 111, 115, 117, 135, 143	1579008	152	3156015	65
1452139	7, 39, 47, 53, 141	1579009	141, 152, 153	3156032	47
1457027	25, 27, 29, 39, 117	1579010	143	3157060	47, 65, 105, 111, 115
1471054	107	1579028	148	3157068	47
1471098	45	1579034	148	3158023	59
1471237	45	1579050	148	3158061	57, 59, 61, 63
1472132	11	1599200	143	3281074	99
1472223	139	1602084	47	3281084	103
1472251	139	1671022	143	3281085	99, 105
1475026	139	1671041	139	3281092	143
1475053	148	1671090	143	3282005	19
1475072	139	1675006	137	3283002	23
1475089	139	1679005	47	3283004	23
1475107	148	1679050	153	3283013	23
1475119	77, 141	1679054	152	3283014	19
1477020	39	1679056	152	3283018	19
1477113	39	1701037	145	3283031	23
1571021	143	1709001	145	3283032	23
1571022	143	1709006	145	3283053	103
1571078	139	2204093	139	3283054	103
1571079	139	2204513	109	3283055	103
1571112	143	2222031	37, 39	3283058	25, 27, 29
1571113	139	2222095	47	3283069	23
1571115	45	2222096	47	3286019	152
1572013	137	2228011	139	3502097	109
1572242	121, 123	2272036	47	3631171	67, 69, 73, 75
1575003	139	2301057	25, 27, 29, 35	3633007	21
1575012	137	2302053	7, 21, 139	3633008	21, 23
1575029	141	2302223	67, 69, 71, 73, 75	3633010	21
		2346016	47	3633011	21
		3102447	21, 23, 77, 99	3633014	25
		3103133	101, 103	3633015	25
		3106154	47	3633031	21
		3107171	47	3633032	21
		3108048	63		

Part Number Index

Cafforia Parts Manual

Part Number	Page	Part Number	Page	Part Number	Page
3639011.....	25	6118071.....	59	6231529.....	41
4027053.....	117	6124073.....	55	6231533.....	105
4041102.....	99	6131066.....	23	6231544.....	101
4041241.....	25, 27, 29, 35	6133157.....	127	6231545.....	101, 103
4047012.....	121, 123, 127	6134042.....	121, 123, 127	6231553.....	109
4047054.....	49	6134160.....	127	6231559.....	47
4047061.....	127	6137157.....	67, 69, 71, 73, 75	6232028.....	43
4245186.....	141	6138181.....	19, 21, 23	6232031.....	43
4247204.....	99	6138183.....	55	6232036.....	43
4254012.....	67, 69, 71, 73, 75	6138287.....	55	6232061.....	149
4277042.....	121, 123	6151131.....	49	6232062.....	149
4302134.....	117	6158007.....	53	6232080.....	149
4305043.....	111	6158063.....	53	6232084.....	37, 39
4311068.....	45	6201025.....	41	6232085.....	37, 39
4311117.....	145	6230007.....	149	6232086.....	149
4312210.....	109	6230066.....	149	6232087.....	149
4402043.....	65	6230067.....	149	6232088.....	149
4711020.....	99	6231033.....	71, 99	6232089.....	37, 39
4732024.....	73	6231034.....	45	6232091.....	37, 39
4733035.....	25, 27, 29	6231035.....	53	6232096.....	37, 39
4741050.....	67, 69, 71, 73 75, 113	6231036.....	51	6232118.....	17
4747171.....	123, 125, 139, 141	6231037.....	139	6232208.....	43
4751060.....	53	6231135.....	49	6232263.....	39
5307321.....	149	6231142.....	57, 59, 61	6232305.....	47
5900116.....	149	6231143.....	143	6232317.....	37, 39
5900182.....	148	6231163.....	45	6233009.....	33
5900192.....	149	6231164.....	5	6233010.....	25, 27, 29
5900193.....	148	6231188.....	65	6233012.....	25, 27, 29
5900198.....	148	6231189.....	65	6233013.....	25, 27, 29
5900205.....	148	6231203.....	45	6233014.....	25, 27, 29
5900209.....	149	6231223.....	105	6233016.....	29
5900210.....	148	6231372.....	51	6233018.....	27, 29, 35
5900213.....	149	6231411.....	101	6233019.....	27, 29
5900214.....	149	6231413.....	101	6233021.....	25, 27, 29, 35
5900216.....	149	6231430.....	101, 103	6233028.....	25, 27, 29, 35
5900217.....	149	6231431.....	101, 103	6233031.....	33
5900234.....	148	6231432.....	101, 103	6233032.....	27, 29, 33
5900247.....	148	6231438.....	101	6233037.....	25, 27, 29, 35
5900248.....	148	6231439.....	101	6233040.....	33
5900283.....	148	6231443.....	101, 103	6233048.....	21, 23
5900284.....	148	6231475.....	41	6233056.....	25, 27, 29
5900285.....	148	6231488.....	101, 103	6233057.....	35
5900287.....	148	6231489.....	101, 103	6233062.....	25, 27, 29
5900290.....	148	6231492.....	101, 103	6233065.....	27, 29
6000003.....	149	6231495.....	101, 103	6233077.....	23, 27, 29
6104220.....	127	6231501.....	63	6233082.....	29
6106021.....	117	6231503.....	63	6233095.....	21
6114121.....	21, 31	6231507.....	49	6233101.....	29
6117010.....	99	6231526.....	41	6233105.....	25, 27, 29
		6231528.....	41	6233106.....	25, 27, 29

Catoria Parts Manual

Part Number Index

Part Number	Page	Part Number	Page	Part Number	Page
6233107	25, 27, 29	6237303	67, 69, 73, 75	6337023	79, 95
6233126	31	6237306	67, 69, 73, 75, 131, 133	6337024	93
6233127	31	6237313	133	6337025	95
6234106	37, 39	6237314	67, 69, 73, 75	6337030	93, 95
6234279	39, 117	6237315	67, 69, 71, 73, 75	6337032	93, 95
6234295	55	6237335	67, 69, 71, 73, 75	6337044	67, 69, 71, 73, 75
6234516	107	6237336	67, 69, 71, 73, 75	6337049	67, 69, 71, 73, 75
6234603	121	6237340	109	6337057	67, 69, 71, 73, 75, 105
6234620	121	6237342	109	6337058	99
6234628	31	6237347	67, 69, 73, 75	6337076	131
6237008	89	6237356	77, 99	6337078	131
6237014	83, 85, 87, 89, 91, 93, 95	6237436	77	6337079	131
6237020	93, 95	6237438	77	6337082	67, 69, 71, 73, 75
6237023	83, 85, 87, 89, 91	6237439	83	6337085	131
6237046	87	6237446	79, 81, 87	6337093	67, 69, 75
6237049	55	6238068	55	6337109	73, 75
6237053	83, 85, 87, 89, 91	6238070	55, 113	6337110	67, 69
6237063	89, 93, 95	6238074	51	6338015	61
6237066	93	6238075	53	6338016	59, 61
6237069	95	6238084	55	6338017	63
6237074	77	6238090	53	6338021	53, 67, 69, 73, 75
6237075	77	6238104	53	6338027	57
6237076	77	6238112	53	6338046	53
6237077	77	6238113	51	6338047	55
6237078	77	6238136	53	6338049	55
6237095	93, 95	6238137	53	6338050	55
6237106	87	6238166	57, 59, 61, 63	6338053	51
6237110	131	6239026	39, 153	6338054	51
6237111	131	6239048	29	6338058	51
6237115	67, 69, 71, 73, 75	6262021	19	6338059	53
6237116	83, 85, 87, 89, 91, 93, 95	6263002	23	6338060	53
6237117	149	6263003	27	6339000	41
6237119	131	6269013	27	6339004	153, 154
6237157	131	6331009	105	6339009	152
6237165	77	6332052	31	6339017	152
6237167	83, 85, 87, 89, 91	6333004	31	6339021	55, 153
6237170	77, 99	6333005	31	6341007	105
6237171	77	6333006	31	6342202	5
6237174	99	6333007	31	6351005	105
6237176	87, 89, 91	6333008	25, 27, 29, 31	6361040	65
6237177	83, 85	6333009	31	6361041	65
6237179	87	6333010	31	6361042	65
6237181	83, 85, 87, 89, 91	6333011	31	6361051	105
6237192	131	6333012	31	6367018	79, 81
6237193	131	6335002	137, 141, 152	6369000	65
6237194	131	6337020	83, 85, 87, 89, 91, 93, 95	6369005	153
6237195	67, 69, 71, 73, 75	6337021	93, 95	6400002	149
6237301	67, 69, 71, 73, 75	6337022	79, 93	6404004	121, 123
				6404009	117

Part Number Index

Cafforia Parts Manual

Part Number	Page	Part Number	Page	Part Number	Page
6404013.....	127	6537022.....	79, 81, 91	6732069.....	149
6404015.....	127	6537024.....	79, 81, 83, 85	6732070.....	149
6404017.....	127	6537025.....	89	6732071.....	149
6404019.....	127	6537026.....	21, 23, 83, 85, 93, 95	6732072.....	150
6404022.....	121, 123	6537027.....	91	6732073.....	150
6404023.....	121, 123	6537030.....	67, 69, 71, 73, 75, 81, 131, 133	6732074.....	150
6404024.....	121			6732075.....	150
6404025.....	121			6732076.....	150
6404026.....	121			6732077.....	150
6404027.....	121, 129	6537031.....	67	6732078.....	150
6404030.....	129	6538000.....	53	6732079.....	150
6404031.....	121, 123	6551004.....	71	6732080.....	150
6404033.....	127	6551005.....	69, 71	6732081.....	150
6404034.....	25, 27, 29, 127	6552029.....	149	6732082.....	150
6404035.....	127	6558009.....	53	6732083.....	150
6404036.....	127	6559001.....	25, 152, 153	6732084.....	150
6404043.....	113	6559007.....	154	6732204.....	43
6404060.....	113	6559008.....	152	6733001.....	25
6404061.....	113	6559009.....	153	6733002.....	25
6404067.....	117, 121, 129	6559010.....	152	6733003.....	25
6404070.....	121	6559011.....	152	6733005.....	19, 25
6404073.....	127	6559016.....	153, 154	6733006.....	19
6404074.....	127	6722024.....	37, 39	6734003.....	117
6404090.....	121	6723007.....	21, 23	6734004.....	117
6404095.....	129	6730013.....	149	6734005.....	113
6404096.....	129	6730018.....	149	6734006.....	117
6404098.....	129	6731007.....	67, 69, 73, 75, 99	6734009.....	115
6404107.....	121, 129	6731008.....	107	6734011.....	117
6404108.....	121, 129	6731025.....	105	6734012.....	77
6404112.....	107, 111	6731030.....	103	6734013.....	119
6404113.....	121	6731036.....	77	6734014.....	69, 119
6404114.....	121	6731037.....	43	6734015.....	113
6408028.....	57	6731044.....	103	6734019.....	75, 119
6408113.....	61	6731045.....	103	6734020.....	119
6408114.....	61	6731046.....	41	6734021.....	119
6408115.....	61	6731047.....	105	6734022.....	119
6408117.....	57, 59, 61	6731055.....	99	6734024.....	107, 111
6408119.....	57, 59, 61, 63	6731056.....	69, 71, 73, 75, 133	6734031.....	125
6408134.....	59	6731057.....	67, 99, 133	6734032.....	125
6408154.....	53	6731061.....	99	6734033.....	125
6508006.....	53	6731066.....	109	6734034.....	125
6508033.....	55	6731067.....	105, 107	6734035.....	125
6537001.....	73, 75	6731069.....	109	6734036.....	125
6537013.....	83, 85, 91	6731081.....	79, 81	6734037.....	125
6537014.....	83, 85, 91	6732059.....	37, 39	6734038.....	125
6537017.....	91	6732060.....	37, 39	6734039.....	125
6537018.....	83, 85, 89	6732063.....	37, 39	6734040.....	125
6537019.....	67, 69, 71, 73, 75, 131	6732066.....	149	6734041.....	125
6537021.....	83, 85, 91	6732067.....	149	6734042.....	125
		6732068.....	149	6734043.....	125

Catoria Parts Manual**Part Number Index**

Part Number	Page	Part Number	Page	Part Number	Page
6734047	123	6738001	99	9422034	7
6734048	123	6738002	99	9422035	7
6734049	123	6738003	105	9422056	3
6734050	123	6738005	51, 53	9422057	3, 7
6734051	123	6738008	55	9422073	7
6734052	121	6738010	53	9422074	7
6734053	121, 123, 127	6739005	152, 153	9422075	5
6734054	127	6739006	153	9422076	5
6734055	127	6739010	153	9422077	5
6734056	127	6739011	153	9422078	5
6734057	121	6739012	152, 153	9422079	5, 7, 19, 37, 39
6734060	121, 123	6739015	53	9422081	5
6734061	123	6739017	150	9422082	5
6734065	111, 121	6739021	143, 145, 154	9422084	5
6734066	121	6739055	153	9422085	5
6734067	123	6774002	67, 119	9422086	5
6734068	123	6804055	115	9422087	5
6734072	115	6804061	121	9422089	5
6734073	121	6809010	154	9422090	5
6734074	121	6844001	113	9422093	3
6734076	121	6844006	115	9422096	5
6734077	121	6881040	117	9422097	3
6734078	121	6889000	117	9422098	7
6734080	69, 73, 75	7207027	61	9422101	7
6734083	67, 69, 73, 75	7215019	139, 152	9422102	7
6734084	69	7802067	11	9422103	7
6734085	67	9420000	7	9422106	19
6734086	67, 69, 73, 75	9420001	9	9422110	7
6734090	67	9420002	9	9425002	137
6734097	115	9420003	9	9429000	5, 154
6734100	121	9420004	9	9429001	5, 154
6734115	69, 133	9420005	9	9429002	5, 154
6734116	73, 75	9420006	9	9429003	5, 154
6734117	123	9420007	9	9429004	5, 154
6734118	123, 125	9420008	9	9429005	5, 154
6734120	107, 111	9420009	9	9429006	154
6734121	115	9420010	9	9445004	137, 139
6734122	107, 111	9420011	9	9447000	135
6734124	121, 123	9420012	9	9447001	135
6734125	121, 123	9420014	9	9447002	135
6734126	113	9422000	3, 13	9447004	97
6736000	143	9422002	11, 13	9447005	97
6736001	143, 152	9422005	11, 13	9447007	97
6737005	79, 81	9422006	3, 11, 13	9447008	97
6737008	133	9422010	137	9447009	81, 97
6737010	133	9422015	3	9447010	81, 133, 135
6737011	67, 69, 71, 73, 75	9422016	3	9447012	67, 81
6737017	83, 85	9422017	3	9900012	49
6737019	67, 69, 73, 75	9422018	3	9900034	25, 27, 29, 39
6737020	77	9422019	3	9900078	41

Part Number Index

Cafforia Parts Manual

<u>Part Number</u>	<u>Page</u>	<u>Part Number</u>	<u>Page</u>	<u>Part Number</u>	<u>Page</u>
9900081.....	21, 23, 37, 39, 47, 51, 53, 99, 137, 139, 141, 145, 147	9989673.....	145	A (cont'd)	
9900106.....	139, 141	9989674.....	145	AP300212.....	15
9900113.....	25	9989676.....	109	AP32183.....	135
9900121.....	25, 27, 29	9989685.....	152	AP32183-14.....	135
9900157.....	39, 77	9989687.....	152	AP32183-33.....	135
9900203.....	63, 141	9989750.....	143, 152, 153	AP32183-36.....	135
9900205.....	59	9989755.....	143, 152	AP36649.....	135
9900214.....	67, 69, 71, 73, 75	9989823.....	141	AP37840.....	135
9900218.....	45	9992400.....	13	AP380022-3.....	5
9900219.....	47	9994400.....	13	AP380303.....	5
9900415.....	83, 85, 87, 89, 91, 93, 95	A		AP38332-1.....	13
9900425.....	37, 39	AP09302.....	97	AP38458.....	97
9980332.....	143	AP118-10-12.....	11	AP38470.....	97
9983778.....	143	AP118-10-8.....	13	AP38501.....	97
9984094.....	47, 65, 145	AP12000348.....	15	AP400108.....	15
9984629.....	145	AP14400106.....	3	AP404-10.....	13
9984639.....	49	AP18443.....	15	AP438-10.....	11
9985248.....	143	AP216-41R8.....	5	AP438-8.....	7
9989046.....	145	AP22000378.....	97	AP440412.....	15
9989100.....	117, 145	AP23100035.....	97	P	
9989369.....	145	AP23100077.....	135	P6736008.....	143
9989639.....	137, 152	AP23100099.....	5, 7	W	
9989659.....	152	AP23100136.....	5, 7	WD673004.....	149
		AP24400028-01.....	97	WD9420000.....	151
		AP26800083.....	7		
		AP26900007.....	5		