

**SNACKSHOP II**

**SNACKSHOP II**

**SNACKSHOP II**

**instruction manual for**

**SNACKSHOP II**

**MODELS**

**425**

**430**

**435**

*Automatic* **PRODUCTS COMPANY**  
75 WEST PLATO BOULEVARD • ST. PAUL, MINNESOTA 55107

	PAGE
WARRANTY . . . . .	.ii
SPECIFICATIONS . . . . .	.ii
CAPACITY . . . . .	.1
UNPACKING . . . . .	.2
INSTALLATION . . . . .	2-7
COMPONENTS . . . . .	.7
1. Power Supply . . . . .	.7
2. Lighting System . . . . .	.7
3. Main Product Shelves . . . . .	.7
4. Main Product Selection Switches . . . . .	.7
5. Gum-And-Mint Selection Switches . . . . .	.7
6. Use Correct Change and Gum-And-Mint Empty Lamps. . . . .	.7
7. Delivery Bin . . . . .	.8
8. Coin Return . . . . .	.8
9. Coin Acceptance . . . . .	.8
10. Changer . . . . .	.8
11. Relay Boxes . . . . .	.8
12. Pricing Board . . . . .	.8
13. Gum-And-Mint Mechanism . . . . .	.9
14. Gum-And-Mint Motors . . . . .	.9
15. Gum-And-Mint Empty Switches . . . . .	.9
16. Sliding Panel Removal and Installation . . . . .	.9
17. Out of Service Lamp . . . . .	.9
OPTIONAL EQUIPMENT . . . . .	.10
1. Ventilating Blower . . . . .	.10
2. Unification Kits . . . . .	.10
3. Changers . . . . .	.10
4. Gum-And-Mint . . . . .	.10
5. Special Spirals . . . . .	.10
6. Soup Dispenser . . . . .	.10
CLEANING . . . . .	10-11
TROUBLESHOOTING . . . . .	.11
PARTS LIST	
1. Cabinet . . . . .	16-17
2. Delivery Bin . . . . .	.24
3. Door Front Panels and Stylings . . . . .	27-33
4. Door—Inside Front . . . . .	14-15
5. Door—Outside Front . . . . .	12-13
6. Electrical Connectors . . . . .	.34
7. Electrical Harnesses . . . . .	.26
8. Gum and Mint . . . . .	20-21
9. Product Shelves . . . . .	22-23
10. Relays . . . . .	.25
11. Selection Switches . . . . .	.26
12. Sliding Panel . . . . .	18-19
SCHEMATICS . . . . .	35-36

## WARRANTY

The Automatic Products Company warrants this vendor, manufactured by it, to be free from defects in material or workmanship under normal use. Our obligation under this warranty is to the original purchaser only and is limited to making good at our factory any part or parts thereof which shall, within two (2) years after delivery of such product to the original purchaser, be returned to us or to our authorized dealer or distributor from whom purchased with all transportation charges prepaid to our factory, and which our examination shall disclose to our satisfaction to have been defective.

This warranty does not extend: 1: To any of our products which have been subjected to misuse, neglect, accident, incorrect wiring, improper installation, or to use in violation of instructions furnished by us; 2: To units which have been repaired or altered outside of our factory; 3: To cases where the serial number of the product has been removed, defaced or changed; 4: To electrical components, lamps, tubes or circuit breakers; 5: To accessories not of our own manufacture used with our products. Any part manufactured by Automatic Products Company, found by us to be defective within the warranty period will be exchanged by Automatic Products Company or their

authorized dealer or distributor without charge to the owner.

This warranty applies only to our products which are used within the United States of America, and is in lieu of all warranties expressed or implied, including, but not limited to implied warranties of merchantability or fitness for a particular purpose, and no representative or person is authorized to assume for us any other liability in connection with the sale of our products.

The Automatic Products Company reserves the right to make any changes or improvements in its products without notice and without obligation, and without being required to make corresponding changes or improvements in products theretofore manufactured or sold.

AUTOMATIC PRODUCTS COMPANY  
75 West Plato Boulevard  
St. Paul, Minnesota 55107

Snackshop II has been designed from superior engineering and with quality throughout. It has been built of rugged construction for many years of reliable trouble-free operation.

To achieve the most economical trouble-free operation from your Snackshop II, it is recommended that this service manual be thoroughly read and instructions followed pertaining to all loading and servicing, etc., of the vendor.

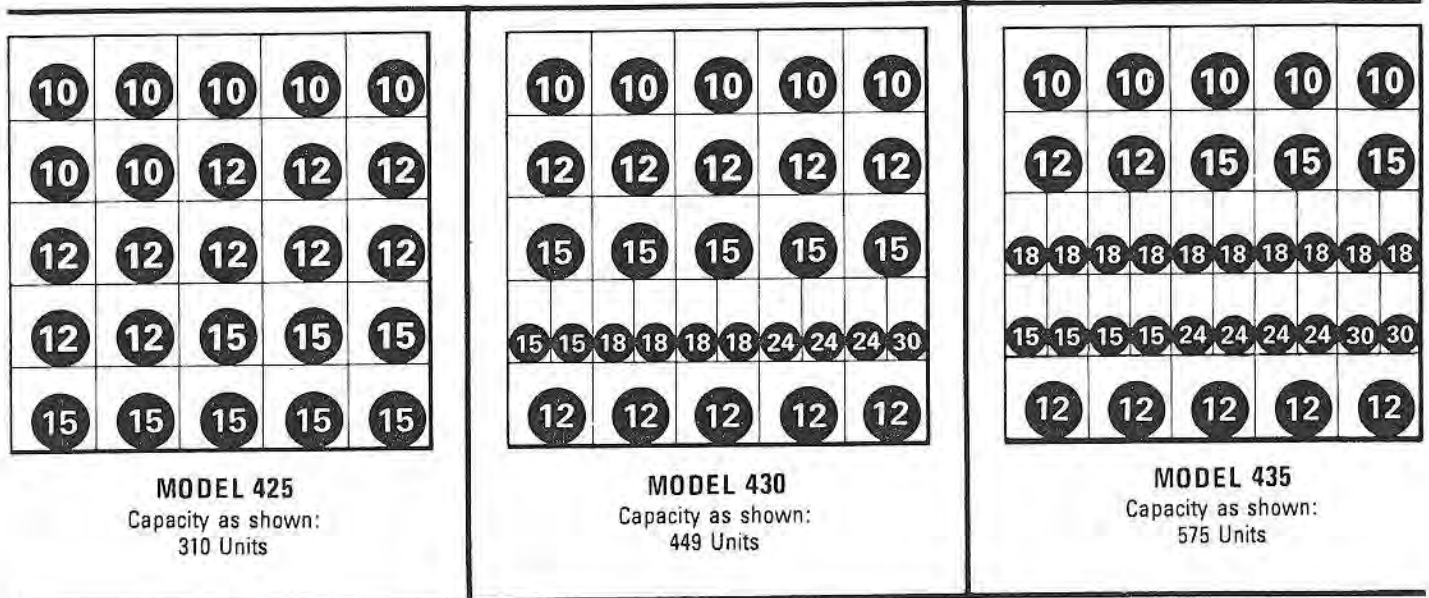
Should you have questions pertaining to this manual or the vendor, please contact your local Automatic Products Company distributor or write directly to:

Service Manager  
Automatic Products Company  
75 West Plato Boulevard  
St. Paul, Minnesota 55107

### SPECIFICATIONS

HEIGHT – 72"      WIDTH – 38-7/8"      DEPTH – 35"  
FLOOR SPACE REQUIRED – 9.5 SQ. FT.  
SHIPPING CONTAINER SIZE – 72.5 CU. FT.  
POWER REQUIREMENTS – 115 V., 60 HZ.  
STANDBY AMPERES – .7      OPERATING AMPERES – 3

Unless otherwise specified machine will be shipped with spiral assortment shown below.  
 Figures in circles represent capacities in each spiral.



**PRODUCT SIZE CAPABILITY**

	HEIGHT	WIDTH	DEPTH Spiral Spaces
Top Shelf	9"	2-1/2" to 5-1/4"	7 Item Spiral 2-1/2"
Second Shelf	8"		10 Item Spiral 2-1/16"
Third Shelf	7-1/2"		12 Item Spiral 1-11/16"
Bottom two shelves with 5 Selections	6"		15 Item Spiral 1-5/16"
Third Shelf with 10 Selections	7-1/2"	1" to 2-1/4"	15 Item Spiral 1-5/16" 18 Item Spiral 1-1/16" 24 Item 3/4" 30 Item 1/2"
Fourth Shelf with 10 Selections	6"	1" to 2-1/4"	15 Item Spiral 1-5/16" 18 Item Spiral 1-1/16" 24 Item 3/4" 30 Item 1/2"

Ten selection shelves for candy and other narrow items fit only in the third and fourth positions.

Spiral of one item capacity can be freely interchanged with any other of the same diameter.

Boxed items may need slightly larger clearances to vend properly.

Movable spacers available to adjust widths to ranges shown in each selection.

**Gum-and-Mint Capacity.** It is difficult to determine the true capacity due to variations of product size.  
 The average capacity for the Gum-and-Mint stack is 175 items.

## unpacking

The Snackshop II is assembled and packed so that a minimum amount of time is necessary for preparation to install it on location. The following steps are recommended to insure correct unpacking.

1. **Shipping Damage:** Thoroughly inspect the exterior of the carton for damage which may have occurred during shipment. Report any damage to delivering carrier and follow their instructions.
2. Remove staples from lower edge and those at top of carton, and slit carton vertically at the taped corner. Open and remove carton. Remove the remainder of the packing material. On machines shipped with lock in place, the keys are stapled to the carton base.
3. Lift machine off crate base. Remove crate base. Remove plastic bags from legs. If machine has been shipped with a lock installed be sure to remove keys from crate base before disposing of base.

**NOTE:** Because the weight concentration is toward the back of the cabinet, trucking and lifting should be done

from the back. CAUTION should be taken when trucking from side.

4. On machines with lock in place, unlock and lift handle to open door. When no lock is furnished, remove lock handle retainer clip and lift handle. Swing door to its full open position.
5. Remove all packing tape and paper from various areas of machine.
6. A sliding panel on which a Gum and Mint unit (optional), changer and pricing controls are positioned is located on the right side of the machine. Using the handle provided, pull panel out to its full extended position. Remove the shipping screw with red tag attached located on the right side of gum and mint stack.
7. **Warranty:** The warranty card is attached to the cover of this manual. It must be filled out in full and mailed at once to insure coverage.

## installation

1. **GENERAL:** In some locations, due to the size of this machine it is not possible to move the fully assembled machine through doors or narrow hallways. For such locations the door of this vendor can be removed, thus reducing the clearance required down to 32 inches.

**DOOR REMOVAL:** To remove the door, swing door to 90 degrees. Remove bolt and washer (page 16, item 10 and 11) on door end of door stop (page 16, item 12). Remove screw and metal clamp (page 14, item 41 and 10). Disconnect the electrical harness from the door at the selection switches (three plugs), and from the other two pin plug located at the lower pivot side of the cabinet door. Remove harness from the plastic clamps and fold it under the cabinet shelf. The upper hinge is secured to the cabinet by one bolt extending through the hinge from the inside of the cabinet. Use a 1/2 socket to remove. The lower hinge is secured to the cabinet by two bolts. These are located under the cabinet and are also used as leg mounting bolts. Remove only the two bolts, front and back, that go through the hinge on the left side of leg mounting plate. The other two bolts hold the leg in place. Do not remove them. Pull the door forward, the hinge plates will slide out of their guides, freeing the door. Remove left side panel extension (page 16, item 27) which is held by four screws. Remove the cabinet to door filler assembly (page 16, item 2) which is held in by twelve screws. To install the door, reverse the above procedure.

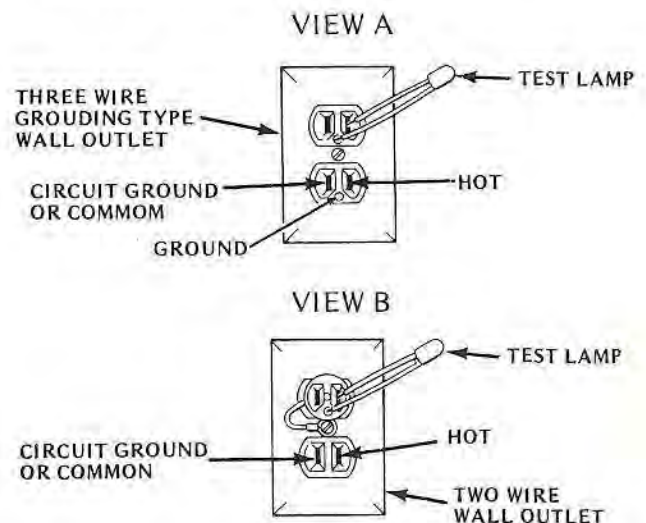
2. **LEVELING THE MACHINE** on location is important for the proper function of the machine. The four leveling screws in the legs are the means of leveling the machine. After positioning the machine, level machine in front to rear and right to left directions. After leveling, turn front right (lock side) leveling screw in about one-half turn to drop this corner slightly to make door easier to close and lock.
3. **THE MAIN POWER CORD** extends out the bottom right rear of cabinet and is taped. The cord has a 3 pin grounded plug attached. Untape and plug cord into a properly grounded 115V 60 HZ outlet only.

In order to comply with electrical safety regulations and Underwriters Laboratories requirements, all electrical equipment must be properly polarized and grounded. The Snackshop II is wired so that it is properly polarized in accordance with the electrical code. If the wall outlet is wired and grounded properly, then the vendor will connect properly.

Shown below are two properly grounded and polarized wall outlets. One is a three wire grounding type wall outlet (see view A) and one is a two wire wall outlet (see view B) with an adapter in place. To make a polarity check use a 115 volt neon test lamp as shown or a volt ohm meter. The hot side of the circuit should always be counterclockwise from the ground terminal (which should be at the bottom).

Should the polarity at the wall outlet show any way other than that shown below the outlet should be rewired.

After machine is connected, turn on power in machine. The main power toggle switch (page 16, item 18) for the entire machine is located near the lower right front of the cabinet just above the cash box.



4. **LOADING SNACK SHELVES:** Open door to full open position, push down on white plastic lock lever (Figure 1) on right side panel by shelf to unlock shelf, holding lever down. Grasp the shelf under both front corners (see Figure 1), lift front of shelf slightly and pull forward until shelf reaches its stop. The top two and bottom two shelves tilt down (do not drop) to make loading easier. The center shelf remains horizontal. **Only one product shelf should be in the loading position at a time.** When returning a shelf, be sure the shelf is in its full home or vend position. Begin loading with the top shelf. Move it to the loading position. The height spacing for items is greatest in this shelf and the tallest bagged items should be placed there. Soft items, such as pastry, pies, etc., should be placed in the lowest snack shelf, making the drop distance as short as possible.

**IMPORTANT:** Product must not be forced into the spiral spaces but should fit freely. If the product is too tight, use a larger pitch spiral. The bottom of the product should be placed on top of the spiral wire that rests on the shelf surface (see Figure 2). The width of the product must be greater than the diameter of the snack spiral. If it is smaller, the product may fall through when it is in the front, ready to vend position.

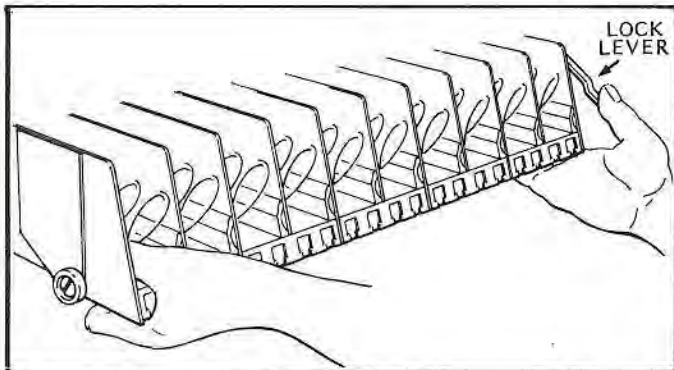


Figure 1. MOVING SHELF TO LOADING POSITION.

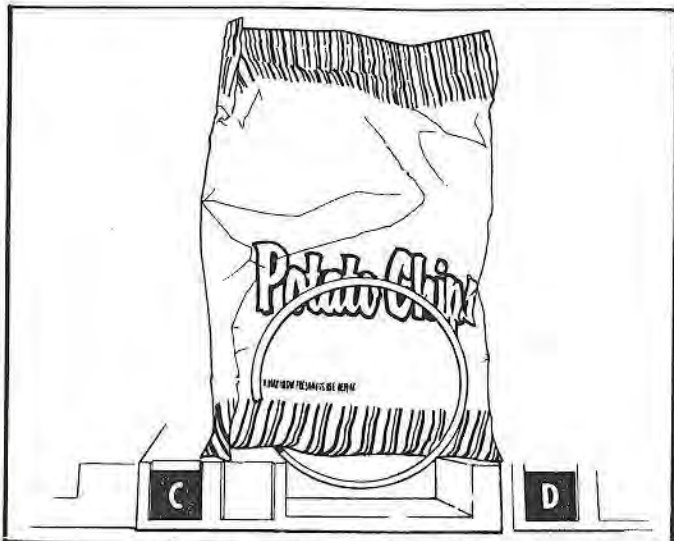


Figure 2. PLACEMENT OF PRODUCT ON MAIN PRODUCT SNACK SHELVES AND FRONT END POSITION OF SPIRAL.

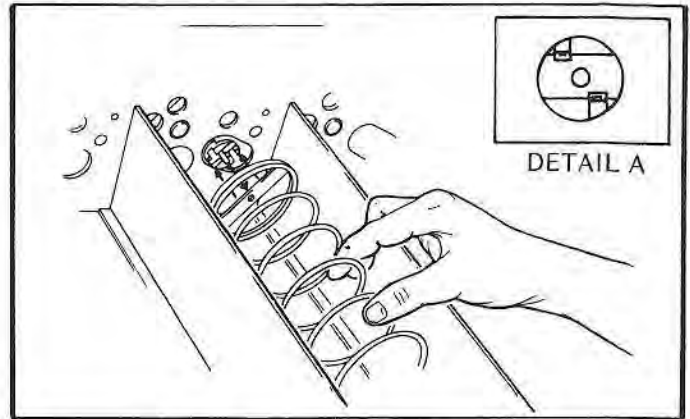


Figure 3. REMOVING AND INSTALLING SPIRAL.

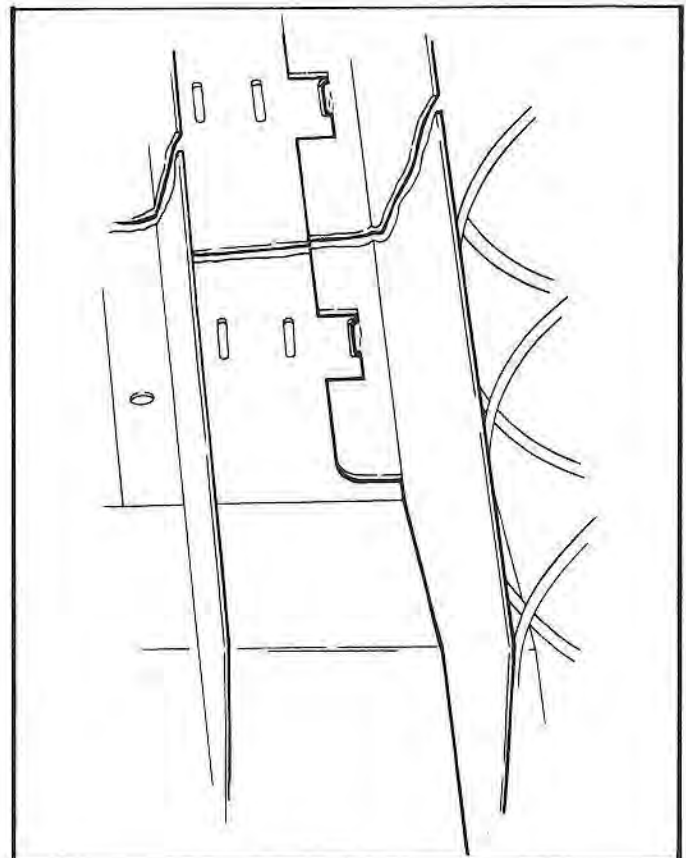


Figure 4. ALIGNMENT OF MOVEABLE PRODUCT SPACERS.

5. **REMOVAL OF SPIRAL:** To remove a spiral, grasp the spiral near the rear of the shelf and pull forward. To install a spiral, align the hole in the cross strap, at the rear of spiral, with the motor shaft. (See Figure 3) Be sure the front end of the spiral is positioned properly (with the front end of spiral pointing downward on the left side) (see Figure 2); align strap between retainer tabs on spiral retainer (see Detail A, Figure 3) attached to motor shaft, push spiral to rear until both tabs snap over strap (see Figure 3). Give a light forward pull on front of spiral to check if it is locked in place.

## installation

6. **PRODUCT SPACERS-5 SELECTION SHELF:** A product spacer (page 22, item 9) is used to reduce the width of the product area and should be used on any 5-selection snack shelf where the product width is  $4\frac{1}{2}$ " or less. Spacers should fit within  $\frac{1}{8}$ " of the product but *should not* fit tight against the product. These spacers are packed and shipped in the bottom of the door. There are three positions in each snack space where these spacers can be placed. To install the spacer, align the lock ears (on the lower edge of the spacer) with one of the three sets of slots (one front and one rear). (See Figure 4.) Push the spacer to the rear to allow the ears to enter the slots, then allow the spacer to move forward. Be sure the ears are in the same set of slots, front and rear. (See Figure 4.) Continue loading all spirals adjust with spacers where needed in the top shelf. Return the top shelf to the vend position and following this procedure load the remainder of the large spiral shelves.
7. **LOADING MAIN PRODUCT CANDY SHELVES:** The 10-selection (candy type) shelves are loaded similar to the 5-selection shelves except that the bottom of the product sits on the shelf in *front* of the spiral wire (see Figure 5) that rests on the shelf. These products must also fit properly in the spiral space; *do not* force product into spiral. These spirals are removed and installed the same as the large spiral (see Figure 3), except that the front end position is different (approximately 5 o'clock) (see Figure 5) and the front left side of the spiral must be behind the small tab located on the left side of the product space side wall (see Figure 5, Detail A).
8. **PRODUCT SPACERS-10 SELECTION SHELF:** The 10-Selection shelves are equipped with a product spacer (see Figure 6) that can be pivoted from the right side of each product space. These spacers should be pivoted out to hold the product upright, but not tight against the product. Leave about  $\frac{1}{8}$ " clearance between the spacer and the product.
9. **PRODUCT PUSHER:** Some products used in the 10-selection shelves may require the addition of a product pusher (see page 23, item 21). This plastic part is designed to push the top of the product forward while it is vending, helping it fall from the shelf. It can also be used with product that has the wrapper end flap on the outside of the package. In this case, the pusher prevents these products from hanging on the spiral by spreading the flap. The pusher is installed approximately 210 degrees from the front end of the spiral with the tab extending forward (see Figure 7). Locate the pusher in its proper position, hold it against the spiral wire and push the semi-circular part around the spiral wire. Do not use this pusher on all products as it is not needed with most products. If you experience any product vending problem, install a pusher on that spiral only and test vend several times to see if it eliminated the problem.
10. **BAGGED ITEMS** in the 10-selection shelves if not loaded properly could be a problem. The sealed edge of the bag may get under the spiral wire causing the product to hang up after it has been vended. It is recommended that the lower edge on these types of product be folded forward and up (see Figure 8) next to the product before inserting into the spiral space.

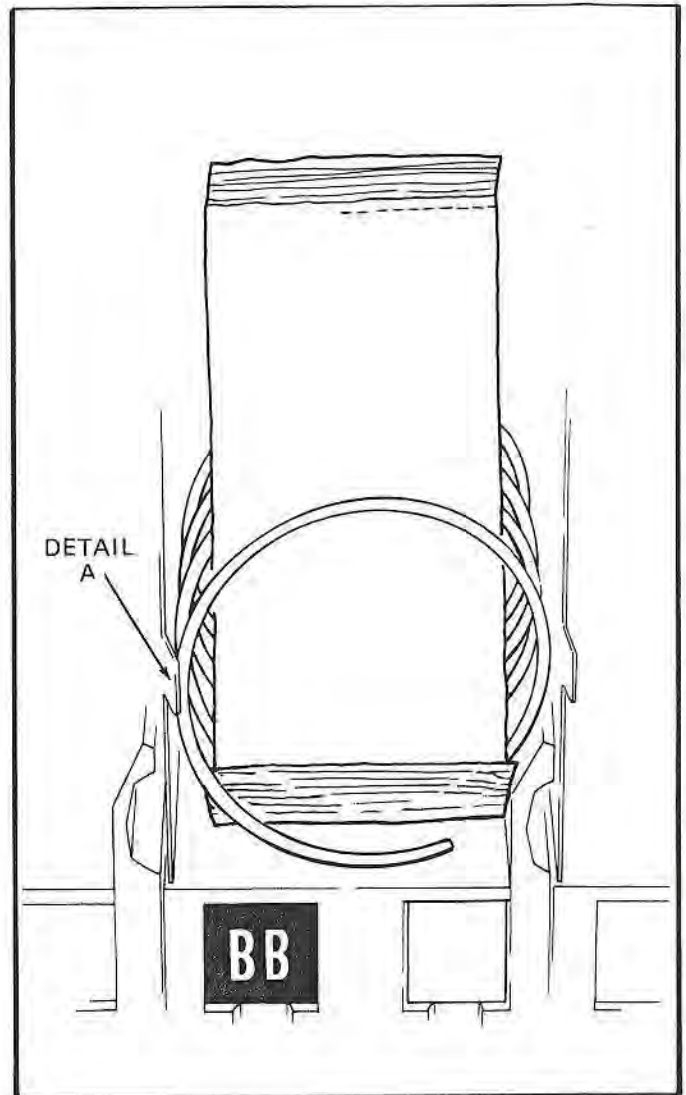


Figure 5. PLACEMENT OF PRODUCT ON MAIN PRODUCT CANDY SHELVES AND FRONT END POSITION OF SPIRAL.

11. **CIGARETTE VENDING FROM SNACKSHOP II:** Cigarettes can be vended from the candy shelves using the (15 capacity) spiral for soft pack regular, king, 100MM or 120MM packs. The (12 capacity) spiral should be used for (box) packs.
12. **LOCK PRODUCT SHELVES.** After all the product has been loaded be sure all shelves are returned to their vend position behind the front roller guide.
13. **INSTALL PROPER PRICE TABS** into price tab holder for each selection in the main product area. See Figure 9.
14. **LOADING GUM-AND-MINT:** The gum-and-mint columns and drive mechanism are located on the sliding panel. Pull out the sliding panel. Unlatch Gum and Mint stack and lower to loading position. Any of the columns will vend vend-pack gum or short mints. Four of the

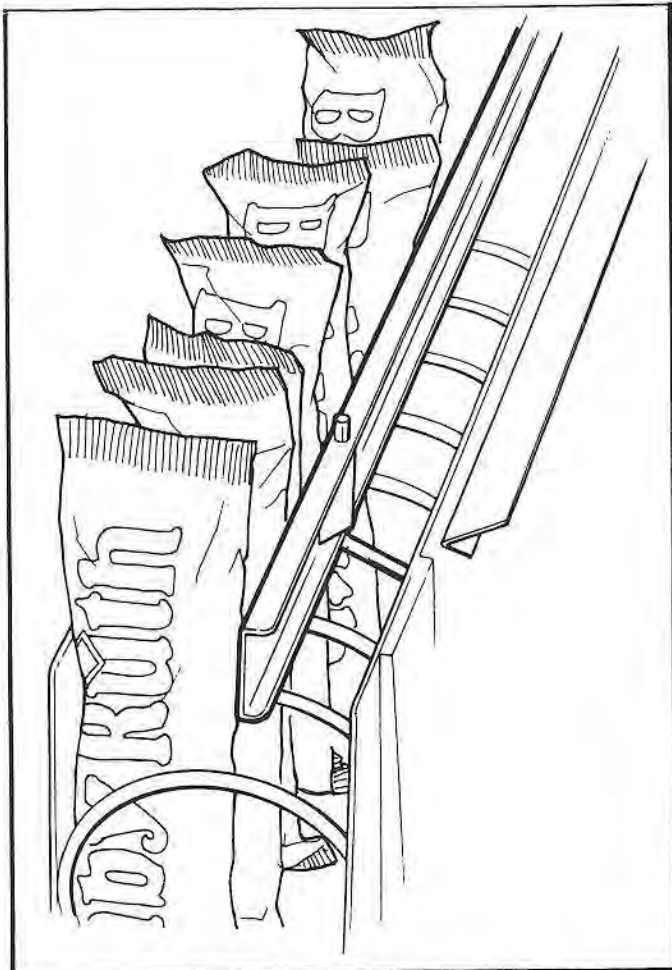


Figure 6. 10 SELECTION SHELF PRODUCT SPACER POSITIONED TO HOLD CANDY UPRIGHT.

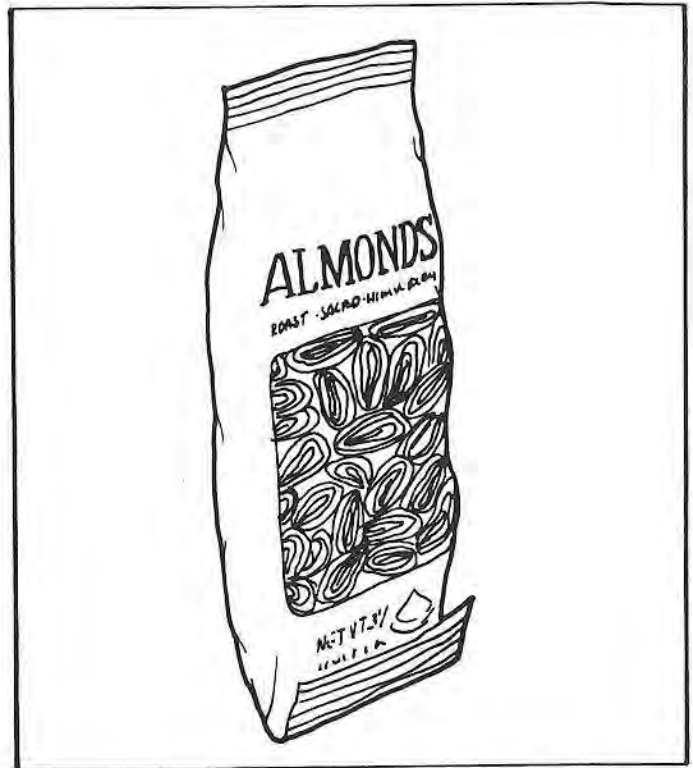


Figure 8. FOLD BAGGED ITEMS BOTTOM EDGE FORWARD AND UP.

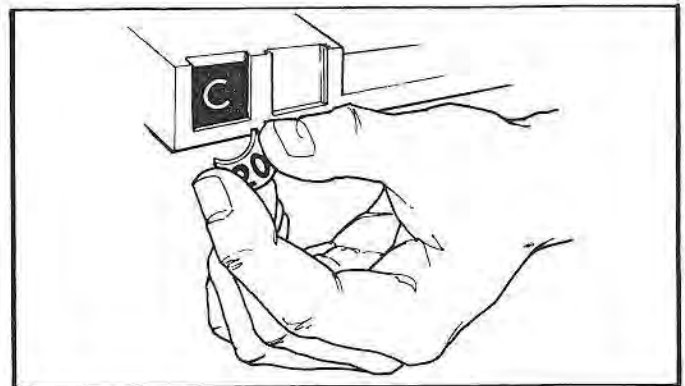


Figure 9. INSTALLING PRICE TABS.

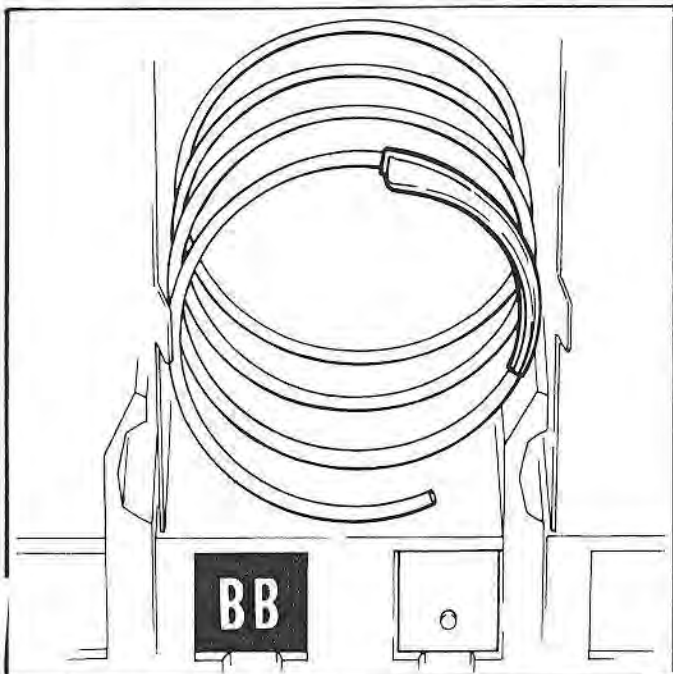


Figure 7. LOCATION OF PRODUCT PUSHER ON SPIRAL.

columns have fillers which may be removed to vend long mints. When reinserting these fillers into stack, be certain the "dimples" of the fillers are in the holes of the stack. One column has a small mint filler. This filler must be removed to vend gum or regular size mints. Retainers are attached to the base of each column. An instruction decal is positioned on the back of the gum and mint stack showing the proper use of retainers and fillers. After the columns have been loaded, return the gum and mint stack to its up and locked position. Remove the gum and mint display box (see page 14, item 19) from the door by lifting the lock lever (page 14, item 40) to the right. Follow directions on back of display box for removal and loading. Load one product from each column into proper display slot. Should you



# installation

be using long mints, it will be necessary to remove some product from the package used for display, as the display will hold only the standard length products.

15. INSTALL PRICE TABS into the display and replace display box onto door.
16. CHANGER (4 and/or 10 price): Unlatch and swing changer mounting bracket (see page 18, item 21) open 90°. Use the supplement changer manual sent with vendor for all pricing and servicing, etc. After servicing, return changer mounting bracket to its locked position.
17. PRICING: 4/10 PRICE CHANGERS: The selection price setting board (page 18, item 17) is located in the

lower center of the slide-out panel. Each selection has its own price setting slider on this board. Place the slider for each selection to its correct selling price as previously established in the changer. Top line (1) is number 1 line from changer. Second line (2) is number 2 line from changer, etc. See Figure 10.

18. PUSH THE SLIDING PANEL all the way back into machine. Be sure changer mounting bracket is latched. Close and lock door. Check delivery bin to be sure it is operating properly. Test vend several items to be sure price lines are set correctly and products are dispensing properly.

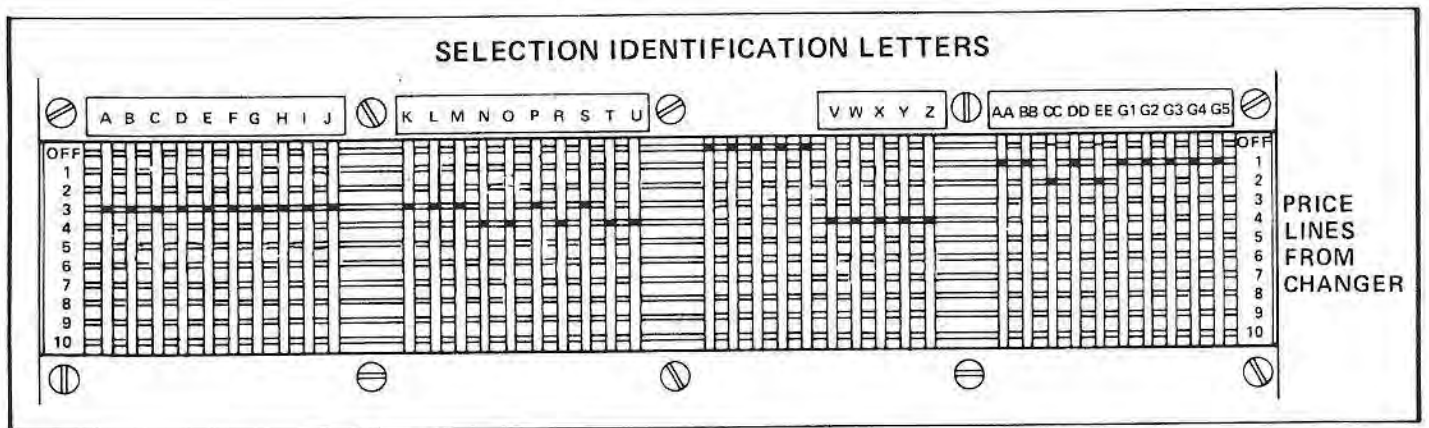


Figure 10. EXAMPLE OF HOW THE PRICE SETTING BOARD WILL LOOK WHEN PRODUCT PRICING SLIDERS ARE IN POSITION.

PRICE VALUE SWITCHES ARE ON IN THE DOWN POSITION AND OFF IN THE UP POSITION

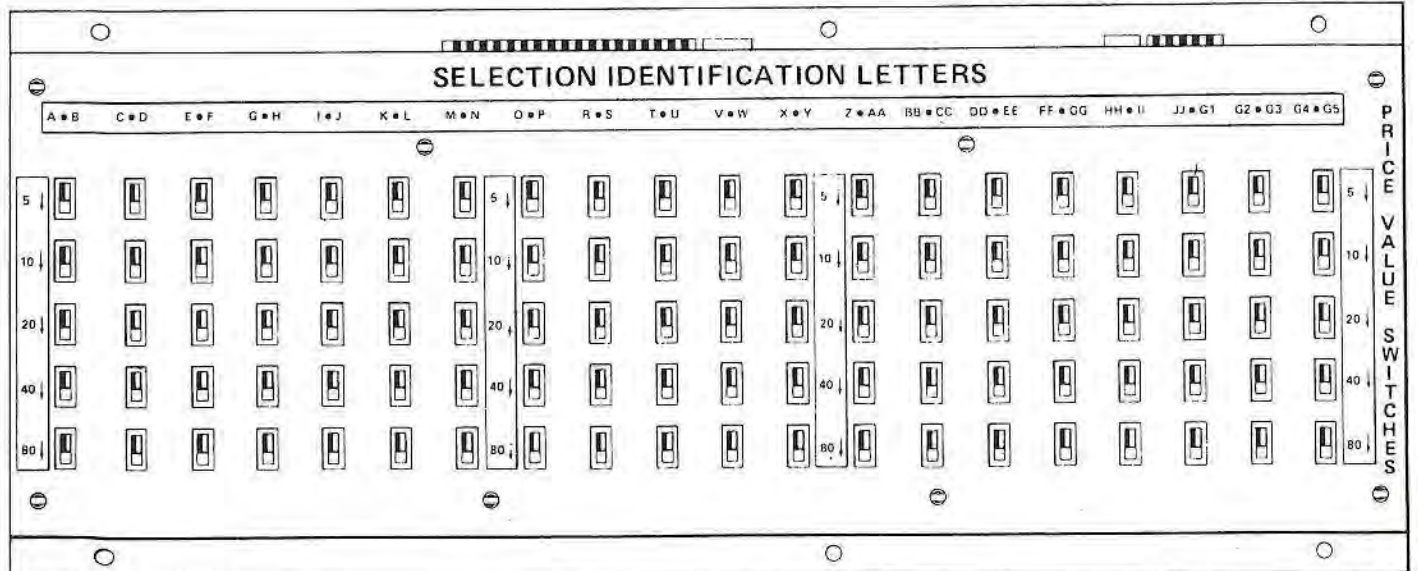


Figure 11. MULTI-PRICE PRICING PANEL FOR A MODEL 435 w/GUM & MINT

## PRICING MULTIPRICE CHANGERS:

Setting the prices on a Snackshop II with a multiple changer is different from that of the 4 or 10 price changers.

The multiprice changer gives you the capability of selling from 1 to 31 different prices at one time.

To set prices you have a price setting panel that is separate from the changer (see figure 11). The letters across the top of the panel indicate the product selection A, B, C, etc. the numbers running vertically down the panel indicate the value for each of the price setting switches, 5¢ 10¢ 20¢ 40¢ and 80¢. Each selection having 5 price setting switches.

To set the price for selection A, use the set of black switches running vertically down the panel under the letter A. For

example, let's say we want to set A selection on 15¢, move the top switch 5¢ down and the second switch 10¢ down, all the rest of the switches for selection A should remain in the up or off position. This establishes a 15¢ vend price for selection A only. Then let's say we want to sell selection B for 25¢, selection B is priced with the set of white switches running vertically down the panel next to the black switches used to set the price for selection A. To establish a 25¢ vend price for selection B move the top 5¢ switch down and move the third switch from the top 20¢ down, this establishes a 25¢ vend price for selection B. Now continue in this same manner for each selection until the prices have been set for all columns including Gum and Mint, which are indicated on the price setting panel as G1, G2, G3, G4 and G5.

## components

1. **POWER SUPPLY:** The main power switch, fluorescent lamp circuit, blower motor if one is installed and the primary circuit to the transformer operate on 115 Volts. The remainder of the electrical components and wiring are operated on 24 Volts. When testing any of the components on the 24 Volt side of the circuit such as indicator lamps, motors, relay, changer, etc., **do not use 115 Volts. Test only with 24 Volts.** The main power switch (page 16, item 18) located on the bracket on the lower lock side of the cabinet above the cash box is used to open or close the circuit to the entire machine.

**CAUTION: Turn main power switch off when working on any electrical component of machine.**

The transformer (page 16, item 16) is located behind the cash box and is mounted to the base of the cabinet. The transformer is used to convert the 115 Volt circuit from the wall outlet over to 24 Volts.

The main (3 AMP) circuit breaker (page 16, item 19) is located on the same bracket with the toggle switch. The circuit breaker protects the 24-volt circuitry of the Snackshop II, leaving the wall outlet fuse or circuit breaker to protect the 115-volt side of the line.

The only thing that should cause a three-amp circuit breaker to open is a short in the 24-volt circuit. This could result from a shorted component such as a motor, coil, diode, or a bare wire touching a piece of metal. Keep this in mind any time you find the circuit breaker open. If you re-set it and the machine starts working again, before leaving the location the machine should be thoroughly tested. Be sure to operate all the selections.

2. **LIGHTING SYSTEM:** (Refer to page 14.) There is only one fluorescent lamp (item 3) in the Snackshop II. The lamp is located in the top of the door, and lights the main product area and the product sign, if used. The starter (item 30) is located on the hinge side of the lamp. The ballast (page 16, item 22) for the circuit is located on a bracket on the lower lock side of the cabinet above the cash box.
3. **MAIN PRODUCT SHELVES:** (Refer to page 22 and 23). There are five main product shelves per machine. Each containing either five or ten selections. Each selec-

tion has its own motor (item 2) and motor hold switch (item 25) mounted to the back of the shelf. Every shelf has its own harness and plug for connecting to the remainder of the circuit through the cabinet receptacle, located in the rear center of the cabinet. The motors and switches are the same on either type shelf.

### REMOVAL OF PRODUCT SHELF:

- a. Lift up and push the lock lever toward the back of cabinet. See figure 1.
- b. Pull the shelf to its loading position.
- c. Grasp shelf in front and rear center. Lift front of shelf up above horizontal and pull shelf forward while lifting.
- d. To install shelf, reverse above procedure.

4. **MAIN PRODUCT SELECTION SWITCHES:** (Refer to page 26). The main product selection switches (item 4) are in banks of five (see Figure 12, page 8) and *cannot* be separated. Should one switch fail, it is necessary to replace a bank of five. To replace a switch bank or a selector button (item 6) remove the rear cover (item 8) from the switch assembly; it is a snap-fit to the switch mounting box (item 7). Unplug electrical harness at bottom of switch box. With the cover removed, the four mounting screws (item 9) (two top and two bottom) can be removed. The entire assembly can then be removed from the door and selection buttons and/or switch banks replaced.
5. **GUM-AND-MINT SELECTION SWITCHES:** (Refer to page 26). The Gum and Mint selection switches (item 4) are located on the door next to the Gum and Mint display box. The switch box (item 3) contains one bank of the same switches as used for the main product selection switches (see Figure 12, page 8). The cover (item 5) is a snapfit. The two mounting screws (item 9) (one top and one bottom) will remove the assembly. The buttons and/or switch bank can then be replaced.
6. **USE CORRECT CHANGE AND GUM AND MINT EMPTY LAMPS:** (Refer to page 14, item 14). The lamps are located on the door between the two boxes of selection switches. Use only 24V lamps for replacement.

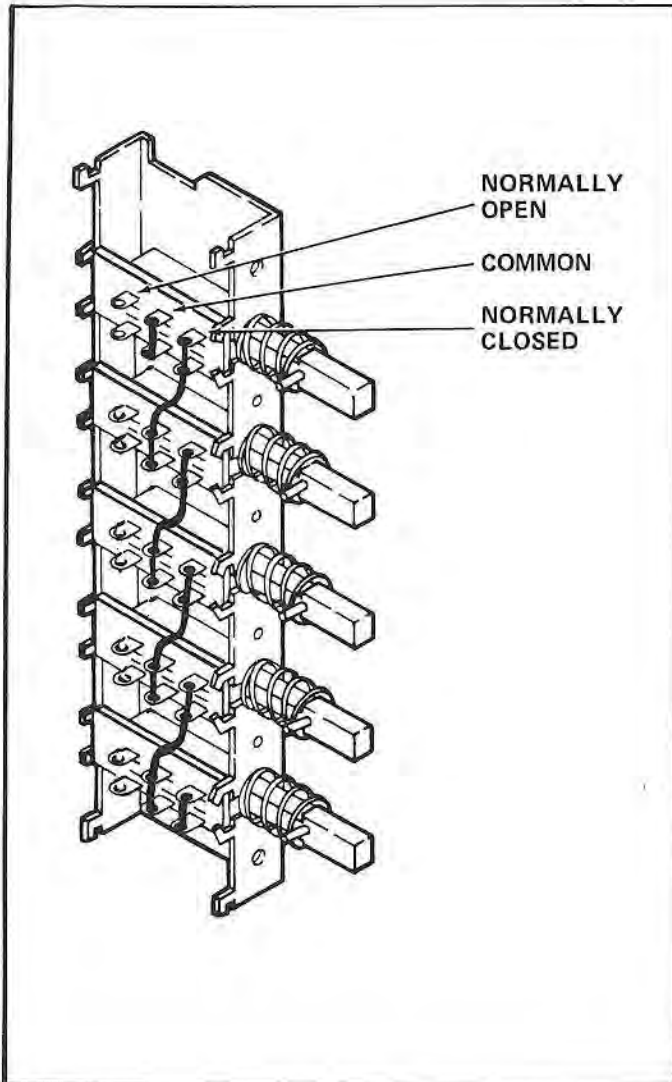


Figure 12. BANK OF FIVE SELECTION SWITCHES.

7. DELIVERY BIN: (Refer to page 24). This is located below the display window on the door and is mechanically operated. The linkage on the outside ends of the delivery bin may require occasional lubrication. Should door become difficult to operate, place a small amount of grease on the arm tracks

REMOVAL OF DELIVERY BIN:

- a. Remove the screws (page 14, item 10) from the underside of the delivery bin. These screws fasten into the lower door brace and remove the two screws and brackets at the top of the deliver bin.
- b. Grasp delivery bin on both sides and lift up and pull back. Should bin be tight, rock it by lifting on one end, then the other.

REPLACEMENT OF DELIVERY BIN:

- a. Locate lip on front edge of delivery bin over lower edge of opening in door and behind trim. Press down along lip to make sure it is fully engaged between door and trim.

- b. Install the four screws and two brackets, to secure bin to door.

8. COIN RETURN: The coin return lever (page 12, item 22) located on the door and the coin return linkage (page 18, item 22) located above the changer, scavenges the slug rejector. Actuation of the coin return lever will clear the rejector of any damaged coins and will also cancel all credit on the changer, returning that amount to the customer.
9. COIN ACCEPTANCE: A coin or coins (5¢, 10¢ or 25¢ coin) being deposited pass thru the rejector and into their respective coin paths in changer establishing the credit. The coins then enter either the self-load change tubes on the changer or the cash box. Actuation of the coin return lever prior to making a selection will cancel all credit on the changer and will return the amount of deposit back to the customer.
10. CHANGER: The changer used on the Snackshop II is an electronic multi-price unit and is located on the front of the sliding panel on a hinged bracket. The latch to open the bracket is located on the right side of the panel. Follow directions of changer manufacturer, furnished with changer, to set prices or when servicing the unit. For service we recommend contacting the manufacturer of the unit. The lower chutes on the changer bracket route the coins from the changer to the cash box or to the coin return cup.
11. RELAY BOX: (Refer to page 25). The vend relay box located on the sliding panel to the rear of the changer mounting bracket, contains the relay or relays and circuits to interface the changer with the remainder of the vendor. The cover (item 4) of the vend relay box is a snap fit and can easily be removed. All electrical connections from the box are by plugs or quick-disconnects. There are three types of relay boxes used.
  1. The relay box used with a four-price changer has only one relay (item 1).
  2. The relay box used with a ten-price changer contains one relay (item 6) and a time delay pack (item 11). Wires coming from the lower right corner of the relay box attach by means of quick-disconnects to the pricing board.
  3. The relay box used with a multi-price changer has only one relay (item 12). There are no wires from this relay box to the pricing board.
12. PRICING BOARD: (Refer to page 18 and Figure 10, and 11, page 6,) The pricing board is located on the sliding panel behind the changer mounting bracket and below the relay box. The pricing board (item 17 and 17 A) allows pricing of each selection by means of a sliding switch to any of the price lines available from the changer. The pricing slide switches are the means of connecting the price line from the changer to the selection motors. The wires on the right side of the pricing board provide the price lines from the coin changer. The plugs on top connect the wires from the pricing board to the individual selection motors in the main product area, and to the individual Gum and Mint motors. Every

slider switch on the pricing board shows its selection identification letter (item 20) at the top, the slider switches without letters are non-functional. The pricing board can be removed by disconnecting all electrical connections and removing the four screws that mount it to the sliding panel.

13. GUM AND MINT MECHANISM (Refer to Page 20). The Gum and Mint mechanism is located in the center of the sliding panel. It consists of the Gum and Mint stack (Item 1), which contains five individual columns. The motor mounting bracket (Item 22) under the Gum and Mint stack contains the five (5) individual vend motors (Item 17), one for each column. Each motor has a switch (Item 16) mounted to it and a clutch assembly (Item 18, 19 & 20).

OPERATION (Refer to Page 20). When a Gum and Mint selector button is pressed the selection switch will energize the respective motor for that selection. Once the motor hold switch is actuated the motor hold switch will supply the electrical circuit to the motor for the remainder of the vend cycle.

Should a product jam in the Gum and Mint mechanism the clutch assembly (Item 18, 19 and 20) is designed to allow the motor to clutch past and return it to its standby position keeping the vendor operative even though a Gum and Mint selection is jammed. Once a jam occurs in the Gum and Mint unit, it will be necessary to re clutch the Gum and Mint ejector (Item 8) to put it back in cycle. To do this clear the jammed product, set up a credit and press the selector button for the column where the jam occurred, then when the ejector moves to its back or standby position, hold the ejector by hand and allow the motor to re clutch. Test cycle several times to assure proper operation.

14. REMOVING GUM AND MINT MOTORS AND/OR EJECTORS (Refer to page 20). The Gum and Mint motors are mounted to a motor mounting bracket (Item 22) mounted under Gum and Mint Stack. To replace a motor or an ejector lower the Gum and Mint Stack and remove the bracket (Item 12, Page 18) from the sliding panel, return the Gum and Mint Stack to its vend position and holding the motors at the bottom remove the two screws (Item 13) one on each side of the motor mounting bracket. Motors will now pivot down for accessibility and ejectors are free to remove. To reinstall the motors reverse the removal procedure.

15. GUM AND MINT EMPTY SWITCHES: (Refer to page 18). Behind the Gum and Mint stack, mounted to the sliding panel, is a series of five switches (item 30). When a gum and mint selection button is pressed, these switches either allow the selection to be made, if that column has product, or lights the gum and mint indicator lamp on the door if that column is empty. To replace any of these switches, unplug switch, remove and replace with identical switch.

16. REMOVAL OF SLIDING PANEL: (Refer to page 16) The entire sliding panel can be removed from the machine by using the following procedure:

- a. Pull panel to its full forward position.
- b. Disconnect (36 Pin) plug at pricing panel and (15

Pin) plug just above pricing panel. Disengage harness from cable guide on panel and lay harness on cabinet shelf.

- c. Remove panel stop bracket (item 41) located on upper side of roller channel assembly. This bracket is located about 6" from the front edge of cabinet at the top.
- d. Grasp the panel to support its weight and pull forward and lift upward. Be careful that the roller channel (item 42) does not fall off panel.

REPLACEMENT OF SLIDING PANEL:

- a. Engage lower edge of panel in lower track while still supporting panel. Be sure that nylon guide rivets (item 44) are in place at back of panel (2 rivets) and front of guide track (2 rivets).
  - b. Guide roller channel onto upper track and lift and push panel and channel into cabinet.
  - c. Reinstall stop bracket. Bracket must be installed in back of channel in top of cabinet, as this bracket is what stops the sliding panel in its forward position.
  - d. Plug in the 36 pin and 15 pin plugs from the cabinet harness and clip harness back into cable guide.
  - e. Push panel back into cabinet.
17. OUT OF SERVICE LIGHT: An extra lamp has been added to the door next to the G&M and correct change lamp. This will enable both customers and personnel to detect if the machine is in working order. Be sure to replace with a 24 volt bulb.

## optional equipment

---

### 1. VENTILATING BLOWER: (Kit No. 750080.)

The ventilating blower operates on 115 volts and keeps a steady flow of fresh air moving through the vendor cabinet.

Installation of the ventilating blower takes but a few minutes and requires no additional wiring; all the vendors are wired with a plug for the blower. Installation instructions are sent with kit.

### 2. UNIFICATION KITS:

Unification kits are available to make the vendor compatible with other manufacturers.

### 3. CHANGERS:

The Snackshop II is equipped to handle four (4) price, ten (10) price or multi-price electronic changers. It should be determined when ordering equipment what changer is to be used.

The difference between the four (4) price and ten (10) price changer is in the wiring of the relay box and changer receptacle. These parts can be changed in the field to convert a vendor with a four (4) price changer over to handle a ten (10) price changer or vice versa. A vendor shipped with a multi-price changer can not be converted to handle any other changer.

### 4. GUM-AND-MINT:

Gum-and-Mint units are available as an option with Snackshop II Vendors.

For information pertaining to loading or servicing gum-and mint unit, refer to this service manual, page 4 for loading instructions and page 9 for service instructions.

### 5. SPECIAL SPIRALS:

Special candy spirals are available for use in the five (5) selection snack shelves. For the sake of identification, the back end of these special spirals are colored RED and should never be used in the ten (10) selection candy shelves.

These spirals allow vending products that are too wide for the standard candy columns but may be too thin for the regular snack spirals. A product pusher and spacer should be used where required. Part numbers for these special spirals are as follows:

600254	24 space special spiral
600254-1	18 space special spiral
600254-2	15 space special spiral
600254-3	12 space special spiral
600254-4	30 space special spiral

**NOTE:** The difference between the standard candy spiral and the special candy spiral used in the wide snack columns is in the overall length of the spiral. The special spiral is shorter than the standard candy spirals.

**CAUTION:** Do not attempt to use the special candy spirals in a ten (10) selection candy shelf.

### 6. TEST PLUGS:

For trouble shooting a variety of test plugs have been developed and are available for testing various parts of the Snackshop II to help isolate a problem. The test plugs can be ordered under the part numbers listed below.

750071	Changer Bypass Plug 4 price Changer only.
750072	Changer Bypass Plus 10 price Changer only.
750073	Changer Bypass Plug Multiprice Changer only.

All of the changer bypass plugs function in the same way. These units are used to isolate a problem between the machine and the changer.

680244 Shelf Bypass Plug for all Snackshop II Models.

The shelf bypass plug allows the removal of one or more shelves from the Snackshop II and enables the remaining shelves to continue working, it requires one bypass plug for each shelf removed.

750076 Shelf Extension Harness for all Snackshop II Models.

The shelf extension harness allows a shelf to be removed and operated outside of the cabinet. The same harness will operate both the five and/or ten selection shelves.

660185 Cabinet Circuit Tester for machines that are wired for either a 4 or 10 price Changer.

660185-I Cabinet Circuit Tester for machines that are wired for a Multiprice Changer.

The cabinet circuit testers are equipped with ten lights and will test the circuit feeding to the cabinet shelf receptacle for either the five or ten selection shelves. When a five selection shelf is being checked only the top row of lights will light.

**NOTE:** An instruction sheet describing the proper use of these testers will be sent with each tester.

### 7. SOUP DISPENSER:

A canned soup dispenser is available as an option for use in the five selection snack shelves. The dispenser is easy to install and holds up to nine cans in the unit. See page 22 for itemized parts of this component.

## cleaning

---

The Snackshop II will do the best merchandising job for you if it is kept clean. The display window can be cleaned with any good glass cleaner. The exterior and interior surfaces should be cleaned with warm water and mild detergent. Rinse thoroughly and dry all surfaces.

### CAUTION:

Do not use any cleaners containing silicon as this could cause electrical failures.

The gum and mint chute (page 16, item 31) should be removed and cleaned once a month. This chute is located on the gum and mint panel side of the right side panel (page 16, item 35). Pull the gum and mint panel to its full forward position. The chute requires no tools for removal; it is a friction fit behind the front flange of the right side panel. Grasp under the chute, lift up about one inch, then move chute to rear of machine to disengage it from panel flange. Move chute to right and bring forward under gum and mint carriage housing. Reverse above procedure to reinstall chute.

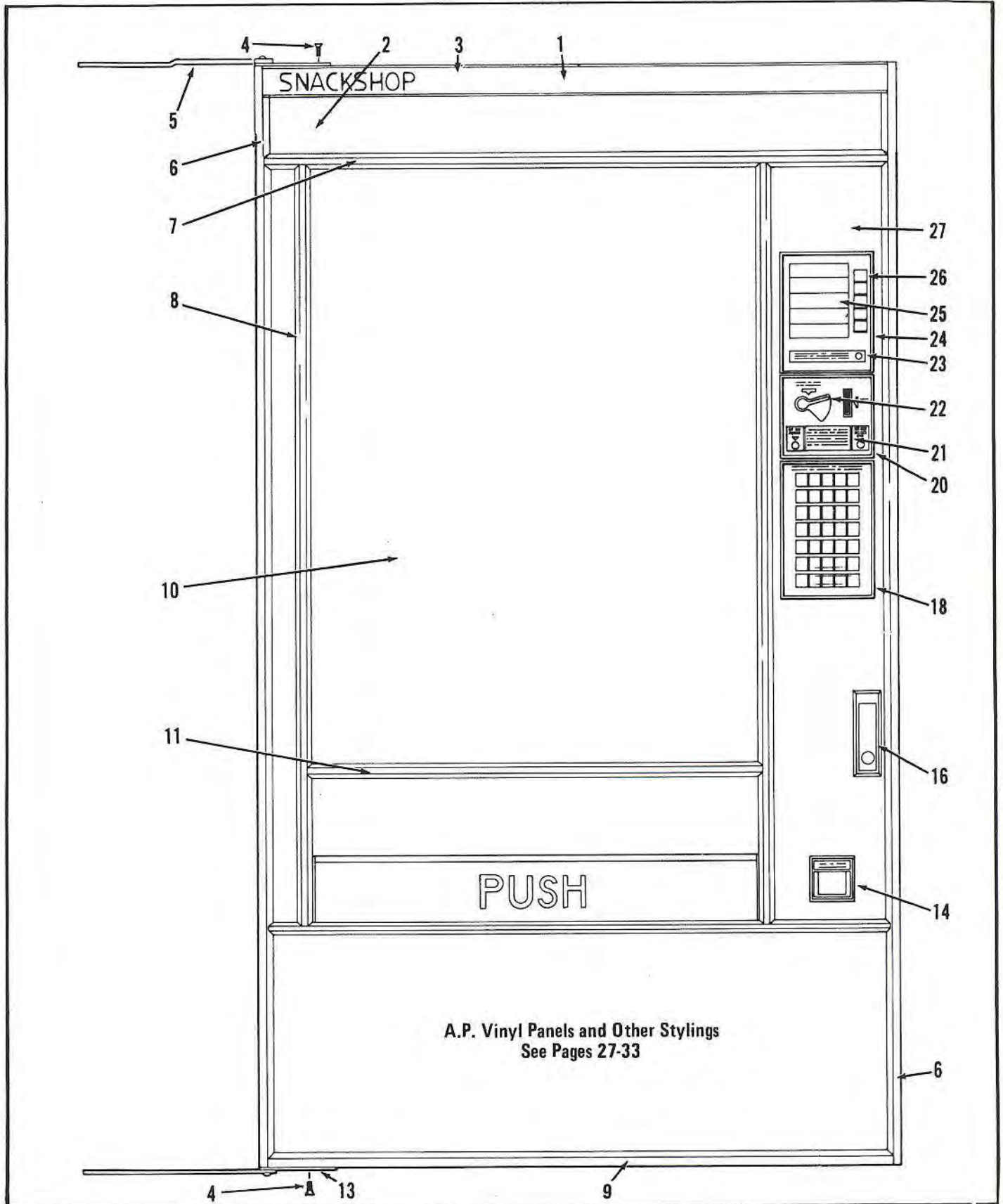
The main product shelves can be best cleaned with the spirals and product spacers removed. Refer to page 3 for removal of spirals and page 4 for removal of product spacer. There are openings in each end of the delivery bin at the back for cleaning out dirt.

Clean the acceptor on the changer frequently as accumulated dirt in this area can cause coins to hang or not be accepted. Follow recommended cleaning procedures as described by the manufacturer.

troubleshooting

TROUBLE	CAUSE	REMEDY
MACHINE COMPLETELY INOPERATIVE—LIGHT OUT—C.R.E.M. COILS NOT ENERGIZED.	<ol style="list-style-type: none"> <li>1. Power cord not plugged in.</li> <li>2. Building fuse or circuit breaker open.</li> <li>3. Main power switch off or defective.</li> </ol>	<ol style="list-style-type: none"> <li>1. Check for plug damage and plug in.</li> <li>2. Replace fuse or reset breaker.</li> <li>3. Turn on or replace switch.</li> </ol>
MACHINE WILL NOT ACCEPT COINS — LIGHT ON — C.R.E.M. COILS NOT ENERGIZED.	<ol style="list-style-type: none"> <li>1. Machine circuit breaker tripped or faulty.</li> <li>2. Plug loose on relay box.</li> <li>3. Loose connection on Vend Relay.</li> <li>4. 24 Volt power plug under shelf loose.</li> <li>5. Defective motor hold switch.</li> <li>6. Wire off motor hold switch or loose plug.</li> <li>7. Product motor in half cycle.</li> <li>8. Gum and Mint motor in half cycle.</li> <li>9. Defective or open transformer.</li> <li>10. Defective changer.</li> <li>11. Out of service light is on.</li> </ol>	<ol style="list-style-type: none"> <li>1. Reset or replace.</li> <li>2. Check both plugs.</li> <li>3. Check connections and resolder if necessary.</li> <li>4. Check plug.</li> <li>5. Replace switch.</li> <li>6. Replace wire, plug in properly.</li> <li>7. Defective motor, wire off motor coil, motor binding.</li> <li>8. Defective motor or motor hold switch.</li> <li>9. Replace transformer.</li> <li>10. Replace changer.</li> <li>11. Check for opening in the series circuit through the machine.</li> </ol>
MACHINE WILL NOT ACCEPT COINS—LIGHTS ON—C.R.E.M. COILS ENERGIZED.	<ol style="list-style-type: none"> <li>1. Defective acceptor.</li> <li>2. Machine not level.</li> <li>3. C.R.E.M. coils out of adjustment.</li> </ol>	<ol style="list-style-type: none"> <li>1. Adjust or replace acceptor.</li> <li>2. Level machine.</li> <li>3. Adjust or replace.</li> </ol>
MACHINE ACCEPTS COINS—WILL NOT VEND ON ANY ITEM.	<ol style="list-style-type: none"> <li>1. Wrong price set on changer.</li> <li>2. Wrong price set at pricing switch.</li> <li>3. Defective changer.</li> <li>4. Wire off selector switch.</li> <li>5. Faulty selector switch.</li> </ol>	<ol style="list-style-type: none"> <li>1. Set to correct price.</li> <li>2. Set to correct price.</li> <li>3. Replace changer.</li> <li>4. Replace wire.</li> <li>5. Selection switch not making normally closed contacts. Selection would work to that point but not beyond.</li> </ol>
MACHINE ACCEPTS COINS — ONE COLUMN WILL NOT VEND.	<ol style="list-style-type: none"> <li>1. Wrong price setting at pricing switch.</li> <li>2. Wrong price set in changer.</li> <li>3. Defective changer.</li> <li>4. Defective selection switch.</li> <li>5. Defective motor hold switch.</li> <li>6. Motor coil open or loose connection.</li> <li>7. Loose wire or defective gum and mint empty switch.</li> <li>8. Spirals turn slow and sometimes blow the circuit breaker.</li> </ol>	<ol style="list-style-type: none"> <li>1. Set to correct price.</li> <li>2. Set to correct price.</li> <li>3. Replace changer.</li> <li>4. Check connections or replace switch.</li> <li>5. Replace switch.</li> <li>6. Check connections — replace motor.</li> <li>7. Check connections — replace switch.</li> <li>8. Bad diode on the pricing panel.</li> </ol>
JACKPOTTING OF ONE SELECTION — MOTOR CONTINUES TO RUN.	<ol style="list-style-type: none"> <li>1. Defective motor hold switch.</li> <li>2. Clutch action on motor failing.</li> <li>3. Defective selection switch.</li> </ol>	<ol style="list-style-type: none"> <li>1. Replace switch.</li> <li>2. Check for motor bind — correct or replace motor.</li> <li>3. Replace switch.</li> </ol>
GUM-AND-MINT MOTOR CYCLES CONTINUOUSLY.	<ol style="list-style-type: none"> <li>1. Motor hold switch stuck on.</li> </ol>	<ol style="list-style-type: none"> <li>1. Replace switch.</li> </ol>
PACK OF GUM OR MINTS PICKED UP BY EJECTOR BUT NOT DELIVERED.	<ol style="list-style-type: none"> <li>1. Defective clutch.</li> <li>2. Ejector binding.</li> </ol>	<ol style="list-style-type: none"> <li>1. Replace clutch or spring.</li> <li>2. Replace ejector or determine cause of bind.</li> </ol>

door - outside front



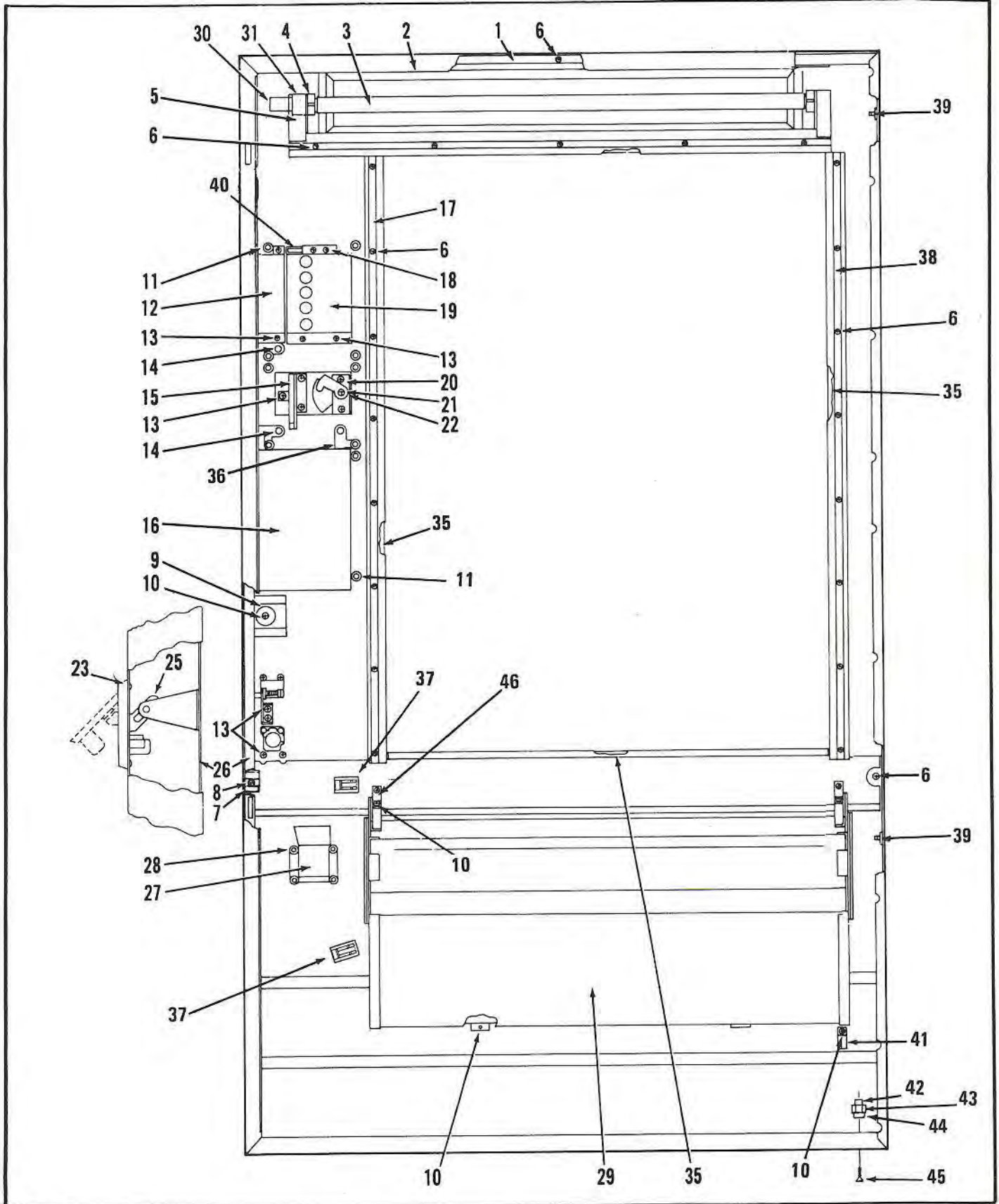
**door - outside front**

Item No.	Part No.	Description
1	200982-1	Insert, Top Trim, Snackshop
2	200070-1	Panel, Decorative Vinyl. See Page 27. Item 1.
	440006-4	Panel, Illuminated. Snackshop.
3	340044	Trim, Top. For Use w/Vinyl Insert.
4	420003-1	Screw, Flat Hd. (1/4-20 x 1/2.)
5	640107	Top. Hinge Assy.
6	340056-1	Trim, Outside Vertical. (Right & Left.)
7	340054-8	Trim, Inside Horizontal.
8	340054-6	Trim, Inside Vertical. (Right & Left).
9	340056-2	Trim, Outside Horizontal. (Top or Bottom)
10	440134	Window, Front (36-1/4 x 27 x 3/16)
11	340054-1	Trim, Inside Horizontal.
13	640108	Bottom Hinge Ass'y.
14	320011	Trim, Coin Return Cup
16	640089	Ass'y Complete. Lock Handle.
	420071	Lock, W/2 Keys, Specify Number.

Item No.	Part No.	Description
	420071-1	Lock, w/1 Key. Specify Number.
	420071-2	Lock, w/o Key. Specify Number.
18	320045	Trim. (25 selection) .
	320045-1	Trim, Main Button Panel. (30 selection)
	320045-2	Trim, Main Button Panel. (35 selection)
20	320044	Trim, Coin Instruction Plate.
21	440190	Glass, Instruction 5-10-25-1.00
	440206	Glass, Instruction 5-10-25-1.00 Out of Service
	440207	Glass, Instruction 5-10-25 Out of Service.
22	320046	Coin Return Lever.
	420083	Coin Return Lever Sleeve.
23	440132	Glass, G& M Empty Instruction.
24	320043	Trim, G&M Display.
25	440131	Glass, G&M Display.
26	660176-3	Button, G&M Selector.
27	600312	Door Only. Specify Color.



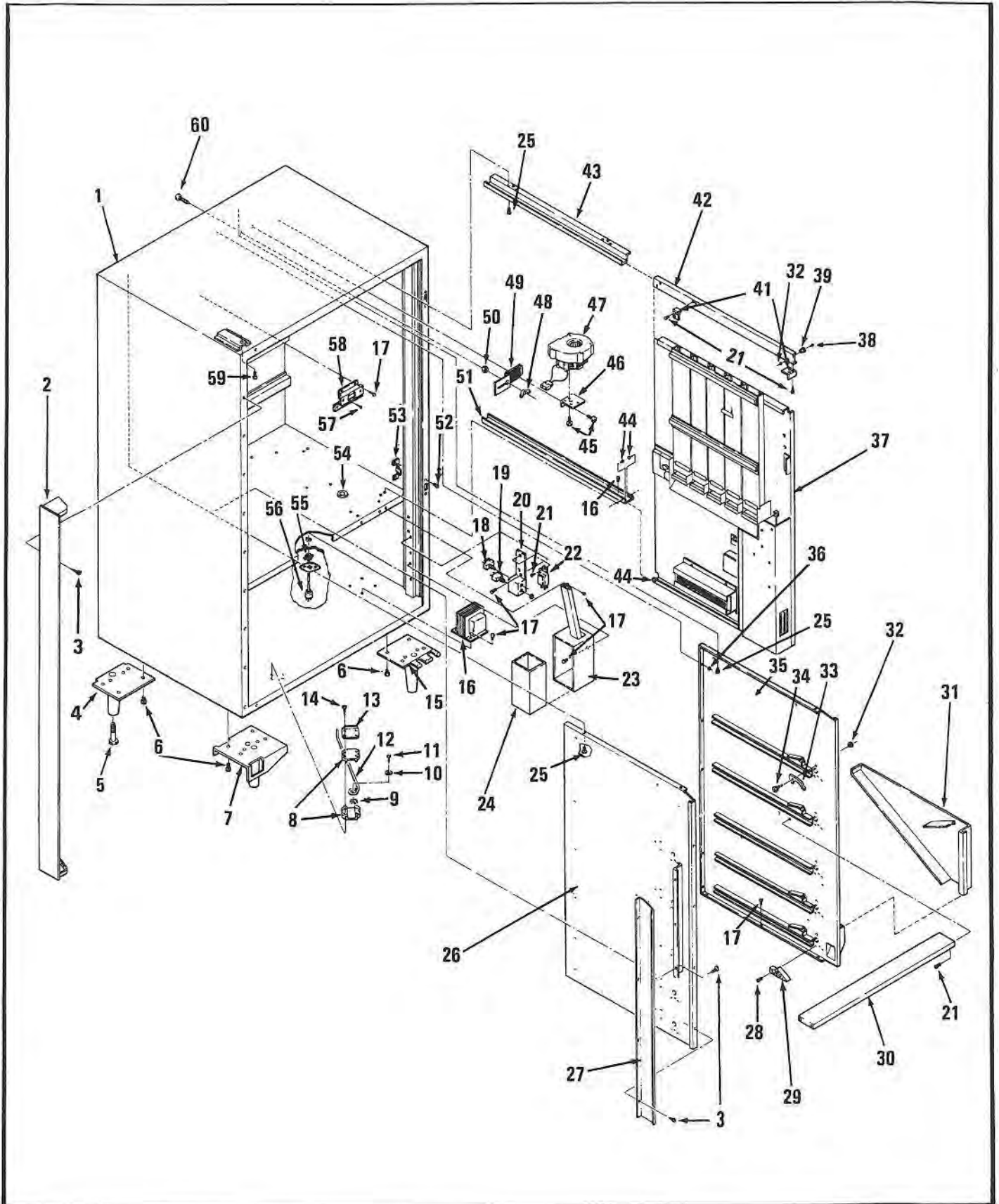
door - inside front



Item No.	Part No.	Description
1	200059-2 200895	Clamp, Illuminated Panel. Upper. Window Clamp. (Furniture Look.) Not Shown, Used With Above.
2	460041-1	Insulation, Foam. Not Shown on Drawing. (1/4 x 1/4)
3	380022	Lamp, Fluorescent. F18T8-CW-K30.
4	380047	Socket, Fluorescent Lamp.
5	660173-2 600241-2 200874	Complete Assy. Brkt. & Harness. Top Lamp & Window Brkt. Window Clamp. (Furniture Look.) Not Shown, Used With Above.
6	200-6R6 201-6R7	Screw, Trim Rd. Hd. Phillips. No. 6 x 3/8. Type A. Screw, Trim. Rd. Hd. Phillips. No. 6 x 7/16. Type B. (Not shown.) Used With Furniture Look Only.
7	200808	Bracket, Locking Bar Support.
8	201-6R10	Screw, Trim, Rd. Hd. Phillips. No. 6 x 5/8.
9	420029	Bumper, Rubber.
10	276-8R6	Screw, Pan Hd. Self Tap. No. 8-32 x 3/8.
11	420011	Palnut.
12	660174	Gum & Mint Switch Brkt. & Harness Ass'y. Complete. See page 26 for itemized parts.
13	335-8R6	Screw, Pan Hd. Phillips. Taptite. No. 8-32 x 3/8.
14	750015-1 200255 200255-1	Lamp, Neon, G & M & Correct Change. Bracket, Neon Lamp Mounting. Bracket, Neon Lamp Mounting (out of service)
15	600227	Coin Chute.
16	660179 660179-1	Main Switch Brkt. & Harness Ass'y. (See page 26 Complete. Model No. 425. } for Main Switch Brkt. & Harness Ass'y. } itemized Complete. Model No. 430. } parts

Item No.	Part No.	Description
	660179-3	Main Switch Brkt. & Harness Ass'y. Complete. Model No. 435.
17	200810	Clamp, Display Window
18	276-6-4	Screw, Pan Hd. Self Tap. No. 6-32 x 1/4.
19	750079 460170	Gum & Mint Display Box. Cushion, G & M Display Box
20	200795	Coin Extension Arm & Spring Mtg. Brkt.
21	116-8-6	Screw, Pan Hd. Mach. No. 8-32 x 3/8.
22	440175 400067	Coin Return Extension Arm. Spring, Coin Return Lever.
23	640089	Ass'y. Complete. Lock Handle.
25	200654 420010-7 420070 751-21	Cam, Lock Handle. Washer, Brass. Roller. Ring, Retaining No. 21.
26	600225	Ass'y. Door Latch Bar.
27	660008-3	Cup, Coin Return.
28	420014	Push Nut.
29	660169-1	Ass'y Delivery Bin. Complete. See page 24, for itemized parts.
30	380023	Starter. FS-25.
31	380080	Socket, Starter.
32	420062-1	Screw. Rd. Hd. Mach. No. 4-36 x 3/4.
33	680138	Lamp Harness Ass'y. Complete. Not shown.
34		Order Number of Inches Needed.
35	460150	Insulation, Rubber. (Order Number of Inches Needed.
36		Same as No. 14 but used for Out Of Service Light.
37	420096	Adhesive Back Cable Guide.
38	201040	Clamp Display Window.
39	420097	Cord Clip.
40	440173	Lock Lever.
41	420088	Metal Cable Clamp.
42	114-41-8	Screw, Hex Hd. Mach. (1/4 - 20-1/2)
43	420010-10	Washer
44	300156	Nut, Special. Door Stop Anchor.
45	420003-1 420003	Screw, Flat Hd. (1/4 - 20 - 1/2) Screw, Flat Hd. (1/4 - 20 x 3/4).
46	200906	Anchor Strap

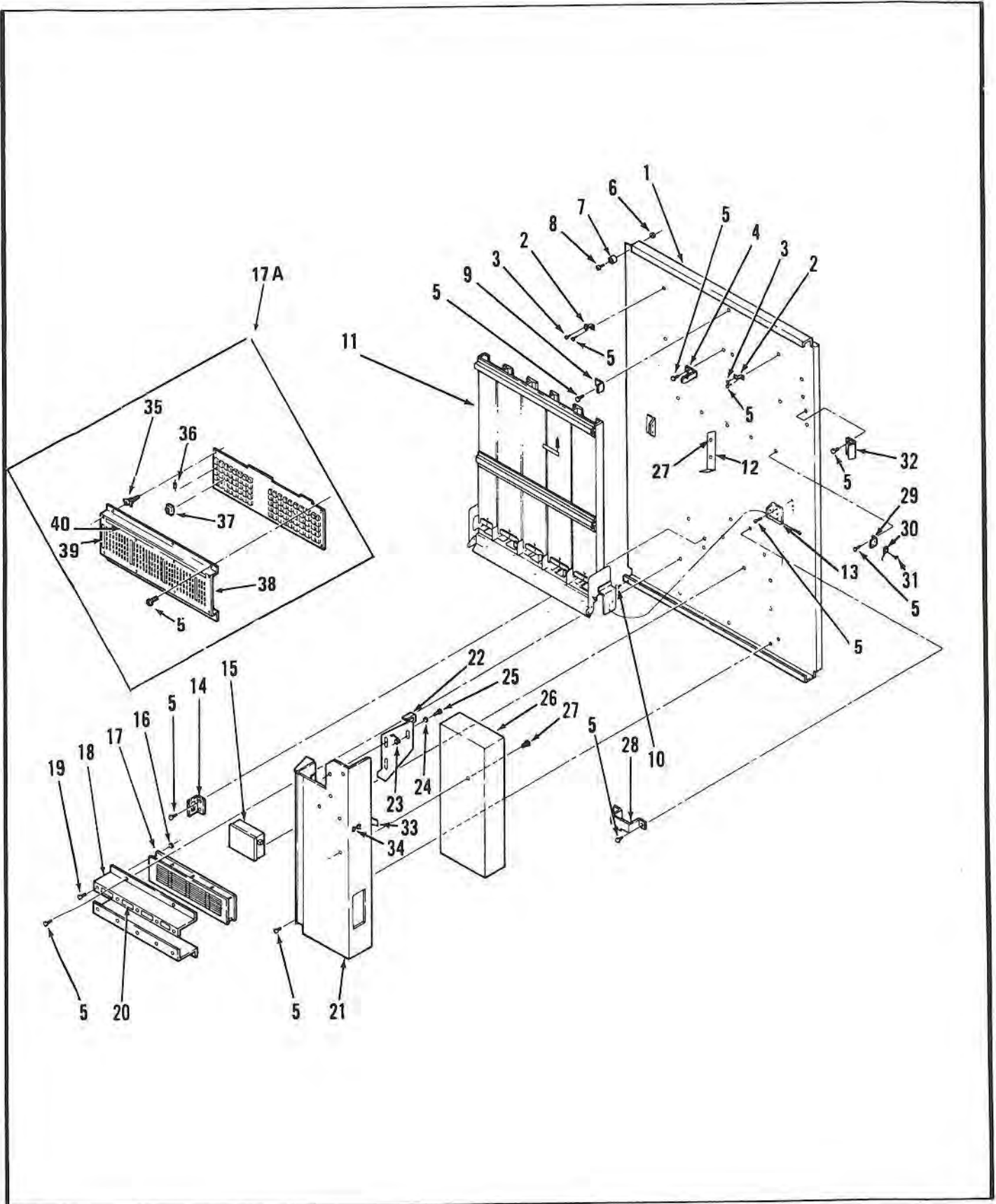
# cabinet



Item No.	Part No.	Description
1	750066	Ass'y Cabinet w/Legs. Specify Color.
2	600310	Ass'y Cabinet to Door Filler.
3	276-8R6	Screw, Pan Hd. Phillips. No. 8-32 x 3/8.
4	600195	Leg, Ass'y. Rear.
5	300103	Leg Leveler.
6	114-51-12	Screw, Hex Hd. 5/16 - 18 x 3/4.
7	600302	Leg Assembly. Front Pivot Side.
8	440204	Door Stop Friction Pad.
9	300151	Nut, Special. Door Stop Anchor.
10	420010-10	Washer.
11	114-41-8	Screw, Hex Hd. Machine (1/4 - 20 x 1/2).
12	400095	Door Stop.
13	201042	Door Stop Plate.
14	277-10R6	Screw, Pan Hd. Phillips (No. 10 - 32 x 1).
15	600197	Leg Assembly. Front Lock Side.
16	750116	Transformer. 24 volt.
17	276-8R6	Screw, Pan Hd. Phillips. No. 8-32 x 3/8.
18	380126	Toggle Switch.
19	380101-1	Circuit Breaker.
20	200852	Bracket, Circuit Breaker Mounting.
21	276-8R4	Screw, Pan Hd. Phillips. No. 8-32 x 1/4.
22	680074	Ballast.
23	600231	Assembly, Cash Box Mtg. & Chute.
24	600179	Cash Box.
25	277-10R8	Screw, Pan Hd. Phillips (No. 10-32 x 1/2)
26	600257-1	Left Side Panel Only.
	660235	Assembly, Complete. Left Side Panel.
27	201043	Extension, Left Side Panel.
28	276-8R12	Screw, Pan Hd. Phillips. No. 8-32 x 3/4.
29	440130	Front Roller Guide.
	440242	Front Roller Guide. Large.
30	200830	Spacer, Right & Left Side Panel.
31	600232	Chute, Gum & Mint.
32	437-41	Nut, Keps. (1/4 -28).
33	440161	Shelf Lock.
34	300137	Screw, Shelf Roller.
35	600215	Right Side Panel Only.
	660163-1	Assy. Complete. Right Side Panel.

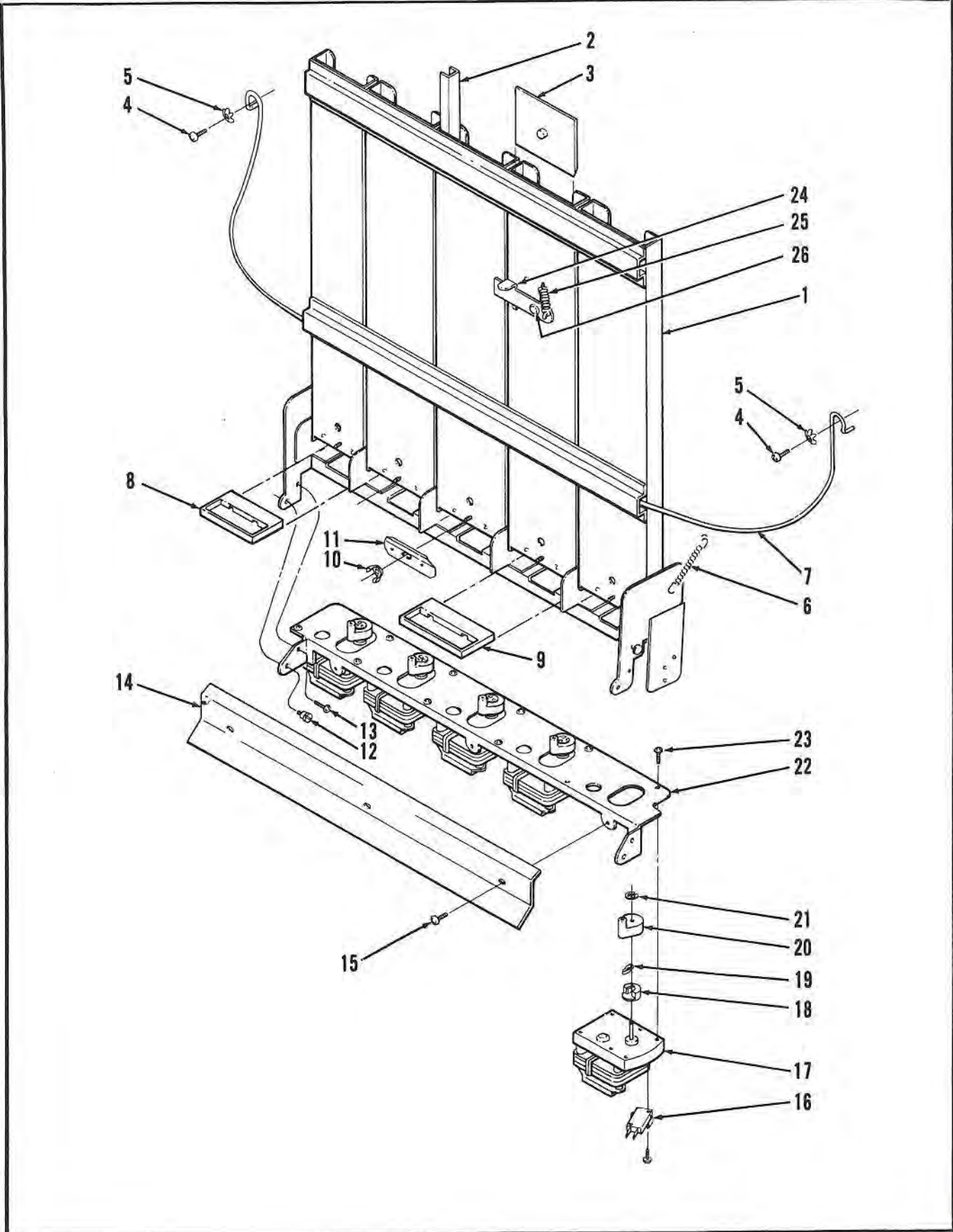
Item No.	Part No.	Description
36	404-8	Nut, Hex Hd. No. 8-32.
37		Ass'y, Complete, Sliding Panel. For Itemized Parts See Page 18.
38	300137	Screw, Roller.
39	440123	Roller
41	200816	Bracket, Roller Channel Stop.
42	200827	Gum & Mint Roller Channel Only.
	660180	Assembly, Complete. Roller Channel
43	600250-1	Bracket, Mounting. Roller Channel.
44	440023	Rivet, Nylon Glide.
45	277-10R6	Screw, Pan Hd. Phillips. (10-32 x 3/8).
46	201021	Blower Support.
47	680217	Blower. 115 Volt Only.
48	420023	Wing Nut. (8-32)
49	600305	Blower Screen Assembly.
	201022-1	Blower Cover w/o Screen. Solid
50	404-8	Nut, Hex. (8-32)
51	200836	Lower Sliding Channel Guide.
52	262-8R8	Screw, Phillips Type 23. No. 8-32 x 1/2.
53	200655	Catch Door Lock. Breakaway.
	600300	Catch Door Lock. Heavy Duty.
54	420090	Grommet, 7-7/16 Lg.
55	380052	Bushing, Strain Relief.
	201081	Line Cord Anchor Plate.
	276-8R4	Screw, Pan Hd. Self Tape Phillips (8-32 x 1/4).
56	360037-1	A.C. Line Cord. (3 conductor)
57	420089	Screw, Flat Hd. Machine. No. 6-32.
58	200835	Bracket, Receptacle Mounting.
59	164-51-7	Screw, Hex Hd. Sems. 5/16 - 18 x 7/16.
60	420006-9	Weld Screw.

# sliding panel



Item No.	Part No.	Description
1	600218-1	Panel – Sliding.
2	200815	Bracket – G & M Stack Spacer.
3	420008	Bumper.
4	200814	Catch – G & M Stack.
5	276-8R4	Screw, Pan Hd. Phillips Self Tap No. 8-32 x 1/4.
6	437-41	Nut, Keps 1/4-28.
7	440123	Roller.
8	300137	Screw, Roller.
9	200816	Bracket, Roller Channel Stop.
10	440023	Rivet, Glide.
11	See Page 20	Gum & Mint Dispensing Mechanism.
12	201011	Bracket, Motor Mount Support
13	200918	G & M Pivot Bracket.
14	200846	Bracket, Plug.
15	660210-1	Relay Box Ass'y (4 Price) See Page 25 For Itemized Parts.
	660210	Relay Box (Multiprice) See Page 25 for Itemized Parts
	660210-2	Relay Box Ass'y (10 Price) See Page 25 For Itemized Parts.
16	404-8	Nut, Hex No. 8-32.
17	660164	Ass'y Price Panel Model 435 w/Gum & Mint.
	660164-1	Ass'y Price Panel Model 430 w/Gum & Mint.
	660164-2	Ass'y Price Panel Model 425 w/Gum & Mint.
	660164-3	Ass'y Price Panel Model 435 w/o Gum & Mint.
	660164-4	Ass'y Price Panel Model 430 w/o Gum & Mint.
	660164-5	Ass'y Price Panel Model 425 w/o Gum & Mint.
17A	660187	Ass'y Price Panel, Multiprice Model 435 w/Gum and Mint.
	660187-2	Ass'y. Price Panel, Multiprice Model 430 w/Gum and Mint
	660187-4	Ass'y. Price Panel, Multiprice Model 425 w/Gum and Mint.

Item No.	Part No.	Description
18	200826	Bracket, Panel.
19	100-8-22	Screw, Round Hd. No. 8-32 x 1-3/8.
20	460158	Label – Price Lines, 1 thru 10.
	460159	Label, Selection Identification – FF thru JJ.
	460160	Label, Selection Identification – AA thru EE.
	460161	Label, Selection Identification – V thru Z.
	460162	Label, Selection Identification – G1 thru G5.
	460163	Label, Selection Identification – P thru U.
	460164	Label, Selection Identification – K thru O.
	460165	Label, Selection Identification – A thru J.
21	660184	Changer Brkt. Assy.
	600226	Bracket – Changer Mounting
22	200825	Slide, Coin Return.
23	400068	Spring, Coin Return Slide.
24	420010-9	Washer.
25	116-8-6	Screw, Pan Hd. No. 8-32 x 3/8.
26		Changer, See Changer Supplement.
27	276-8R6	Screw, Pan Hd. Phillips Self-Tap No. 8-32 x 3/8.
28	200867	Bracket, Receptical Mounting.
29	200818	Bracket, Switch.
30	660172	Assy. Switch and Bracket
	380100	Switch, G & M Empty.
31	100-4-9	Screw, Pan Hd. Self Tap 9/16.
32	200590-1	Handle.
33	200884	Latch, Changer Mtg. Brkt.
34	420000-1	Rivet.
35	420095	Support, Pricing Board Mounting (Multiprice)
36	380144	Diode (GP15J)
37	380143	Switch
38	200892	Bracket, Pricing Board Mounting (Multiprice)
39	460190	Label, Pricing (Multiprice)
40	460192	Label, Selection Identification Model 435 (Multiprice)
	460193	Label, Selection Identification Model 430 (Multiprice)
	460194	Label, Selection Identification Model 425 (Multiprice)



Item No.	Part No.	Description
1	600262	Stack only, Gum & Mint
	660193	Assembly, Gum & Mint Stack.
2	200132	Spacer, Gum & Mint Column. (2 required per column)
3	440051	Adapter Plastic for Thin Mints.
4	276-8R6	Screw Pan Head Phillips. (8-32 x 3/8")
5	420024	Washer, Star.
6	400046	Spring, Support Cable.
7	400004	Cable Support.
8	440149	Ejector, Narrow Column. Motorized Gum & Mint only.
9	440247	Ejector, Wide Column. Motorized Gum & Mint only.
10	420023	Nut, Wing.
11	200990	Adapter, Gum & Mint. New Style.
12	300150	Screw, Shoulder Motor Mount Pivot.

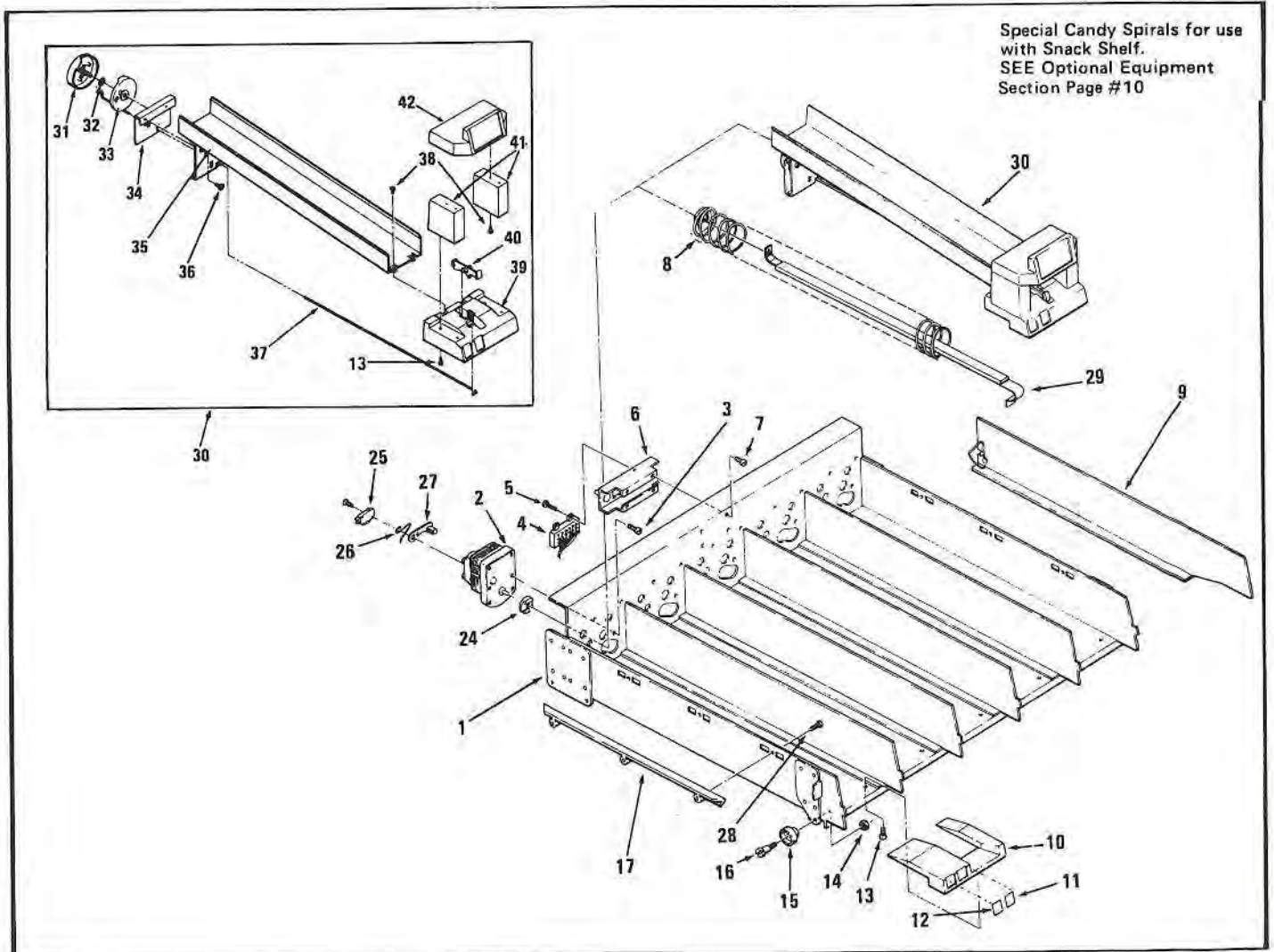
Item No.	Part No.	Description
13	277-10R6	Screw, Pan Head Phillips (10-32 x 3/8")
14	200921	Deflector Gum & Mint
15	276-8R6	Screw, Pan Head Phillips. (8-32 x 1/2")
16	380070	Switch.
17	360065	Assembly Complete, Gum & Mint Motor. 24 Volt.
18	440150	Clutch Post.
19	400079	Spring, Gum & Mint Motor Clutch.
20	440151	Clutch, Head Crank.
21	751-21	Ring, Retaining (#21)
22	200917	Motor Mount. Gum & Mint.
23	335-8R6	Screw, Pan Head Tap Tite, Phillips. (8-32 x 3/8")
24	200131	Latch Gum and Mint Stack
25	400020	Spring, Column Latch
26	300043	Rivet



# product shelves

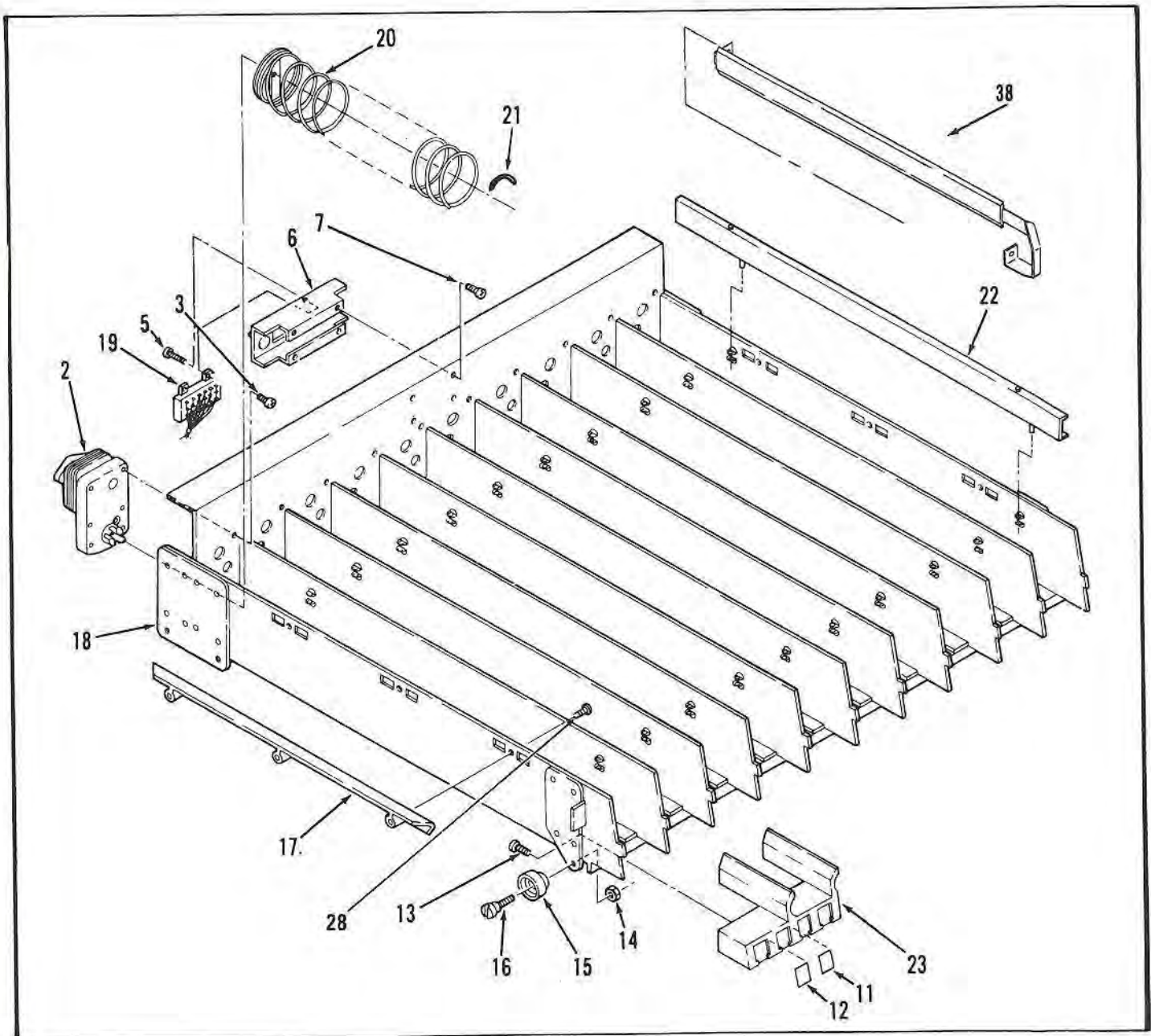
Item No.	Part No.	Description
	750064	Snack Shelf Ass'y. Complete W/O Delivery Spirals.
	750064-1	Snack Shelf Ass'y Complete W/O Delivery Spirals. (Multiprice)
	750065	Candy Shelf Ass'y Complete W/O Delivery Spirals.
	750065-1	Candy Shelf Ass'y Complete W/O Delivery Spirals. (Multiprice)
1	600240	Snack Shelf.
2	360056	Vend Motor Ass'y. Complete
3	335-8R6	Screw, Pan Hd. Phillips, Taptite. No. 8-32 x 3/8.
4	680128	Snack Shelf Harness Ass'y. Complete.
	680149	Snack Shelf Harness Ass'y. Multiprice.
5	420089	Screw, 100° Flat Hd. No. 3-32 x 3/8.
6	600246	Plug Mounting Bracket
7	276-8R4	Screw, Pan H. Phillips, Self Tap. No. 8-32 x 1/4.
8	600206	15 Space Snack Spiral.
	600206-1	12 Space Snack Spiral.
	600206-2	10 Space Snack Spiral.
	600206-3	7 Space Snack Spiral.
9	640101	Spacer, Snack Shelf.
10	440128	Price & Selection Tab Holder.

Item No.	Part No.	Description
11	460155	Price Tabs. 5¢ - 1.50.
	460155-1	Price Tabs. Sheet of 100. 20¢ and 25¢.
	460155-2	Price Tabs. Sheet of 100. 30¢ and 35¢.
	460155-3	Price Tabs. Sheet of 100. 40¢ and 45¢.
	460155-4	Price Tabs. Sheet of 100. 50¢ and 55¢.
	460155-5	Price Tabs. Sheet of 100. 60¢ and 65¢.
	460155-6	Price Tabs. Sheet of 100. 70¢ and 75¢.
	460155-7	Price Tabs. Sheet of 100. 80¢ and 85¢.
	460155-8	Price Tabs. Sheet of 100. 90¢ and 95¢.
	460155-9	Price Tabs. Sheet of 100. \$1.00 and \$1.05.
	460155-10	Price Tabs. Sheet of 100. \$1.10 and \$1.15.
	460155-11	Price Tabs. Sheet of 100. \$1.20 and \$1.25.
12	460154	Item Tabs. A-JJ.
13	305-8R6	Screw, Pan Hd. Phillips, Plastite. No.8-16 x 3/8.
14	437-41	Nut, Keps. 1/4-28.
15	440123	Roller, Shelf.
16	300137	Screw, Shelf Roller.
17	440126	Shelf Guide.
18	600239	Candy Shelf.
19	680129	Candy Shelf Harness. Ass'y. Complete. 4 or 10 Price.
	680150	Candy Shelf Harness. Ass'y. Complete. Multiprice.



Item No.	Part No.	Description
20	600205	24 Space Candy Spiral.
	600205-1	18 Space Candy Spiral.
	600205-2	15 Space Candy Spiral.
	600205-3	12 Space Candy Spiral.
	600205-4	30 Space Candy Spiral.
	600266-1	G & M Spiral.
	600306	Spiral Guide
21	440141	Candy Product Pusher.
22	660178	Candy Spacer Ass'y.
23	440127	Price & Selection Tab Holder.
24	440125	Spiral Retainer. Only.
25	380160	Switch. Only.
26	400072	Spring.
27	320050	Brake, Die Cast.
28	420092	Screw, Drive #8-Type LL

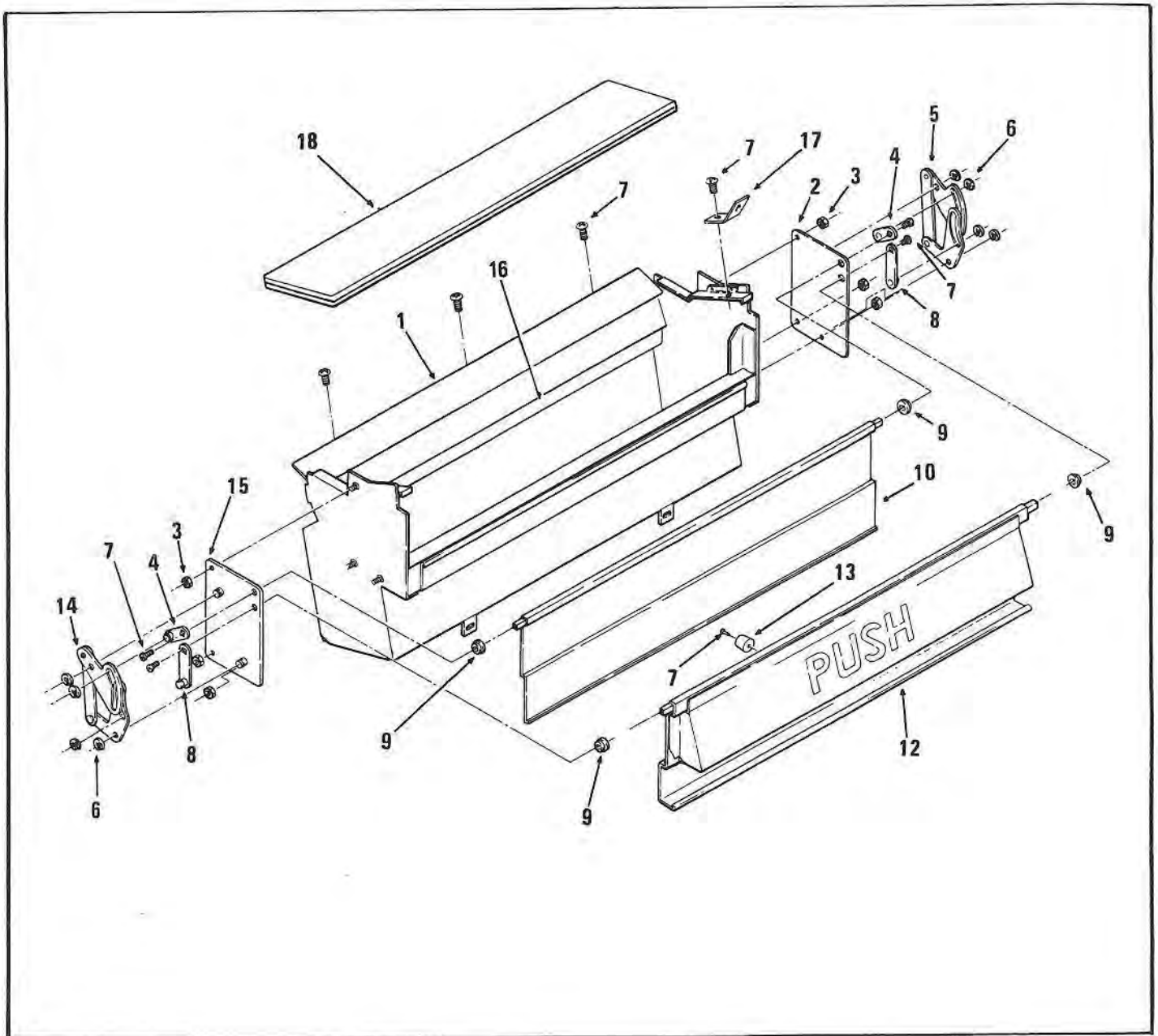
Item No.	Part No.	Description
29	660191	Product Rail Ass'y. For use w/Candy Spiral.
	660191-1	Product Rail Ass'y. For use w/Snack Spiral.
30	750083	Kit, Can Dispenser Ass'y.
31	440201	Drive Cam. Rear.
32	751-31	Retaining Ring. #31.
33	440200	Drive Cam. Front.
34	640109	Cam, Mounting Brkt. & Spring Ass'y.
35	600308	Can Dispenser. Trough Only.
36	300034	Shoulder Screw.
37	400094	Actuator Wire.
38	660296	Product Guide. For use w/small thin items.
39	440196	Price and Selection Trim.
40	440199	Stop Lever.
41	440198	Leg, Top Can Guide & Sign Trim.
42	440197	Top, Can Guide & Sign Trim.



# delivery bin

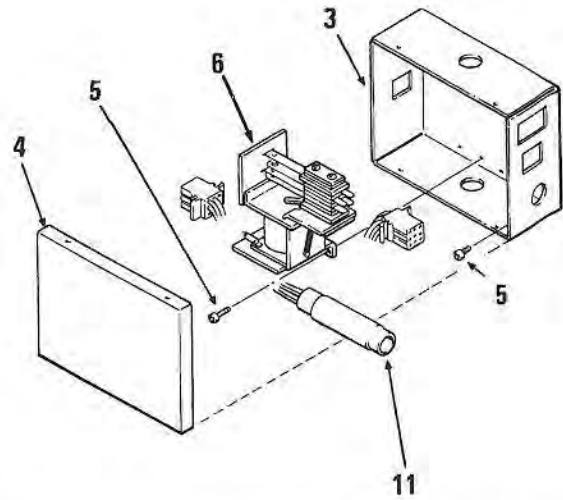
Item No.	Part No.	Description
	660169-1	Delivery Bin Ass'y. Complete.
1	600259-1	Deliver Bin.
2	640099	Arm Mounting Bracket (Lock Side)
3	438-8	Nut, Keps. No. 8-32
4	640098	Inner Door Bin Arm.
5	640100	Bin Door Drive Ass'y. (Lock Side)
6	751-37	Retaining Ring No. 37
7	276-8R6	Screw, Pan Hd. Phillips. Self Tap. No. 8-32 x 3/8.
8	640097	Door Drive Arm.

Item No.	Part No.	Description
9	440129	Door Bearing.
10	200763	Inner Door.
12	600258	Door, Delivery Bin.
13	420029	Rubber Bumper
14	640100-1	Bin Door Drive Ass'y. (Pivot Side)
15	640099-1	Arm Mounting Bracket. (Pivot Side)
16	200902	Baffle, Rear Delivery Bin.
17	200906	Delivery Bin Anchor Strap
18	660238	Delivery Bin Pad Assy. For Can Dispenser.

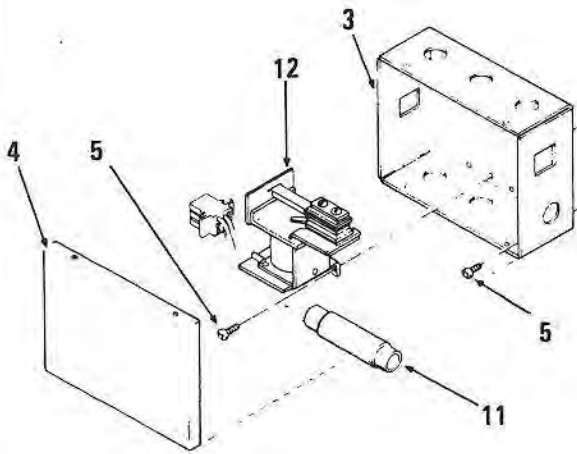


Item No.	Part No.	Description
1	380170-2	Relay (4 Price).
2	420040-2	Bushing.
3	200840	Box - Relay.
4	200841	Cover - Relay Box.
5	276-8R4	Screw, Pan Hd. Phillips Self Tap No. 8-32 x 1/4.
6	380170-1	Relay (10 Price).
8	380134	Socket with Clip - Relay.
11	660189-1	Time Delay Pack.
12	380170	Relay Multiprice.

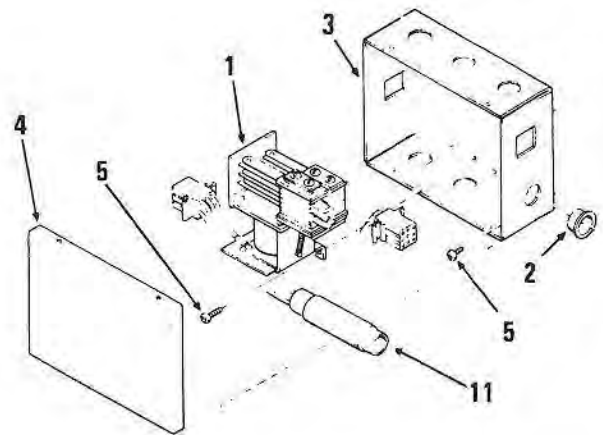
**TEN PRICE RELAY BOX ASSEMBLY COMPLETE**  
PART NO. 660210-2



**MULTIPRICE RELAY BOX ASSEMBLY COMPLETE**  
PART NO. 660210



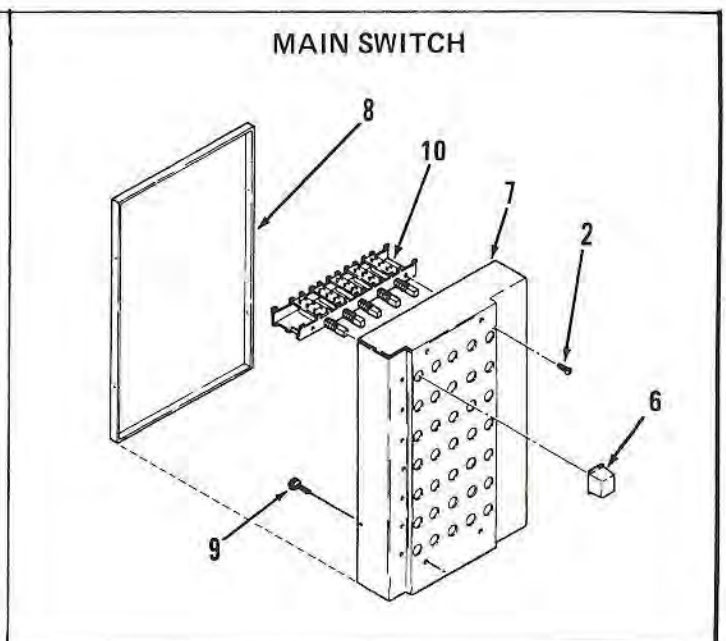
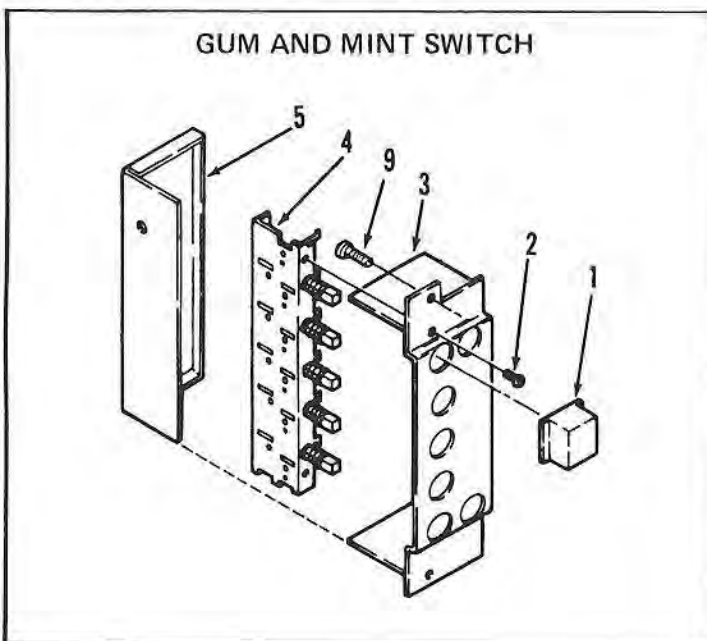
**FOUR PRICE RELAY BOX ASSEMBLY COMPLETE**  
PART NO. 660210-1



## selection switches

Item No.	Part No.	Description
	660174	Gum & Mint Switch Bracket & Harness Assembly
	660179	Main Switch Bracket & Harness Assembly Complete for Model 425
	660179-1	Main Switch Bracket & Harness Assembly Complete for Model 430
	660179-3	Main Switch Bracket & Harness Assembly Complete for Model 435
1	660176-3	Button, G & M Selector.
2	100-4-5	Screw, Round Hd. No. 4-40 x 5/16.
3	200803	Switch Bracket -- G & M.

Item No.	Part No.	Description
4	750085-1	Switch — Push Button. G&M.
5	200804	Cover — G & M Switch Bracket.
6	660176	Button Ass'y Set (A-Z, 25 Selection.)
	660176-1	Button Ass'y Set (A-EE, 30 Selection.)
	660176-2	Button Ass'y Set (A-JJ, 35 Selection.)
7	200805	Switch Bracket — Main.
8	200806	Cover — Main Switch Bracket.
9	335-8R6	Screw, Pan Hd. Tap Tite, 8-32 x 3/8.
10	750085	Switch, Push Button Main Product.



## electrical harnesses

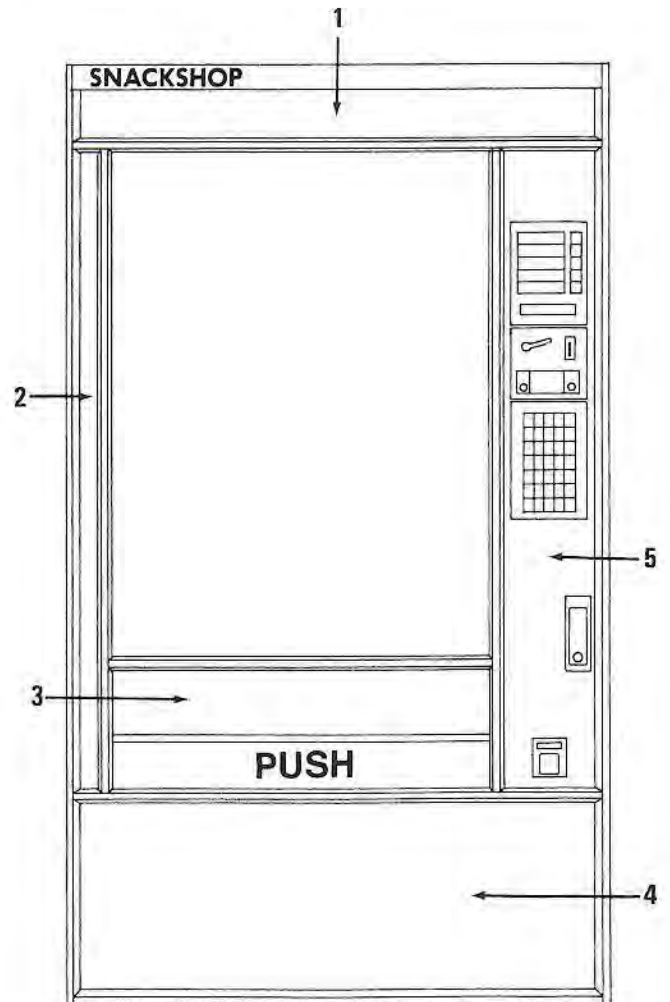
Part No.	Description
360037-1	Power Cord
680119	Price Setting Switch Harness
680229	Door Harness with Gum & Mint
680153	Door Harness with Gum & Mint (Multiprice only)
680231	Cabinet Back Harness
680151	Cabinet Back Harness (Multiprice only)
680128	5 Selection Shelf Harness
680149	5 Selection Shelf Harness (Multiprice only)
680129	10 Selection Shelf Harness
680150	10 Selection Shelf Harness (Multiprice only)
680130-1	Relay Box to Changer 4 Price
680170	Gum & Mint Panel Harness

Part No.	Description
680169	Gum & Mint Panel Harness (Multiprice only)
680133	Relay Box Harness 4 Price
680157	Under Shelf Harness
680157	Under Shelf Harness (Multiprice only)
680135	Panel Harness Without Gum & Mint
680155	Panel Harness Without Gum & Mint (Multiprice only)
680136-1	Relay Box to Changer 10 Price
680137	Relay Box Harness 10 Price
680138	Lamp Harness Assembly
680139-2	Light Cord Harness-Cabinet & Door
680230-1	Door Harness w/o Gum & Mint.
680154	Door Harness w/o Gum & Mint (Multiprice only)

## door - a.p. style - panels

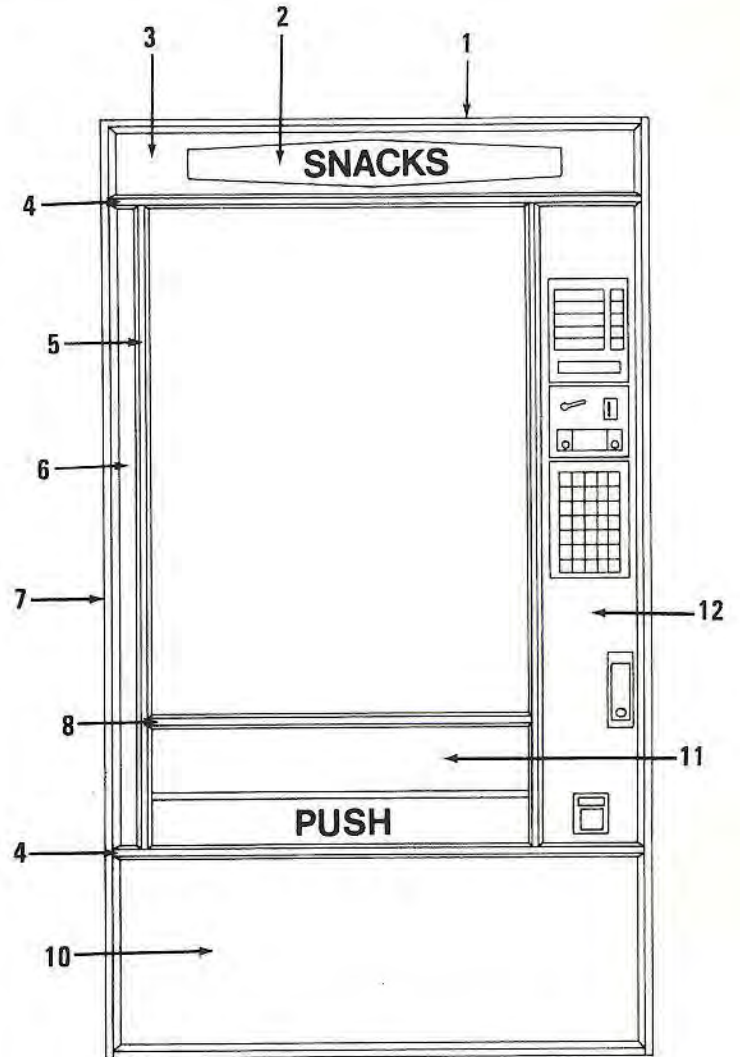
Item No.	Part No.	Description
1	200070-1	PLATE, COVER UP.
	200070-3	Painted, Specify Color.
	200070-4	Presidential Walnut Vinyl.
	200070-5	HoneyTone Teak Vinyl.
	200070-6	Spanish Oak Vinyl.
	200070-7	Regency Walnut Vinyl.
	200070-8	Imperial Rosewood Vinyl.
	200070-14	Kashmire Walnut Vinyl.
	200161-2	Hobnail Gold.
2		PANEL, LEFT SIDE VERTICAL.
	200792-16	Painted. Specify Color.
	200792	Presidential Walnut Vinyl.
	200792-2	Imperial Rosewood Vinyl.
	200792-3	Spanish Oak Vinyl.
	200792-4	HoneyTone Teak Vinyl.
	200792-5	Regency Walnut Vinyl.
200792-6	Kashmire Walnut Vinyl.	
3		PANEL, DELIVERY TRAY.
	200793-1	Painted, Specify Color.
	200793-2	Presidential Walnut Vinyl.
	200793-3	Imperial Rosewood Vinyl.
	200793-4	Spanish Oak Vinyl.
	200793-5	HoneyTone Teak Vinyl.
	200793-6	Regency Walnut Vinyl.
200793-7	Kashmire Walnut Vinyl.	
4		PANEL, LOWER HORIZONTAL.
	200296-8	Painted. Specify Color.
	200296	Imperial Rosewood Vinyl.
	200296-1	Presidential Walnut Vinyl.
	200296-5	Spanish Oak Vinyl.
	200296-6	HoneyTone Teak Vinyl.
	200296-7	Regency Walnut Vinyl.
		THE FOLLOWING PANELS ARE USED ON MACHINES THAT HAVE "NO" LOWER HORIZONTAL TRIM.
	200720	Painted. Specify Color.
	200720-2	Presidential Walnut Vinyl.
	200720-4	Imperial Rosewood Vinyl.
	200720-6	Spanish Oak Vinyl.
	200720-8	HoneyTone Teak Vinyl.
	200720-10	Regency Walnut Vinyl.
	200720-12	Kashmire Walnut Vinyl.

Item No.	Part No.	Description
5		PANEL, RIGHT SIDE VERTICAL.
	200794	W/G & M. Presidential Walnut Vinyl.
	200794-1	W/O G & M. Presidential Walnut Vinyl.
	200794-2	W/G & M. Painted. Specify Color.
	200794-3	W/O G & M. Painted. Specify Color.
	200794-4	W/G & M. Imperial Rosewood Vinyl.
	200794-5	W/O G & M. Imperial Rosewood Vinyl.
	200794-6	W/G & M. Spanish Oak Vinyl.
	200794-7	W/O G & M. Spanish Oak Vinyl.
	200794-8	W/G & M. HoneyTone Teak Vinyl.
	200794-9	W/O G & M. HoneyTone Teak Vinyl.
	200794-10	W/G & M. Regency Walnut Vinyl.
	200794-11	W/O G & M. Regency Walnut Vinyl.
	200794-12	W/G & M. Kashmire Walnut Vinyl.
200794-13	W/O G & M. Kashmire Walnut Vinyl.	

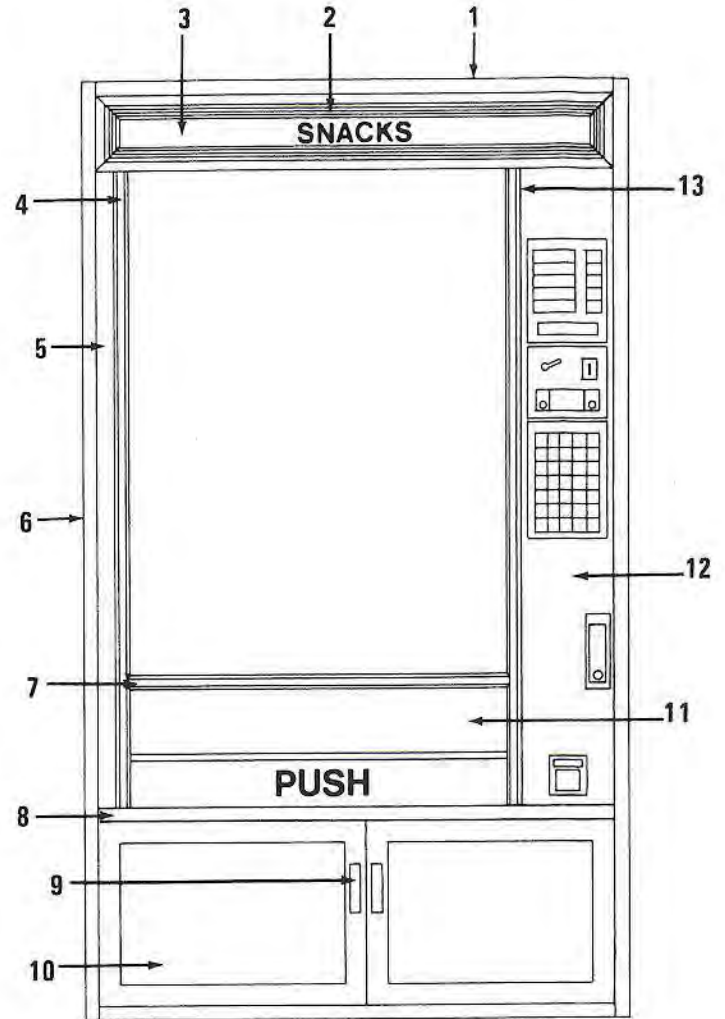


# crown style

Item No.	Part No.	Description
1	340056-2	Trim, Outside Horizontal. Top and Bottom.
2	440028-3	Panel, Illuminated. National Style. Snacks.
3	200161	Panel, Decorative. Hobnail Gold.
4	340054-8	Trim, Inside Horizontal.
5	340054-6	Trim, Inside Vertical. Right and Left.
6	200792	Panel, Left Side Vertical. Presidential Walnut.
7	340056-1	Trim, Outside Vertical. Right and Left.
8	340054-1	Trim, Inside Horizontal.
10	200296-1	Panel, Lower Horizontal. Presidential Walnut.
11	200793-2	Panel, Delivery Tray. Presidential Walnut.
12	200794	Panel, Right Side Vertical. W/G&M. Presidential Walnut
	200794-1	Panel, Right Side Vertical. Wo/G&M. Presidential Walnut.



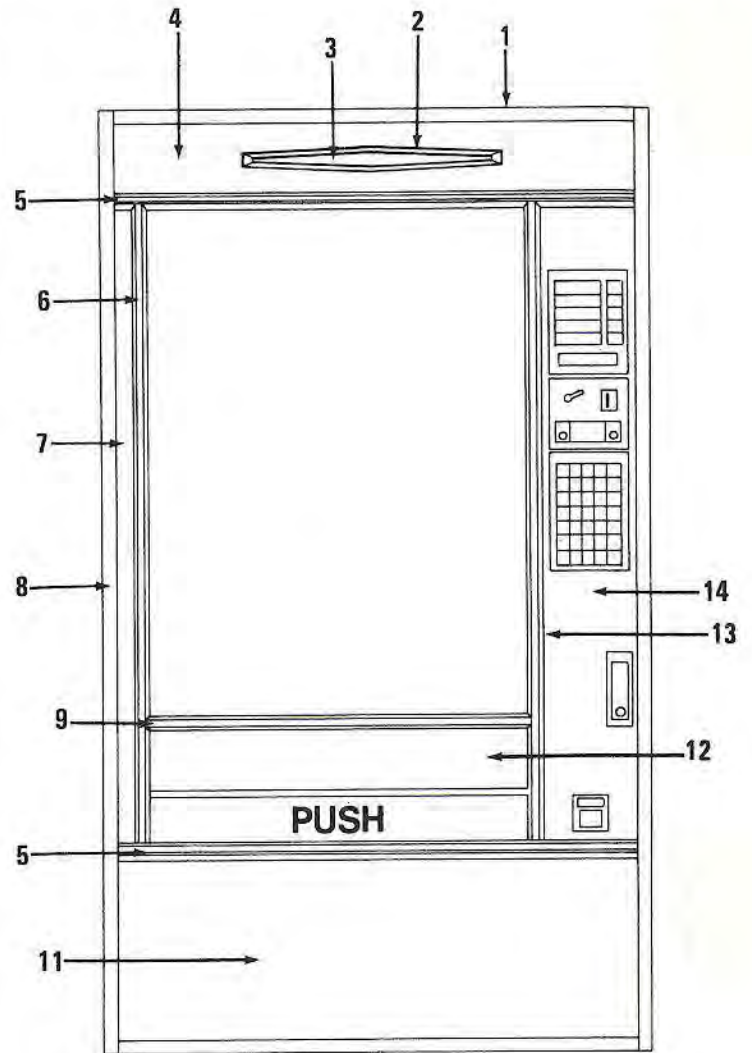
Item No.	Part No.	Description
1	340055-1	Trim, Outside Horizontal. Top and Bottom. Bronze.
2	440069	Plastic, Frame. Furniture Style.
3	440075-3	Panel, Illuminated. Furniture Style. Snacks.
4	340054-3	Trim, Inside Vertical. Bronze. (Pivot Side)
5	200792	Panel, Left Side Vertical. Presidential Walnut.
6	340055-11	Trim, Outside Vertical. Bronze. (Right and Left)
7	340054-4	Trim, Inside Horizontal. Bronze.
8	340013-12	Trim, Inside Horizontal. Bronze.
9	660105	Handle, Decorative.
	217-6-3	Screw, Decorative Handle Mounting.
10	200684	Panel, Lower Horizontal. Furniture Style.
11	200793-2	Panel, Delivery Tray. Presidential Walnut.
12	200794	Panel, Right Side Vertical. W/G&M. Presidential Walnut.
	200794-1	Panel, Right Side Vertical. Wo/G&M. Presidential Walnut.
13	340054-2	Trim, Inside Vertical. Bronze. (Lock Side).



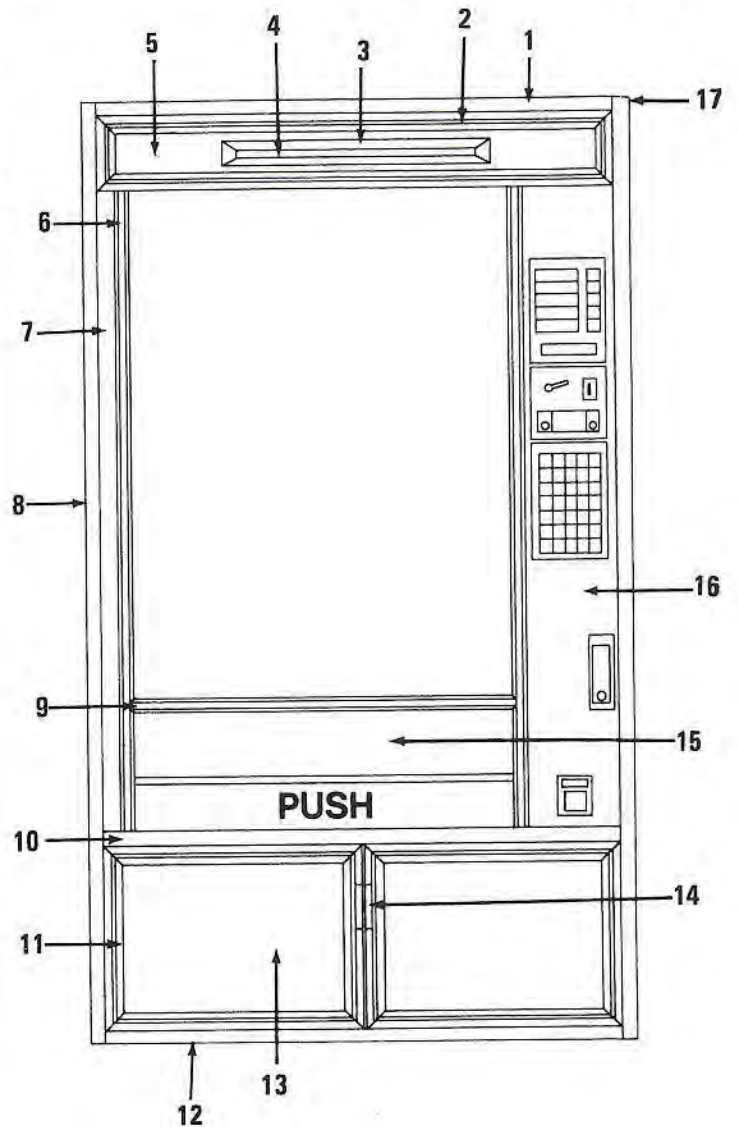


# imperial style

Item No.	Part No.	Description
1	660231-3	Trim, Outside Horizontal. (Top & Bottom) w/Black Stripe.
	750104	Kit, Complete, Cover up Plate.
2	440159	Frame, Plastic.
	211-8R4	Screw, Truss Hd. Phillips. Type B. (8 x 1/4).
3	440154	Panel, Insert.
4	200922	Panel, Decorative. Presidential Walnut.
5	660231-15	Trim, Inside Horizontal.
6	340054-5	Trim, Inside Vertical. (Pivot Side)
7	200792	Panel, Left Side Vertical. Presidential Walnut.
	660216-4	Panel, Left Side Vertical. Burlap.
8	340055-10	Trim, Outside Vertical. (Right and Left)
9	340054-1	Trim, Inside Horizontal.
11	200296-1	Panel, Lower Horizontal. Presidential Walnut.
12	200793-2	Panel, Delivery Tray. Presidential Walnut.
13	340054-7	Trim, Inside Vertical. (Lock Side)
14	200794	Panel, Right Side Vertical. W/Gum & Mint. Presidential Walnut
	200794-1	Panel, Right Side Vertical. Wo/Gum & Mint. Presidential Walnut.
	660217-5	Panel, Right Side Vertical. W/Gum & Mint. Burlap.
	660217-6	Panel, Right Side Vertical. Wo/Gum & Mint. Burlap.



Item No.	Part No.	Description
1	660231-1	Trim, Top. Bronze.
2	440168	Frame, Top Trim.
3	440169	Frame, Top Inner.
4	440174	Frame, Top Inner Insert.
5	660226	Panel, Decorative Ass'y. (Cane)
6	340054-22	Trim, Inside Vertical. Bronze. Right and Left.
7	200792	Panel, Left Side Vertical. Presidential Walnut.
8	340055-11	Trim, Outside Vertical. Bronze. Right and Left.
9	340054-4	Trim, Inside Horizontal. Bronze.
10	660231-1	Trim, Inside Horizontal. Bronze.
11	440170	Frame, Bottom.
	201-6R5	Screw Rd. Hd. Phillips (6-18 x 5/16)
	211-6R6	Screw Truss Hd. Type B (#6-18)
	201-6R7	Screw, Rd. Hd. Phillips (6-18 x 7/16)
12	660231-1	Trim, Bottom. Bronze.
13	660227	Panel, Lower Horizontal. (Cane)
14	460237	Handle Decal.
15	200793-2	Panel, Delivery Tray. Presidential Walnut.
16	200794	Panel, Right Side Vertical. W/G&M. Presidential Walnut.
	200794-1	Panel, Right Side Vertical. Wo/G&M. Presidential Walnut.
17	600303-3	Door Only. Specify Color.

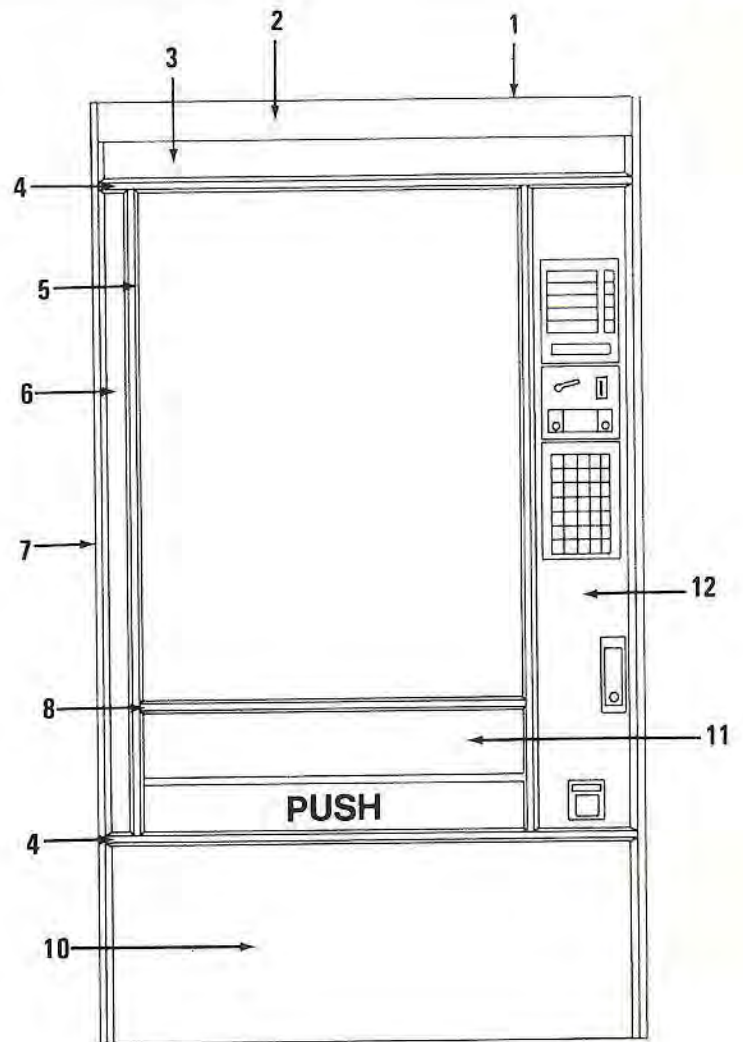


# award style

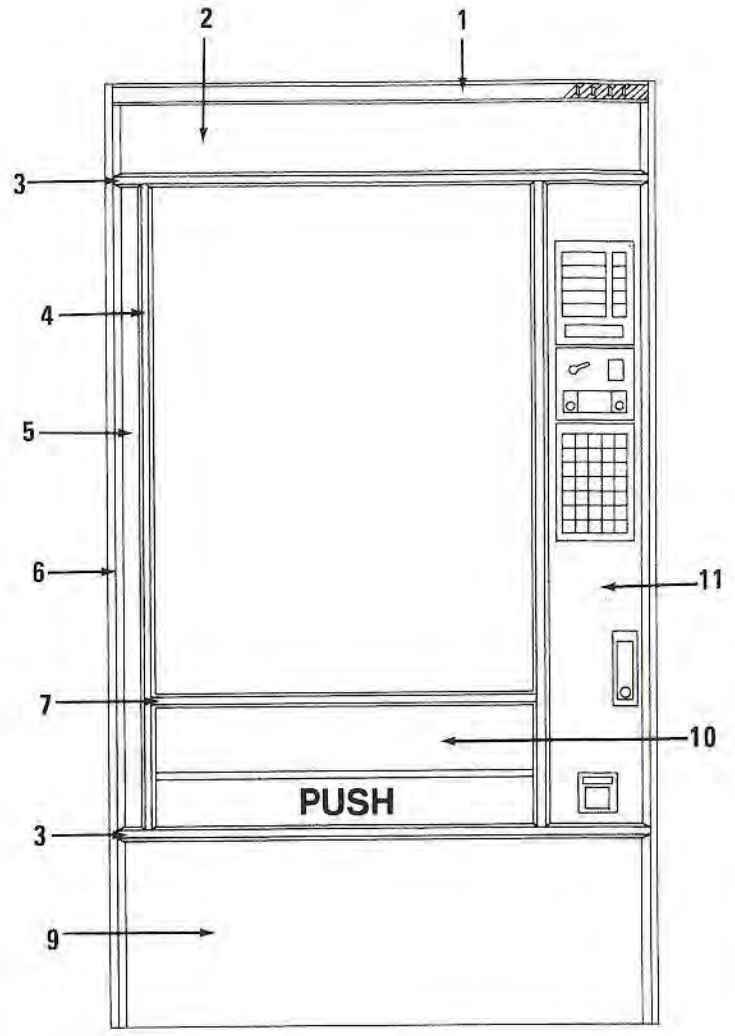
Item No.	Part No.	Description
1	340042	Trim, Top Only.
2	200526	Vinyl, Insert. Top Trim. Imperial Rosewood.
3	200526-2	Vinyl, Insert. Top Trim. Presidential Walnut.
4	200070-4	Plate, Cover Up. Presidential Walnut.
4	200070-8	Plate, Cover Up. Imperial Rosewood.
4	340054-9	Trim, Inside Horizontal. Black.
5	340054	Trim, Inside Vertical. Black. Right & Left.
6	200792	Panel, Vinyl. Left Side Vertical. Presidential Walnut.
6	200792-2	Panel, Vinyl. Left Side Vertical. Imperial Rosewood.
7	660231-13	Trim, Outside Vertical. W/Black Stripe. Right and Left.
8	340054-10	Trim, Inside Horizontal. Black.
10	200720-2	Panel, Lower Horizontal. Presidential Walnut.
10	200720-4	Panel, Lower Horizontal. Imperial Rosewood.
11	200793-2	Panel, Delivery Tray. Presidential Walnut.
11	200793-3	Panel, Delivery Tray. Imperial Rosewood.
12	200794-2	Panel, Right Side Vertical. W/G&M. Painted. Specify Color.
12	200794-3	Panel, Right Side Vertical. Wo/G/M. Painted. Specify Color.

# wheatstone style

1	340042-3	Trim, Top Only.
2	660220	Vinyl, Insert. Top Trim. Wheatstone.
3	660221	Plate Cover Up. Top Trim. Bronze.
4	340054-25	Trim, Horizontal.
5	340054-26	Trim, Inside Vertical. Left and Right.
6	660216-1	Panel, Left Side Vertical. Bronze.
7	340055-11	Trim, Outside Vertical. Left and Right.
8	340054-4	Trim, Inside Horizontal.
10	660218	Panel, Lower Horizontal. Wheatstone.
11	660219	Panel, Delivery Tray. Bronze.
12	660217-1	Panel, Right Side Vertical. W/Gum & Mint. Bronze.
12	660217-2	Panel, Right Side Vertical. Wo/Gum and Mint. Bronze.



Item No.	Part No.	Description
1	340040	Trim, Top Only.
2	200070-3	Plate, Cover Up. Painted. Specify Color.
	200070-4	Plate, Cover Up. Presidential Walnut.
	200070-5	Plate, Cover Up. Honeytone Teak.
	200070-6	Plate, Cover Up. Spanish Oak.
	200070-7	Plate, Cover Up. Regency Walnut.
	3	340054-8
4	340054-6	Trim, Inside Vertical. Right and Left.
5	200792-16	Panel, Left Side Vertical. Specify Color.
	200792	Panel, Left Side Vertical. Presidential Walnut.
	200792-3	Panel, Left Side Vertical. Spanish Oak.
	200792-4	Panel, Left Side Vertical. Honeytone Teak.
	200792-5	Panel, Left Side Vertical. Regency Walnut.
6	340056-1	Trim, Outside Vertical. Right and Left.
7	340054-1	Trim, Inside Horizontal.
9	200720	Panel, Lower Horizontal. Painted. Specify Color.
	200720-2	Panel, Lower Horizontal. Presidential Walnut.
	200720-6	Panel, Lower Horizontal. Spanish Oak.
	200720-8	Panel, Lower Horizontal. Honeytone Teak.
	200720-10	Panel, Lower Horizontal. Regency Walnut.
10	200793-1	Panel, Delivery Tray. Painted. Specify Color.
	200793-2	Panel, Delivery Tray. Presidential Walnut.
	200793-4	Panel, Delivery Tray. Spanish Oak.
	200793-5	Panel, Delivery Tray. Honeytone Teak.
	200793-6	Panel, Delivery Tray. Regency Walnut.
	200794	Panel, Right Side Vertical. W/G&M, Presidential Walnut.
200794-1	Panel, Right Side Vertical. Wo/G&M. Presidential Walnut.	
200794-2	Panel, Right Side Vertical. W/G&M. Painted. Specify Color.	
200794-3	Panel, Right Side Vertical. Wo/G&M. Painted. Specify Color.	
200794-6	Panel, Right Side, Vertical. W/G&M. Spanish Oak.	
200794-7	Panel, Right Side, Vertical. Wo/G&M. Spanish Oak.	
200794-8	Panel, Right Side Vertical. W/G&M. Honeytone Teak.	
200794-9	Panel, Right Side Vertical. Wo/G&M. Honeytone Teak.	
200794-10	Panel, Right Side Vertical. W/G&M. Regency Walnut.	
200794-11	Panel, Right Side Vertical. Wo/G&M. Regency Walnut.	



# connectors



**CABLE TIE**  
460044



**MOUNTING TYPE  
CABLE TIE**  
380078



**ADHESIVE BACKED  
CORD CLIP**  
420097



**IN LINE CONNECTOR**  
380021



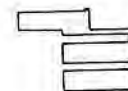
**TERMINAL  
QUICK DISCONNECT**  
3/16" - 380001  
1/4" - 380003  
5/32" - 380086



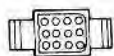
**TERMINAL  
MOLEX RECEPTACLE**  
LARGE 380004  
SMALL 380129



**TERMINAL  
MOLEX PLUG**  
LARGE 380005  
SMALL 380130



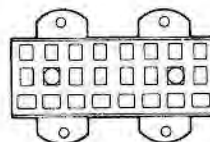
**QUICK DISCONNECT  
FOR SWITCHES**  
380075



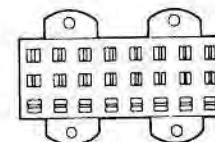
**MOLEX PLUG**  
2 PIN - 380102  
3 PIN - 380034  
6 PIN - 380106  
9 PIN - 380108  
12 PIN - 380110  
15 PIN - 380112  
36 PIN - 380114



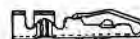
**MOLEX RECEPTACLE**  
2 PIN - 380103  
3 PIN - 380035  
6 PIN - 380107  
9 PIN - 380109  
12 PIN - 380111  
15 PIN - 380113  
36 PIN - 380115



**MAIN PRODUCT SHELF  
RECEPTACLE - 380099**



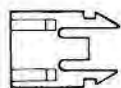
**MAIN PRODUCT SHELF  
PLUG - 380098**



**EDGE CONNECTOR  
TERMINAL 380139**



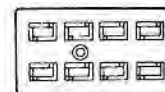
**METAL CABLE CLAMP**  
420088



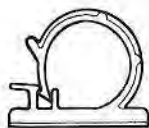
**POLARIZING KEY**  
380140



**DUAL EDGE CONNECTOR**  
22 DUAL POSITIONS 380141  
8 DUAL POSITIONS 380141-1

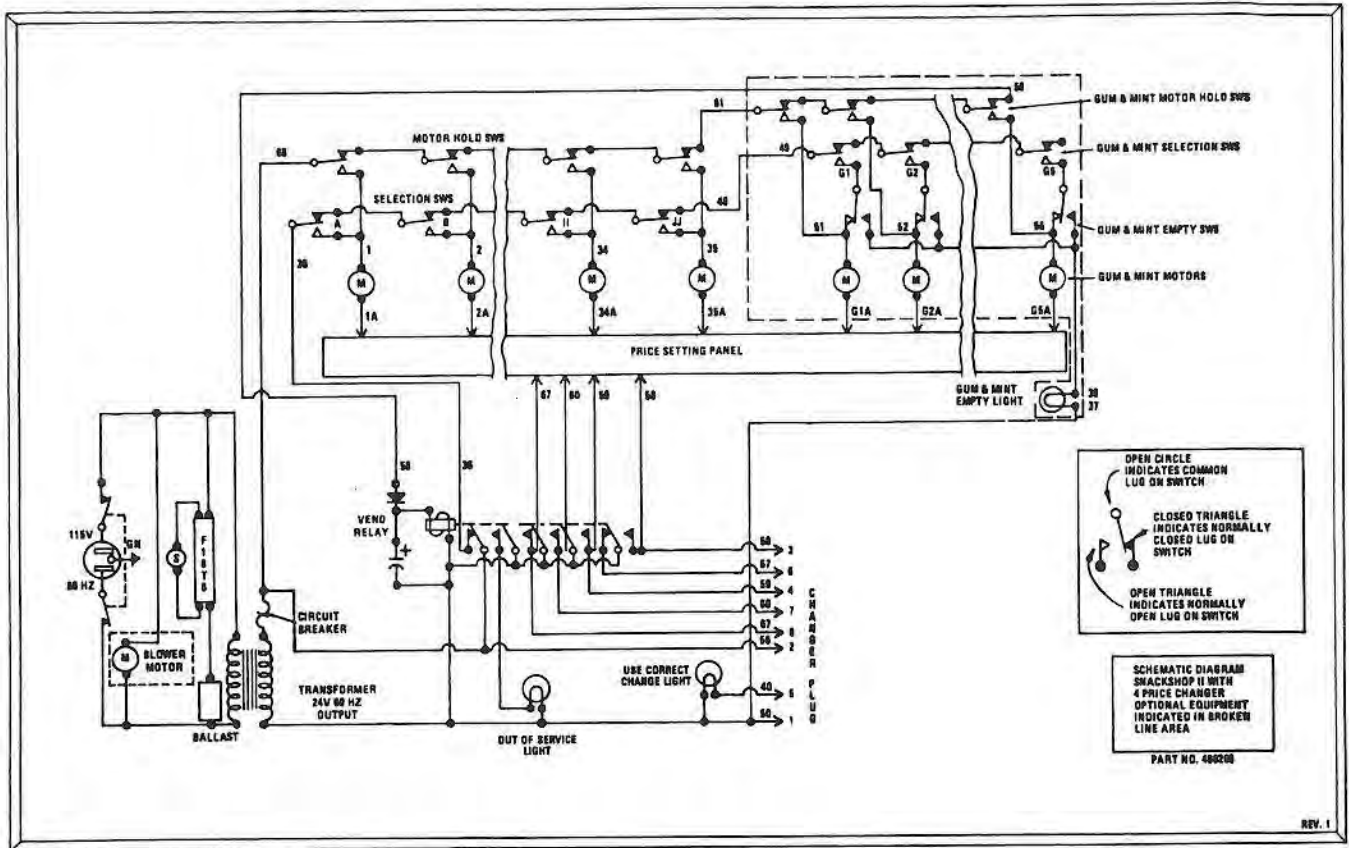


**CHANGER RECEPTACLE  
AND COVER**  
4/PRICE, 8 PIN - 380121  
COVER - 380124  
10/PRICE, 18 PIN - 380122  
MULTIPRICE, 18 PIN - 380142  
COVER - 380125

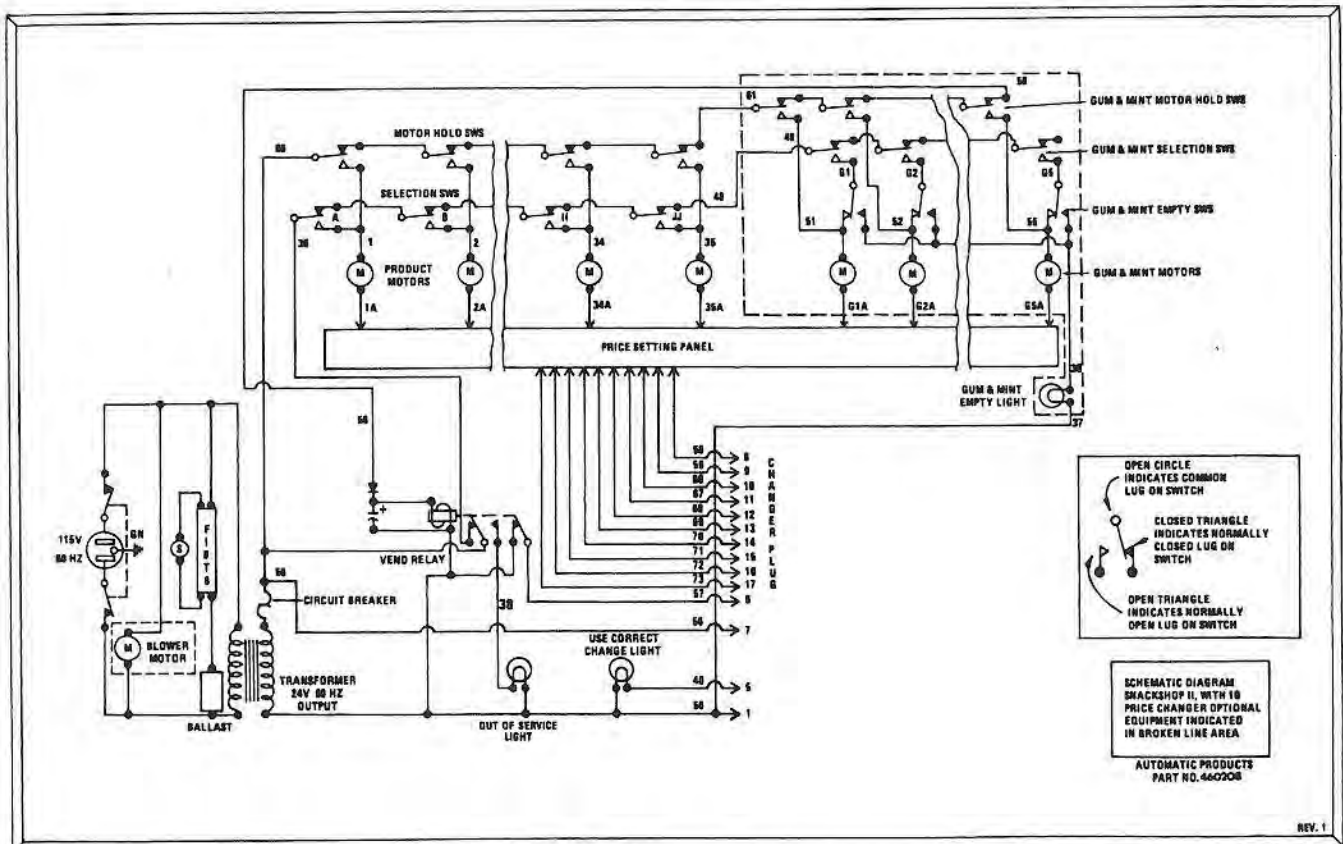


**ADHESIVE BACKED  
CABLE CLAMP**  
420096

# schematic with four price changer



# schematic with ten price changer



# schematic with multiprice changer

