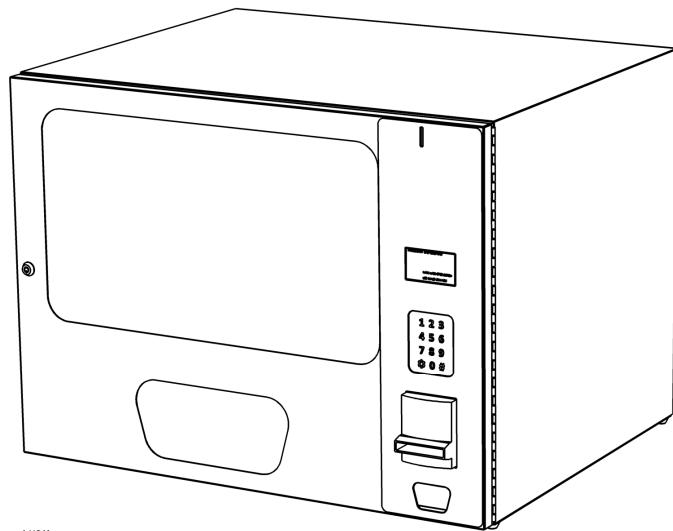


TABLE TOP MODEL-3549 PARTS MANUAL



A11840

VendNet™
165 North 10th Street
Waukee, IOWA 50263-0488
United States of America

TABLE OF CONTENTS

FINAL ASSEMBLY	1
<i>FINAL ASSEMBLY PARTS LIST</i>	<i>1</i>
DOOR ASSEMBLY	2
<i>DOOR ASSEMBLY PARTS LIST</i>	<i>3</i>
CABINET ASSEMBLY	4
<i>CABINET ASSEMBLY PARTS LIST</i>	<i>5</i>
POWER BOX ASSEMBLY	6
<i>POWER BOX ASSEMBLY PARTS LIST</i>	<i>6</i>
TRAY ASSEMBLY	7
<i>TRAY ASSEMBLY PARTS LIST</i>	<i>7</i>
OPTIONAL SPIRALS	7

NOTICE

The purpose of this manual is to give our customers a way of identifying major service parts for repair and replacement. The illustrations and parts list in this manual are for identification only. Some optional parts are also shown. It is our intent to assist our customers with up-to-date documentation. However, this manual may not show all parts, variations or changes. This manual is itself subject to change without notice. If any errors are found, please notify us immediately so corrections can be made.

All information provided is proprietary and should not be distributed without prior consent.

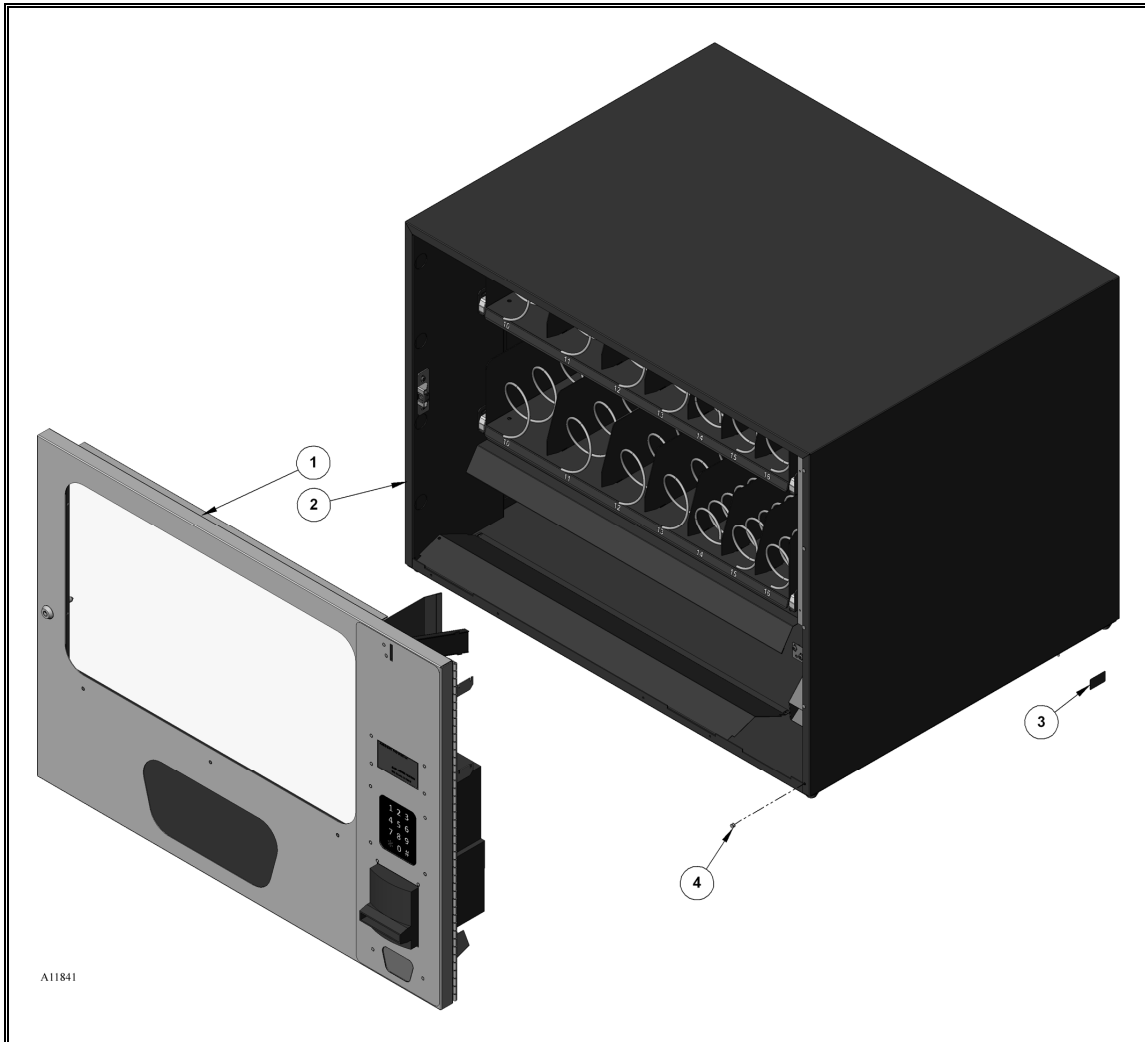
This manual contains information for this vendor as currently manufactured. This manual is not intended for older models. Older revisions of this manual should be kept with the respective vendor. Some parts may be shown out of scale. All measurements are in inches except where specified as Metric.

Items that require a finish (i.e. paint color or plating) will be identified with the suffix .xxx. When ordering parts with a .xxx suffix please identify the finish required.

Glossary of Terms

A/R:	As required	Usually used to identify a quantity that may vary at application (i.e. qty of fasteners, length of foam tape, etc. ...)
GA:	Gauge	As in gauge of wire used (also referred to as AWG).
V:	Voltage	Voltage may vary by country. Specify country/application voltage when ordering parts.
AMP:	Amperage	Amperage or current rating of item.
Hz:	Hertz	Frequency or cycle of voltage. Specify country/application frequency (Hz) when ordering parts.

FINAL ASSEMBLY



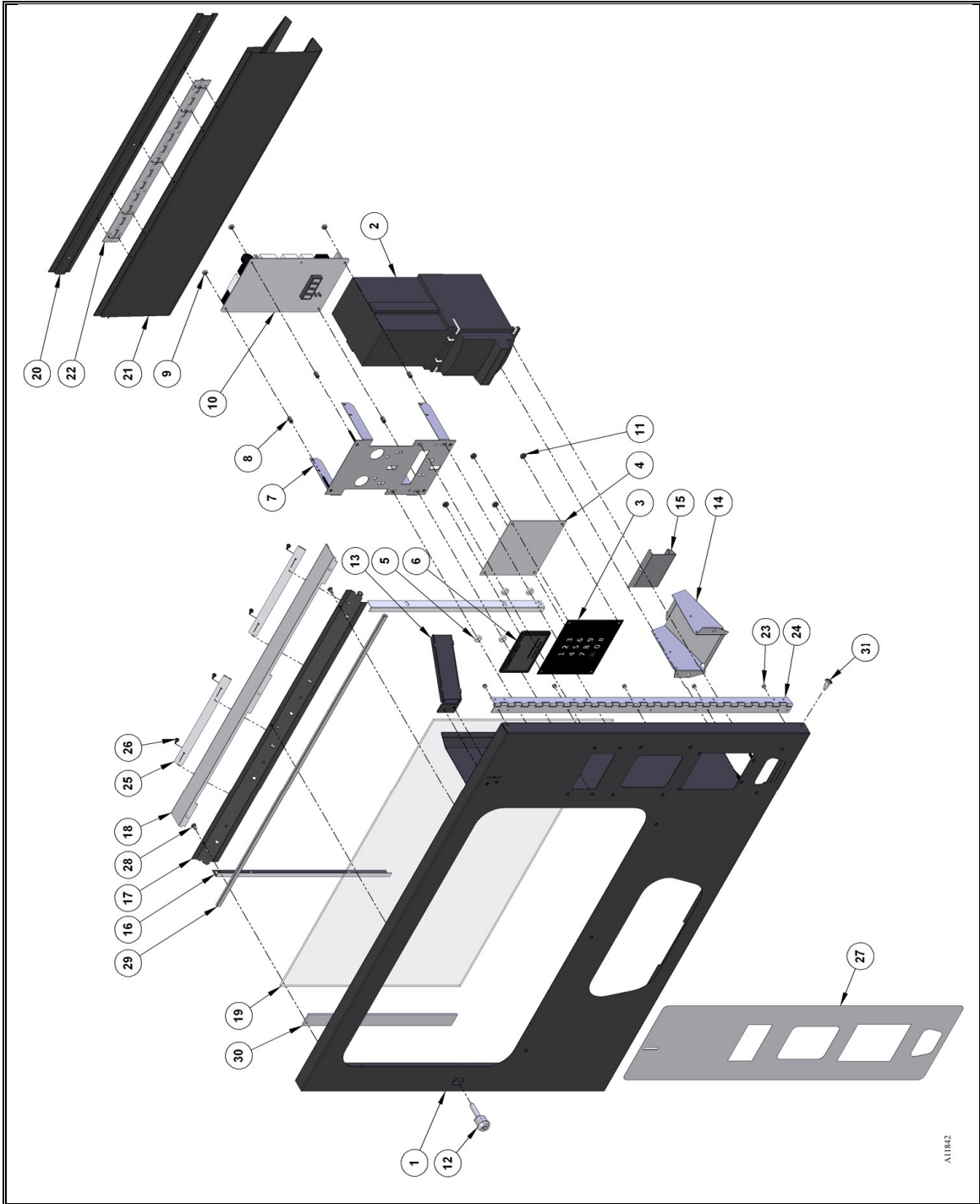
FINAL ASSEMBLY PARTS LIST

ITEM NO.	PART NUMBER	QTY	DESCRIPTION
1	SEE PAGE #2	1	DOOR ASSEMBLY
2	SEE PAGE #4	1	CABINET ASSEMBLY
3	4200032.000	1	LABEL- MADE IN USA
4	4050667	5	1/8 X .250 ALUMINUM POP RIVET

LIST OF PARTS NOT SHOWN

5	4217773	1	SERVICE MANUAL
---	---------	---	----------------

DOOR ASSEMBLY



A11842

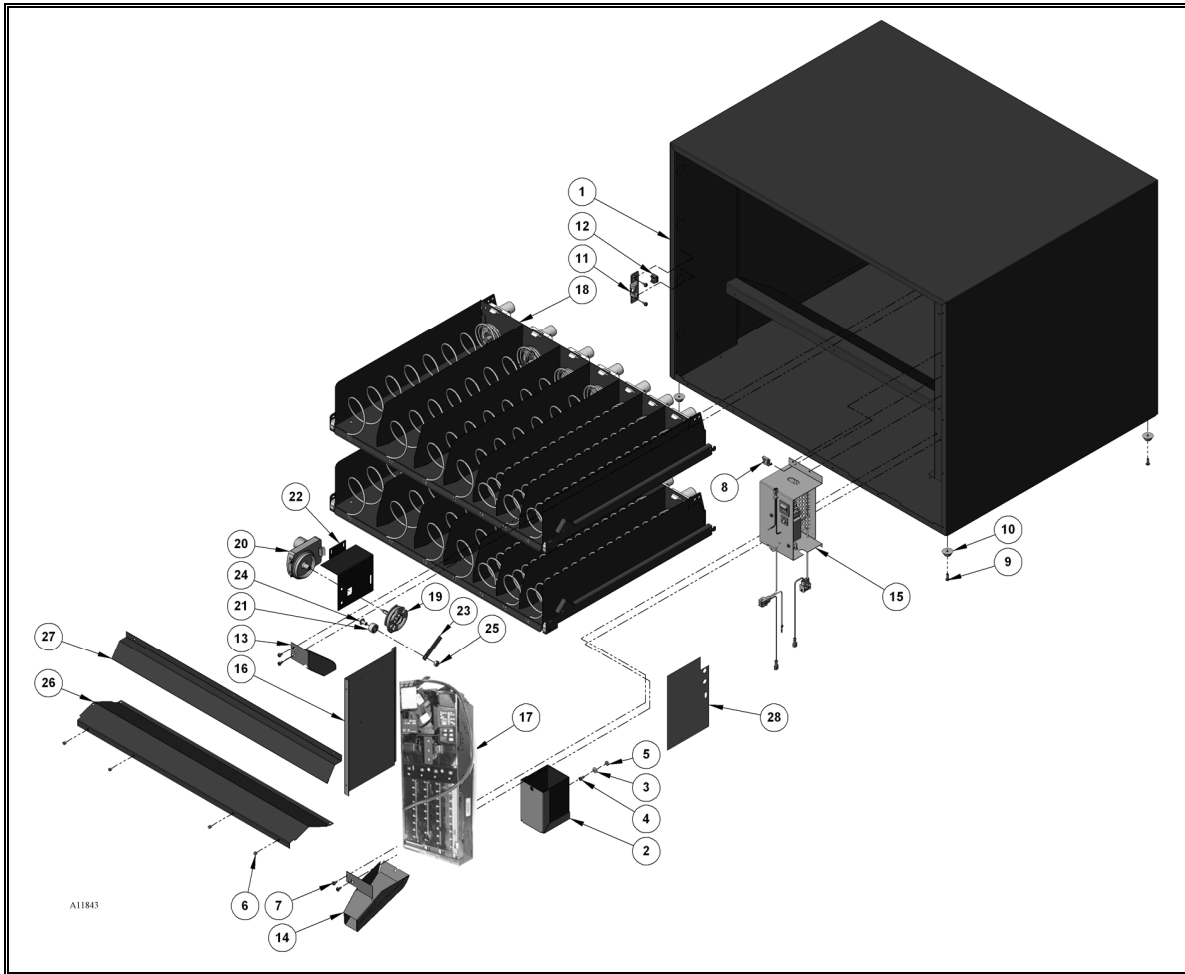
DOOR ASSEMBLY PARTS LIST

ITEM NO.	PART NUMBER	QTY	DESCRIPTION
1	1217824.XXX	1	DOOR WELD
2	OPTIONAL	1	VALIDATOR
3	4217775	1	KEYPAD
4	4217776.XXX	1	KEYPAD PLATE
5	4201138	4	HINGE SPACER
6	4202841.020	1	READOUT WINDOW/RED/ENGLISH
7	4216656.001XXX	1	DISPLAY MOUNT W/STUDS
8	4216687.375	8	TUBULAR SPACER 3/8"
9	4209866	4	6-32 NYLON NUT
10	4213952.001	1	CONTROL BOARD
11	8800956	A/R	8-32 HEX NUT W/ETW
12	4217783	1	LOCK (INCLUDES ATTACHING NUT AND KEYS)
13	1217828.XXX	1	INSERT CHUTE WELD
14	4217781	1	COIN CUP
15	4217782.XXX	1	COIN CUP DOOR
16	4218179.XXX	1	WINDOW SIDE RETAINER
17	4217789.XXX	1	LED MOUNT
18	4218181.XXX	1	TOP ANTI-CHEAT
19	4217784	1	WINDOW
20	4217787.XXX	1	WINDOW RETAINER
21	1217876.XXX	1	DELIVERY DOOR WELD
22	4218180	1	CONTINUOUS HINGE
23	4050667	15	1/8 X 1/4 ALUMINIUM POP RIVET
24	4217769	1	CONTINUOUS HINGE
25	4216544	2	LED LIGHT ENGINE (OPTION)
26	4215561.019	4	SNAP RIVET/BLACK 1/8 (OPTION)
27	4218187.XXX	1	DOOR DECAL
28	4050423.001	11	8-18X3/8 PHIL PH TY-A/BLACK
29	4215365	A/R	D GASKET
30	4217577.003	A/R	.062 X .750 FOAM TAPE
31	4205329	2	ARROW CLIP

LIST OF PARTS NOT SHOWN

32	4216693.005	2	LED WIRES (OPTION)
33	4217790	1	LED HARNESS (OPTION)

CABINET ASSEMBLY



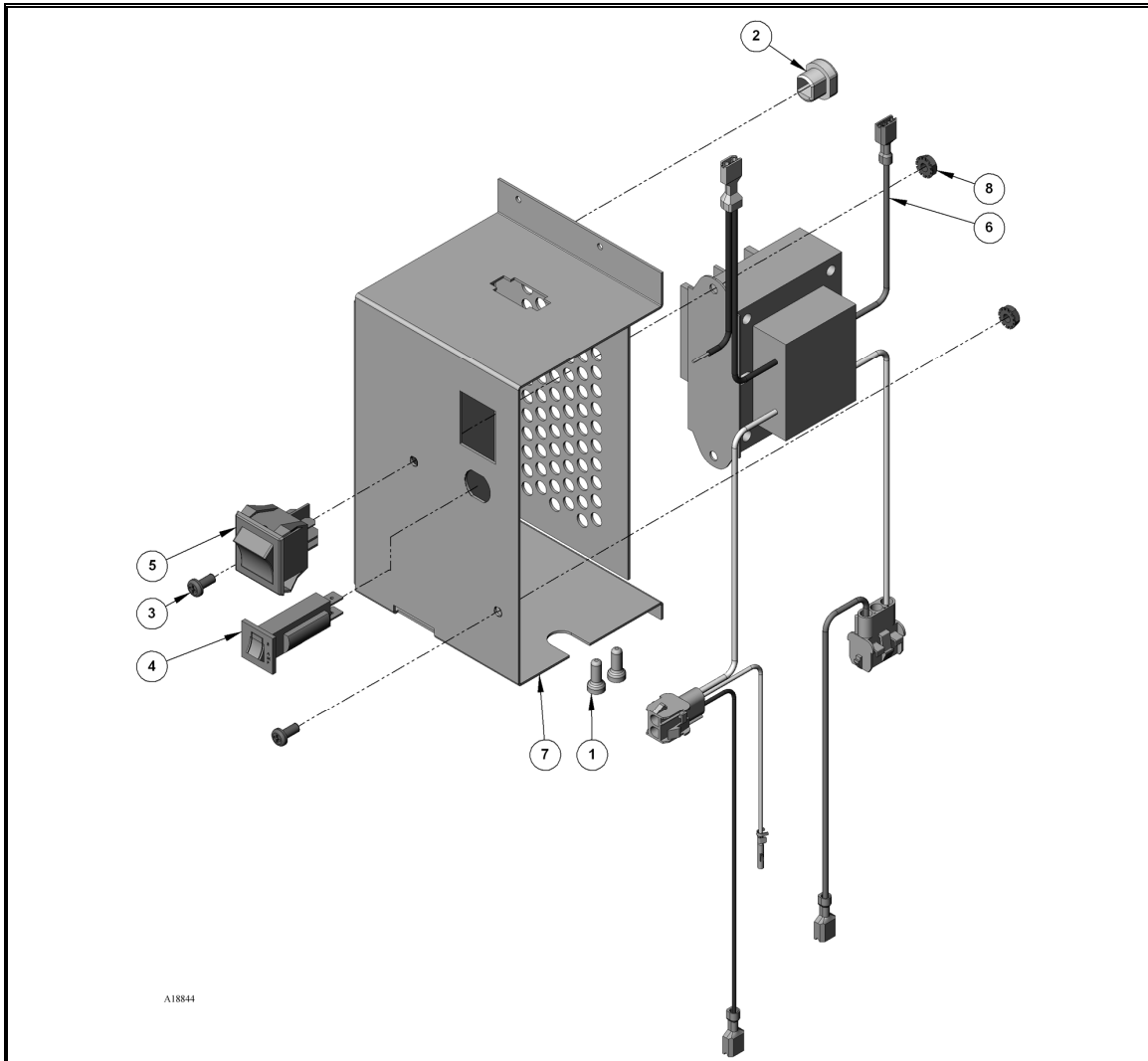
CABINET ASSEMBLY PARTS LIST

ITEM NO.	PART NUMBER	QTY	DESCRIPTION
1	1217797.XXX	1	CABINET WELD
2	1217831.XXX	1	COIN BOX WELD
3	4030100	1	BUSHING-SPACER
4	4050240	1	8-32X3/8 PHIL PH MS
5	4050511	1	8-32 NUT- TWO WAY LOCK
6	4050667	6	1/8X .250 ALUMINIUM POP RIVET
7	4050423.001	25	8-18X3/8 PHIL PH TY-A/BLACK
8	4216313	3	CLAMP
9	8800636	9	8-18X1/2 PHIL PH TYPE
10	4217774	4	BUMPER
11	4218219.001XXX	1	LOCK NUT MOUNT/WELDED
12	4218220	1	5/16 - 18 CAGE NUT
13	1217866.XXX	1	COIN CHUTE WELD-CABINET
14	1217867.XXX	1	CUP CHUTE WELD
15	SEE PAGE #6	1	POWER BOX ASSEMBLY
16	4218185	1	COIN MECH MOUNT
17	OPTIONAL	1	COIN MECHANISM
18	SEE PAGE #7	2	TRAY CFG
19	4216378	1	SPIRAL ADAPTER
20	4216379.004	1	MOTOR SNAP-IN 360 DEG
21	4217738	1	BUSHING
22	4217780	1	COIN RETURN MOTOR MOUNT
23	4218186	1	COIN RETURN ROLLER MOUNT
24	7200469.014	1	1/4-20X1/2 PHIL RH MS
25	4050496	1	1/4-20 NUT, TWO WAY LOCK
26	4217985.XXX	1	FALSE BOX
27	4218125.XXX	1	DELIVERY ANTI-CHEAT
28	4216031.002	1	SERVICE MODE LABEL

LIST OF PARTS NOT SHOWN

29	4217766	1	MAIN HARNESS
----	---------	---	--------------

POWER BOX ASSEMBLY



A18844

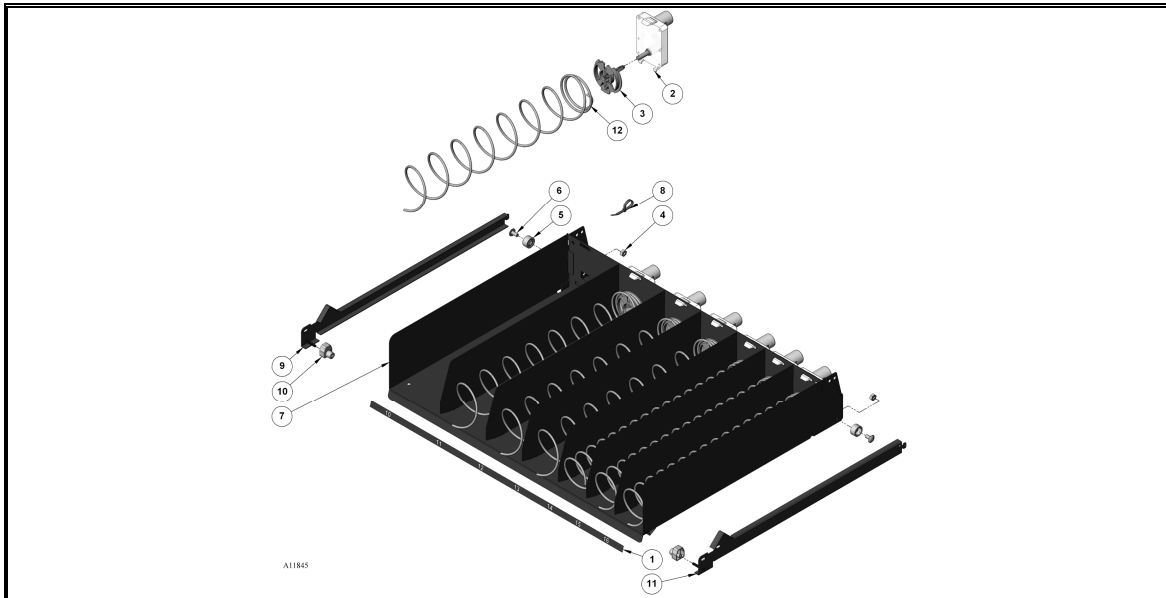
POWER BOX ASSEMBLY PARTS LIST

ITEM NO.	PART NUMBER	QTY	DESCRIPTION
1	4033505	2	CLOSED END SPLICE CAP #6
2	4033683	1	CORD STRAIN RELIEF BUSHING
3	4050240	2	8-32X3/8 PHIL PH MS
4	4203467.003	1	3 AMP CIRCUIT BREAKER
5	4213627	1	SWITCH-DOUBLE POLE
6	4216297	1	TRANSFORMER 110V
	4216297.001		TRANSFORMER 230V
7	4217730	1	POWER BOX
8	8800956	2	8-32 HEX NUT W/ETW

LIST OF PARTS NOT SHOWN

9	4217764.XXX	1	POWER CORD (PART NUMBER VARIES BY COUNTRY)
---	-------------	---	--------------------------------------------

TRAY ASSEMBLY



TRAY ASSEMBLY PARTS LIST

ITEM NO.	PART NUMBER	QTY	DESCRIPTION
1	4217741.001	1	TRAY LABEL(10-16)
	4217741.002	1	TRAY LABEL(20-26)
2	4216379.004	A/R	MOTOR SNAP-IN 360 DEGREE
3	4216378	A/R	SPIRAL ADAPTER
4	4050496	4	1/4-20 NUT, TWO WAY LOCK
5	4217738	4	BUSHING
6	7200469.014	4	1/4-20X1/2 PHIL RH MS
7	1217801.002XXX	2	TRAY WELD
8	4203509	2	CABLE TIE
9	4217737.003XXX	2	TRAY RAIL W/STUDS (LEFT RAIL)
10	4217739	4	RAIL GLIDE
11	4217737.002XXX	2	TRAY RAIL W/STUDS (RIGHT RAIL)
12	SEE PAGE #7	A/R	SPIRAL

LIST OF PARTS NOT SHOWN

13	4203508.004	2	TRAY HARNESS
----	-------------	---	--------------

OPTIONAL SPIRALS

SINGLE SPIRAL - CCW PART NUMBER	DUAL SPIRAL - CW PART NUMBER	SPIRAL SIZE	SPIRAL COUNT	ESTIMATED PRODUCT SIZE INCHES (MM)
4200272.115309		SNACK	4	
4200272.116309		CANDY	4	
4200272.119309		SNACK	4	
4211397.004309		CANDY	2	

NOTE: OTHER COUNT SPIRALS AVAILABLE AS PER SPECIAL ORDER

The contents of this publication are presented for informational purposes only, and while every effort has been made to ensure their accuracy, they are not to be construed as warranties or guarantees, express or implied, regarding the products or services described herein or their use or applicability. We reserve the right to modify or improve the designs or specifications of such products at any time without notice.



VendNet™
165 North 10th Street
Waukee, Iowa 50263
United States of America



	USA & Canada	International
Service	(800) 833-4411	(515) 274-3641
Parts	(888) 259-9965	
Email	vendnet@vendnetusa.com	
Web Site	www.vendnetusa.com	