

**INDOOR / OUTDOOR
5 WIDE
DUAL ZONE FOAMED (DZF 5000)
MODEL 3208**

PARTS MANUAL

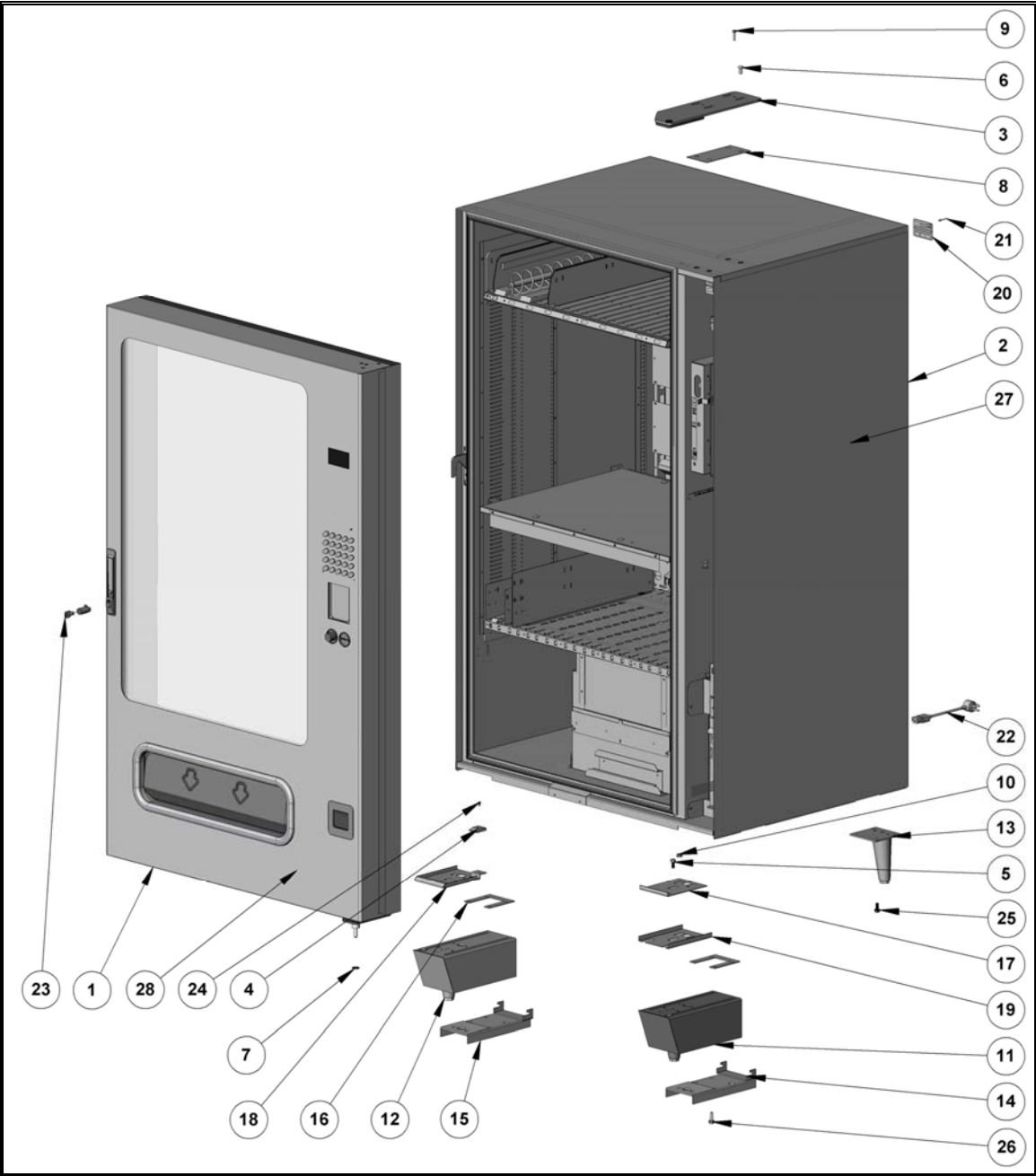


VendNet™
165 North 10th Street
Waukee, Iowa 50263-0488
United States of America

TABLE OF CONTENTS

FINAL ASSEMBLY DZF 5000 INDOOR	1
<i>FINAL ASSEMBLY DZF 5000 INDOOR PARTS LIST</i>	2
FINAL ASSEMBLY DZF 5000 OUTDOOR	3
<i>FINAL ASSEMBLY DZF 5000 OUTDOOR PARTS LIST</i>	4
DOOR ASSEMBLY (INDOOR)	5
<i>DOOR ASSEMBLY PARTS LIST (INDOOR)</i>	7
DOOR ASSEMBLY (OUTDOOR)	9
<i>DOOR ASSEMBLY PARTS LIST (OUTDOOR)</i>	11
CABINET ASSEMBLY (INDOOR & OUTDOOR)	13
<i>CABINET ASSEMBLY PARTS LIST (INDOOR & OUTDOOR)</i>	14
DELIVERY BOX ASSEMBLY (INDOOR & OUTDOOR)	16
<i>DELIVERY BOX ASSEMBLY PARTS LIST (INDOOR & OUTDOOR)</i>	17
LIGHT ASSEMBLY (INDOOR & OUTDOOR)	18
<i>LIGHT ASSEMBLY PARTS LIST (INDOOR & OUTDOOR)</i>	18
SELECTOR PANEL ASSEMBLY (OUTDOOR ONLY)	19
<i>SELECTOR PANEL ASSEMBLY PARTS LIST (OUTDOOR ONLY)</i>	19
POWER PANEL ASSEMBLY (INDOOR & OUTDOOR)	20
<i>POWER PANEL ASSEMBLY PARTS LIST (INDOOR & OUTDOOR)</i>	21
CONTROL BOARD MOUNTING ASSEMBLY (INDOOR & OUTDOOR)	22
<i>CONTROL BOARD MOUNTING ASSEMBLY PARTS LIST (INDOOR & OUTDOOR)</i>	23
PLASTIC TRAY ASSEMBLY (INDOOR & OUTDOOR)	24
<i>PLASTIC TRAY ASSEMBLY PARTS LIST (INDOOR & OUTDOOR)</i>	25
STEEL TRAY ASSEMBLY (INDOOR & OUTDOOR)	26
<i>STEEL TRAY ASSEMBLY PARTS LIST (INDOOR & OUTDOOR)</i>	27
HONOR GUARD OPTION (INDOOR & OUTDOOR)	28
<i>HONOR GUARD OPTION PARTS LIST (INDOOR & OUTDOOR)</i>	28
CONDENSER FAN ASSEMBLY (INDOOR & OUTDOOR)	29
<i>CONDENSER FAN ASSEMBLY PARTS LIST (INDOOR & OUTDOOR)</i>	29
REFRIGERATION MODULE ASSEMBLY (INDOOR & OUTDOOR)	30
<i>REFRIGERATION MODULE PARTS LIST (INDOOR & OUTDOOR)</i>	31
REFRIGERATION BASE ASSEMBLY (INDOOR & OUTDOOR)	32
<i>REFRIGERATION BASE ASSEMBLY PARTS LIST (INDOOR & OUTDOOR)</i>	33
DOOR HANDLE ASSEMBLY (INDOOR & OUTDOOR)	34
<i>DOOR HANDLE ASSEMBLY PARTS LIST (INDOOR & OUTDOOR)</i>	34
GLASS PROTECTOR ASSEMBLY (OUTDOOR ONLY)	35
<i>GLASS PROTECTOR ASSEMBLY PARTS LIST (OUTDOOR ONLY)</i>	35
RAIN GUARD ASSEMBLY (OUTDOOR ONLY)	36
<i>RAIN GUARD ASSEMBLY PARTS LIST (OUTDOOR ONLY)</i>	36
COIN CUP ASSEMBLY (OUTDOOR ONLY)	37
COIN INSERT RETAINER ASSEMBLY (OUTDOOR ONLY)	37
KEYPAD ACCESS ASSEMBLY (OUTDOOR ONLY)	38
VALIDATOR FILLER ASSEMBLY (OUTDOOR ONLY)	38
BACK SCREEN COVER ASSEMBLY (INDOOR & OUTDOOR)	39
INSULATION BARRIER ASSEMBLY (INDOOR & OUTDOOR)	40
OPTIONAL SPIRALS (INDOOR & OUTDOOR)	41
OPTIONAL PRICE SCROLLS (INDOOR & OUTDOOR)	42

FINAL ASSEMBLY DZF 5000 INDOOR



* SPECIFY COLOR

FINAL ASSEMBLY DZF 5000 INDOOR PARTS LIST

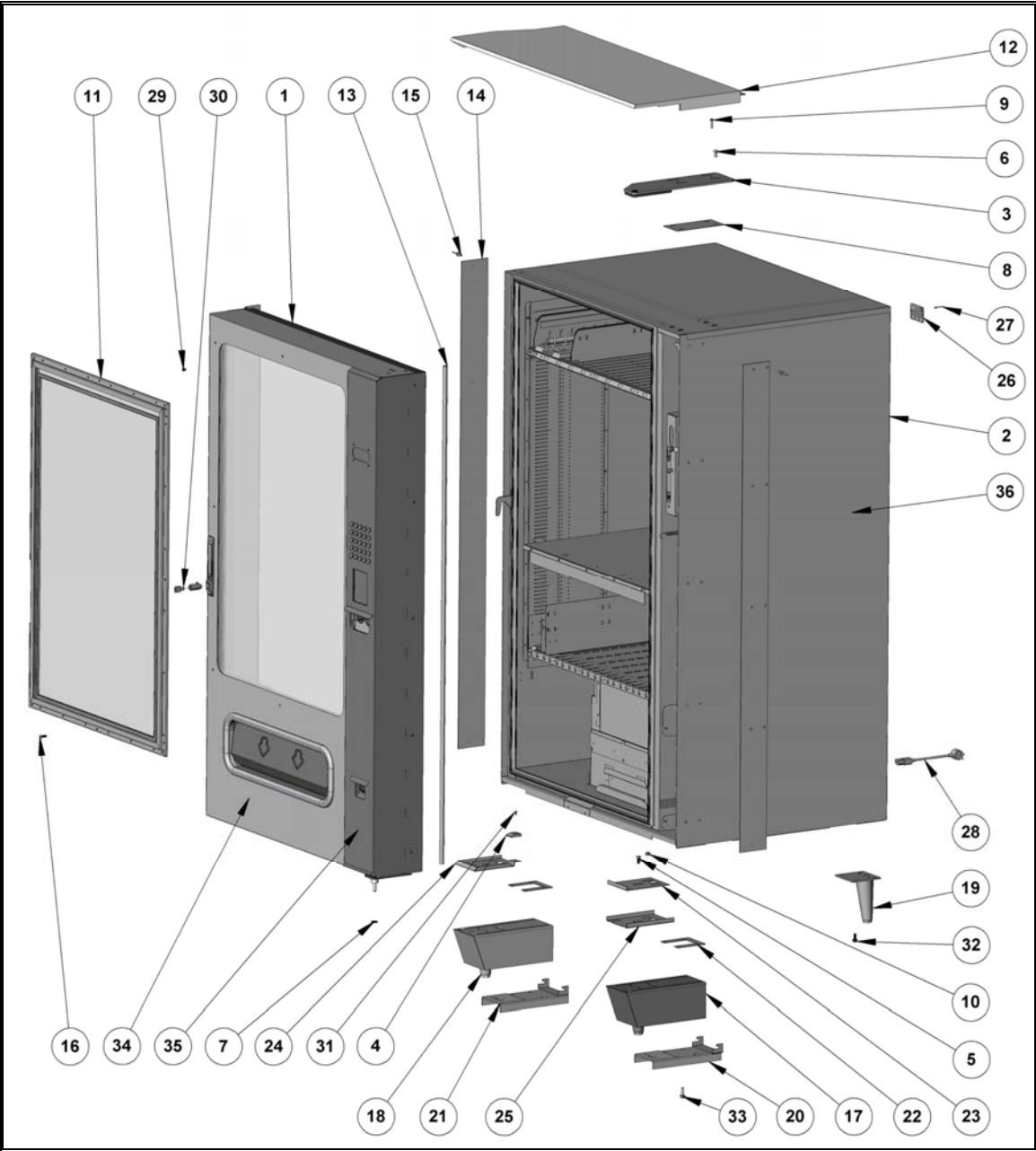
ITEM NO.	PART NUMBER	DESCRIPTION	QTY.
1	(SEE PAGE #5)	DOOR ASSEMBLY (INDOOR)	1
2	(SEE PAGE #13)	CABINET ASSEMBLY (5W)	1
3	1216660.XXX *	TOP HINGE WELD ASSEMBLY	1
4	4025610	DOOR GLIDE	1
5	4050072	5/16 - 18 X 3/4 HHCS	3
6	4050099	5/16 - 18 x 3/4 CARRIAGE BOLT	3
7	4050767	3/8 FLAT WASHER	1
8	4214306	TOP HINGE SHIM	2
9	4215175	12-18 X 1 HWH TEK SCREW	2
10	8810015	5/16-18 FLANGE LK NUT	6
11	1216649	LEG EXTENSION ASSEMBLY RIGHT	1
12	1216649.001	LEG EXTENSION ASSEMBLY LEFT	1
13	1214704.001	LEG ASSEMBLY	2
14	1216914.001	HINGE REINFORCEMENT WELD RIGHT	1
15	1216914	HINGE REINFORCEMENT WELD LEFT	1
16	4214155	LEG FASTENING PLATE	2
17	4214140	BOTTOM HINGE PLATE	1
18	4216012	LEFT LEG HINGE COVER	1
19	4214821	BOTTOM HINGE COVER	1
20	4215310.XXX	SERIAL PLATE	1
21	4215895	1/8 CLOSED END RIVET	2
22	4213759.XXX	POWER CORD – SPECIFY VOLTAGE & COUNTRY	1
23		LOCK CYLINDER WITH KEYS (OPTIONAL)	1
24	4050241	8-18 X 3/4 PHIL PD TY	1
25	8801388	5/16-18 X 3/4 HWH	8
26	4201385	5/16-18 X 1 THREADED ROLLER	8
27	4210818.XXX	SIDE DECAL (SPECIFY DESIGN)	2
28	4210818.XXX	DOOR DECAL (SPECIFY DESIGN)	1

(LIST OF THE PARTS NOT SHOWN)

29	4215981	AMP - 1-480698-0 PLUG 2 PIN	1
----	---------	-----------------------------	---

* SPECIFY COLOR

FINAL ASSEMBLY DZF 5000 OUTDOOR



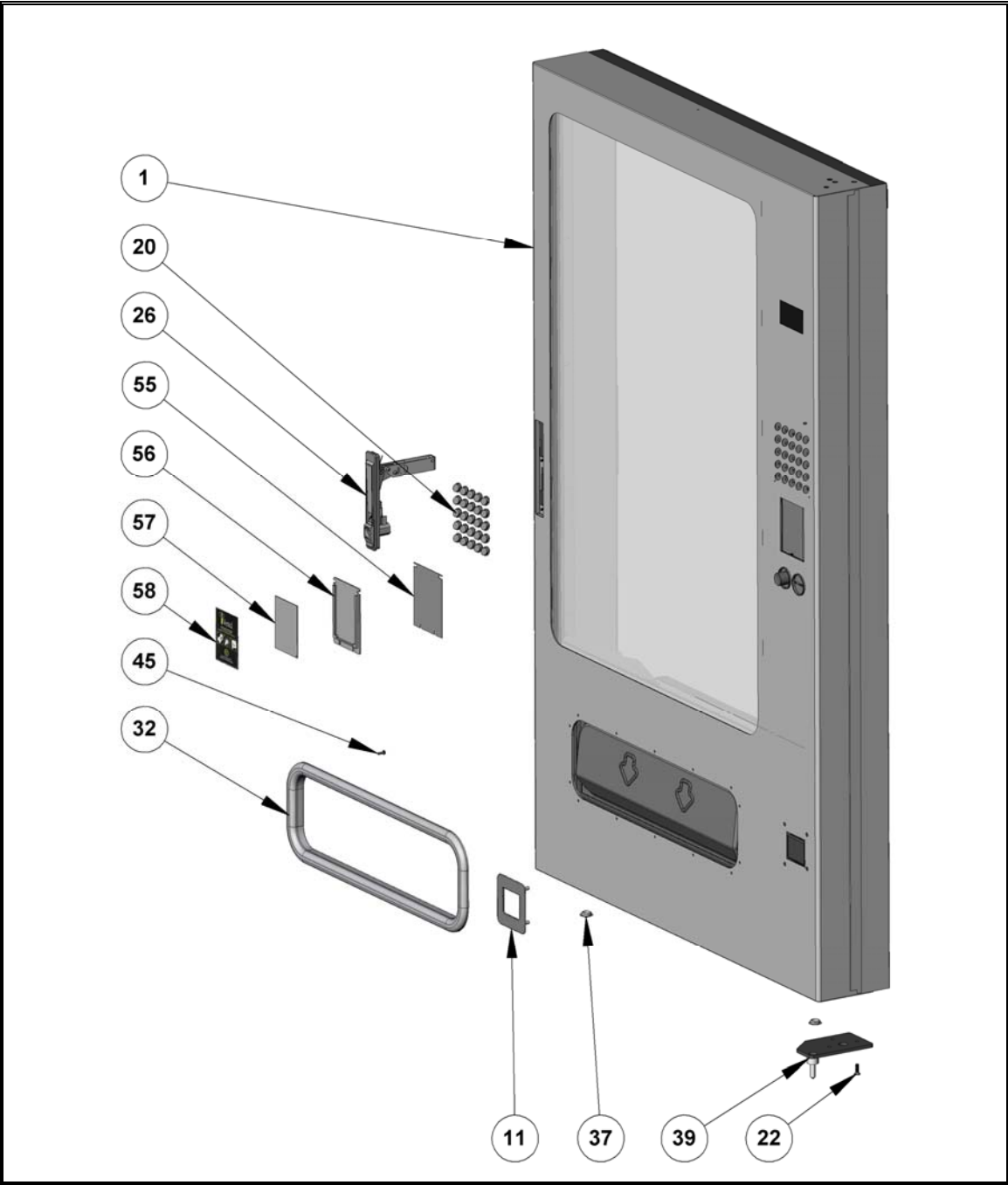
* SPECIFY COLOR

FINAL ASSEMBLY DZF 5000 OUTDOOR PARTS LIST

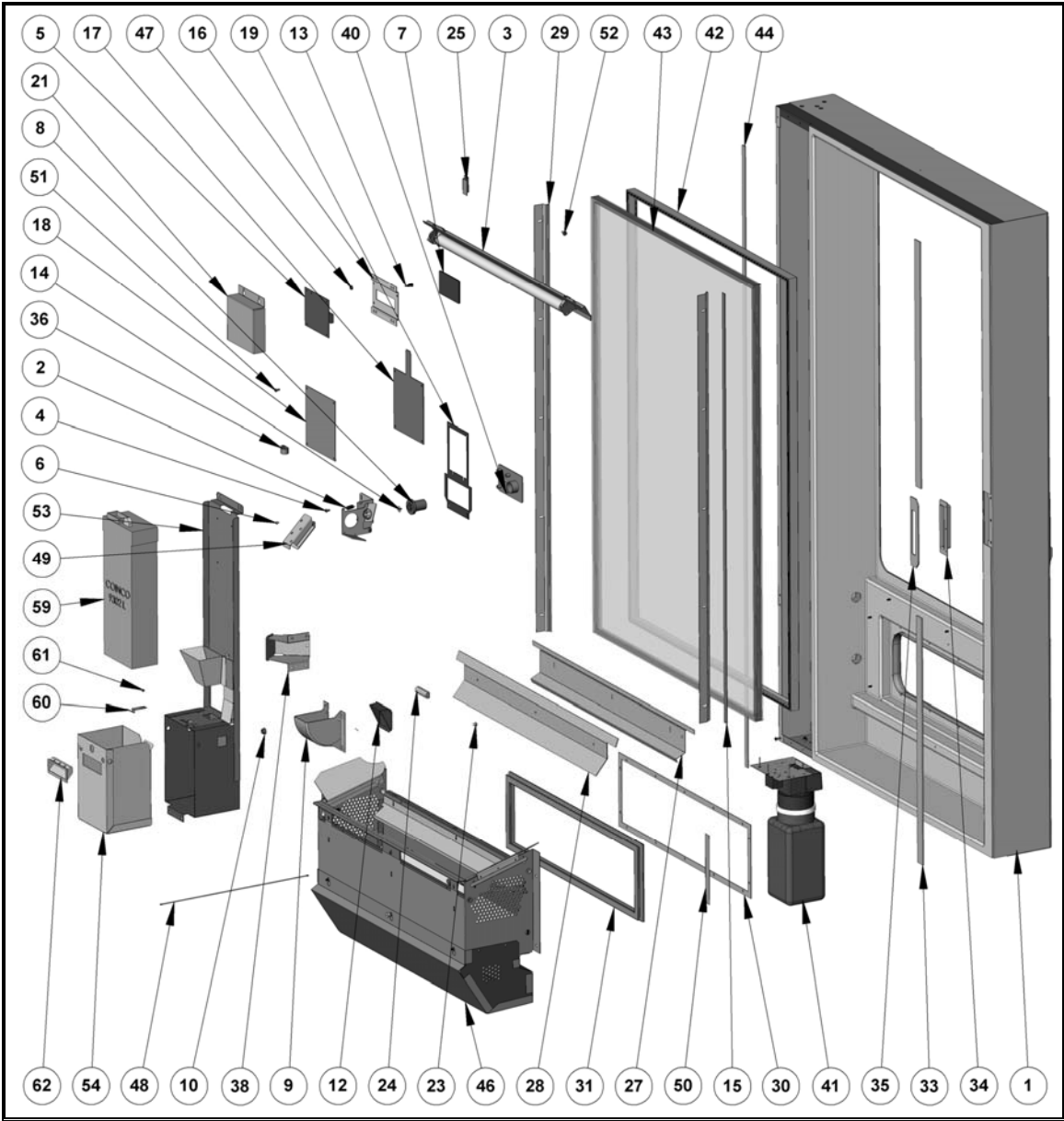
ITEM NO.	PART NUMBER	DESCRIPTION	QTY.
1	(SEE PAGE #9)	DOOR ASSY (5w)	1
2	(SEE PAGE #13)	CABINET ASSEMBLY (5W)	1
3	1216660.XXX*	TOP HINGE WELD ASSEMBLY	1
4	4025610	DOOR GLIDE	1
5	4050072	5/16 - 18 X 3/4 HHCS	3
6	4050099	5/16 - 18 x 3/4 CARRIAGE BOLT	3
7	4050767	3/8 FLAT WASHER	1
8	4214306	TOP HINGE SHIM	2
9	4215175	12-18 X 1 HWH TEK SCREW	2
10	8810015	5/16-18 FLANGE LK NUT	6
11	(SEE PAGE #35)	GLASS PROTECTOR ASSEMBLY	1
12	(SEE PAGE #36)	TOP RAIN GUARD ASSY *	1
13	4213532	D-GASKET	AS REQ'D
14	4215736	CABINET BRACE	2
15	4210421.001	RIVET 1/4 INCH	30
16	4215382	10-24 X 3/4" PINNED TORX MS SS USED WITH 4214885: 10-32 INSERT	8
17	1216649	LEG EXTENSION ASSEMBLY	1
18	1216649.001	LEG EXTENSION ASSEMBLY	1
19	1214704.001	LEG ASSEMBLY	2
20	1216914	HINGE REINFORCEMENT WELD LEFT	1
21	1216914.001	HINGE REINFORCEMENT WELD RIGHT	1
22	4214155	LEG FASTENING PLATE	2
23	4214140	BOTTOM HINGE PLATE	1
24	4216012	LEFT LEG HINGE COVER	1
25	4214821	BOTTOM HINGE COVER	1
26	4215310.XXX	SERIAL PLATE	1
27	4215895	1/8 CLOSED END RIVET	2
28	4213759.XXX	POWER CORD – SPECIFY VOLTAGE & COUNTRY	1
29	4215383	10-24 NUT INSERT	8
30		LOCK CYLINDER WITH KEYS (OPTIONAL)	1
31	4050241	8-18 X 3/4 PHIL PD TY	1
32	8801388	5/16-18 X 3/4 HWH	8
33	4201385	5/16-18 X 1 THREADED ROLLER	8
34	4210818.XXX	LOWER DOOR DECAL (SPECIFY DESIGN)	1
35	4210818.XXX	CONTROL PANEL DECAL (SPECIFY DESIGN)	1
36	4210818.XXX	SIDE DECAL (SPECIFY DESIGN)	2
(LIST OF THE PARTS NOT SHOWN)			
37	4215981	AMP - 1-480698-0 PLUG 2 PIN	1

* SPECIFY COLOR

DOOR ASSEMBLY (INDOOR)



* SPECIFY COLOR



* SPECIFY COLOR

DOOR ASSEMBLY PARTS LIST (INDOOR)

ITEM NO.	PART NUMBER	DESCRIPTION	QTY.
1	1217230.XXX*	DOOR FOAM ASSEMBLY (5W)	1
2	1216187	COIN RELEASE ASSEMBLY	1
3	(SEE PAGE #18)	LIGHT ASSEMBLY (5W)	1
4	4050423	8-18 x 1/2 PHIL PH TY-A	13
5	4200660.004	READOUT	1
6	4201942	6-20 X 3/16 PHIL PH TYP B	2
7	4202841.009	READOUT WINDOW/BLUE	1
8	4203187	COIN RETURN BUTTON	1
9	4203207	COIN CUP	1
10	4050747	1/4 SHEET METAL NUT	4
11	4203209	COIN CUP BEZEL	1
12	4203208	COIN CUP DOOR	1
13	4206879	BOARD STANDOFF	4
14	4209188	SNAP PIN	1
15	4209845	PROTECTIVE WINDOW SEAL	AS REQ'D
16	4210239	DISPLAY MOUNT	1
17	4210951.004	KEYPAD 5 x 5 CB500	1
18	4210952	KEYPAD BACK PLATE	1
19	4210954	INSERT MOUNT	1
20	4210978	ELLIPSE BUTTON	25
21	4211312	DISPLAY COVER	1
22	4212089	1/4-20 x 3/4 COUNTERSUNK HEAD CAP SCREW	6
23	4213164.008	8-32 NYLON CAP NUT	3
24	4213532	D-GASKET	AS REQ'D
25	4214028	DOOR SWITCH ACTIVATOR	1
26	4214029	DOOR HANDLE ASSEMBLY (SEE PAGE #34)	1
27	4214116	BOTTOM WINDOW RETAINER (5W)	1
28	4214118	BOTTOM WINDOW DEFLECTOR (5W)	1
29	4214136	SIDE WINDOW RETAINER	2
30	4214154	DELIVERY GASKET RETAINER (5W)	1
31	4215090.005	MAGNETIC GASKET	1
32	4214609.005	DELIVERY BEZEL	1
33	4215119.001	1/8 X 1 FOAM TAPE	AS REQ'D
34	4215176	DOOR HANDLE FILLER	1
35	4215177	HANDLE OPENING GASKET	1
36	7090002.713	3/4 CABLE CLAMP	3
37	7250135.003	HOLE PLUG-BPF 3/4	2
38	4215773	TRAY DEFLECTOR	1
39	1216661*	BOTTOM DOOR HINGE WELD	1
40	4203186.XXX	COIN INSERT BLACK – SPECIFY COIN SIZE	1
41	1216645.XXX	HONOR GARD ASSEMBLY (SEE PAGE #28)	1
42	4213933.014	WINDOW GASKET - TRIPLE PANE	1

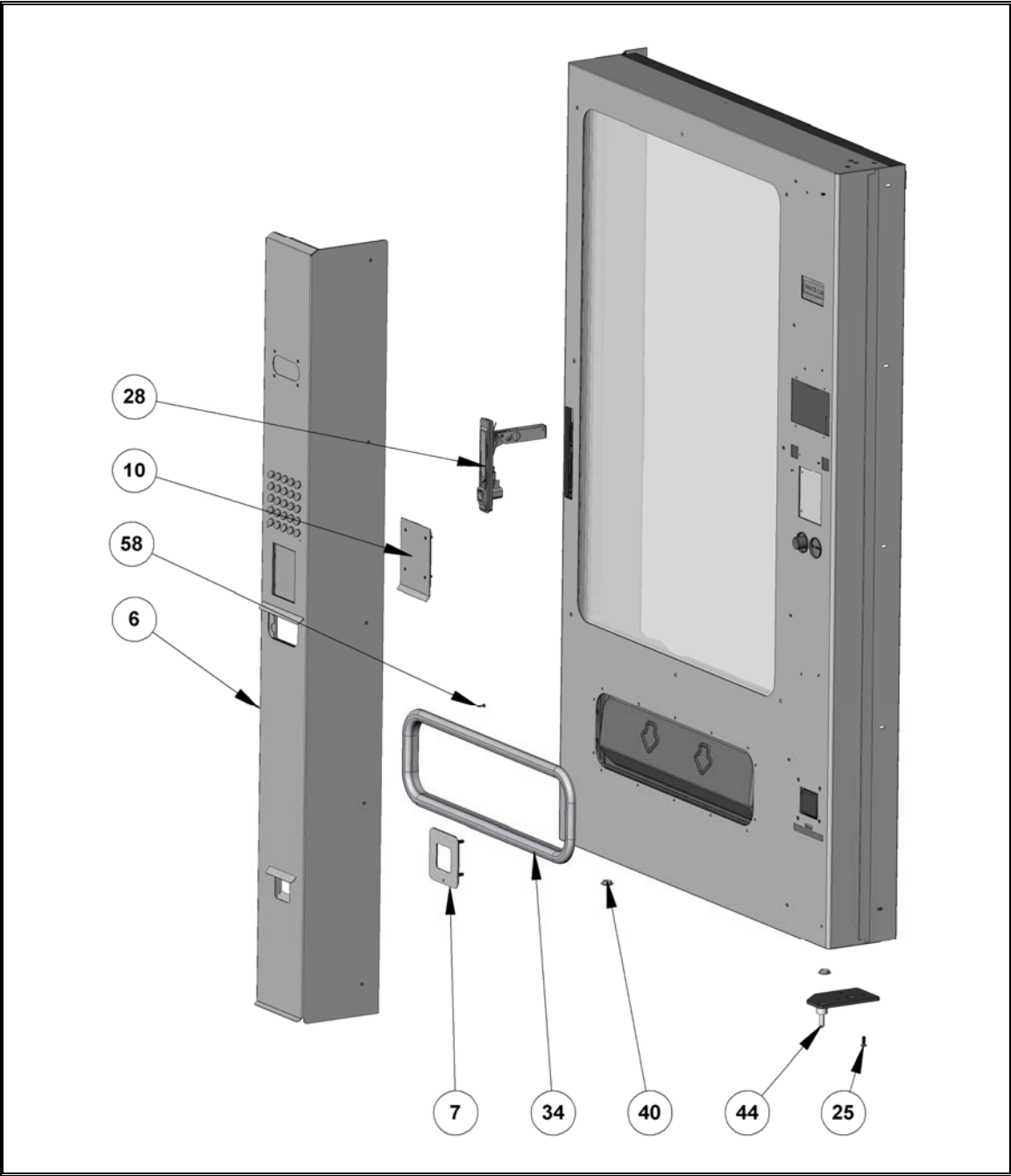
* SPECIFY COLOR

43	4213919.014	TRIPLE PANE GLASS - 110 V HEATED	1
44	4215119	1/8 X 1/2 FOAM TAPE	AS REQ'D
45	8801322	8-18 X 1/2 PHIL PH HILO TYP B	14
46	(SEE PAGE #16)	DELIVERY BOX ASSY (5W)	1
47	8800956	8-32 HEX NUT W/ETW	34
48	1211465.003	GROUND WIRE	1
49	1212097 (OPTION)	COIN CHUTE WELD (SMALL COINS)	1
	1215694 (OPTION)	COIN CHUTE WELD (LARGE COINS)	1
50	4208565	DOUBLE SIDED TAPE .750	AS REQ'D
51	4050240	8-32 X 3/8 PHIL PH MS	1
52	4050202.001	8-18 X 1/2 PHIL HWH TEK	10
53	1216638	MECH MOUNT WELD	1
54	1216639	COIN BOX WELD	1
55	4201907.001	VALIDATION PLATE (OPTION)	1
56	4209639	VALIDATION FILLER (OPTION)	1
57	4209656.001	POP PLATE (OPTION)	1
58	4210396.XXX	FILLER DECAL (OPTION)	1
59	SPECIFY CURRENCY	COIN MECH (OPTION)	
60	4214607	COIN BOX LATCH	1
61	4050667	1/8 X 1/4 ALUM POP RIVET	4
62	4214081	FLUSH PULL HANDLE	1

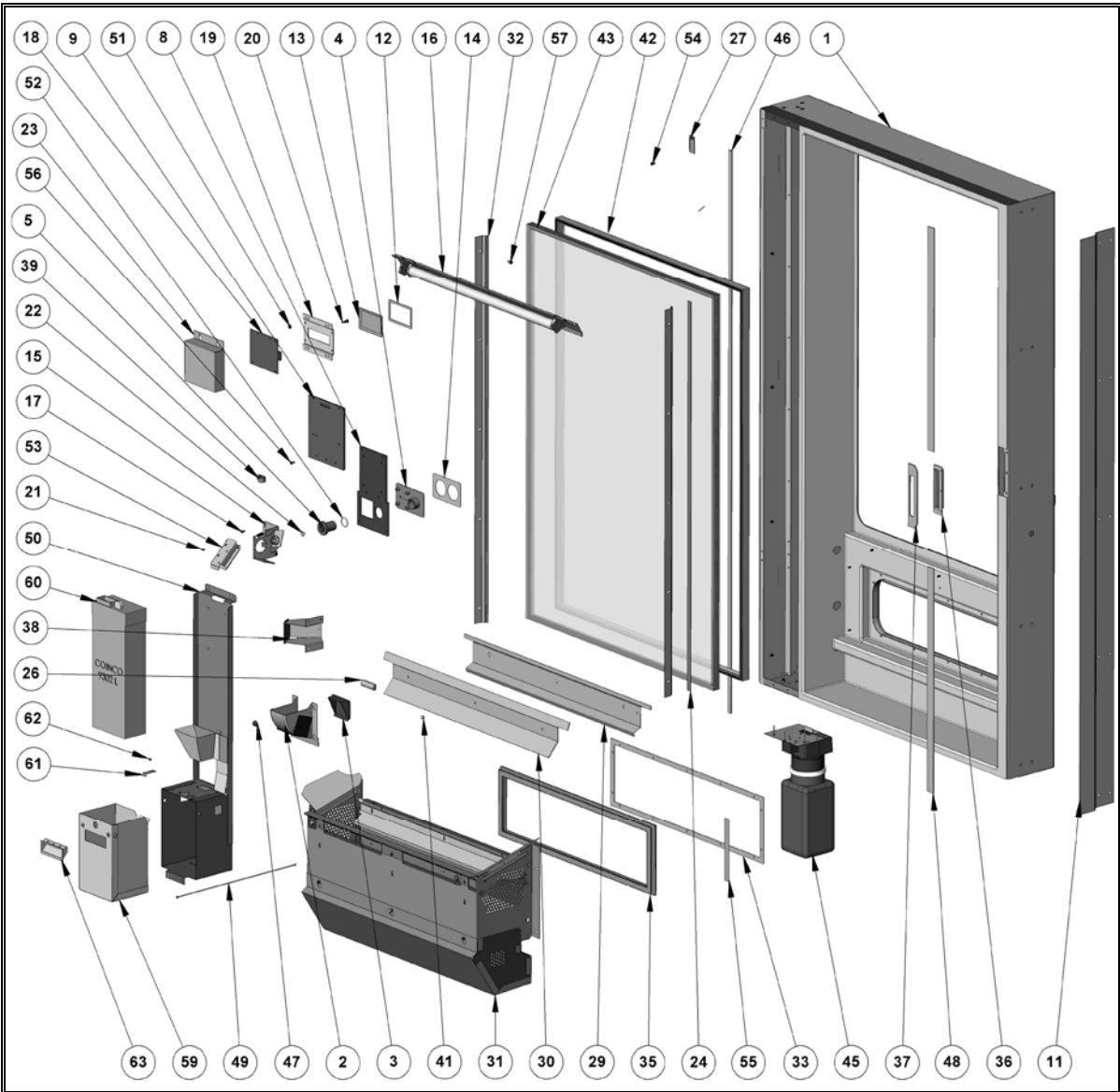
(LIST OF THE PARTS NOT SHOWN)

63	4214352	DOOR HARNESS	1
64	4215204	GLASS JUMPER HARNESS (USED WITH HEATED GLASS OPTION)	1

DOOR ASSEMBLY (OUTDOOR)



* SPECIFY COLOR



* SPECIFY COLOR

DOOR ASSEMBLY PARTS LIST (OUTDOOR)

ITEM NO.	PART NUMBER	DESCRIPTION	QTY.
1	1217171.XXX*	DOOR FOAM ASSY (5W) - OUTDOOR	1
2	(SEE PAGE #37)	COIN CUP ASSEMBLY	1
3	4203208	COIN CUP DOOR	1
4	4203186.XXX	COIN INSERT BLACK – SPECIFY COIN SIZE	1
5	4203187	COIN RETURN BUTTON	1
6	(SEE PAGE #19)	SELECTOR PANEL COVER ASSY	1
7	1217210	COIN CUP BEZEL WELD	1
8	(SEE PAGE #37)	COIN INSERT RETAINER ASSY	1
9	(SEE PAGE #38)	KEYPAD ACCESS ASSEMBLY	1
10	(SEE PAGE #38)	VALIDATOR FILLER ASSEMBLY	1
11	4215733	LATCH SIDE ANTI CHEAT	1
12	4212108	READOUT WINDOW GASKET	1
13	4202841.009	READOUT WINDOW/BLUE	1
14	4215820	COIN INSERT GASKET	1
15	1216187	COIN RELEASE ASSEMBLY	1
16	(SEE PAGE #18)	LIGHT ASSEMBLY (5W)	1
17	4050423	8-18 x 1/2 PHIL PH TY-A	13
18	4200660.004	READOUT	1
19	4210239	DISPLAY MOUNT	1
20	4206879	BOARD STANDOFF	4
21	4201942	6-20 X 3/16 PHIL PH TYP B	2
22	4209188	SNAP PIN	1
23	4211312	DISPLAY COVER	1
24	4209845	PROTECTIVE WINDOW SEAL ½"	AS REQ'D
25	4212089	1/4-20 x 3/4 COUNTERSUNK HEAD CAP SCREW	6
26	4213532	D-GASKET	AS REQ'D
27	4214028	DOOR SWITCH ACTIVATOR	1
28	4214029	DOOR HANDLE ASSEMBLY (SEE PAGE #34)	1
29	4214116	BOTTOM WINDOW RETAINER (5W)	1
30	4214118	BOTTOM WINDOW DEFLECTOR (5W)	1
31	(SEE PAGE #16)	DELIVERY BOX ASSY (5W)	1
32	4214136	SIDE WINDOW RETAINER	2
33	4214154	DELIVERY GASKET RETAINER (5W)	1
34	4214609.005	DELIVERY BEZEL	1
35	4215090.005	MAGNETIC GASKET	1
36	4215176	DOOR HANDLE FILLER	1
37	4215177	HANDLE OPENING GASKET	1
38	4215773	TRAY DEFLECTOR	1
39	7090002.713	3/4 CABLE CLAMP	3
40	7250135.003	HOLE PLUG-BPF ¾"	2
41	4213164.008	8-32 NYLON CAP NUT	3
42	4213933.014	WINDOW GASKET - TRIPLE PANE	1

* SPECIFY COLOR

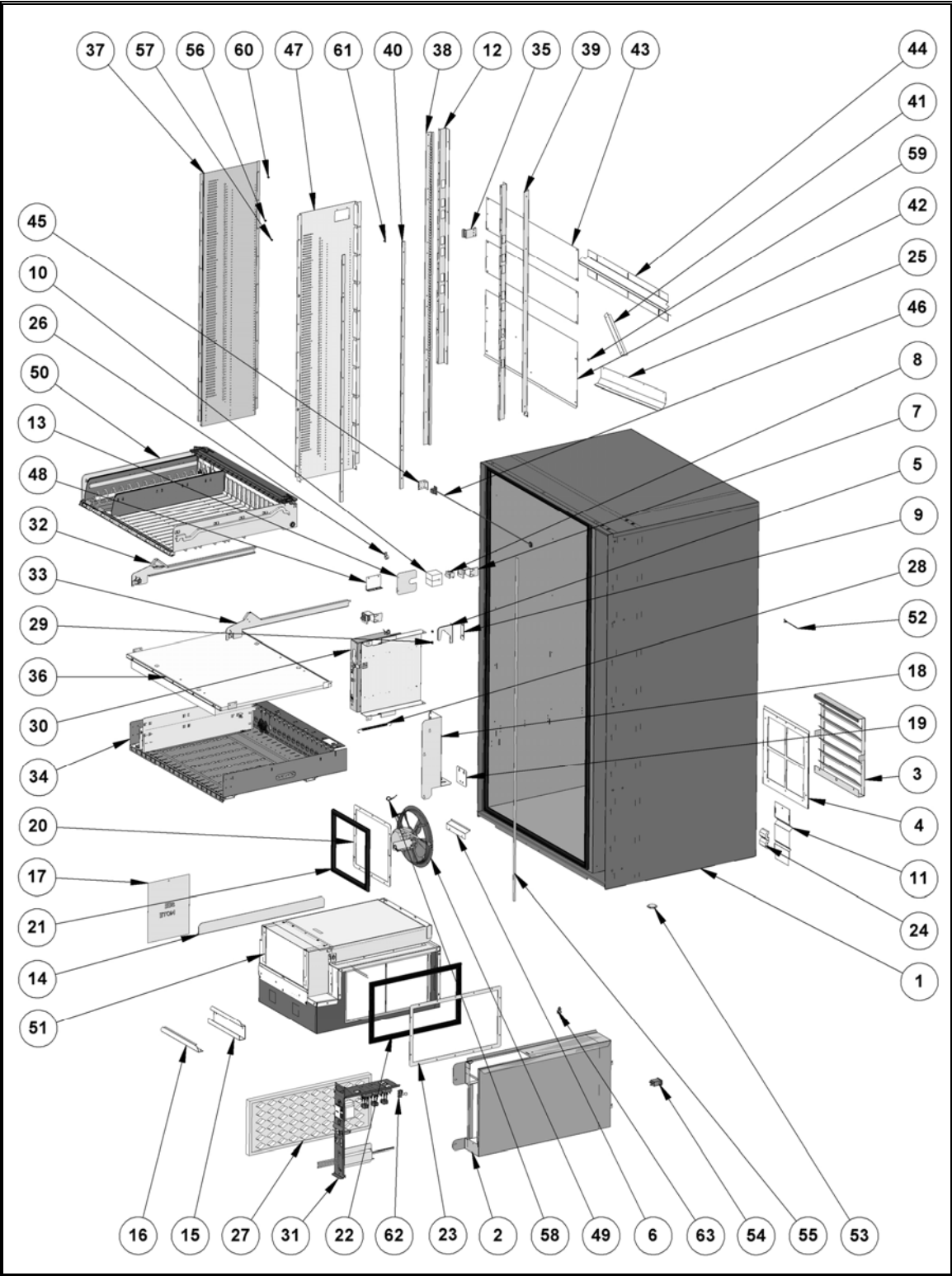
43	4213919.014	TRIPLE PANE GLASS - 110V HEATED	1
44	1216661*	BOTTOM DOOR HINGE WELD	1
45	1216645.XXX	HONOR GARD ASSEMBLY (<i>SEE PAGE #28</i>)	1
46	4215119	1/8 X 1 FOAM TAPE	AS REQ'D
47	4050747	1/4 SHEET METAL NUT	4
48	4215119.001	1/8 X 1/2 FOAM TAPE	AS REQ'D
49	1211465.003	GROUND WIRE	1
50	1216638	MECH MOUNT WELD	1
51	8800956	8-32 HEX NUT W/ETW	34
52	4215824	O RING	1
53	1212097(OPTION)	COIN CHUTE WELD (SMALL COINS)	1
	1215694 (OPTION)	COIN CHUTE WELD (LARGE COINS)	1
54	8800638	10-16 X 3/8 PHL PH TYP	5
55	4208565	DOUBLE SIDED TAPE .750	1
56	4050240	8-32 X 3/8 PHIL PH MS	1
57	4050202.001	8-18 x 1/2 PHIL HWH TEK	10
58	8801322	8-18 X 1/2 PHL PH HILO TYP B	14
59	1216639	COIN BOX WELD	1
60	SPECIFY CURRENCY	COIN MECH (OPTION)	1
61	4214607	COIN BOX LATCH	1
62	4050667	1/8 X 1/4 ALUM POP RIVET	4
63	4214081	FLUSH PULL HANDLE	1

(LIST OF THE PARTS NOT SHOWN)

64	4214352	DOOR HARNESS	1
65	4215204	GLASS JUMPER HARNESS (USED WITH HEATED GLASS OPTION)	1

* SPECIFY COLOR

CABINET ASSEMBLY (INDOOR & OUTDOOR)



* SPECIFY COLOR

CABINET ASSEMBLY PARTS LIST (INDOOR & OUTDOOR)

ITEM NO.	PART NUMBER	DESCRIPTION	QTY.
1	1217170.001*	CABINET FOAM ASSY (5W) - INDOOR	1
	1217170.000*	CABINET FOAM ASSY (5W) - OUTDOOR	
2	1216724	BOTTOM CABINET ENCLOSURE WELD	1
3	(SEE PAGE #39)	BACK SCREEN COVER ASSEMBLY	1
4	1217222	SCREEN WELD	1
5	1217242	HANDLE HOOK WELD	1
6	4215771	WATER DEFLECTOR (OUTDOOR ONLY)	1
7	4214214	DOOR SWITCH MOUNT	1
8	4212621	SWITCH	1
9	4214127	HANDLE HOOK PLATE	1
10	4214006	HARNESS INSULATION BLOCK	3
11	4214198	CONNECTION BOX COVER	1
12	4214286	AIR DUCT MOUNT	2
13	4214768	HARNESS OPENING COVER	3
14	4214968	MODULE SIDE HOLD DOWN	1
15	4215060	MODULE FRONT HOLD DOWN	1
16	4215061	MODULE RETAINING BRACKET	1
17	4215080	OPERATING INSTRUCTION SHEET	1
18	4215158	HARNESS PLUG MOUNT	1
19	4215162	DOOR HARNESS PLATE	1
20	4215206	SIDE GASKET RETAINER	1
21	4215210	GASKET	1
22	4215210.001	GASKET	1
23	4215207	SIDE GASKET RETAINER	1
24	4213628	EMI SUPPRESSOR - SPLIT FERRITE	1
25	4215799	AIR BAFFLE BACK	1
26	4215909	OPEN P-CLAMP	1
27	4215940	AIR FILTER (10 x 25 x 1)	1
28	8361468	SPRING-BAR RETURN	1
29	8800952	10-32 HEX NUT W/ETW	2
30	(SEE PAGE #22)	CONTROL BOARD MOUNT ASSY	1
31	(SEE PAGE #20)	POWER PANEL ASSEMBLY	1
32	1215925.001	TRAY RAIL LEFT	AS REQ'D
33	1215925	TRAY RAIL RIGHT	AS REQ'D
34	(SEE PAGE #26)	STEEL TRAY ASSY (5W)	1
35	4215180	TRAY HARNESS BRACKET	6
36	(SEE PAGE #40)	INSULATION BARRIER ASSEMBLY	1
37	4214002	LEFT RAIL SUPPORT	1
38	4214270	BACK RAIL SUPPORT - LEFT	1
39	4214271	BACK RAIL SUPPORT - RIGHT	1
40	4214282	TRAY SUPPORT SHIM PLATE	4
41	4214295	AIR DIVERTER	1

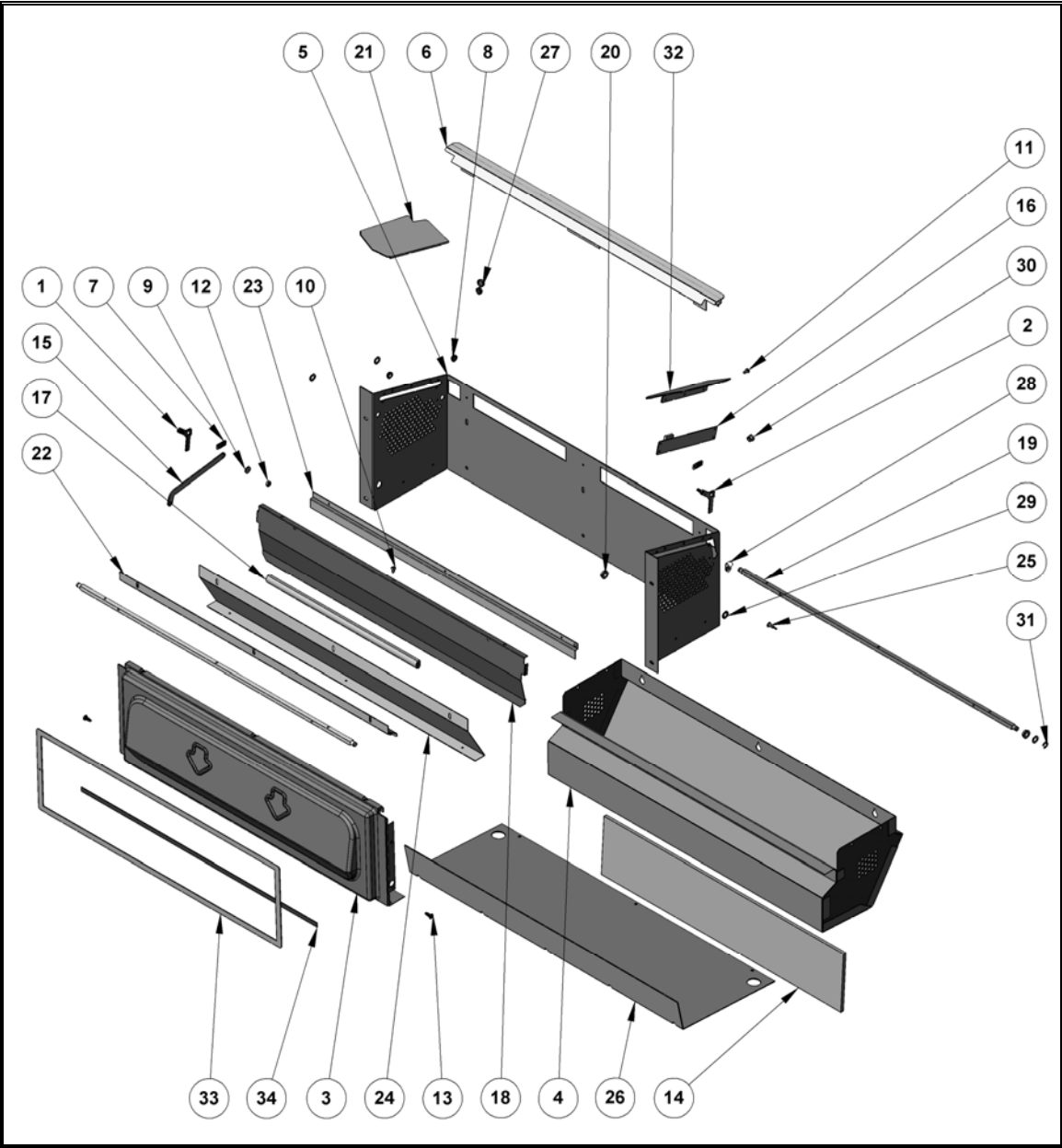
* SPECIFY COLOR

42	4214301	BOTTOM AIR BLOCK (TRAYS- 5W)	1
43	4214302	MIDDLE AIR BLOCK (5W)	2
44	4214303	AIR DEFLECTOR (5W)	1
45	4214747	SENSOR MOUNT	1
46	4214344	TEMP SENSOR (LOWER)	1
47	4214979	RIGHT SLIDE MOUNT	1
48	4215179	MOTOR HARNESS BRACKET	1
49	(SEE PAGE #29)	CONDENSER FAN ASSY	1
50	(SEE PAGE #24)	PLASTIC TRAY ASSEMBLY 5W	AS REQ'D
51	1217003	REFER MODULE ASSEMBLY (SEE PAGE #30)	1
52	4213784	PUSH BUTTON WIRE TIE	1
53	7250135.000	1 3/8 HOLE PLUG	2
54	4212490.002	RFI FILTER (15A)	1
55	4211555	BEVELED FOAM GASKET	AS REQ'D
56	4050423.001	8-18 X 3/8 PHIL PH BLK	10
57	4050423	8-18 X 3/8 PHIL PH TY	25
58	4033712	CABLE TIE 7 3/8"	3
59	4030100	BUSHING SPACER	2
60	4050420.001	8-18 X 1/4 PHIL HWH	5
61	4050241.001	8-18 X 1/4 PHIL PD	10
62	4215633	MEDIUM BINDER CLIP	1
63	4203468	SNAP - IN CLIP	1

(LIST OF THE PARTS NOT SHOWN)

64	4214346	TEMPERATURE SENSOR HARNESS	1
65	4214349	MOTOR HARNESS	1
66	4214357	LIGHT/GLASS HEATER HANESS	1
67	4214359	CABINET CONTROL HARNESS	1
68	4214360	POWER HARNESS	1

DELIVERY BOX ASSEMBLY (INDOOR & OUTDOOR)



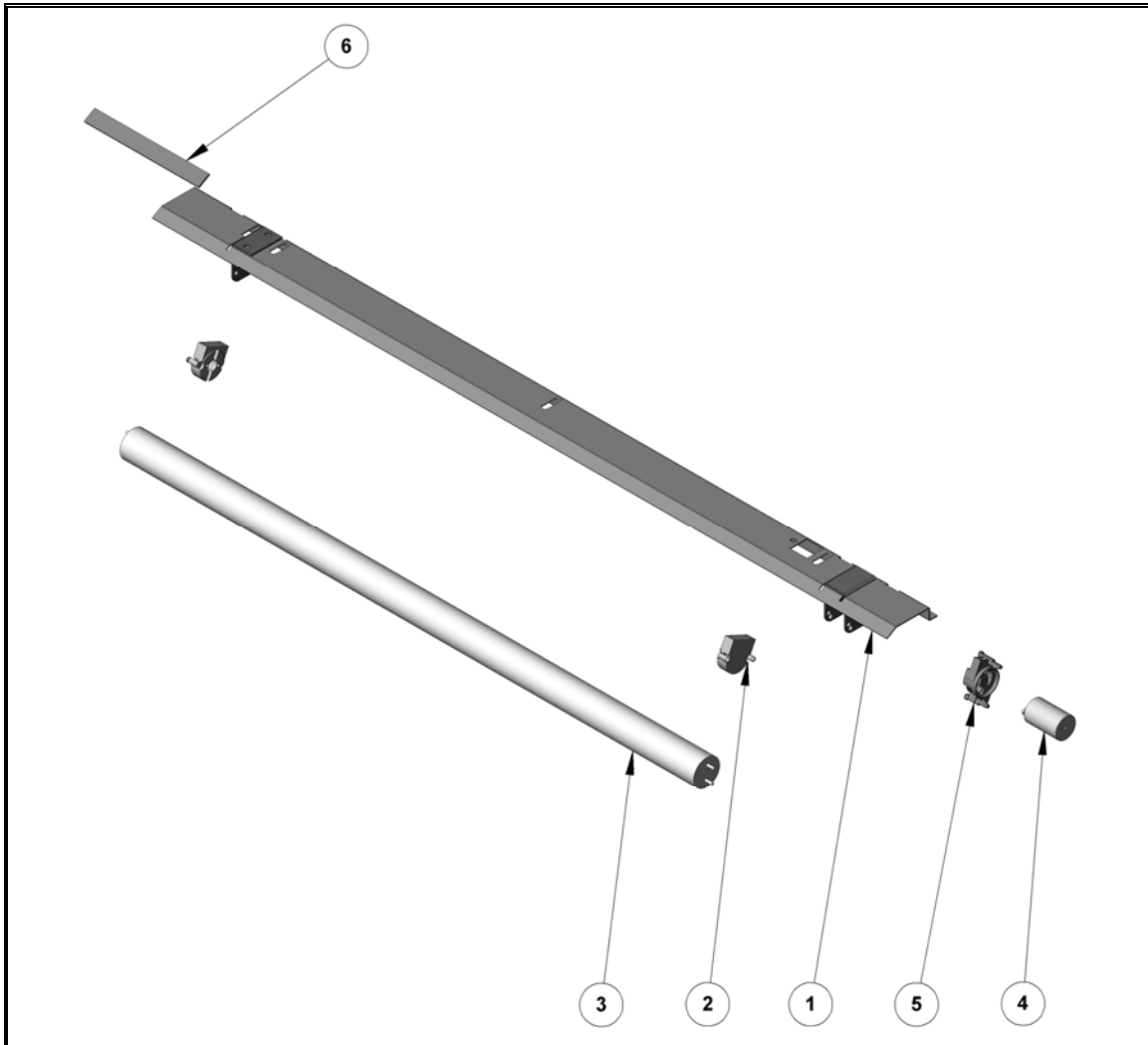
* SPECIFY COLOR

DELIVERY BOX ASSEMBLY PARTS LIST (INDOOR & OUTDOOR)

ITEM NO.	PART NUMBER	DESCRIPTION	QTY.
1	1216111.001	ANTI-CHEAT LINK STAKE	1
2	1216111.002	ANTI-CHEAT LINK STAKE	1
3	1216626.XXX	DELIVERY DOOR FOAM ASSEMBLY (5W) (SPECIFY TYPE)	1
4	1216693.005	DELIVERY BOX BOTTOM WELD	1
5	4214098.001	DELIVERY WRAPPER (5W)	1
6	1216851	DELIVERY BACK DEFLECTER WELDMENT (5W)	1
7	4021020	SPRING 9/32 x 1 3/32	2
8	4025263.001	TYPE #5 NYLINER 5/16 ID	2
9	4030100	SPACER BUSHING	4
10	4050239	8-32 x 3/8 PHIL PH TYP T	10
11	4050423	8-18 x 3/8 PHIL PH TY-A	19
12	4050511	8-32 HEX NUT TWO WAY LOCK	4
13	4205329	ARROW CLIP	2
14	4205705.004	DELIVERY PAD - 4W	1
15	4212462	DELIVERY LINK	2
16	4212464.010	DELIVERY SENSOR	1
17	4213532	D-GASKET	AS REQ'D
18	4214100	DELIVERY ANTI-CHEAT FRONT (5W)	1
19	4214105	DELIVERY SHAFT (5W)	2
20	4214112	NYLON SHOULDER BUSHING	2
21	4214122	LEFT SIDE DELIVERY DEFLECTOR	1
22	4214146	DELIVERY DOOR STOP (5W)	1
23	4214166	DELIVERY BACK ANTI-THEFT (5W)	1
24	4214170	DELIVERY DOOR BACK (5W)	1
25	4211310.375	BOARD STANDOFF	8
26	4215097.005	DELIVERY BOX FLOOR 5W FORMED	1
27	4215272	HINGED SCREW COVER	2
28	8324099.2	3/8 x 1/4 CLAMP	2
29	8324353	5/16 ID FLAT WASHER	8
30	8330164	8-32 THUMB NUT - BRASS	3
31	8801080	E-RING	4
32	4214121	RIGHT SIDE DELIVERY DEFLECTOR	1
33	4215091.005	GASKET RETENTION FRAME (5W)	1
34	4216448	1/32 X 3/8 DOUBLE ADHESIVE TAPE	AS REQ'D

* SPECIFY COLOR

LIGHT ASSEMBLY (INDOOR & OUTDOOR)



LIGHT ASSEMBLY PARTS LIST (INDOOR & OUTDOOR)

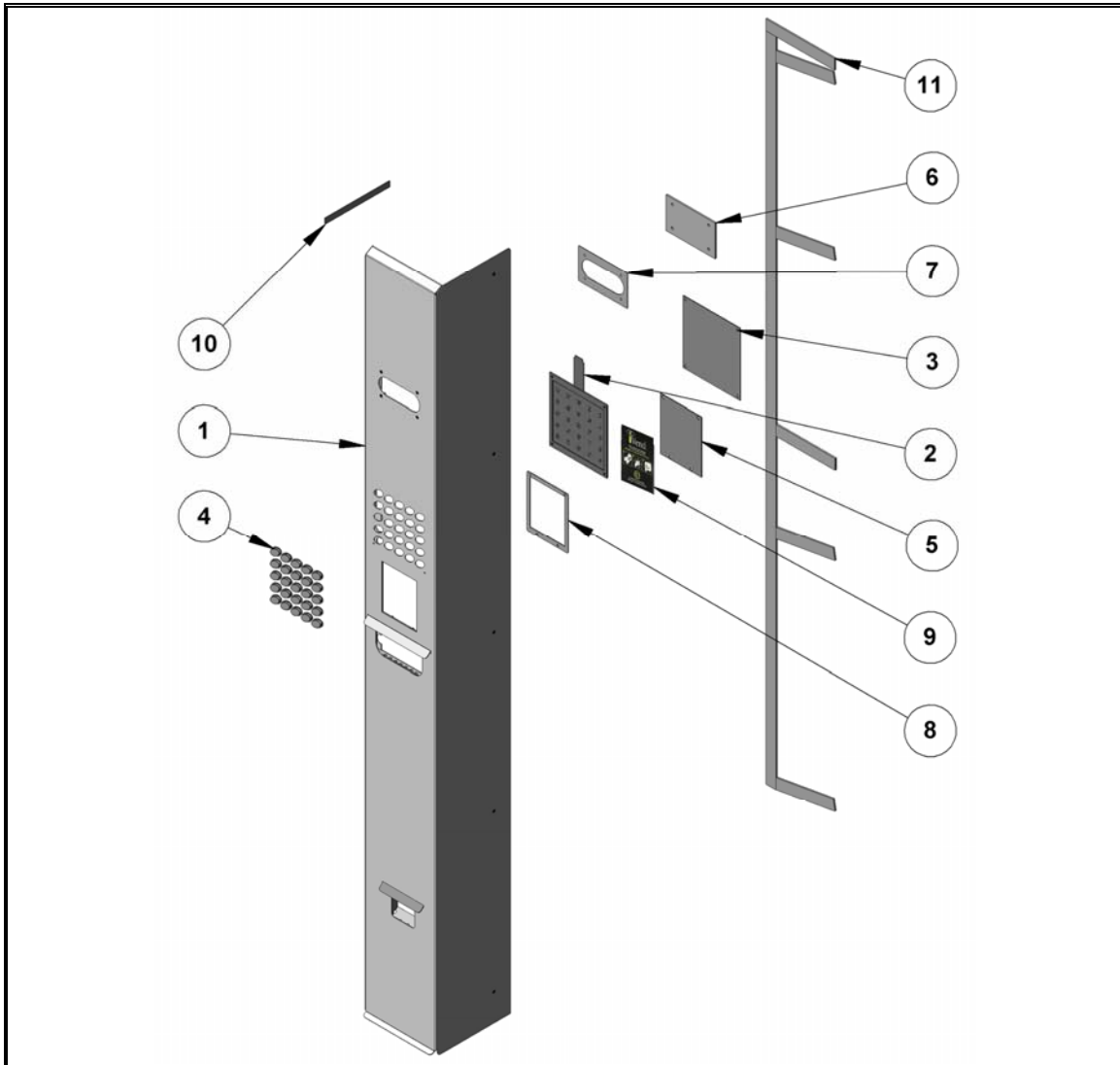
ITEM NO.	PART NUMBER	DESCRIPTION	QTY.
1	1216672	LIGHT WELD (5W)	1
2	4207171	LAMP SOCKET	2
3	4034135	LAMP 24"	1
4	4033661	STARTER FS-25	1
5	4208884	STARTER SOCKET	1
6	4209845	PROTECTIVE WINDOW SEAL ½"	AS REQ'D

(LIST OF THE PARTS NOT SHOWN)

7	4214353.005	LIGHT HARNESS (5W)	1
---	-------------	--------------------	---

* SPECIFY COLOR

SELECTOR PANEL ASSEMBLY (OUTDOOR ONLY)

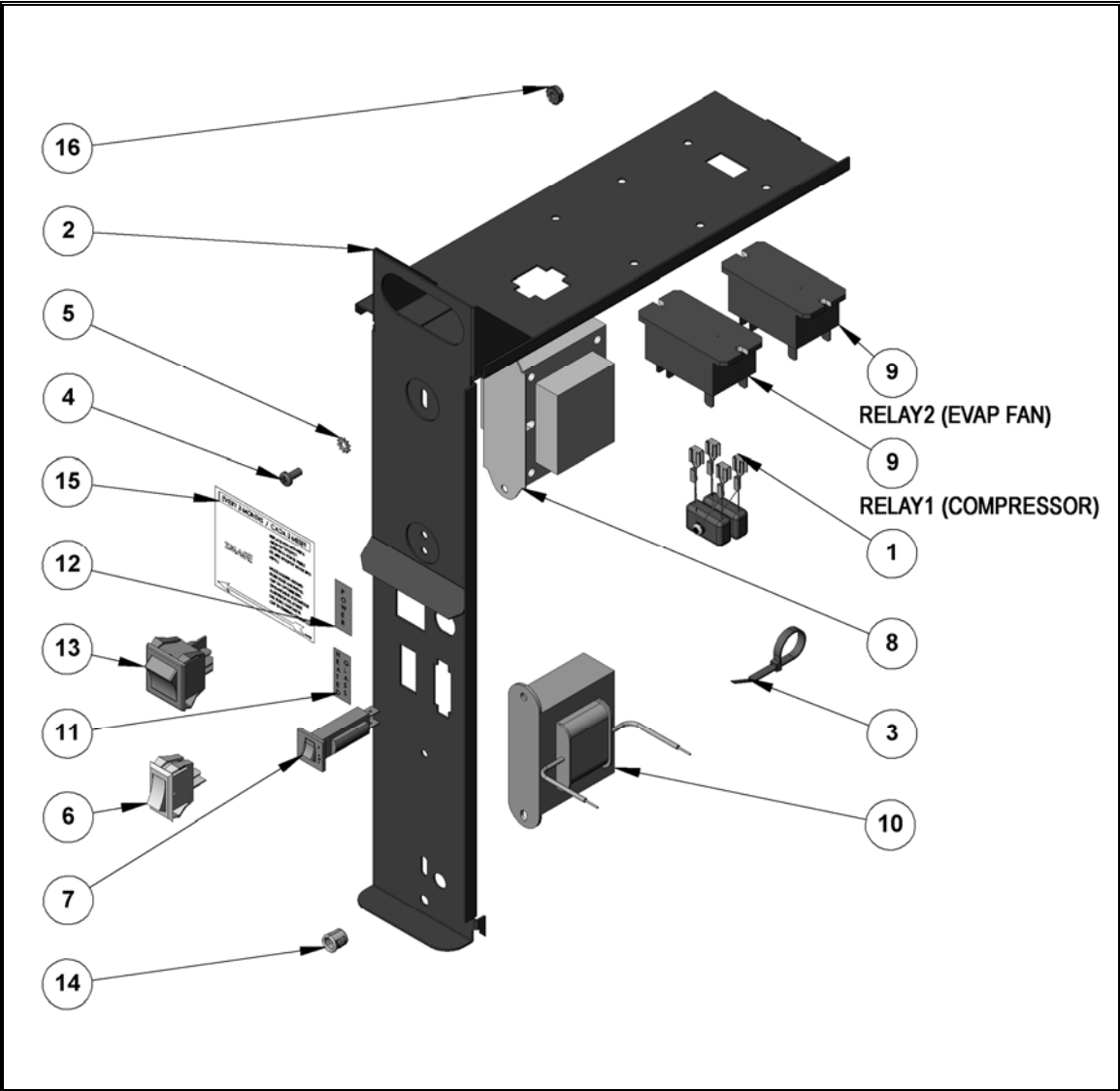


SELECTOR PANEL ASSEMBLY PARTS LIST (OUTDOOR ONLY)

ITEM NO.	PART NUMBER	DESCRIPTION	QTY.
1	1217184	SELECTOR PANEL COVER ASSY	1
2	4210951.005	KEYPAD 5 x 5 OUTDOOR	1
3	4210952	KEYPAD BACK PLATE	1
4	4210978	ELLIPSE BUTTON	25
5	4215704.001	WATER SHIELD BACKER	1
6	4215737	DISPLAY WINDOW	1
7	4215899	DISPLAY WINDOW GASKET	1
8	4215901	PERIPHERAL OPENING GASKET	1
9	4210396.XXX	FILLER DECAL – OPTION (SPECIFY TYPE)	1
10	4215119.002	1/16 X 1/2 FOAM TAPE	AS REQ'D
11	4215119.001	1/8 X 1 FOAM TAPE	AS REQ'D

* SPECIFY COLOR

POWER PANEL ASSEMBLY (INDOOR & OUTDOOR)



* SPECIFY COLOR

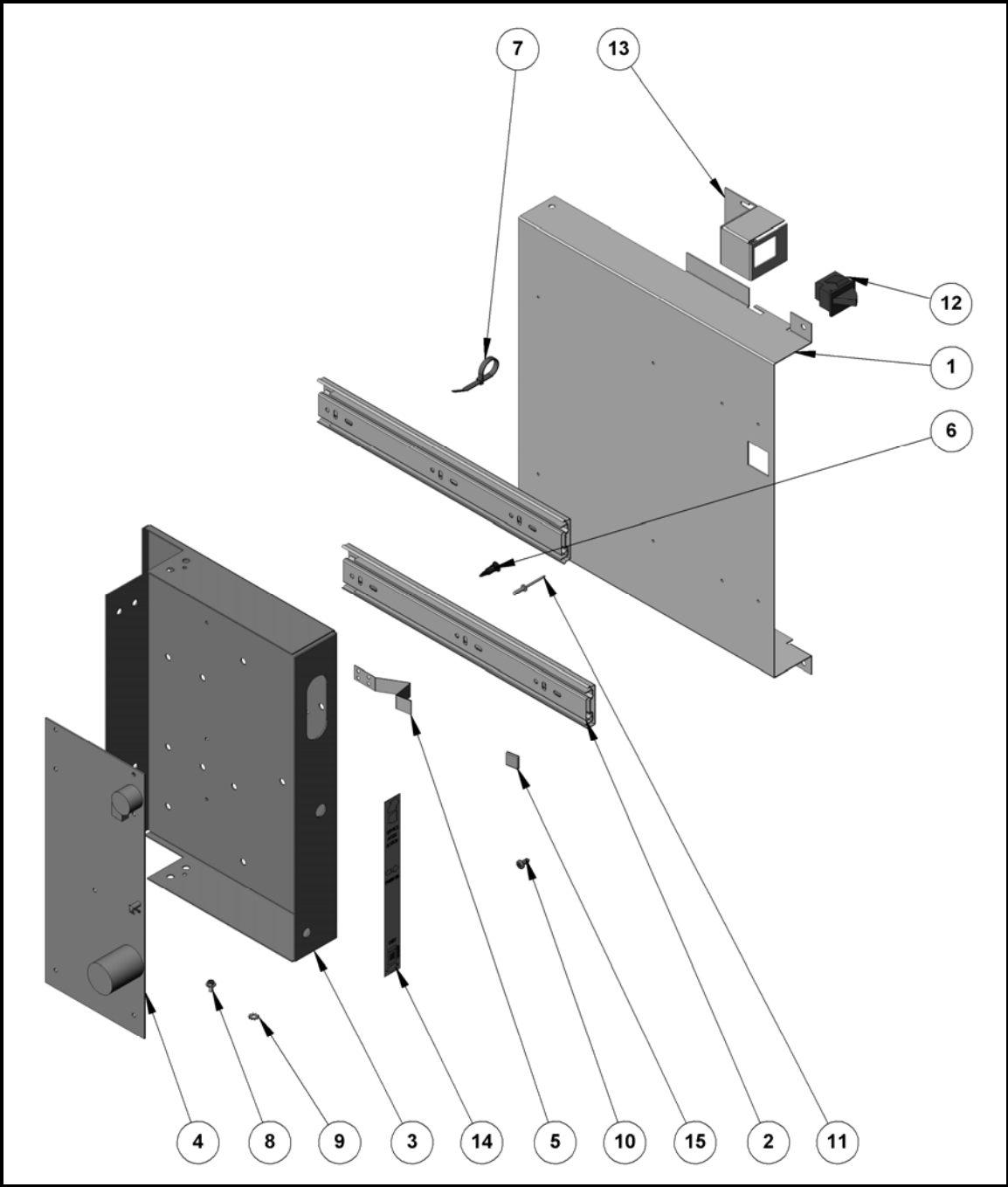
POWER PANEL ASSEMBLY PARTS LIST (INDOOR & OUTDOOR)

ITEM NO.	PART NUMBER	DESCRIPTION	QTY.
1	1216357	ARC SUPPRESSOR SNUBBER 110V	2
2	1216783	POWER PANEL WELD	1
3	4033712	CABLE TIE 7 3/8	2
4	4050240	8-32 x .375 PHIL PH MS	9
5	4050585	#8 EXT. SHAKE PROOF LOCKWASHER	3
6	4202088	ROCKER SWITCH - PUSH-IN	1
7	4203467.003	3 AMP CIRCUIT BREAKER	1
8	4206570.000	TRANSFORMER (110 VAC)	1
9	4206643	RELAY	AS REQ'D
10	4211387	TERMINATED BALLAST 110 VOLT	1
11	4212526	HEATED GLASS LABEL	1
12	4212527	POWER LABEL	1
13	4213627	DPST ROCKER SWITCH	1
14	4215006	BUSHING	1
15	4215101	AIR FILTER REPLACE LABEL	1
16	8800956	8-32 HEX NUT W/ETW	9

(LIST OF THE PARTS NOT SHOWN)

17	4214362	POWER PANEL PRIMARY HARNESS	1
18	4214363	POWER PANEL SECONDARY HARNESS	1
19	4214391	RELAY PRIMARY HARNESS	1

CONTROL BOARD MOUNTING ASSEMBLY (INDOOR & OUTDOOR)



* SPECIFY COLOR

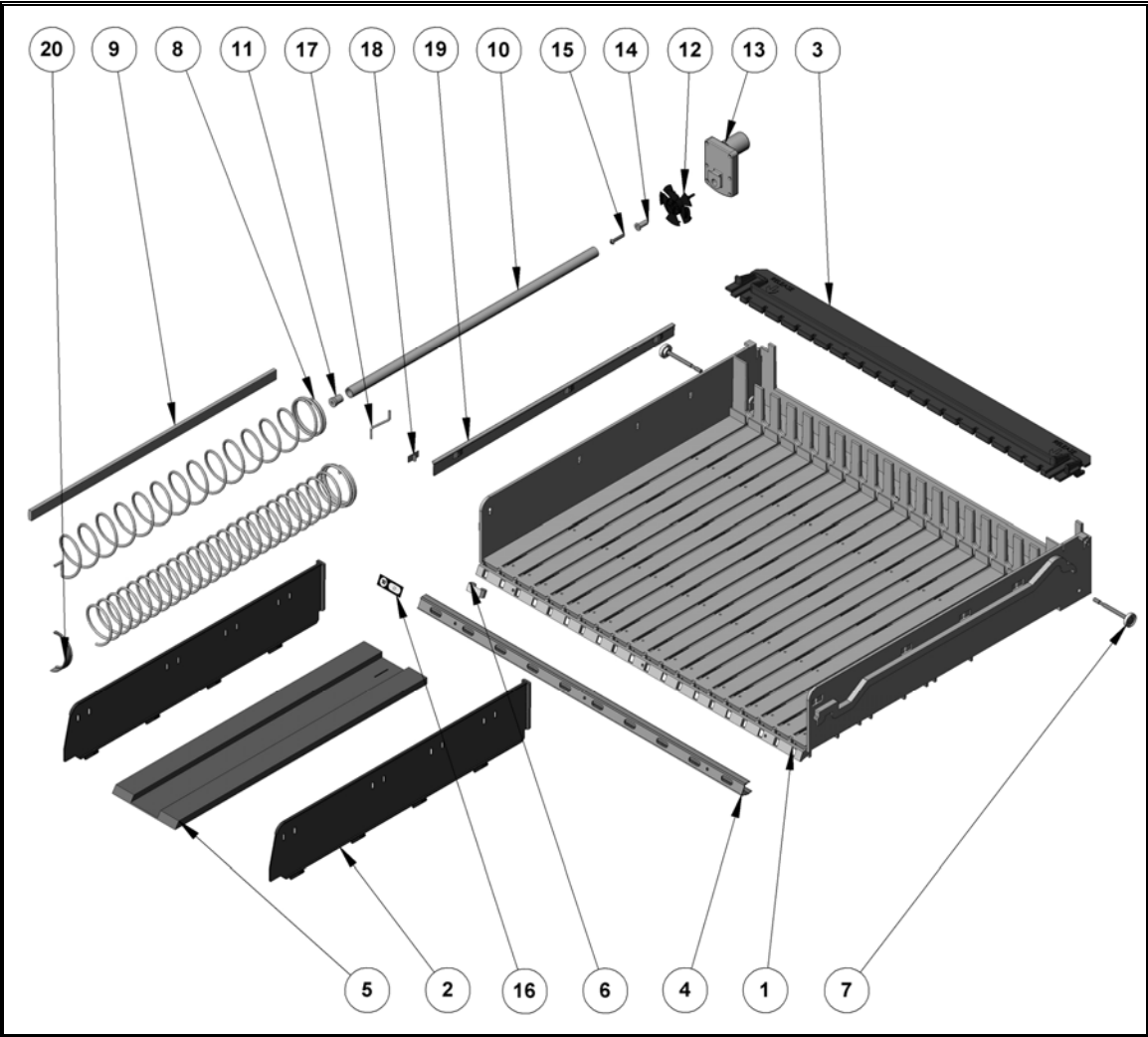
**CONTROL BOARD MOUNTING ASSEMBLY PARTS LIST
(INDOOR & OUTDOOR)**

ITEM NO.	PART NUMBER	DESCRIPTION	QTY.
1	4214215	DRAWER SLIDE MOUNT	1
2	4214745	DRAWER SLIDE	2
3	4214213	CONTROL BOARD MOUNT	1
4	4209893.XXX	SMVI CONTROL BOARD (SPECIFY SOFTWARE VERSION)	1
5	4215219	CONTROL BOARD LATCH	1
6	4206879	BOARD STANDOFF	1
7	4033712	CABLE TIE 7 3/8	1
8	4050420	8-18 x 1/4 PHIL HWH TY	1
9	4050585	#8 EXT. SHAKE PROOF LOCKWASHER	1
10	4050423	8-18 X 3/8 PPHD SMS	8
11	4050667	1/8 x 1/4 ALUM POP RVT	2
12	4212621	SWITCH	1
13	4214214	DOOR SWITCH MOUNT	1
14	4214947	SERVICE MODE LABEL	1
15	8620828	4 PIN COVER	1

(LIST OF THE PARTS NOT SHOWN)

17	4207902	DEX HARNESS	1
18	4214354	DOOR SWITCH HARNESS	1
19	4214355	CONTROLLER 24V HARNESS	1
20	4214356	CONTROLLER DOOR HARNESS	1
21	4214358	CONTROLLER MOTOR MATRIX HARNESS	1

PLASTIC TRAY ASSEMBLY (INDOOR & OUTDOOR)



* SPECIFY COLOR

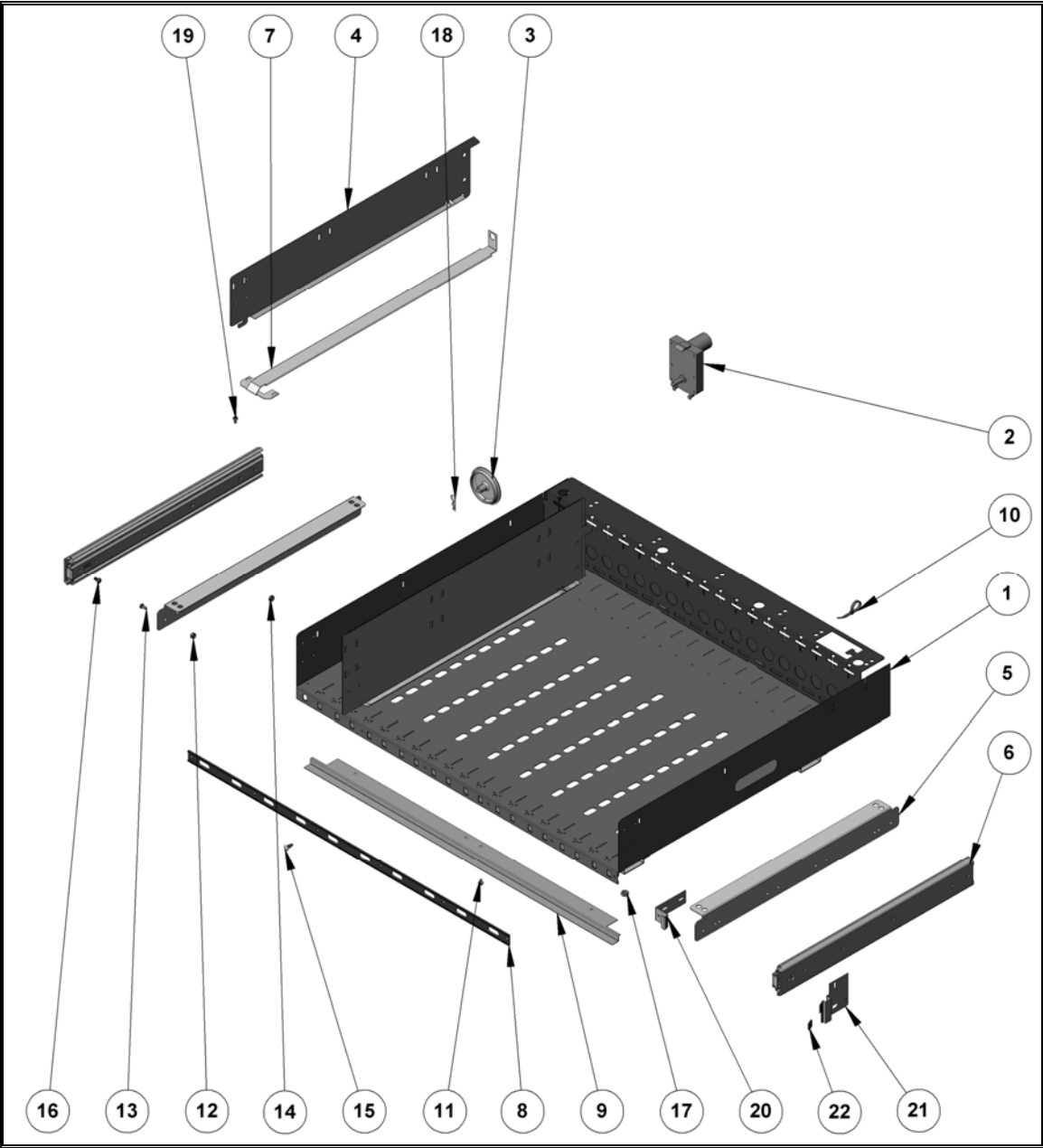
PLASTIC TRAY ASSEMBLY PARTS LIST (INDOOR & OUTDOOR)

ITEM NO.	PART NUMBER	DESCRIPTION
1	4210730.001	5W TRAY
2	4210732.001	DIVIDER
3	4210731.005	MOTOR COVER
4	4210733.005	TRAY EXTRUSION 5W
5	4200340	AUGER RETAINER
6	4213143.XXX	PRICE SCROLL (SEE PAGE #42)
7	4060670.009	ROLLER
8	VARIES	SPIRAL (SEE PAGE #41)
9	4202624.006	GUM & MINT SPACER STRIP
10	4202625.001	GUM & MINT HELIX TUBE
11	4203101	END CAP
12	4209502	AUGER COUPLING
13	VARIES	MOTOR (ROTATION/SINGLE/DUAL)
14	4210900	SHOULDER BUSHING
15	8810035	10-24 UNC x 1 TRUSS CROSS HE
16	4213017	SELECTION SCROLL COVER
17	8370998	SUPPORT-SPACER
18	4200281	SPRING CLIP (PLASTIC SHELF)
19	8370660.5	SPACER
20	4025748	PRODUCT EJECTORS

(LIST OF THE PARTS NOT SHOWN)

21	4214343.005	TRAY HARNESS
----	-------------	--------------

STEEL TRAY ASSEMBLY (INDOOR & OUTDOOR)



* SPECIFY COLOR

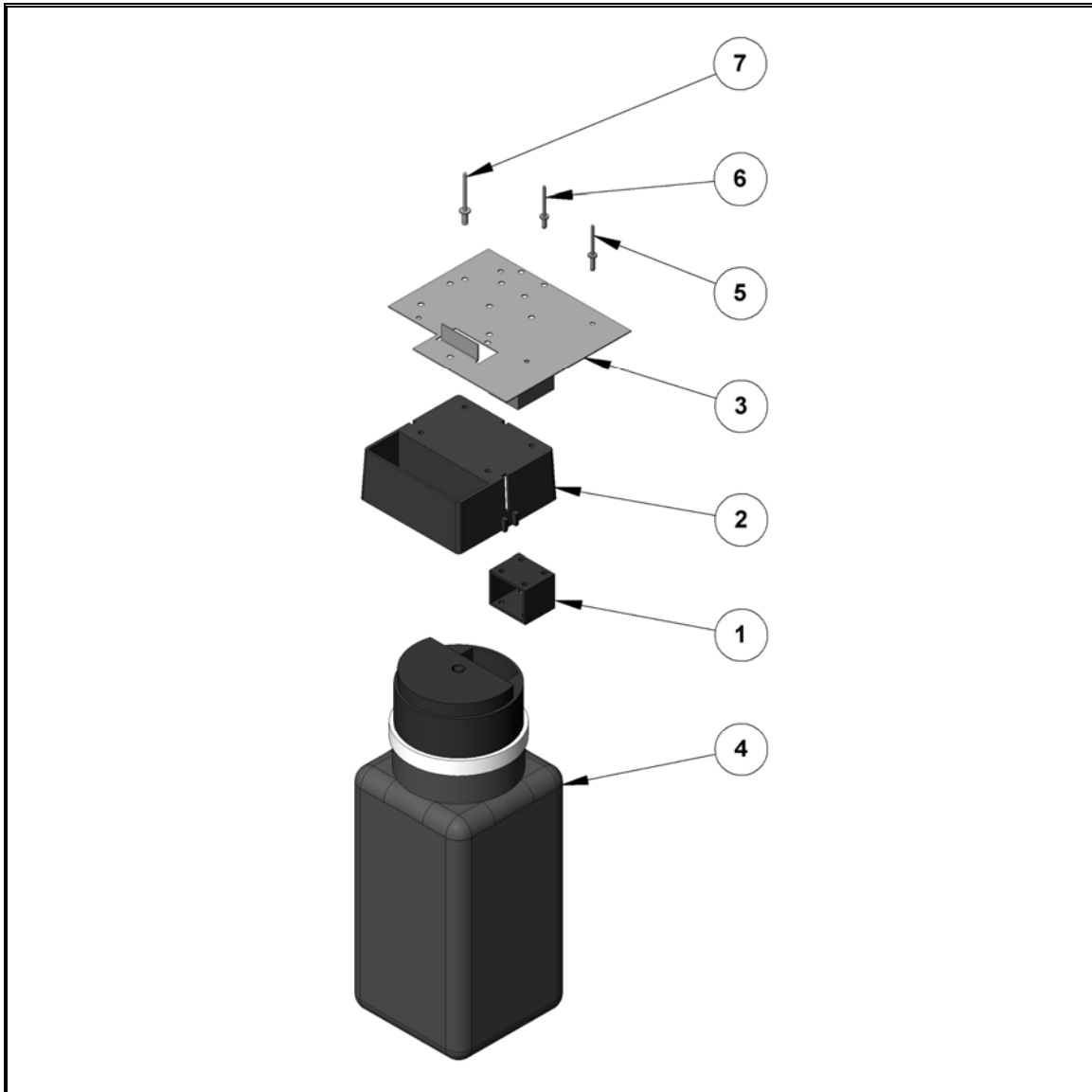
STEEL TRAY ASSEMBLY PARTS LIST (INDOOR & OUTDOOR)

ITEM NO.	PART NUMBER	DESCRIPTION
1	1216700	TRAY WELD (5 WIDE)
2	4209662	24 VDC MOTOR - shaft
3	4025745	AUGER COUPLING
4	4209261.001	DIVIDER
5	4214234	DRAWER SLIDE BRACE
6	4214233	DRAWER SLIDE
7	4214787	SPIRAL RETAINER
8	4214790	LABEL HOLDER (5 WIDE)
9	4214260	TRAY LIP (5W)
10	4033712	CABLE TIE 7 3/8
11	4050420	8-18 x 1/4 PHIL HWH TY
12	4050511	8-32 HEX NUT W/ETW
13	4050240	8-32 x .375 PHIL PH MS
14	8800956	8-32 HEX NUT W/ETW
15	4205329	ARROW CLIP
16	8800638	10-16 x 3/8 PHL PH TYPE
17	8800959	1/4-20 HEX NUT W/ETW
18	4214861	HITCH PIN CLIP
19	4050423.001	8-18 x 1/2 PHIL PH TY-A BLACK
20	4215085	SLIDE LATCH BRACKET
21	4214998	SLIDE LATCH
22	8620828	4 PIN COVER

(LIST OF THE PARTS NOT SHOWN)

23	4214343.005	TRAY HARNESS
----	-------------	--------------

HONOR GUARD OPTION (INDOOR & OUTDOOR)

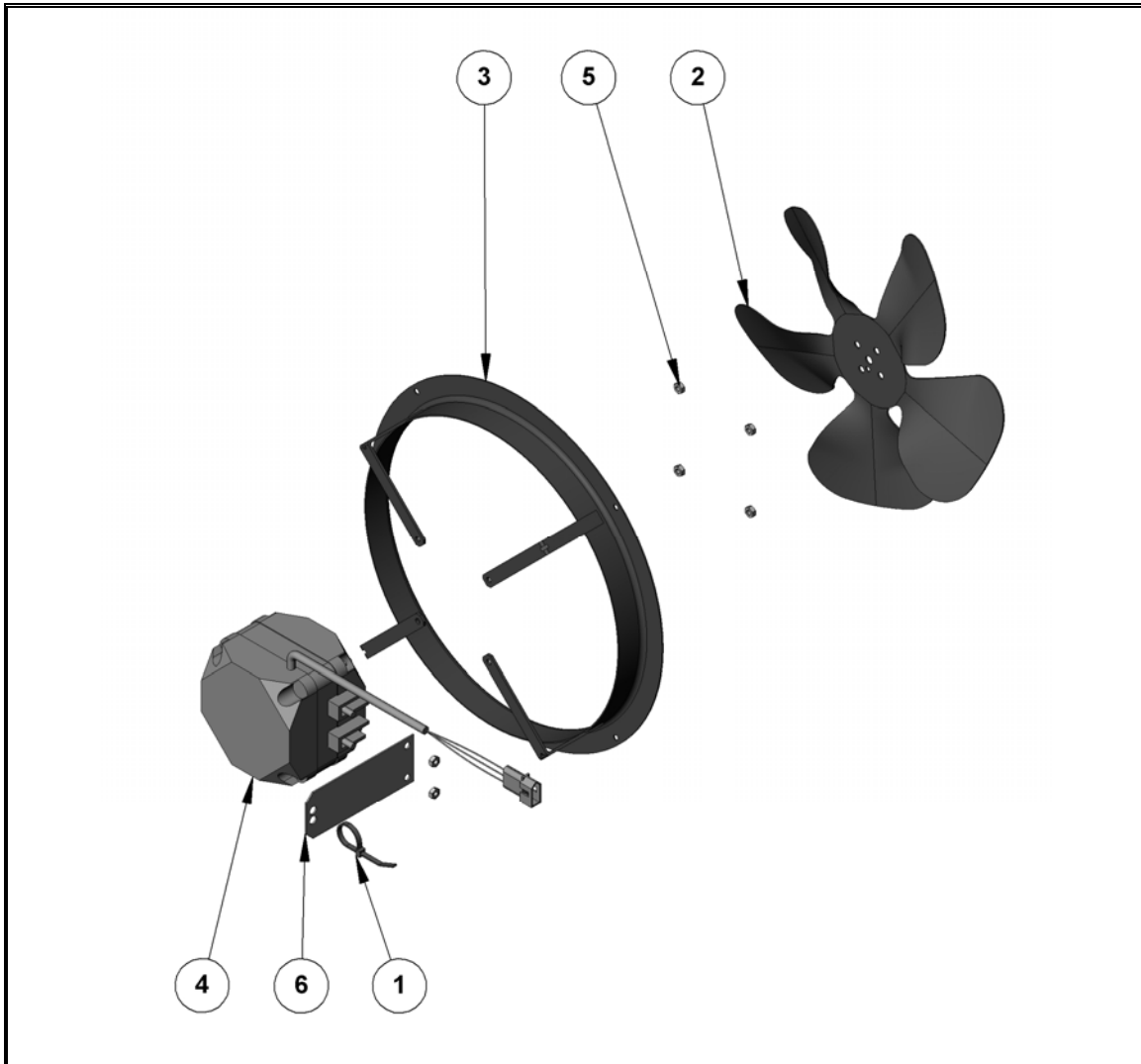


HONOR GUARD OPTION PARTS LIST (INDOOR & OUTDOOR)

ITEM NO.	PART NUMBER	DESCRIPTION	QTY.
1	HonorGard Lock Housing	OPTIONAL BY CUSTOMER KEY CODE	1
2	4215114.XXX	OPTIONAL BY CUSTOMER KEY CODE	1
3	4214080	HONOR GARD MTG PLATE	1
4	4212562.XXX	HONOR GUARD BAG	1
5	4050667	1/8 x 1/4 ALUMINIUM POP RIVET	4
6	4050667.001	1/8 x 1/4 ALUMINIUM POP RIVET	4
7	4212194	5/32 ALUMINIUM POP RIVET	3

* SPECIFY COLOR

CONDENSER FAN ASSEMBLY (INDOOR & OUTDOOR)

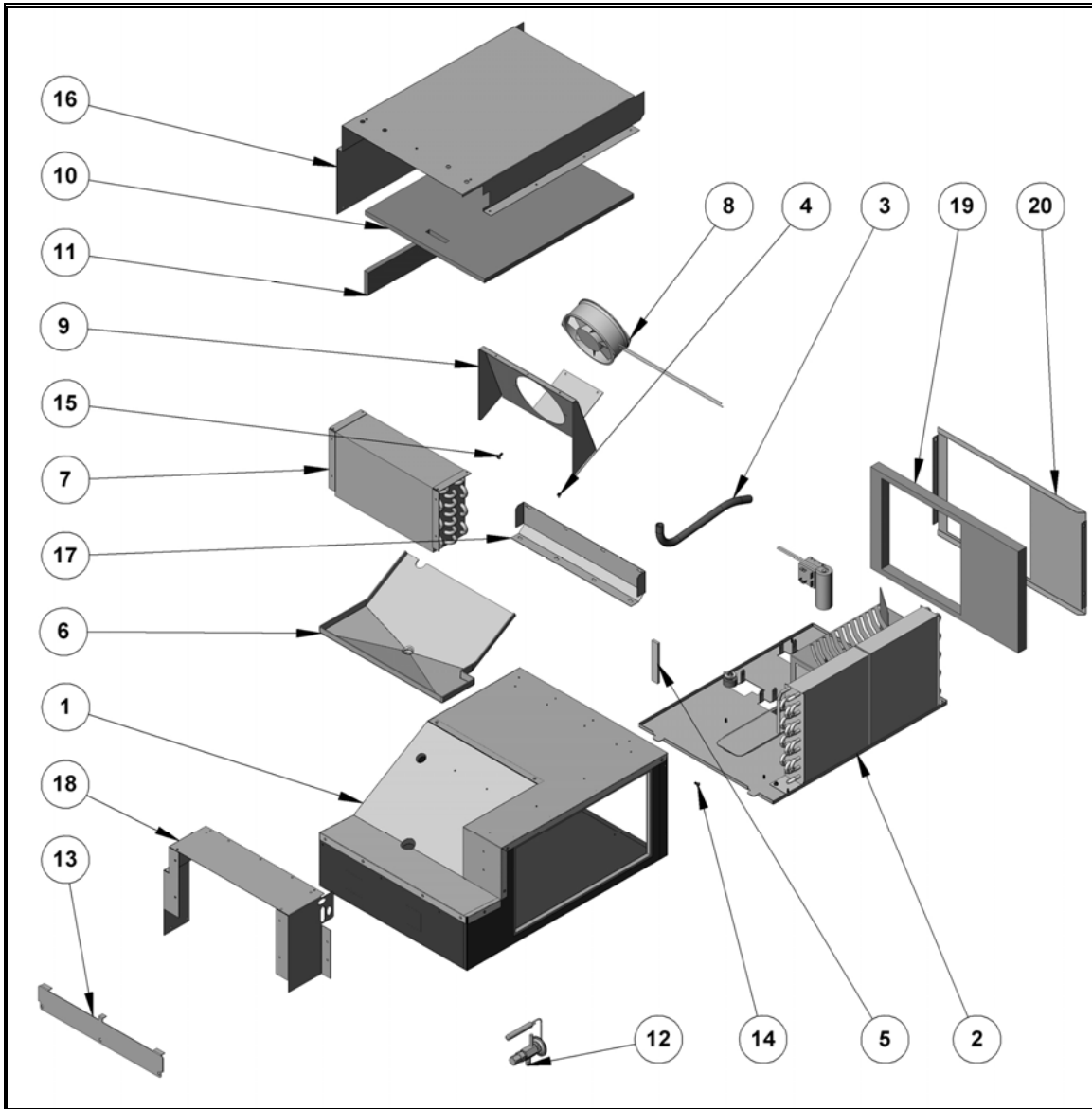


CONDENSER FAN ASSEMBLY PARTS LIST (INDOOR & OUTDOOR)

ITEM NO.	PART NUMBER	DESCRIPTION	QTY.
1	4033704	CABLE TIE 5.6	1
2	4214313	9.06 FAN BLADE 28~	1
3	4214778.001	CONDENSOR FAN VENTURI RING	1
4	4214798	MOTOR 16 WATT CONDENSOR	1
5	4215271	M4 X .7 HEX LOCK NUT	6
6	4215366	CONDENSOR FAN CABLE MOUNT	1

* SPECIFY COLOR

REFRIGERATION MODULE ASSEMBLY (INDOOR & OUTDOOR)



* SPECIFY COLOR

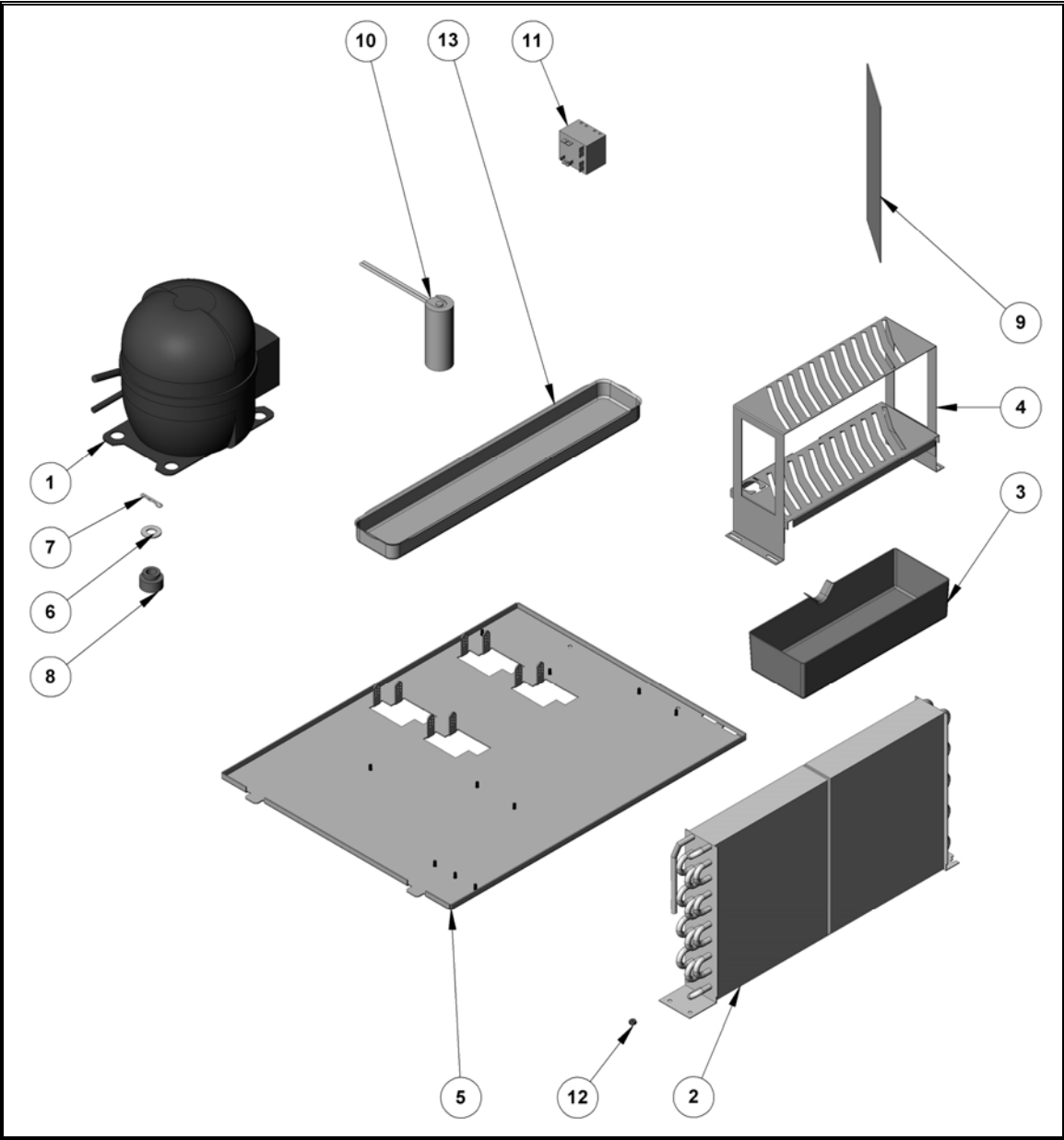
REFRIGERATION MODULE PARTS LIST (INDOOR & OUTDOOR)

ITEM NO.	PART NUMBER	DESCRIPTION	QTY.
1	1216809	MODULE-FOAMED	1
2	(SEE PAGE #32)	REFER BASE ASSEMBLY	1
3	4025410.500	MAYON TUBING GRAY	AS REQ'D
4	4050420	8-18 x 1/4 PHIL HWH TY	29
5	4202255	GASKET 1/4 x3/4 W/ADHESIVE	AS REQ'D
6	4214818	EVAPORATOR DRAIN PAN	1
7	4214819	EVAPORATOR	1
8	4214996	FAN/MOTOR	1
9	4214997	FAN MOUNT	1
10	4215092	AIR DUCT INSULATOR	1
11	4215092.001	AIR DUCT INSULATOR	2
12	4215110	EXPANSION VALVE	1
13	4215113	EVAP DRAIN PAN HOLDER	1
14	8800638	10-16 x 3/8 PHL PH TYPE	4
15	8800833	10-24 x 1/2 PHIL TH W/ETW	2
16	4215326	EVAPORATOR AIR DUCT	1
17	4215798	AIR BAFFLE	1
18	4215325	EVAPORATOR MOUNT	1
19	4214882	CONDENSOR FOAM FILLER	1
20	4214899	MODULE BACK	1

(LIST OF THE PARTS NOT SHOWN)

21	4201709	SOLDER SIL VER 15%	AS REQ'D
22	4205470	R-134a	AS REQ'D
23	4206366	INSULATION TUBING 72"	AS REQ'D
24	4212649	ALUM TAPE 2" 50 YD ROLL	AS REQ'D
25	4212656	5/8 ID INSUL TUBE W/SLIT	AS REQ'D
26	4214348	REFRIGERATION SYSTEM HARNESS	1
27	R .3994	PERMAGUM	AS REQ'D

REFRIGERATION BASE ASSEMBLY (INDOOR & OUTDOOR)

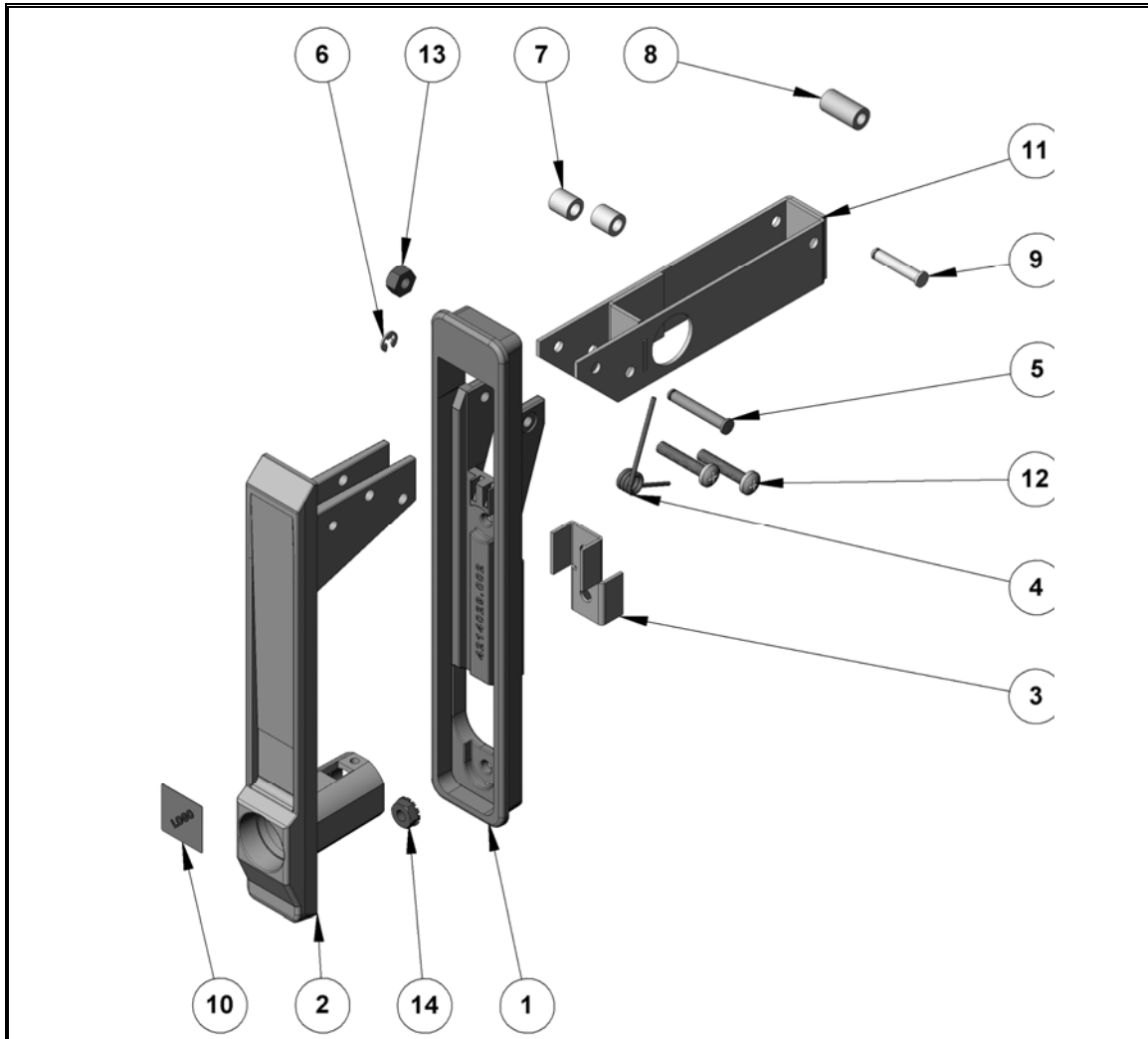


* SPECIFY COLOR

REFRIGERATION BASE ASSEMBLY PARTS LIST (INDOOR & OUTDOOR)

ITEM NO.	PART NUMBER	DESCRIPTION	QTY.
1	4213095	COMPRESSOR (SUPER 1/3)	1
2	1216651	1/3 H.P. CONDENSOR	1
3	4215256	DRAIN PAN	1
4	1216968	EVAPORATE CARD WELD	1
5	1216961	REFER BASE STAKE ASSY	1
6	4050608	1/2 FLAT WASHER-ZINC	4
7	4050773.001	#17 HITCH PIN CLIP	4
8	8323090.1	GROMMET-COMPRESSOR	4
9	4214735	EVAPORATE CARD	12
10	4212286	STARTING CAPACITOR	1
11	4212284	STARTER RELAY / 110V	1
12	8800955	6-32 HEX NUT W/ETW	6
13	7200623.000	DRAIN PAN (AUXILLARY)	1
(LIST OF THE PARTS NOT SHOWN)			
14	1216941	SUCTION LINE WELD	1
15	4205468.003	DRIER	1

DOOR HANDLE ASSEMBLY (INDOOR & OUTDOOR)

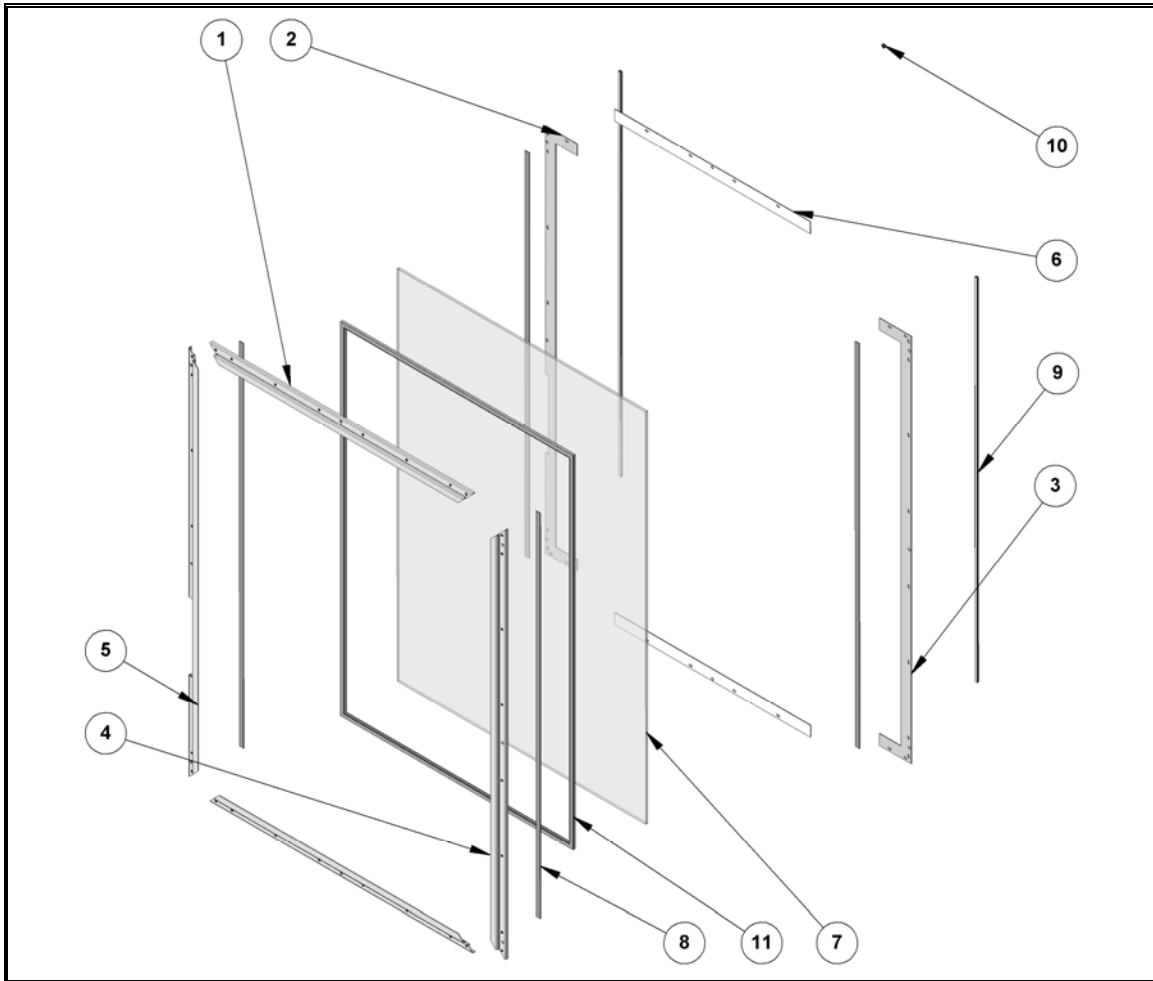


DOOR HANDLE ASSEMBLY PARTS LIST (INDOOR & OUTDOOR)

ITEM NO.	PART NUMBER	DESCRIPTION	QTY.
1	4214029.002	HANDLE BEZEL	1
2	4214029.001	FRONT HANDLE	1
3	4214029.003	PLUNGER LOCK PLATE	1
4	4214029.004	HANDLE SPRING	1
5	4214029.005	PIVOT PIN	1
6	8801069	5/32 E RING	2
7	4214029.006	HANDLE SPACER	2
8	4214029.008	HANDLE ROLLER	1
9	4214029.009	ROLLER PIN	1
10	4214029.010	HANDLE DECAL	1
11	1216704	CHANNEL WELD	1
12	4214029.014	8-32 X .875 PHILLIPS PAN HEAD MS	2
13	4050511	#8 - 32 HEX LOCK NUT	2
14	8800956	#8 - 32 HEX NUT (ATTACHES HANDLE TO DOOR)	2

* SPECIFY COLOR

GLASS PROTECTOR ASSEMBLY (OUTDOOR ONLY)



GLASS PROTECTOR ASSEMBLY PARTS LIST (OUTDOOR ONLY)

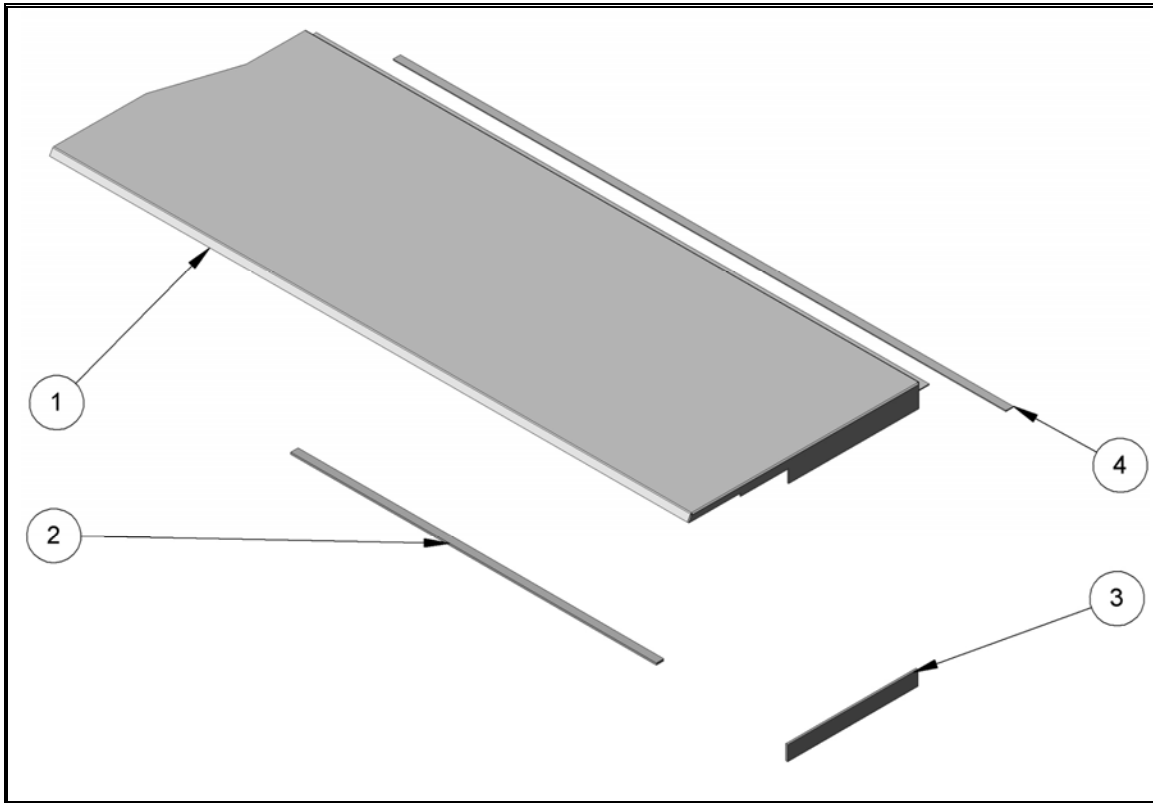
ITEM NO.	PART NUMBER	DESCRIPTION	QTY.
1	1216912	PROTECTIVE GLASS TOP & BOTTOM STAKE	2
2	4215078.001	GLASS RETAINER SIDE	1
3	4215078	GLASS RETAINER SIDE	1
4	1216907	GLASS PROTECTOR STAKE	1
5	1216907.001	GLASS PROTECTOR STAKE	1
6	4215073	GLASS RETAINER TOP AND BOTTOM	2
7	4215103	PROTECTIVE GLASS	1
8	4209845.002	PROTECTIVE WINDOW SEAL	AS REQ'D
9	4215365	D-GASKET	AS REQ'D
10	8800956	8-32 HEX NUT W/ETW	30
11	4215311.005	WINDOW GASKET	1

(LIST OF THE PARTS NOT SHOWN)

12	R .3994	PERMAGUM	AS REQ'D
----	---------	----------	----------

* SPECIFY COLOR

RAIN GUARD ASSEMBLY (OUTDOOR ONLY)

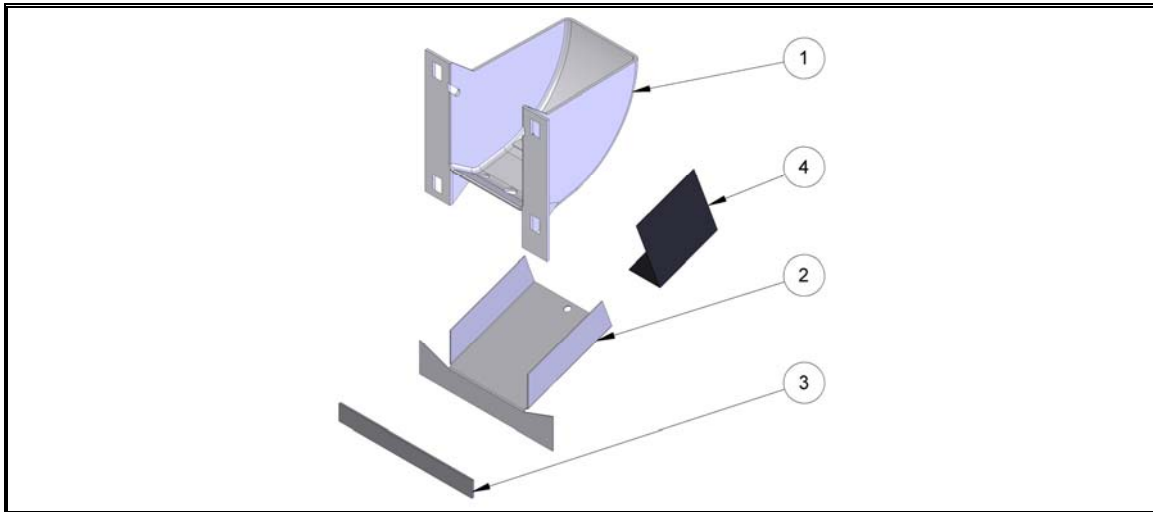


RAIN GUARD ASSEMBLY PARTS LIST (OUTDOOR ONLY)

ITEM NO.	PART NUMBER	DESCRIPTION	QTY.
1	1217174*	RAIN GUARD WELD	1
2	4215119	1/8 X 1/2 FOAM TAPE	AS REQ'D
3	4215119.001	1/8 X 1 FOAM TAPE	AS REQ'D
4	4215119.002	1/16 X 1/2 FOAM TAPE	AS REQ'D

* SPECIFY COLOR

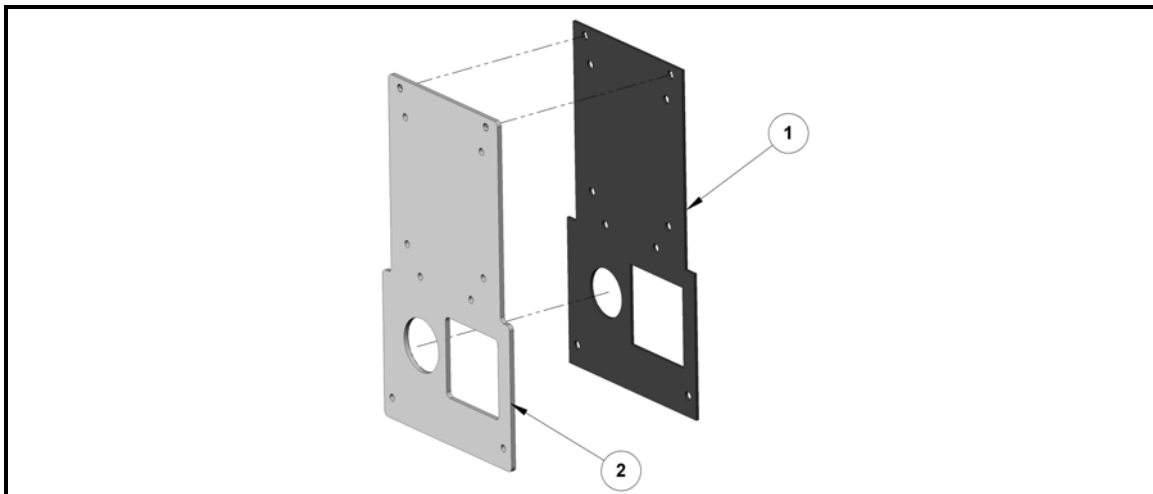
COIN CUP ASSEMBLY (OUTDOOR ONLY)



COIN CUP ASSEMBLY PARTS LIST (OUTDOOR ONLY)

ITEM NO.	PART NUMBER	DESCRIPTION	QTY.
1	4203207	COIN CUP	1
2	4215823	COIN CUP DRAIN BRACKET	1
3	4215119	½" FOAM TAPE	AS REQ'D
4	4212649	2" ALUMINUM TAPE	AS REQ'D
5	R.3994	SEAL-MASTIC PERMAGUM (NOT SHOWN)	AS REQ'D

COIN INSERT RETAINER ASSEMBLY (OUTDOOR ONLY)

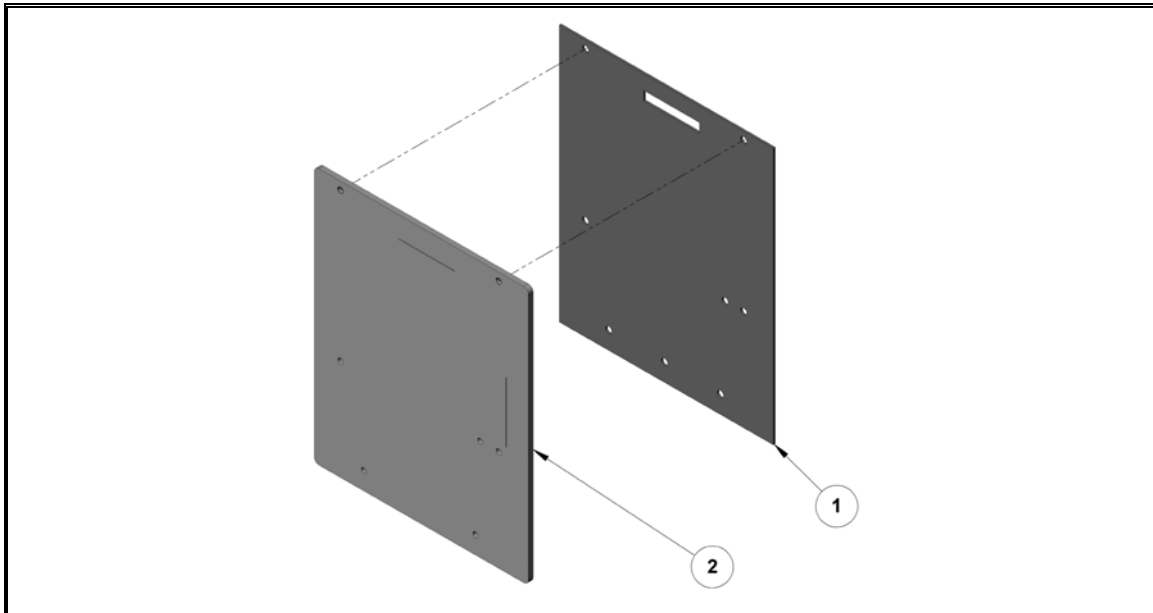


COIN INSERT RETAINER ASSEMBLY PARTS LIST (OUTDOOR ONLY)

ITEM NO.	PART NUMBER	DESCRIPTION	QTY.
1	4215844	COIN INSERT MOUNT	1
2	4215896	INSERT PLATE GASKET	1

* SPECIFY COLOR

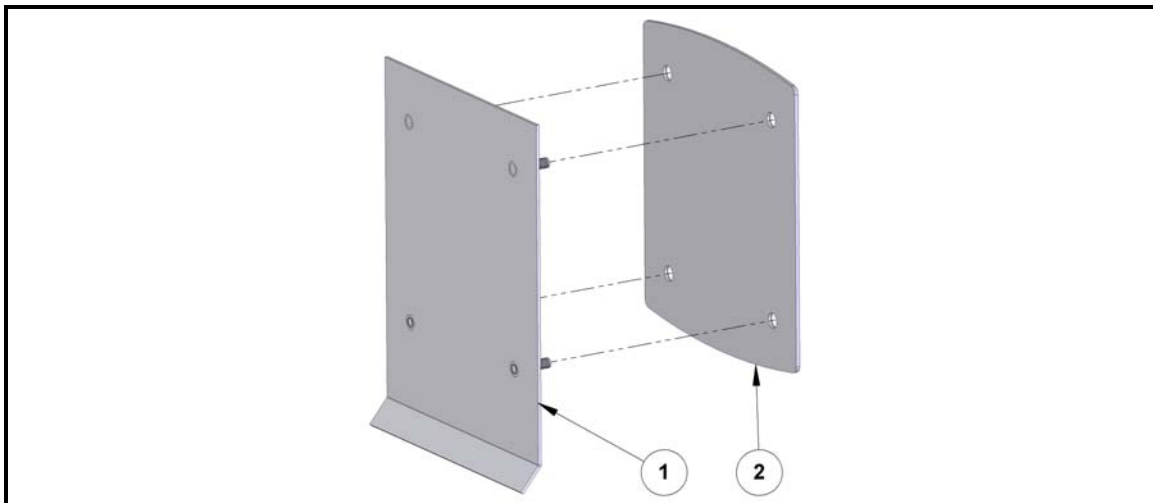
KEYPAD ACCESS ASSEMBLY (OUTDOOR ONLY)



KEYPAD ACCESS PARTS LIST (OUTDOOR ONLY)

ITEM NO.	PART NUMBER	DESCRIPTION	QTY.
1	4215849	KEYPAD ACCESS PANEL	1
2	4215898	ACCESS PANEL GASKET	1

VALIDATOR FILLER ASSEMBLY (OUTDOOR ONLY)

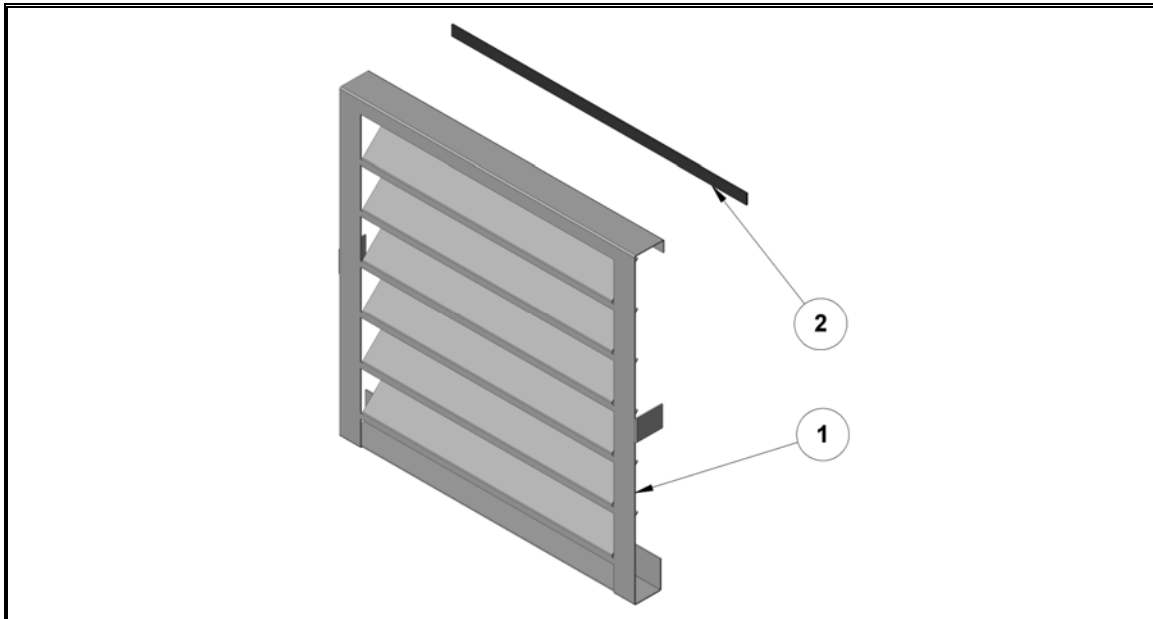


VALIDATOR FILLER ASSEMBLY PARTS LIST (OUTDOOR ONLY)

ITEM NO.	PART NUMBER	DESCRIPTION	QTY.
1	4215843.001	VALIDATOR FILLER	1
2	4215897	VALIDATOR FILLER GASKET	1

* SPECIFY COLOR

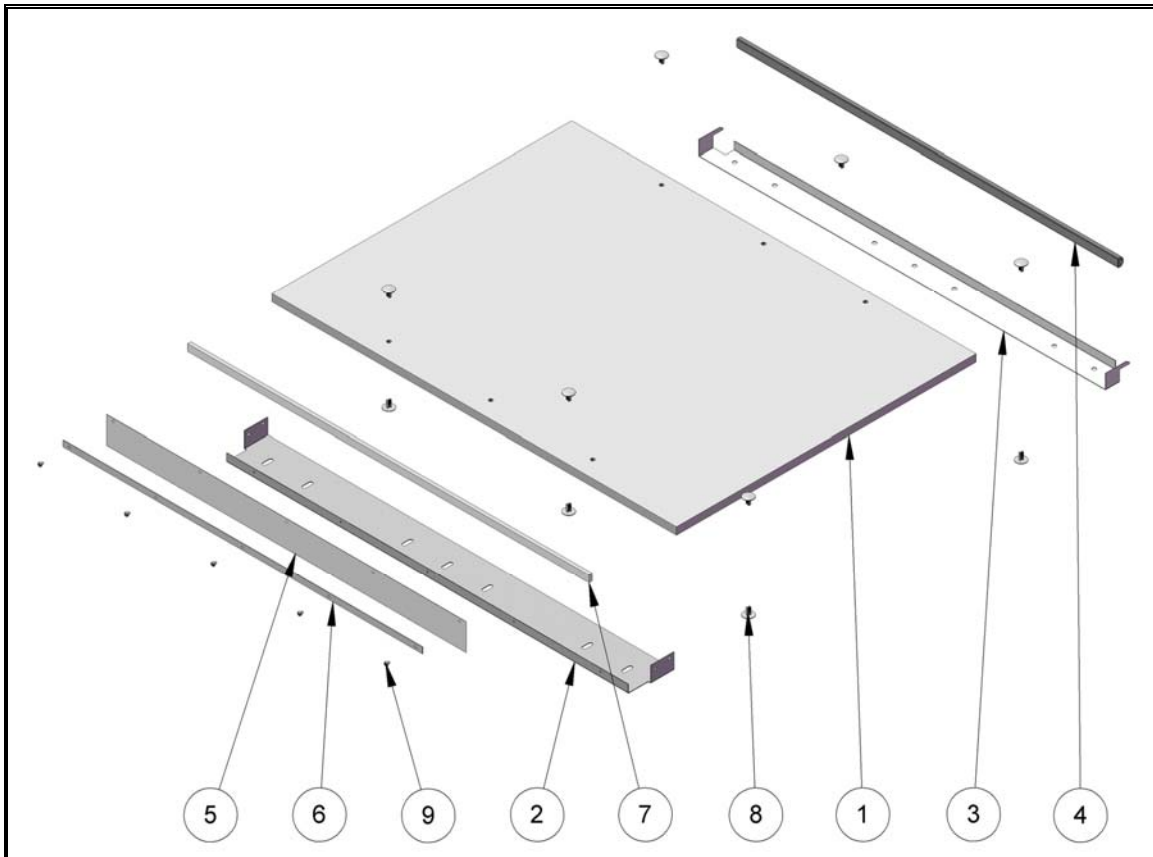
BACK SCREEN COVER ASSEMBLY (INDOOR & OUTDOOR)



BACK SCREEN COVER ASSEMBLY PARTS LIST (INDOOR & OUTDOOR)

ITEM NO.	PART NUMBER	DESCRIPTION	QTY.
1	4215819	BACK SCREEN COVER	1
2	4215119	½" FOAM TAPE	1

INSULATION BARRIER ASSEMBLY (INDOOR & OUTDOOR)



INSULATION BARRIER ASSEMBLY PARTS LIST (INDOOR & OUTDOOR)

ITEM NO.	PART NUMBER	DESCRIPTION	QTY.
1	4214292.005	INSULATING BARRIER	1
2	4215918	FRONT BARRIER BRACE	1
3	4215919	BACK BARRIER BRACE	1
4	4213532	D-GASKET	AS REQ'D
5	4215056	TRAY GAP CURTAIN (5W)	1
6	4215058	CURTAIN RETAINER PLATE (5W)	1
7	4060006.5	1/4" X 1/2" FOAM TAPE	AS REQ'D
8	4215939	BARBED RIVET	12
9	4201942	6-20 X 3/16 PHIL PH TYP B	5

* SPECIFY COLOR

OPTIONAL SPIRALS (INDOOR & OUTDOOR)

SINGLE SPIRAL - CCW PART NUMBER	DUAL SPIRAL - CW PART NUMBER	SPIRAL SIZE	SPIRAL COUNT	ESTIMATED PRODUCT SIZE INCHES (MM)
4200272.100309	4205532.100309	Candy	15	1.22 (31)
4200272.101309	4205532.101309	Candy	18	1.00 (25)
4200272.102309	4205532.102309	Candy	24	0.71 (18)
4200272.103309	4205532.103309	Candy	30	0.51 (13)
4200272.104309	4205532.104309	Candy	12	1.55 (39)
4200272.105309	4205532.105309	Candy	9	2.10 (53)
4200272.106309	4205532.106309	Candy	6	3.16 (80)
4200272.107309		Snack	10	1.89 (48)
4200272.108309		Snack	12	1.55 (39)
4200272.109309		Snack	15	1.22 (31)
4200272.110309		Snack	7	2.71 (69)
4200272.111309		Snack	8	2.37 (60)
4200272.131309	4205532.131309	Candy	10	1.89 (48)
4200272.132309	4205532.132309	Candy	11	1.72 (44)
4200272.133309		Snack	30	0.51 (13)
4200272.134309	4205532.134309	Snack	18	1.00 (25)
4200272.137309		Snack	11	1.72 (44)
4200272.138309		Snack	6	3.16 (80)
4200272.139309		Snack	5	3.50 (89)
4200272.140309		Snack	12	1.63 (41)
4200272.141309		Candy	29 1/2	0.52 (13)
4200272.142309	4205532.142309	Candy	8	2.37 (60)
4200272.145309	4205532.145309	Candy	5	3.50 (89)
4200272.147309	4205532.147309	Candy	4	4.38 (111)
4200272.148309	4205532.148309	Candy	3	5.80 (147)
4202313.100309		G&M	18/36	1.00 (25)
4202313.102309		G&M	24/48	0.71 (18)
4202313.103309		HiCap	30/60	0.50 (13)
4202313.104309		HiCap	24/48	0.71 (18)
4202313.105309		HiCap	18/36	1.00 (25)
4202313.106309		HiCap	15/30	1.22 (31)
4202313.107309		G&M	20/40	0.86 (22)
4202313.108309		HiCap	12/24	1.55 (39)

* SPECIFY COLOR

OPTIONAL PRICE SCROLLS (INDOOR & OUTDOOR)

PRICE SCROLL PART NUMBER	SCROLL PRICE RANGE	COUNTRY
4213143.001	FREE AND .35-1.00 (.05 increments)	USA
4213143.002	.05-.30 AND 1.05 to 1.45 (.05 increments)	USA
4213143.003	1.50 TO 2.20 (.05 increments)	USA
4213143.004	2.25 TO 2.95 (.05 increments)	USA
4213143.005	3.00 TO 3.70 (.05 increments)	USA
4213143.006	3.75 TO 4.45 (.05 increments)	USA
4213143.007	4.50 TO 5.20 (.05 increments)	USA
4213143.008	5.25 TO 5.95 (.05 increments)	USA
4213143.009	6.00 TO 6.70 (.05 increments)	USA
4213143.010	6.75 TO 7.45 (.05 increments)	USA
4213143.011	7.50 TO 8.20 (.05 increments)	USA
4213143.012	8.25 TO 8.95 (.05 increments)	USA
4213143.013	9.00 TO 9.70 (.05 increments)	USA
4213143.014	9.75 TO 10.45 (.05 increments)	USA
4213143.015	11.00 TO 25.00 (1.00 increments)	USA
4213143.016	30.00 TO 100.00 (5.00 increments)	USA
4213143.017	1.5 TO 8.5 (0.5 increments)	MEXICO
4213143.018	9.0 TO 16.0 (0.5 increments)	MEXICO
4213143.019	0.5 TO 1.0 AND 16.5 TO 22.5 (0.5 increments)	MEXICO
4213143.020	1.00 TO 2.40 (0.10 increments)	AUSTRALIA/NZ
4213143.021	2.50 TO 3.90 (0.10 increments)	AUSTRALIA/NZ
4213143.022	300 TO 1600 (100 increments)	VENEZUELA
4213143.023	1700 TO 3000 (100 increments)	VENEZUELA
4213143.024	3100 TO 4400 (100 increments)	VENEZUELA
4213143.025	4500 TO 5800 (100 increments)	VENEZUELA
4213143.026	5900 TO 7200 (100 increments)	VENEZUELA
4213143.027	7300 TO 8600 (100 increments)	VENEZUELA
4213143.028	4.00 TO 7.50 (.25 increments)	USA
4213143.029	7.75 TO 11.25 (.25 increments)	USA
4213143.030	.50 TO 4.00 (.25 increments)	USA

* SPECIFY COLOR

NOTES

The contents of this publication are presented for informational purposes only, and while every effort has been made to ensure their accuracy, they are not to be construed as warranties or guarantees, express or implied, regarding the products or services described herein or their use or applicability. We reserve the right to modify or improve the designs or specifications of such products at any time without notice.



VendNet™
165 North 10th Street
Waukee, Iowa 50263
United States of America



	USA & Canada	International
Service	(800) 833-4411	(515) 274-3641
Parts	(888) 259-9965	
Email	vendnet@vendnetusa.com	
Web Site	www.vendnetusa.com	