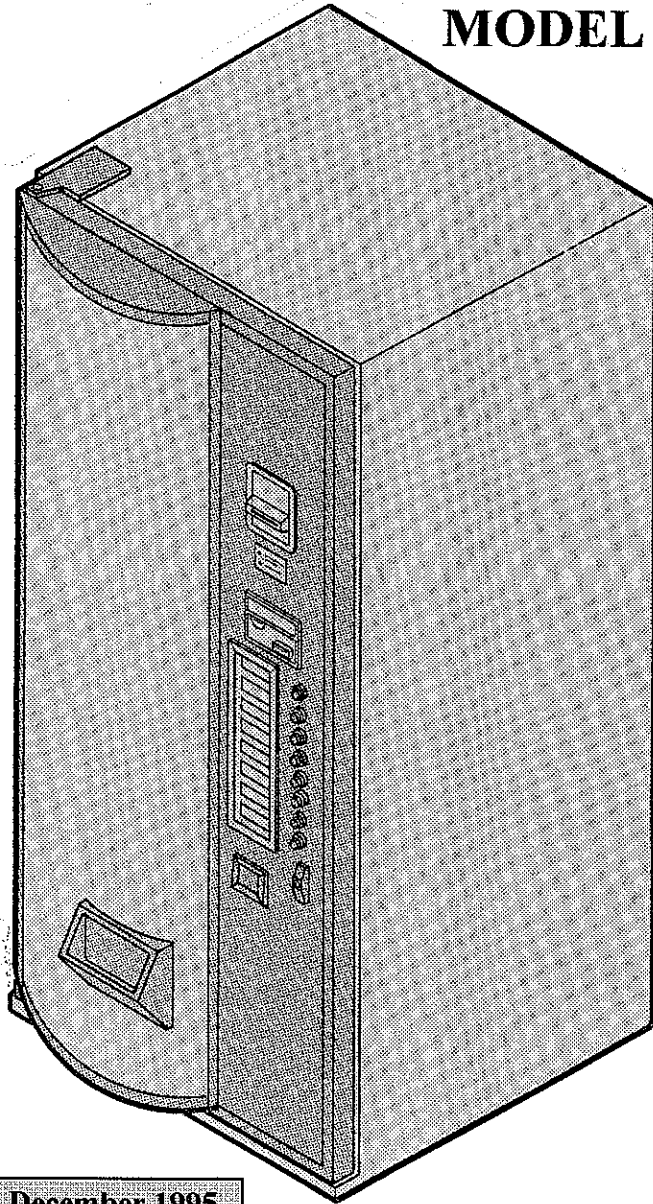


MINI 8

COLD DRINK VENDOR

MODEL 3040



PARTS MANUAL

December 1995

P/N 4207468

GENERAL INFORMATION:

Welcome to Selectivend, Inc., we offer you three convenient ways to order replacement parts. If you have any questions when placing your order, please call and we'll be happy to assist you. Please provide the following information when placing your order:

Quantity Required
Part Number
Shipping and Billing Address
Description
Preferred Method of Shipment
Vendor Model Number
Customer Account Number
Serial Number

- **MINIMUM ORDER \$25.00.** You may wish to inquire on prices of parts at the time of your order. If you order less than the minimum, please check our catalog for other parts you may require to bring your order up to the \$25.00 minimum order.
- **OPEN ACCOUNT** with approved credit.
- **MASTER CARD - VISA - C.O.D.**

If you have any questions, please call and we will be happy to assist you.

TO ORDER BY MAIL:

You may place your requirements for replacement parts by providing the necessary information as requested above, and mailing your order to:

Selectivend, Inc.
P.O. Box 488
165 North 10th Street
Waukee, Iowa 50263-0488

If you have any questions, call **(800-833-4411)**, ask for Selectivend Parts and we will be happy to assist you. Order forms are available upon request from Selectivend, Inc. Or you may use your own purchase order form.

TO ORDER BY FAX MACHINE: (515) 987-4447

You may Fax your order for replacement parts by providing the necessary information as requested above to Selectivend, Inc. By using our fax, **(515) 987-4447**.

TO ORDER BY PHONE: (800-833-4411)

You may call in your order for replacement parts. Ask for Selectivend Parts Department. Please provide the necessary information, as requested above, to allow us to provide you with prompt courteous service.

If you have any questions, so indicate and we will be happy to assist you.

RETURNS:

RESTOCKING CHARGE 20%. A restocking charge of 20% will apply to merchandise accepted by Selectivend for return, except items processed as warranty.

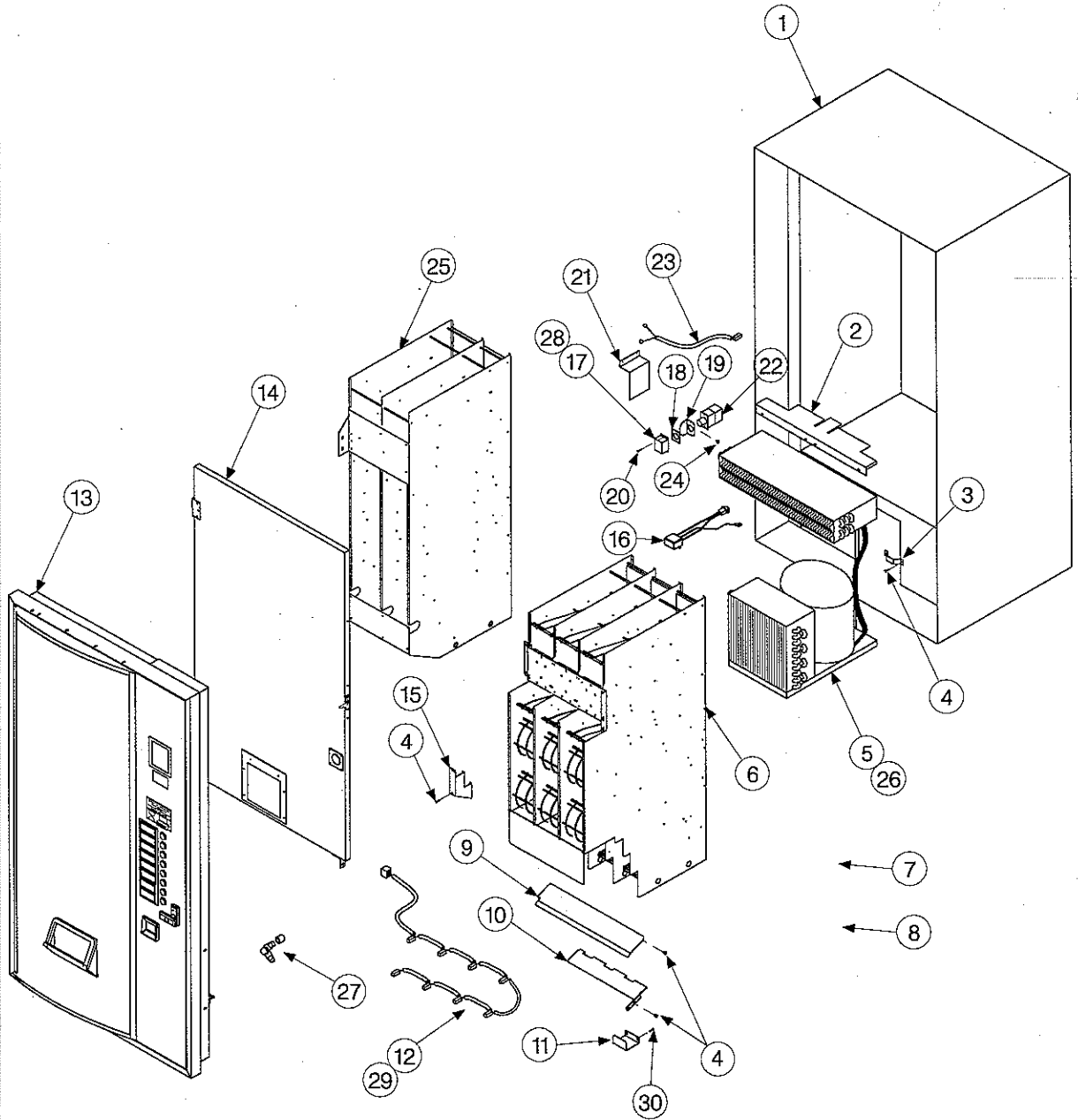
All items returned must be accompanied by a "material return tag" clearly stating the reason for return. Returns are to be shipped freight prepaid to Selectivend, Inc., 165 North 10th Street, Waukee, Iowa 50263-0488. (Return tags are available upon request from Selectivend.)

If you have any questions regarding returns, please call Selectivend, Inc. (800-833-4411), we will be happy to assist you.

LIMITATION OF LIABILITY:

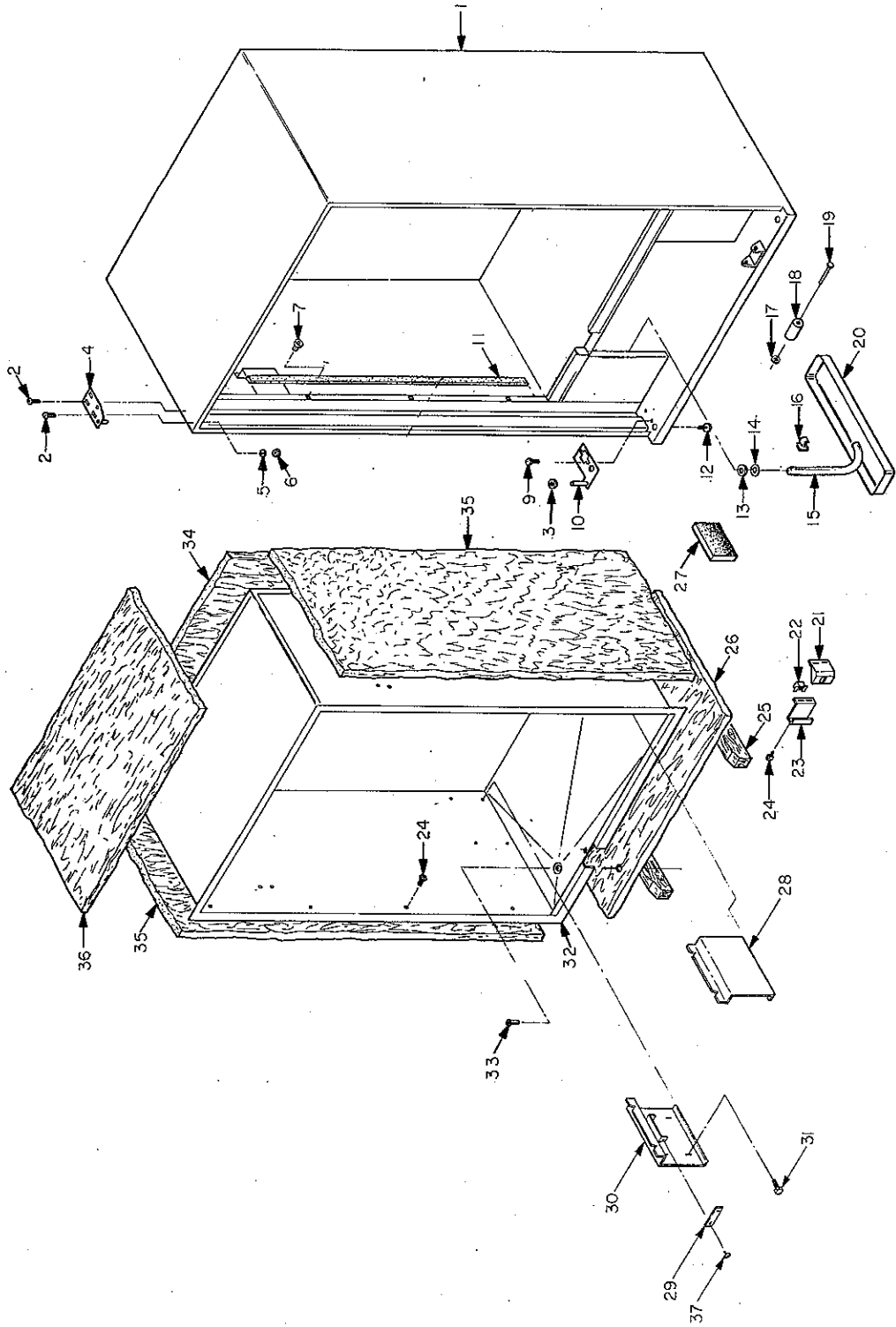
Selectivend, Inc. Shall not be liable for any injury, loss or damage, whether direct, incidental or consequential arising out of the use of or the inability to use any part, parts or products sold by Selectivend, Inc. The remedies of the buyer set forth herein are exclusive, and the liability of Selectivend, Inc. With respect to any contract or sale or anything done in connection herewith, whether in connection therewith, whether in contract, in tort, under any warranty, or otherwise, shall not, except as expressly provided herein, exceed the price of the part, parts or products on which such liability is based. Any statements or representations about the parts or product, other than those contained herein, do not constitute warranties and shall not be relied on by the buyer and shall have no force of effect unless contained in a written agreement signed by officers of Selectivend.

FINAL ASSEMBLY



| FINAL ASSEMBLY | | | |
|---|-------------|-----|--|
| ITEM | PART NUMBER | QTY | DESCRIPTION |
| 1 | | 1 | CABINET ASSEMBLY - See Page #4 |
| 2 | 4201979 | 1 | AIR BAFFLE |
| 3 | 4202883 | 1 | LINE RETAINER |
| 4 | 4050202 | 22 | #8-18 X 1/2 PHIL HWH TEK |
| 5 | 1212325 | 1 | REFRIGERATION SYSTEM - R134A - See Page #20 |
| 6 | 1212270 | 1 | DOUBLE SERPENTINE CAN RACK - See Page #6 |
| 7 | 1211443 | 5 | UPPER EJECTOR MECH - See Page #19 |
| 8 | 1211444 | 3 | LOWER EJECTOR MECH - See Page #19 |
| 9 | 4205211 | 1 | CAN SLIDE - UPPER |
| 10 | 4205212 | 1 | CAN SLIDE |
| 11 | 4202992 | 3 | MOTOR COVER |
| 12 | 4205274 | 1 | CABINET HARNESS |
| 13 | | 1 | COMPLETE DOOR ASSEMBLY - See Page #12 |
| 14 | 1212261 | 1 | INNER DOOR ASSEMBLY - See Page #10 |
| 15 | 4203254 | 1 | WIRE RETAINER |
| 16 | 4203730-002 | 1 | R.F.I. LINE FILTER |
| 17 | 4202747 | 1 | COLD CONTROL COVER |
| 18 | 7333084-000 | 1 | DECAL |
| 19 | 7332408-000 | 1 | BRACKET - THERMOSTAT |
| 20 | 4050234 | 2 | #8-32 X 3/8 PHIL TH MS |
| 21 | 4206246 | 1 | THERMOSTAT SHIELD |
| 22 | 4034324 | 1 | THERMOSTAT |
| 23 | 7332502-000 | 1 | SERVICE HARNESS |
| 24 | 7331309-000 | 2 | #8 X 1/2 PHIL TH TYPE "A" SMS |
| 25 | 1212266 | 1 | SINGLE SERPENTINE CAN RACK - See Page #8 |
| 26 | 4050781 | 2 | 5/16-18 X 1 1/4 HH TAPTITE |
| 27 | 4060330 | 1 | LOCK CYLINDER (With Keys) |
| 28 | 4202970 | 1 | COLD CONTROL LABEL |
| 29 | 8324099-9 | 4 | PLASTIC WIRE CLAMP - 1/2 x 3/4 (Not Shown) |
| 30 | 8800636 | 6 | #8-18 X 1/2 PHIL PH TYPE B |
| | 4206939 | 1 | TILT LABEL (Not Shown) |
| PARTS FURNISHED IN SERVICE PACKET NOT SHOWN ON ILLUSTRATIONS IN MANUAL | | | |
| | 1211018 | 1 | CAN STOP ASSEMBLY |
| | 4201907 | 1 | VALIDATOR PLATE |
| | 4202690-XXX | A/R | PRICE LABELS (Specify Prive Value) |
| | 4201846 | 1 | INSTALLATION INSTRUCTIONS - CAN STOP |
| | 4202997 | 1 | SERVICE MANUAL |
| | 4203252 | 1 | ANTI-CHEAT BRACKET |
| | 4207074 | 1 | INSTALLATION INSTRUCTIONS - ANTI CHEAT BRACKET |
| OPTIONAL KITS & ACCESSORIES NOT SHOWN | | | |
| | 1212593 | 1 | COIN BOX LOCK ASSEMBLY |
| | 4060366 | 1 | LOCK - COIN BOX |
| | 4205114 | 1 | LOCK CAM - COIN BOX |
| | 1200137-174 | 1 | HEATER KIT |
| | 1200137-259 | 1 | DRAIN PAN HEATER KIT (110 V) |
| | 1200137-260 | 1 | DRAIN PAN HEATER KIT (220 V) |
| | 1200137-165 | 1 | OUTER DOOR HASP KIT |
| | 4203252 | 1 | ANTI CHEAT BRACKET |
| | 4202975 | 1 | RAIN GUARD |
| | 7202038-000 | 1 | CUSTOM LOCK CYLINDERS (CODED TO CUSTOMER SPECS.) |

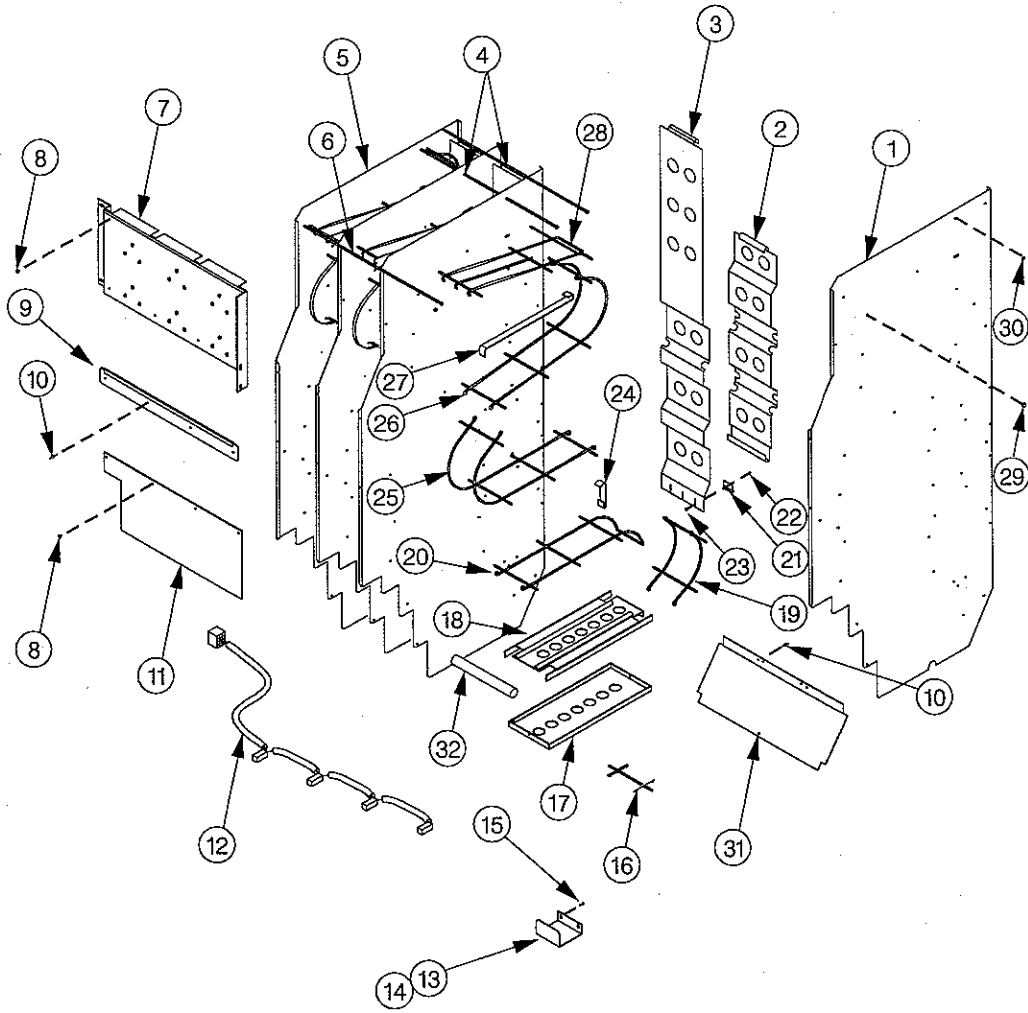
CABINET ASSEMBLY



CABINET ASSEMBLY

| ITEM | PART NUMBER | QTY | DESCRIPTION |
|------|-------------|--------|-----------------------------------|
| 1 | 1212242-XXX | 1 | CABINET WELD (Specify Color) |
| 2 | 4050393 | 4 | 1/4-20 X 3/4 CARRIAGE BOLT |
| 3 | 4050767 | 1 | 3/8 FLAT WASHER - NYLON |
| 4 | 1211385-XXX | 1 | TOP HINGE (Specify Color) |
| 5 | 4050084 | 4 | 1/4 SPLIT LOCKWASHER |
| 6 | 4050547 | 4 | 1/4-20 TWIN WHIZ NUT |
| 7 | 4202189 | 16 | SNAP IN PLASTIC SPRING |
| 9 | 8801388 | 2 | 5/16-18 X 3/4 HWH TYPE D |
| 10 | 1211384-XXX | 1 | BOTTOM HINGE (Specify Color) |
| 11 | 4202278-004 | 16 ft | FOAM TAPE |
| 12 | 4060310 | 4 | LEG LEVELER |
| 13 | 4050608 | 1 | 1/2 FLAT WASHER |
| 14 | 4202284 | 1 | .500 DIA PUSH NUT |
| 15 | 4025410-006 | 3.5 ft | TUBING - MAYON |
| 16 | 7200341-000 | 1 | TUBE CLIP |
| 17 | 4200088 | 1 | .250 STUD DIA PUSH NUT |
| 18 | 8368656 | 1 | ROLLER |
| 19 | 8383009 | 1 | PIN |
| 20 | 7200623-000 | 1 | DRAIN PAN |
| 21 | 4203487 | 1 | LATCH NUT MOUNT |
| 22 | 4050760 | 1 | 1/2-13 SQUARE NUT W/RETAINER |
| 23 | 4203266 | 1 | NUT RETAINER |
| 24 | 7200468-001 | 8 | #10-12 X 1 PHIL TH TYPE A |
| 25 | 4202895 | 2 | LINER SUPPORT |
| 26 | 7200952-011 | 1 | INSULATION - CABINET BOTTOM |
| 27 | 4202034 | 1 | DRAIN PAN SPONGE |
| 28 | 1212246-001 | 1 | CAN RACK SUPPORT WELD - RIGHT |
| 29 | 4205186 | 2 | EVAPORATOR MOUNT BRACKET |
| 30 | 1212246 | 1 | CAN RACK SUPPORT WELD - LEFT |
| 31 | 7200468-001 | 8 | #10-12 X 1 PHIL TH TYPE A |
| 32 | 1212243 | 1 | LINER WELD |
| 33 | 7100042-000 | 1 | DRAIN TUBE |
| 34 | 7200952-010 | 1 | INSULATION - CABINET BACK |
| 35 | 4008878-001 | 2 | INSULATION - CABINET SIDE |
| 36 | 7200952-011 | 1 | INSULATION - CABINET TOP |
| 37 | 4050202 | 22 | #8-18 X 1/2 PHIL HWH TEK |
| 38 | 8620495 | 1 | WARNING LABEL - REFER (Not Shown) |

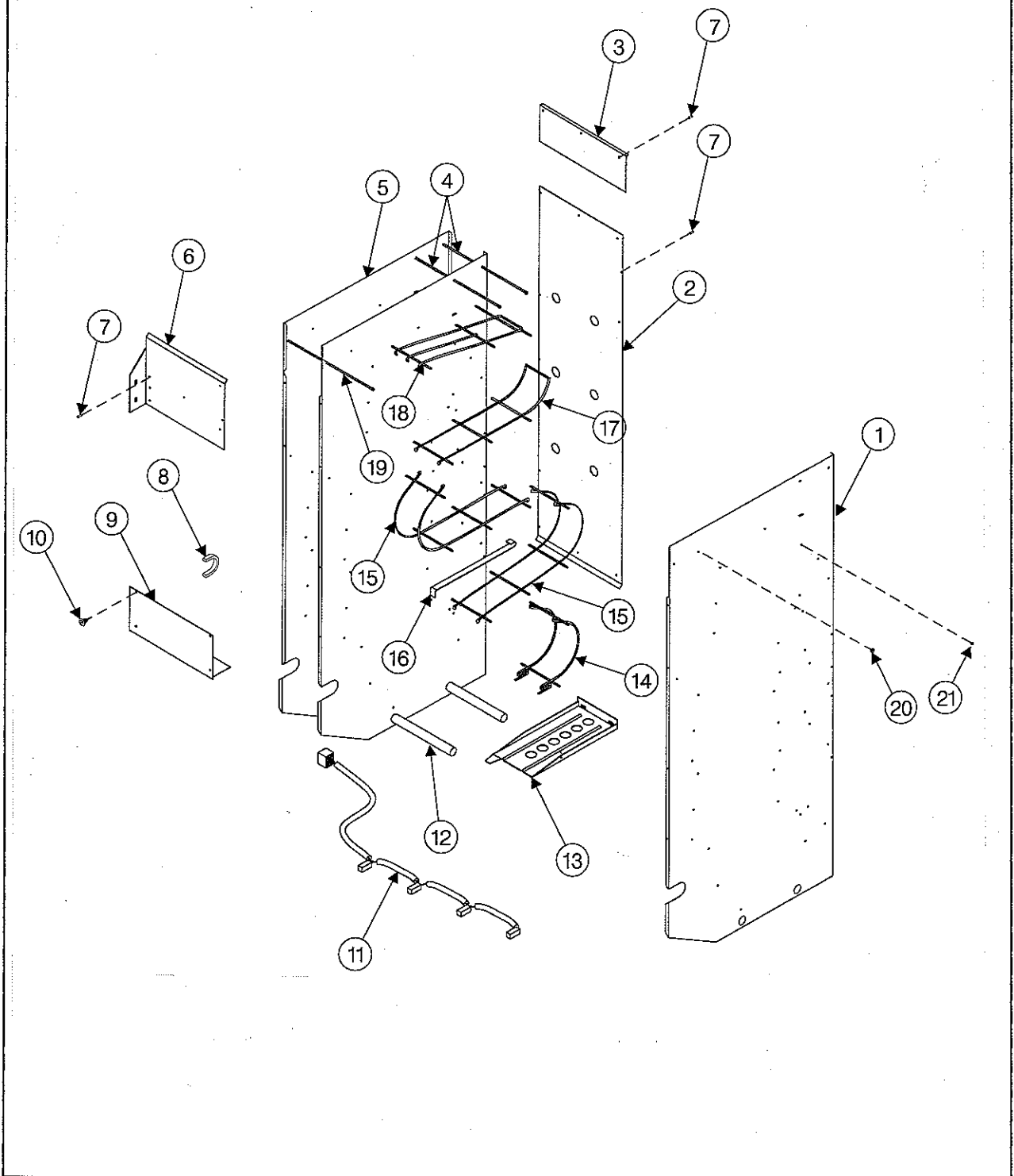
DOUBLE DEPTH CAN RACK



DOUBLE DEPTH CAN RACK

| | | | |
|----|-------------|--------|--|
| | 1212270 | 1 | COMPLETE CAN RACK ASSEMBLY |
| 1 | 4202918 | 3 | PARTITION PANEL - RIGHT |
| 2 | 4201548 | 3 | CAN DEFLECTOR - SHORT |
| 3 | 4201549 | 3 | CAN DEFLECTOR - LONG |
| 4 | 7332474-003 | 43 | .156 DIA TIE ROD |
| 5 | 4202918-001 | 1 | PARTITION PANEL - LEFT |
| 6 | 7332473-002 | 2 | .125 DIA TIE ROD |
| 7 | 4205182 | 1 | FRONT TIE PLATE |
| 8 | 4050202 | 10 | #8-18 X 1/4 PHIL HWH |
| 9 | 4205190 | 1 | LOWER FRONT TIE STRAP |
| 10 | 4050667 | 16 | POP RIVET - 1/8 X 1/4 |
| 11 | 4201555 | 1 | MOTOR COVER - TOP |
| 12 | 4205274 | 1 | CABINET HARNESS |
| 13 | 4202992 | 3 | MOTOR COVER |
| 14 | 4202255 | 8 1/2" | GASKET - 1/4 X 3/4 (WITH ADHESIVE) |
| 15 | 8800636 | 6 | #8-18 X 1/2 PHIL PH TYPE B |
| 16 | 4201535 | 3 | WIRE SHELF - BOTTOM |
| 17 | 4201558 | 3 | BOTTOM SHELF INSERT |
| 18 | 4201560 | 3 | BOTTOM SHELF |
| 19 | 4201534 | 3 | BOTTOM LOOP |
| 20 | 7331975-000 | 6 | TOP LOOP |
| 21 | 4201552 | 3 | DEFLECTOR PLATE SUPPORT |
| 22 | 4050240 | 3 | #8-32 X 3/8 PHIL PH MS |
| 23 | 4050511 | 3 | #8-32 NUT - TWO WAY LOCK |
| 24 | 4201551 | 3 | HANGER STRAP |
| 25 | 7331974-000 | 12 | CENTER LOOP |
| 26 | 7331974-002 | 3 | CENTER LOOP |
| 27 | 7331999-000 | 18 | RETAINER STRAP |
| 28 | 7331977-000 | 6 | UPPER SHELF |
| 29 | 7332477-000 | 2 | .125 DIA STUD PUSH NUT |
| 30 | 7332476-000 | 43 | .156 DIA STUD PUSH NUT |
| 31 | 4205261 | 1 | BACK AIR BAFFLE |
| 32 | 8620197-003 | 2 | TUBE - RACK SUPPORT |
| | 1211443 | 3 | UPPER EJECTOR MECH ASSY (Not Shown - See page #19) |
| | 1211444 | 3 | LOWER EJECTOR MECH ASSY (Not Shown - See page #19) |
| | 8620438 | 1 | DOUBLE DIGIT #'S (1-12) - Not Shown |

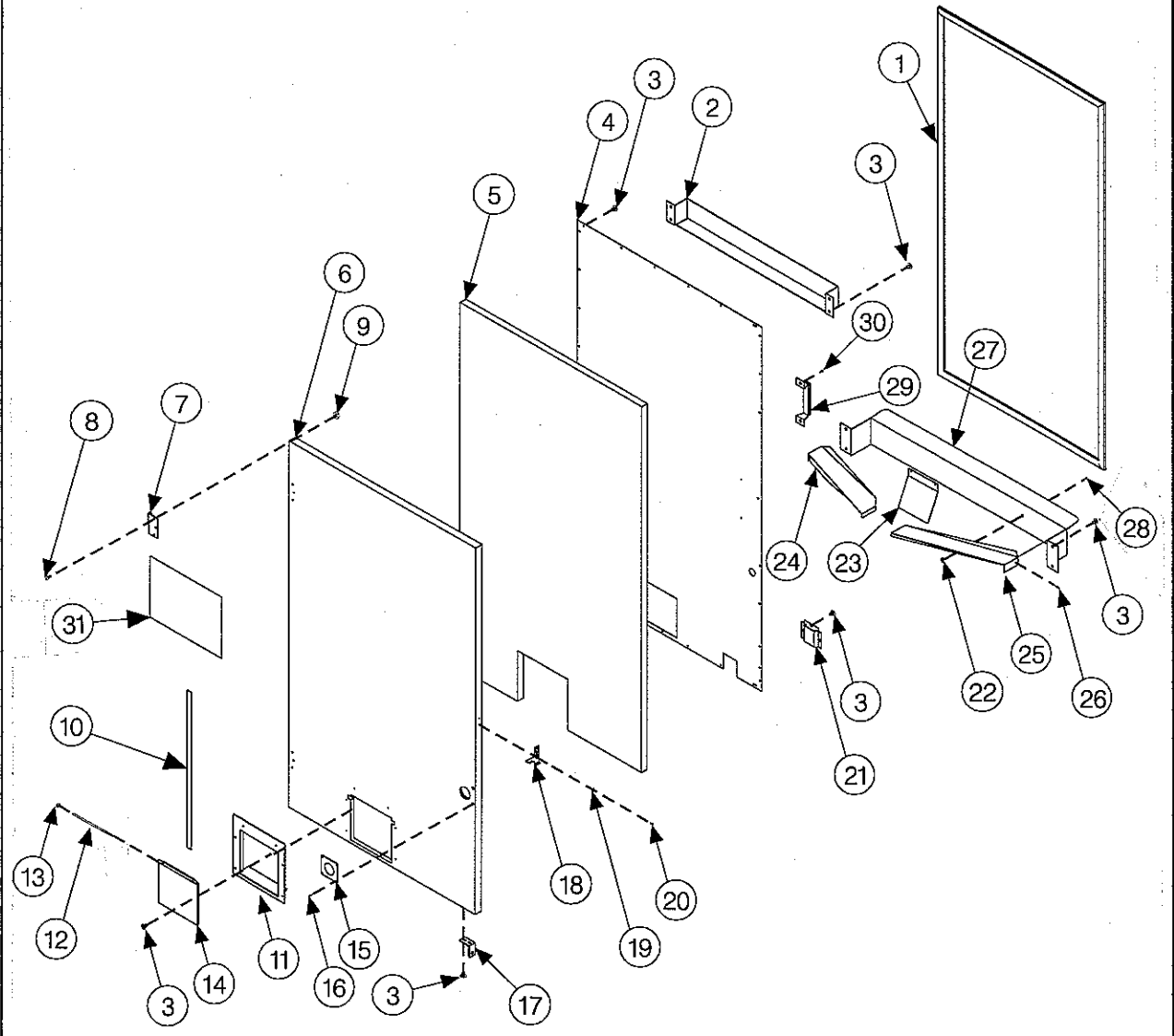
SINGLE SERPENTINE CAN RACK ASSEMBLY



SINGLE SERPENTINE CAN RACK ASSEMBLY

| | | | |
|-----------|--------------------|-----------|-----------------------------------|
| | 1212266 | 1 | COMPLETE CAN RACK ASSEMBLY |
| 1 | 8620763-000 | 2 | END PANEL - RIGHT |
| 2 | 4205179 | 1 | BACK CAN RACK |
| 3 | 4205180 | 1 | TOP TIE STRIP - CAN GUIDE |
| 4 | 7332474-007 | 28 | .156 DIA TIE ROD |
| 5 | 8620763-001 | 1 | END PANEL - LEFT |
| 6 | 4205181 | 1 | FRONT TIE STRAP |
| 7 | 4050667 | 17 | POP RIVET - 1/8 X 1/4 |
| 8 | 4033652-001 | 2 | EXTRUDED GROMMET |
| 9 | 4205183 | 1 | MOTOR COVER |
| 10 | 4050202 | 4 | #8-18 X 1/2 PHIL HWH TEK |
| 11 | 4205274 | 1 | CABINET HARNESS |
| 12 | 8620197-003 | 2 | TUBE RACK SUPPORT |
| 13 | 8620730 | 2 | BOTTOM SHELF |
| 14 | 7331976-000 | 2 | BOTTOM LOOP |
| 15 | 7331974-000 | 14 | CENTER LOOP |
| 16 | 7331999-000 | 14 | RETAINER STRIP |
| 17 | 7331975-000 | 2 | TOP LOOP |
| 18 | 7331977-000 | 2 | UPPER SHELF |
| 19 | 7332473-006 | 2 | .125 DIA TIE ROD |
| 20 | 7332477-000 | 2 | .125 DIA PUSH NUT |
| 21 | 7332476-000 | 28 | .156 DIA PUSH NUT |
| 22 | 1211443 | 2 | UPPER EJECTOR MECH ASSY |

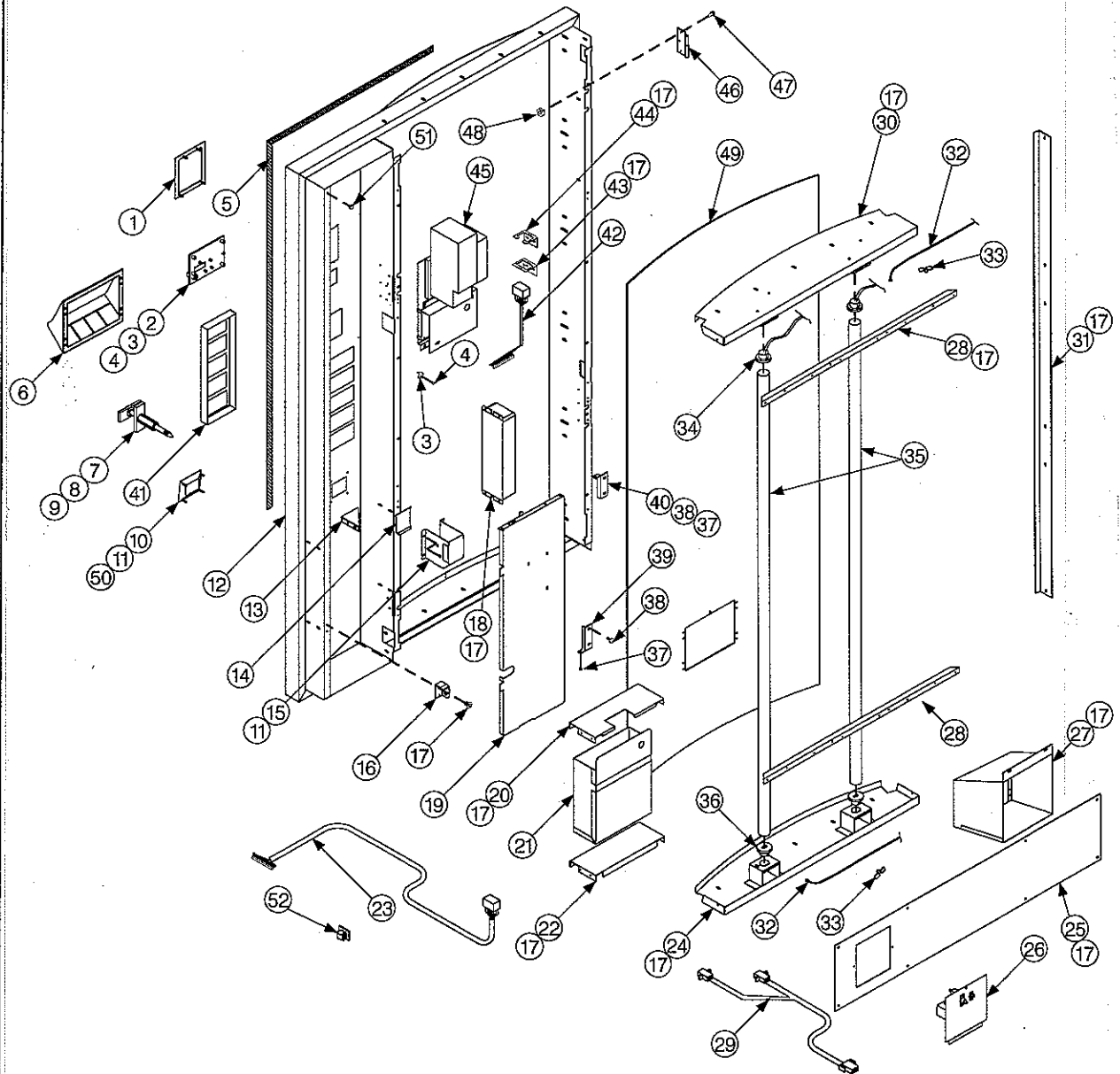
INNER DOOR ASSEMBLY



INNER DOOR ASSEMBLY

| ITEM | PART NUMBER | QTY | DESCRIPTION |
|------|-------------|-------|--------------------------------|
| | 1212261 | 1 | INNER DOOR ASSEMBLY |
| 1 | 8620054-001 | 1 | DOOR GASKET |
| 2 | 4205262 | 2 | STORAGE SHELF |
| 3 | 4050202 | 53 | #8-18 X 1/2 PHIL HWH TEK SCREW |
| 4 | 4205220 | 1 | INNER DOOR LINER |
| 5 | 4202868-001 | 1 | DOOR INSULATION |
| 6 | 1212264 | 1 | INNER DOOR WELD |
| 7 | 8620140 | 2 | DOOR HINGE |
| 8 | 8800406 | 6 | #10-32 X 1/2 PHIL TH W/ETW |
| 9 | 8800899 | 6 | #10-32 HEX NUT |
| 10 | 4202255 | 2 FT. | GASKET - 3/4" W/ADHSV |
| 11 | 4202758 | 1 | DELIVERY CHUTE |
| 12 | 7200650-001 | 1 | HINGE PIN |
| 13 | 7091078-000 | 2 | TUBULAR SPEED NUT |
| 14 | 7334428-001 | 1 | VEND PORT DOOR |
| 15 | 4202760 | 1 | LOCK FUNNEL |
| 16 | 4050667 | 4 | 1/8 X 1/4 POP RIVET |
| 17 | 4205021 | 1 | INNER DOOR LOCK BRACKET |
| 18 | 4202961 | 1 | INNER DOOR LATCH |
| 19 | 4030100 | 2 | BUSHING SPACER |
| 20 | 4050180 | 2 | #8-18 X 1/2 PHIL PH TEK |
| 21 | 4202882 | 1 | LINE CHANNEL |
| | 1212265 | 1 | CAN SLIDE ASSY |
| 22 | 4050511 | 2 | #8-32 NUT - TWO WAY LOCK |
| 23 | 4202857 | 1 | DELIVERY CHUTE |
| 24 | 4205225 | 1 | CAN SLIDE - SHORT |
| 25 | 4205226 | 1 | CAN SLIDE - LONG |
| 26 | 4050667 | 6 | 1/8 X 1/4 POP RIVET |
| 27 | 4205227 | 1 | DELIVERY SUPPORT |
| 28 | 4050240 | 2 | #8-32 X 3/8 PHIL PH MS |
| 29 | 8379196 | 1 | DOOR HANDLE |
| 30 | 8800829 | 2 | #10-24 X 3/8 PHIL TH W/ETW |
| 31 | 4203748 | 1 | OPERATING INSTRUCTION LABEL |

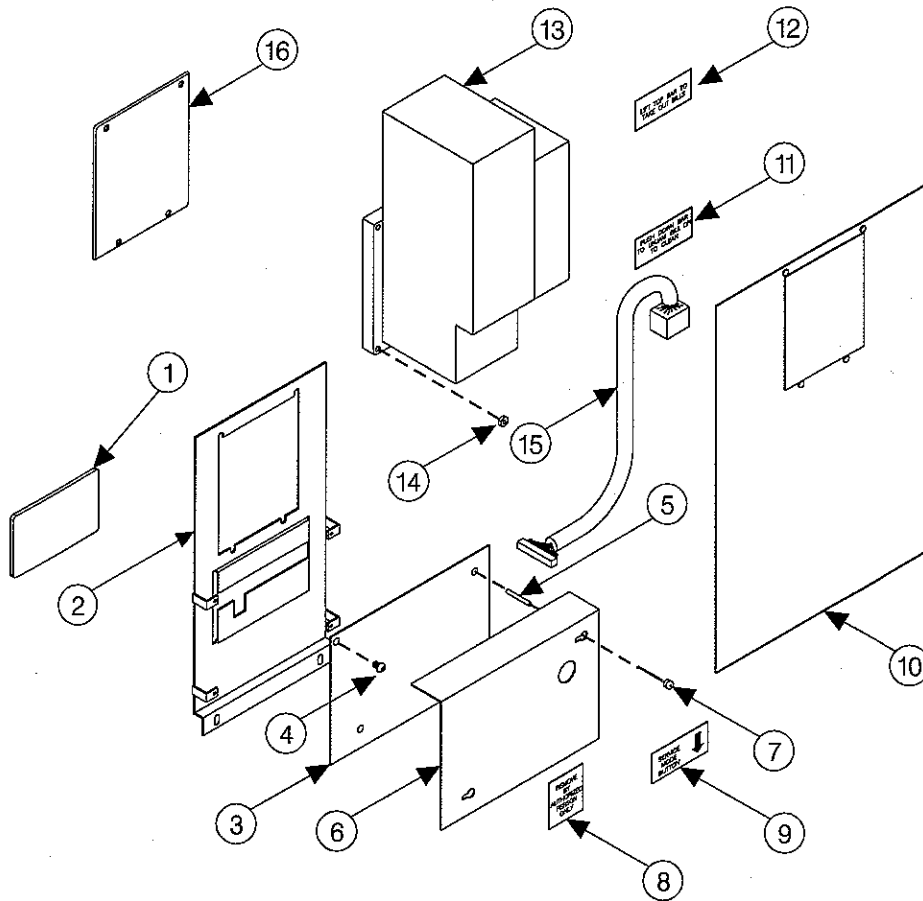
COMPLETE DOOR ASSEMBLY - BUBBLE FRONT



COMPLETE DOOR ASSEMBLY - BUBBLE FRONT

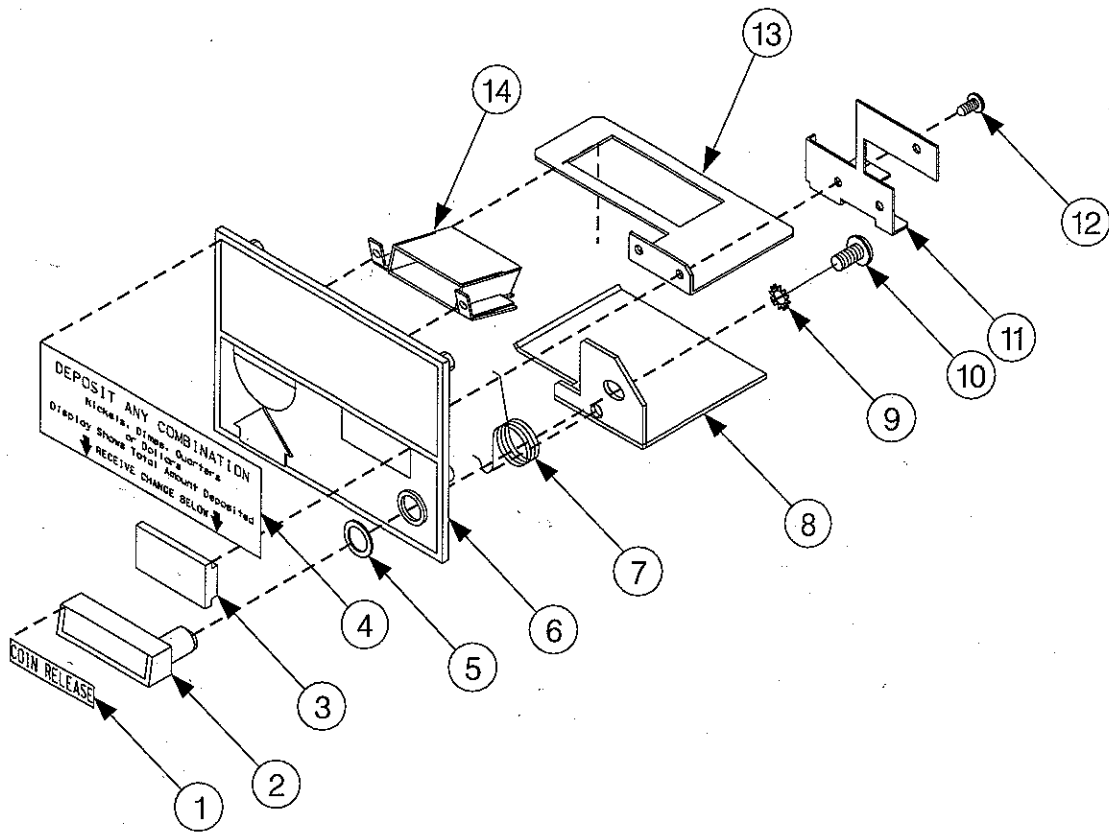
| ITEM | PART NUMBER | QTY | DESCRIPTION |
|------|-------------|---------|---|
| 1 | 1210256-000 | 1 | VALIDATOR PLATE WELD |
| 2 | 1211406-XXX | 1 | COIN INSERT CASTING ASSEMBLY - See Page #15 |
| 3 | 4009751 | 2 | COIN INSERT RETAINER BRACKET |
| 4 | 4050212 | 4 | #8-32 X 1/4 PHIL PH TYPE "T" |
| 5 | 4202255 | 14.5 Ft | GASKET - 1/4 X 3/4 W/ADHV |
| 6 | 4202207-001 | 1 | DELIVERY TRIM |
| 7 | 4202927-XXX | 1 | "T" HANDLE LATCH (Specify Color when ordering) |
| 8 | 8810022 | 2 | #10-32 X 3/8 CARRIAGE BOLT |
| 9 | 8800952 | 2 | #10-32 HEX NUT W/ETW |
| 10 | 7334281-XXX | 1 | CHANGE BEZEL (Specify Color when ordering) |
| 11 | 7334982-000 | 4 | .156 STUD SELF THREAD NUT |
| 12 | 1212268-XXX | 1 | DOOR WELD (Specify Color when ordering) |
| 13 | 4203473 | 1 | "T" HANDLE BRACKET |
| 14 | 4202068 | 1 | COIN CUP DOOR |
| 15 | 4202083-002 | 1 | COIN CUP |
| 16 | 4202908 | 1 | INNER DOOR LIFT |
| 17 | 4050202 | 37 | #8-18 X 1/2 PHIL HWH TEK |
| 18 | 4202774 | 1 | BALLAST |
| 19 | 1211400-XXX | 1 | MECH DOOR ASSEMBLY - See Page #17 |
| 20 | 4202893 | 1 | COIN BOX BRACKET - TOP |
| 21 | 1212009 | 1 | COIN BOX WELD - TALL |
| 22 | 4205126 | 1 | COIN BOX BRACKET - BOTTOM |
| 23 | 4205276 | 1 | DOOR HARNESS |
| 24 | 1212248-001 | 1 | INNER DISPLAY WELD - BOTTOM |
| 25 | 4205221 | 1 | LIGHT COVER - BOTTOM |
| 26 | 1211407 | 1 | TRANSFORMER PLATE ASSEMBLY - See page #18 |
| 27 | 1212269 | 1 | CAN CHUTE WELD |
| 28 | 4205219 | 2 | TIE BRACKET |
| 29 | 4203708 | 1 | DOOR - POWER HARNESS |
| 30 | 1212248 | 1 | INNER DISPLAY WELD - TOP |
| 31 | 4205215 | 2 | PLASTIC HOLDER |
| 32 | 4202771 | 1 | LAMP HARNESS |
| 33 | 4060130 | 8 | PRESS CLIP - 1/4" |
| 34 | 4202881-001 | 2 | LAMP HOLDER TOP |
| 35 | 4205289 | 2 | LAMP - F60 T12/CW |
| 36 | 4202881-002 | 2 | LAMP HOLDER - BOTTOM |
| 37 | 8800636 | 2 | #8-18 X 1/2 PHIL PH TYPE B |
| 38 | 8800829 | 4 | #10-24 X 3/8 PHIL TH W/ETW |
| 39 | 4203476 | 1 | MECH DOOR BRACKET - BOTTOM |
| 40 | 4203476-001 | 1 | MECH DOOR BRACKET - TOP |
| 41 | | 1 | SELECTION SWITCH ASSEMBLY - See Page #16 |
| 42 | 4202942 | 1 | COIN MECH HARNESS |
| 43 | 4202872 | 1 | PLUG BRACKET |
| 44 | 4202872-001 | 1 | PLUG BRACKET W/NOTCH |
| 45 | | 1 | VALIDATOR - CONTROLLER COMPONENTS - See Page #14 |
| 46 | 8620139 | 2 | DOOR HINGE INNER |
| 47 | 8800406 | 6 | #10-32 X 1/2 PHIL TH W/ETW |
| 48 | 8800899 | 6 | #10-32 HEX NUT |
| 49 | 4205263-XXX | 1 | GRAPHICS SIGN FACE - Specify Design when ordering |
| 50 | 7334984-000 | 1 | CHANGE LABEL |
| 51 | 4202994 | 2 | BUMPER |
| 52 | 8370959-3 | 5 | LOCKING CLAMP - 3/4" |

VALIDATOR - CONTROLLER COMPONENTS



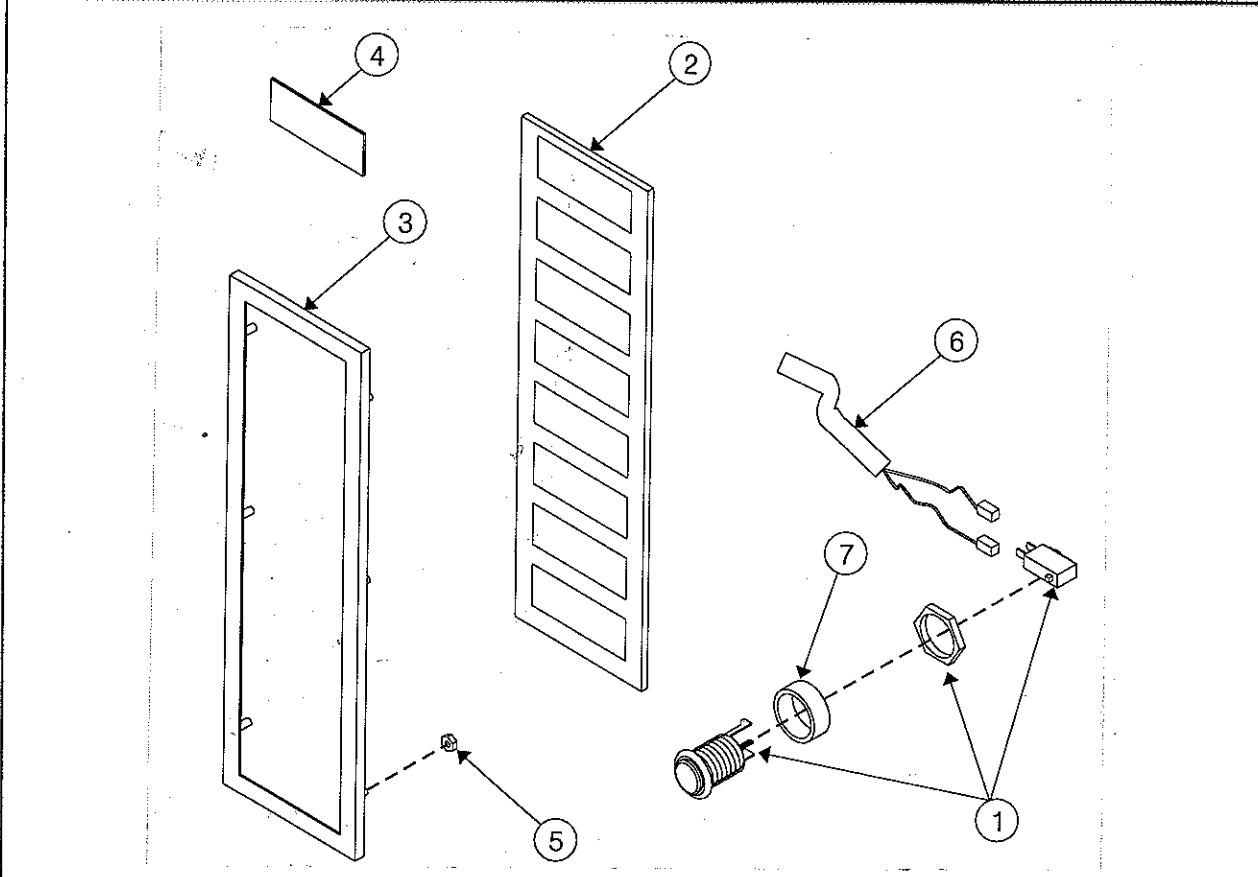
| ITEM | PART NUMBER | QTY | DESCRIPTION |
|------|-------------|-----|--|
| 1 | 4202841-001 | 1 | READOUT WINDOW |
| 2 | 4202904 | 1 | CONTROL BOARD MOUNT |
| 3 | 4203711 | 1 | CD-16 CONTROLLER |
| 4 | 8800631 | 2 | #6-20 X 1/2 PHIL PH TYPE B |
| 5 | 8620704 | 2 | STANDOFF |
| 6 | 4202973 | 1 | CONTROL BOARD COVER |
| 7 | 8810020 | 2 | #6-32 X 1 1/4 PHIL HD SCREW |
| 8 | 4202970 | 1 | COLD CONTROL LABEL |
| 9 | 4202995 | 1 | SERVICE MODE LABEL |
| 10 | 4203898 | 1 | CONTROLLER SHIELD |
| 11 | 4202972 | 1 | VALIDATOR LABEL - BOTTOM |
| 12 | 4202971 | 1 | VALIDATOR LABEL - TOP |
| 13 | 4202765-004 | 1 | VALIDATOR - MAKA - 110 VOLT |
| | 4202765-244 | 1 | VALIDATOR - MAKA - 24 VOLT |
| | 4205536-124 | | VALIDATOR - COINCO |
| 14 | 8800956 | 4 | #8-32 HEX NUT W/ETW |
| 15 | 4202938 | 1 | VALIDATOR HARNESS - MAKA - 110 VOLT |
| | 4205833 | 1 | VALIDATOR HARNESS - MAKA - 24 VOLT |
| | 4205834 | | VALIDATOR HARNESS - COINCO |
| 16 | 4201907 | 1 | VALIDATOR PLATE (Used When Validator is Removed) |

COIN INSERT CASTING ASSEMBLY



| ITEM | PART NUMBER | QTY | DESCRIPTION |
|------|-------------|-----|--|
| | 1211406-XXX | 1 | COIN INSERT CASTING ASSEMBLY (Specify colors as noted below) |
| 1 | 7334370-000 | 1 | COIN RELEASE DECAL |
| 2 | 7334283-XXX | 1 | COIN RELEASE HANDLE (Specify Color when ordering) |
| 3 | 4025725 | 1 | FILLER PLUG |
| 4 | 4020837-001 | 1 | COIN & DOLLAR INSERT LABEL |
| 5 | 7100816-000 | 1 | 3/8 FLAT NYLON WASHER |
| 6 | 4060372-XXX | 1 | COIN INSERT CASTING (Specify Color when ordering) |
| 7 | 7091076-100 | 1 | TORSION SPRING - 11/32 |
| 8 | 4202892 | 1 | COIN RELEASE LEVER |
| 9 | 7200717-008 | 1 | #12 INT/EXT LOCK WASHER |
| 10 | 7200469-020 | 1 | #1/4-28 X 1/2 PHIL TH MS |
| 11 | 4202056 | 1 | COIN CHUTE RETAINER |
| 12 | 7200468-005 | 5 | #6-18 X 1/4 PHIL TYPE A |
| 13 | 4202953 | 1 | COIN CHUTE RETURN |
| 14 | 1211368 | 1 | COIN CHUTE WELD |

PUSH BUTTON & SELECTION ASSEMBLY

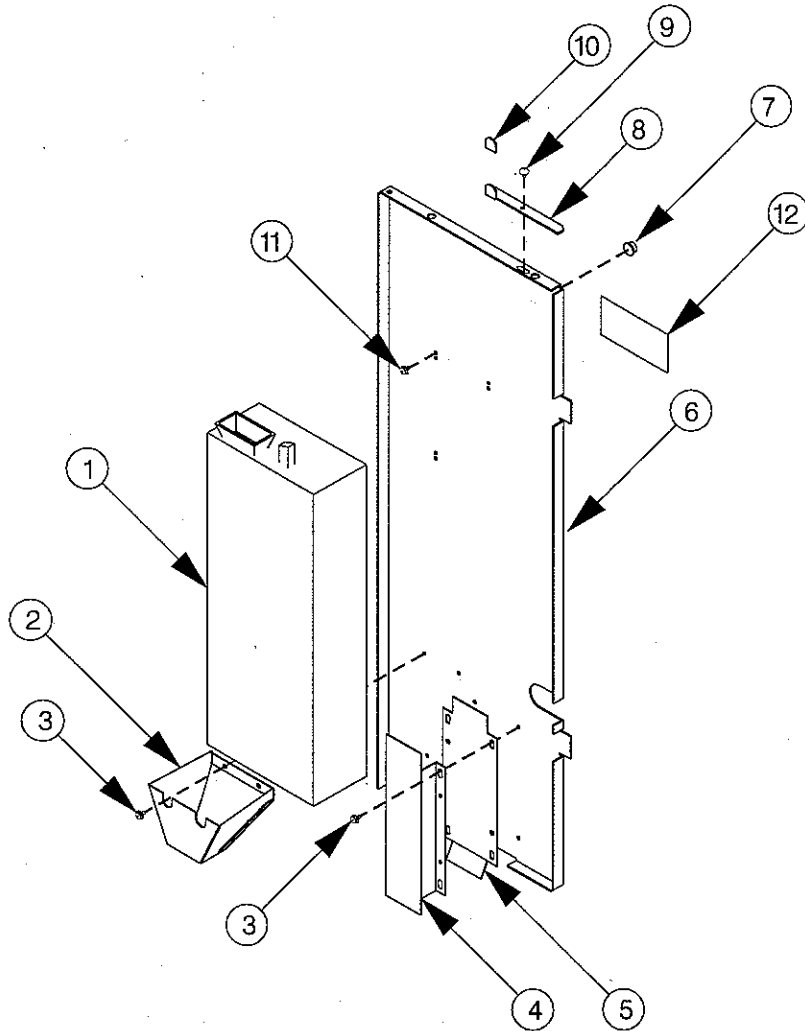


| ITEM | PART NUMBER | QTY | DESCRIPTION |
|------|-------------|-----|---|
| 1 | 4203703-000 | 8 | SELECTION SWITCH |
| 2 | 4205264 | 1 | FLAVOR TAB COVER |
| 3 | 4205252-XXX | 1 | SELECTION BEZEL (Specify Color when Ordering) |
| 4 | 4203326-XXX | A/R | FLAVOR TAB (See Note Below) |
| 5 | 8800952 | 6 | #10-32 HEX NUT W/ETW |
| 6 | 4205275 | 1 | SELECTION HARNESS |
| 7 | 4205272 | 8 | SPACER |

NOTE:

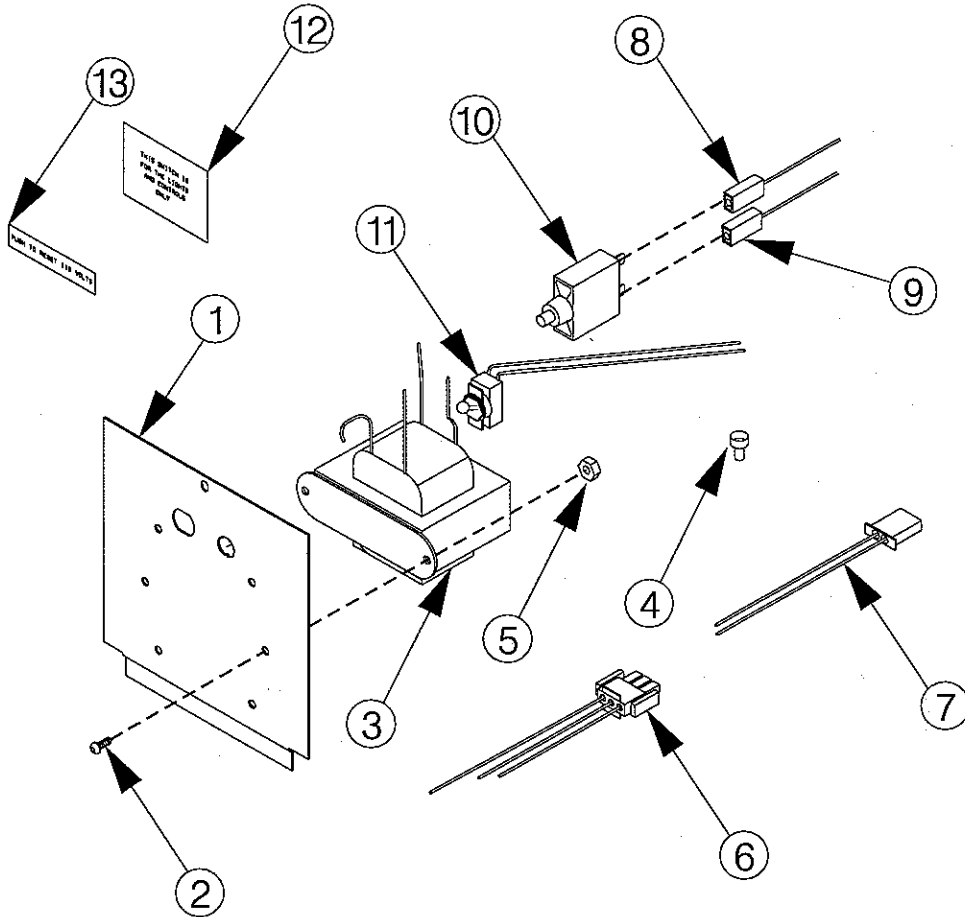
Contact Selectivend for Flavor Tabs Available.

MECH DOOR ASSEMBLY



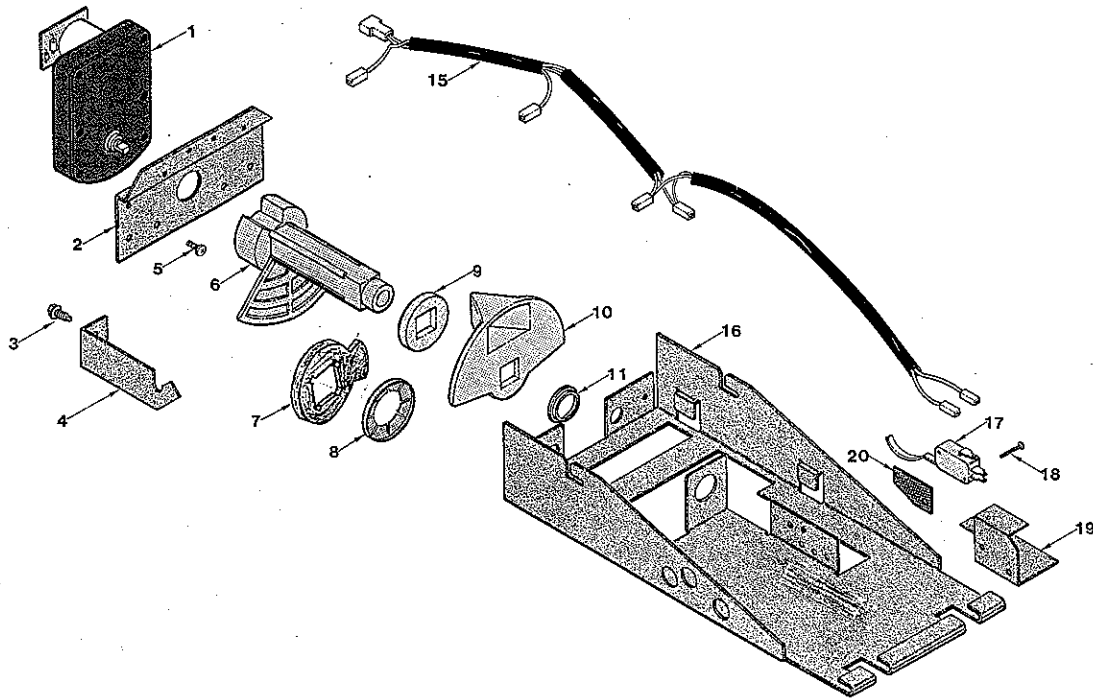
| ITEM | PART NUMBER | QTY | DESCRIPTION |
|------|-------------|-----|--|
| | 1211400-XXX | 1 | MECH DOOR ASSEMBLY (Specify Color when ordering) |
| 1 | 4200419 | 1 | COIN CHANGER - COINCO 9302-L |
| | 4200732 | 1 | COIN CHANGER - MARS TRC6010 |
| 2 | 1211374 | 1 | COIN RETURN CHUTE WELD |
| 3 | 4050420 | 6 | #8-18 X 1/4 PHIL HWH SCREW |
| 4 | 4202888 | 1 | COIN BOX TUBE |
| 5 | 4202901 | 1 | COIN KICKER |
| 6 | 4202898-XXX | 1 | MECH DOOR (Specify Color) |
| 7 | 4202994 | 2 | BUMPER |
| 8 | 4202897 | 1 | MECH DOOR LATCH |
| 9 | 8800636 | 1 | #8-18 X 1/2 PHIL PH TYPE B |
| 10 | 8620828 | 1 | 4 PIN COVER |
| 11 | 8800498 | 3 | #8-18 X 3/8 PHIL PH TYPE B |
| 12 | 8620711 | 1 | POWER SWITCH WARNING LABEL |

TRANSFORMER/PLATE ASSEMBLY



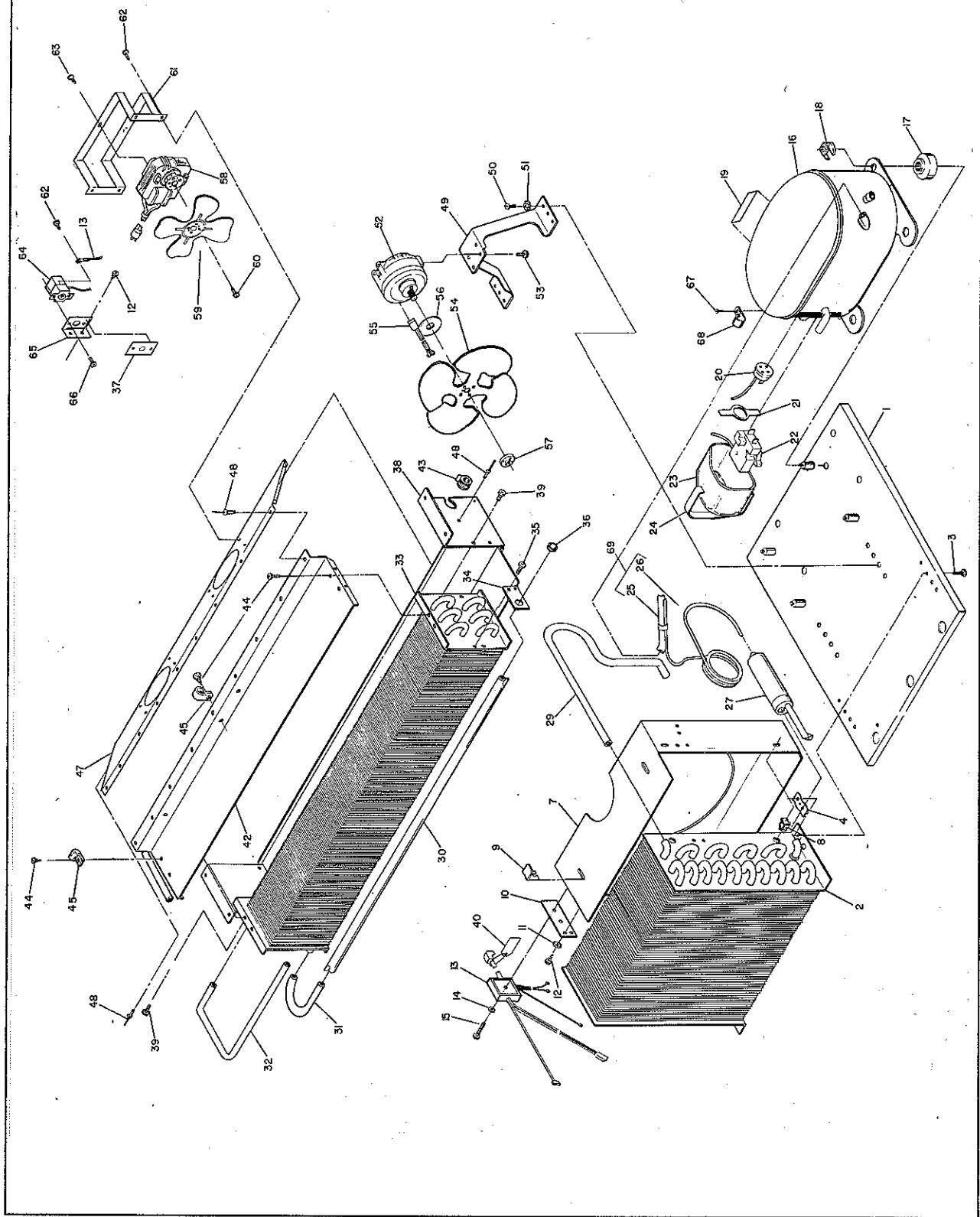
| ITEM | PART NUMBER | QTY | DESCRIPTION |
|------|-------------|-----|----------------------------|
| | 1211407 | 1 | TRANSFORMER PLATE ASSY |
| 1 | 4202958 | 1 | TRANSFORMER PLATE |
| 2 | 4050240 | 2 | #8-32 X 3/8 PHIL PH MS |
| 3 | 1210952 | 1 | TRANSFORMER |
| 4 | 4033505 | 6 | CLOSED END SPLICE CAP |
| 5 | 8800956 | 2 | #8-32 HEX NUT W/ETW |
| 6 | 4202939 | 1 | POWER DISTRIBUTION HARNESS |
| 7 | 4033975 | 1 | TRANSFORMER HARNESS - 24 V |
| 8 | 4202940 | 1 | 3 AMP CB LINE (ORANGE) |
| 9 | 4202941 | 1 | 3 AMP CB LINE (BLUE) |
| 10 | 4202092-002 | 1 | CIRCUIT BREAKER - 3 AMP |
| 11 | 4033511 | 1 | TOGGLE SWITCH |
| 12 | 4203747 | 1 | DECAL - TOGGLE SWITCH |
| 13 | 4020568 | 1 | PUSH TO RESET 115V LABEL |

COMPLETE EJECTOR MECH ASSEMBLY UPPER & LOWER



| ITEM | PART NUMBER | QTY | DESCRIPTION |
|------|-------------|-----|---|
| | 1211443 | 5 | UPPER EJECTOR MECH ASSY |
| | 1211444 | 3 | LOWER EJECTOR MECH ASSY |
| 1 | 4202826 | 1 | MOTOR - EJECTOR MECH |
| 2 | 4201328 | 1 | MOTOR MOUNT PLATE |
| 3 | 4050202 | 3 | #8-18 X 1/2 PHIL HWH TEK |
| 4 | 4201326 | 1 | RETAINING BRACKET |
| 5 | 8800636 | 2 | #8-18 X 1/2 PHIL PH TYPE B |
| 6 | 4201162 | 1 | CAM - LARGE |
| 7 | 4201542 | 1 | AUXILIARY EJECTOR (LOWER EJECTOR MECH ONLY) |
| 8 | 4201628 | 1 | CAM SHAFT RETAINER (LOWER EJECTOR MECH ONLY) |
| 9 | 4201160 | 1 | SPACER |
| 10 | 4201161 | 1 | CAM - SMALL |
| 11 | 8620714 | 1 | BUSHING - SNAP-IN |
| 15 | 4202946 | 1 | EJECTOR MECH HARNESS |
| 16 | 4201327 | 1 | MECH PLATE |
| 17 | 8620718 | 1 | SOLD OUT SWITCH |
| 18 | 8801332 | 2 | #4-40 X 3/4 PHIL PH TAPTITE |
| 19 | 4201561 | 1 | SWITCH COVER |
| 20 | 4003735 | 1 | SWITCH INSULATOR |
| 21 | 4202992 | 1 | MOTOR COVER - BOTTOM - LOWER MECH ONLY(NOT SHOWN) |

REFRIGERATION CHASSIS ASSEMBLY



REFRIGERATION CHASSIS ASSEMBLY

| ITEM | PART NO. | QTY | DESCRIPTION | ITEM | PART NO. | QTY | DESCRIPTION |
|------|-------------|-----|--------------------------------|---|-------------|-----|----------------------------------|
| | | | REFRIGERATION ASSEMBLY | 40 | 7186633-000 | 1 | TAG - INSTRUCTION |
| | 1212325 | 1 | REFER SYSTEM - 1/3 HP - R-134a | 42 | 7332357-000 | 1 | TOP BAFFLE EVAPORATOR |
| 1 | 8343839 | 1 | BASE PLATE | 43 | 4033683 | 1 | BUSHING - STRAIN RELIEF |
| 2 | 7332338-000 | 1 | CONDENSER COIL -1/3 HP | 44 | 7200468-006 | 1 | #6 X 3/8 PHIL ROUND HD SMS |
| 3 | 7332393-000 | 4 | #1/4-20 X 3/8 SLTD HH MS | 45 | 7090002-704 | 2 | CLAMP, CABLE |
| 4 | 8916923 | 2 | 1/4-20 TWIN SPRING NUT | 47 | 7332351-000 | 1 | EVAPORATOR FAN SHROUD |
| 7 | 7332405-000 | 1 | SHROUD - CONDENSER FAN | 48 | 4050663 | 17 | POP RIVET |
| 8 | 4205214 | 4 | CHRISTMAS TREE CLIP | 49 | 8358154-001 | 1 | BRACKET - CONDENSER FAN MTG |
| 9 | 8336640 | 2 | RETAINING CLIP | 50 | 7332235-000 | 4 | 1/4-20 X 7/16 PHIL TH TAPTITE |
| 10 | 7332413-000 | 1 | HARNES MOUNTING BRACKET | 51 | 4050593 | 4 | 1/4 EXT SHAKEPROOF LW |
| 11 | 4050585 | 1 | #8 EXT SHAKEPROOF LW | 52 | 7332418-000 | 1 | CONDENSER FAN MOTOR 5 WATT |
| 12 | 7331309-000 | 1 | #8 X 1/2 PHIL. TH TYPE "A" SMS | 53 | 7186154-000 | 4 | #8-36 X 3/8 PHIL PAN HD MS |
| 13 | 7332502-000 | 1 | SERVICE HARNES | 54 | 7332420-000 | 1 | FAN BLADE |
| 14 | 4050585 | 1 | #8 EXT SHAKEPROOF LW | 55 | 7332430-000 | 1 | EXTENSION CORD |
| 15 | 7332392-000 | 1 | #8 x 1 1/2 PHIL PAN HD SMS | 56 | 7187394-000 | 1 | CONDENSER FAN SILENCER |
| 16 | 4203790 | 1 | COMPRESSOR - 1/3 HP - R-134 | 57 | 7186097-000 | 1 | 1/4-20 SPRING NUT |
| 17 | 8323090-1 | 4 | COMPRESSOR GROMMET | NOTE: FOR ITEMS 58, 59 & 60 CHECK MANUFACTURER OF MOTOR BEFORE ORDERING | | | |
| 18 | 8343874 | 4 | CLIP - COMPRESSOR MOUNTING | HOWARD MOTOR | | | |
| 19 | 7332492-000 | 1 | WARNING DECAL | 58 | 7331297-000 | 1 | FAN MOTOR 4 1/2 WATT |
| 20 | 8045052-27 | 1 | OVERLOAD | 59 | 7186825-000 | 1 | FAN BLADE |
| 21 | 8344305 | 1 | SPRING - OVERLOAD | 60 | 7186811-000 | 2 | #3-48 X 3/16 RD HD MS |
| 22 | 8333894-15 | 1 | STARTING RELAY | FASCO MOTOR | | | |
| 23 | 8344308 | 1 | COVER | 58 | 4206461 | 1 | FAN MOTOR 4 1/2 WATT |
| 24 | 8344306 | 1 | BALE STRAP | 59 | 4205768-001 | 1 | FAN BLADE |
| 25 | 8801181-004 | 1 | SUCTION LINE | 60 | 8800679 | 1 | #10-32 x 5/16 PHIL PH W/ETW |
| 26 | 8902701-2 | 1 | TUBE CAP | 61 | 7330391-000 | 1 | MOTOR MOUNT |
| 27 | 4205468 | 1 | DRIER | 62 | 4050423 | 8 | #8-18 X 3/8 PHIL PH TYPE AB |
| 29 | 7332437-000 | 1 | DISCHARGE LINE | 63 | 8800679 | 2 | #10-32 X 5/16 PHIL PH W/ETW TY D |
| 30 | 7332073-000 | 1 | ACCUMULATOR | 64 | 4034324 | 1 | THERMOSTAT |
| 31 | 7332422-000 | 1 | TUBE- ACCUM. CONNECTING | | 4201663 | 1 | TEMP CONTROL KNOB |
| 32 | 7332423-000 | 1 | TUBE - CAP. CONNECTING | | 4201664 | 1 | TEMP CONTROL COVER |
| 33 | 7332400-000 | 1 | COIL - EVAPORATOR | 65 | 7332408-000 | 1 | BRACKET - THERMOSTAT |
| 34 | 7332384-000 | 1 | BRKET - ACCUM. TUBE SUPT | 66 | 4050234 | 2 | #8-32 X 3/8 PHIL THRSS HD MS |
| 35 | 4050234 | 2 | #8-32 X 3/8 PHIL TH MS | 67 | 4050202 | 1 | #8-18 X 1/2 PHIL HWH TEK |
| 36 | 4034157 | 1 | GROMMET | 68 | 7332446-000 | 1 | CLAMP - SUCTION LINE |
| 37 | 7333084-000 | 1 | DECAL - THERMOSTAT DIAL | 69 | 1102406 | 1 | SUCTION LINE ASSY |
| 38 | 4205529 | 1 | EVAPORATOR BAFFLE | | | | |