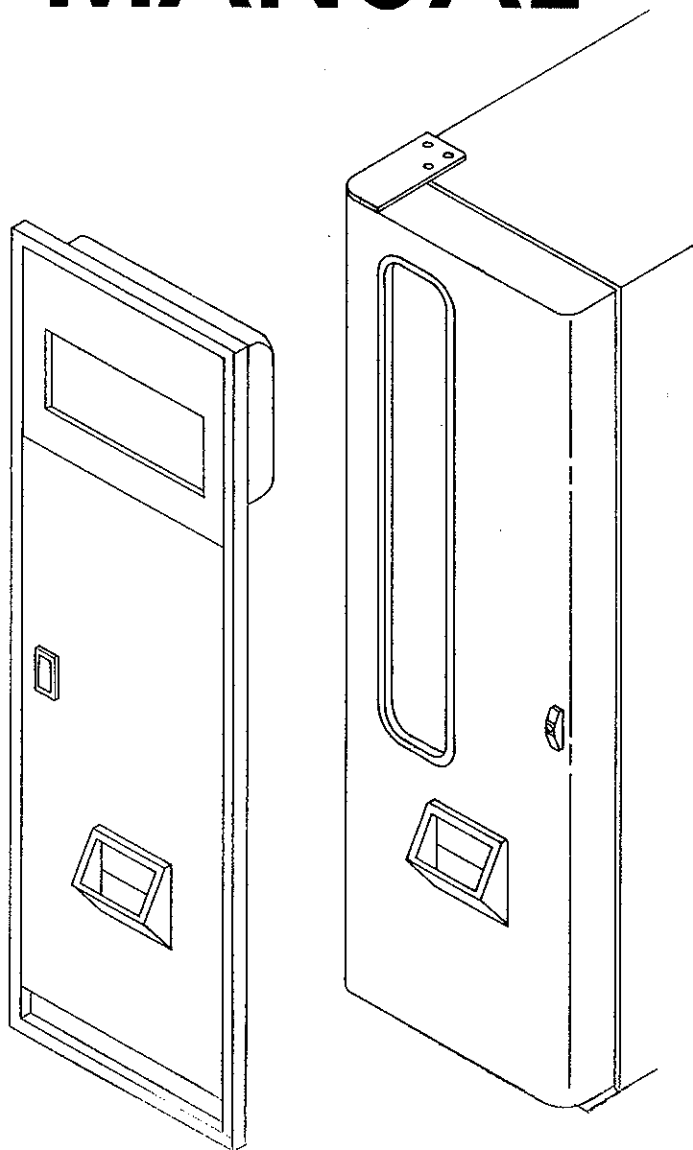


CD6
CAN DRINK VENDORS
MODELS 3031 & 3038
SQUARE FRONT & ROUND FRONT
PARTS
MANUAL



TYPE "A"

TYPE "B"

P/N 4206415

GENERAL INFORMATION

Welcome to Selectivend, Inc., we offer you three convenient ways to order replacement parts. If you have any questions when placing your order, please call and we'll be happy to assist you. Please provide the following information when placing your order:

- Quantity Required
- Part Number
- Shipping and Billing Address
- Description
- Preferred Method of Shipment
- Vendor Model Number
- Customer Account Number
- Serial Number

TO ORDER BY MAIL:

You may place your requirements for replacement parts by providing necessary information as requested above, and mailing your order to:

Selectivend, Inc.
165 North 10th Street
Waukee, Iowa 50263

If you have any questions, please call **(515) 274-3641**, ask for Selectivend Parts and we will be happy to assist you.

Order forms are available upon request from Selectivend, Inc. or you may use your own purchase order form.

TO ORDER BY FAX MACHINE: **(515) 987-4447**

You may Fax your order for replacement parts by providing the necessary information as requested above, to Selectivend, Inc. by using our fax: **(515) 987-4447**

If you have any questions, so indicate and we will respond via Fax, with your answer.

TO ORDER BY PHONE: **(515) 274-3641**

You may call in your order for replacement parts. Ask for Selectivend Parts Department. Please provide the necessary information, as requested above, to allow us to provide you with prompt courteous service.

If you have any questions, so indicate and we will be happy to assist you.

- **MINIMUM ORDER \$25.00.** You may wish to inquire on prices of parts at the time of your order. If your order is less than the minimum, please check our catalog for other parts you may require to bring your order up to the \$25.00 minimum order.
- **OPEN ACCOUNT** with approved credit.
- **MASTER CARD - VISA - C.O.D.**

If you have any questions, please call and we will be happy to assist you.

RETURNS:

RESTOCKING CHARGE 20%. A restocking charge of 20% will apply to merchandise accepted by Selectivend for return, except items processed as a warranty.

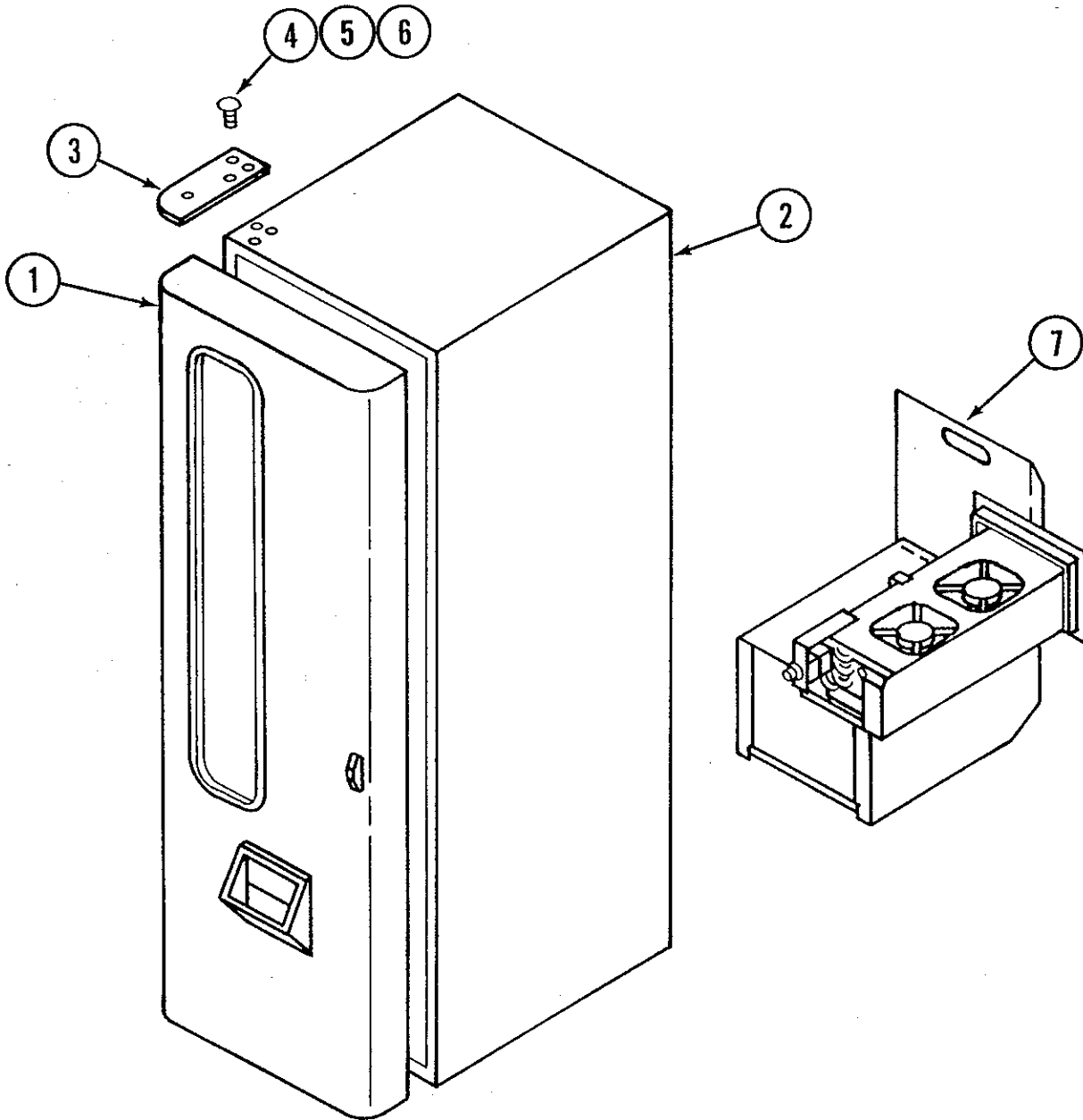
All items returned must be accompanied by a "material return tag" clearly stating the reason for return. Returns are to be shipped freight prepaid to Selectivend, Inc. 165 North 10th Street, Waukee, Iowa 50263. (Return tags are available upon request from Selectivend.)

If you have any questions regarding returns, please call Selectivend, Inc. (515) 274-3641, we will be happy to assist you.

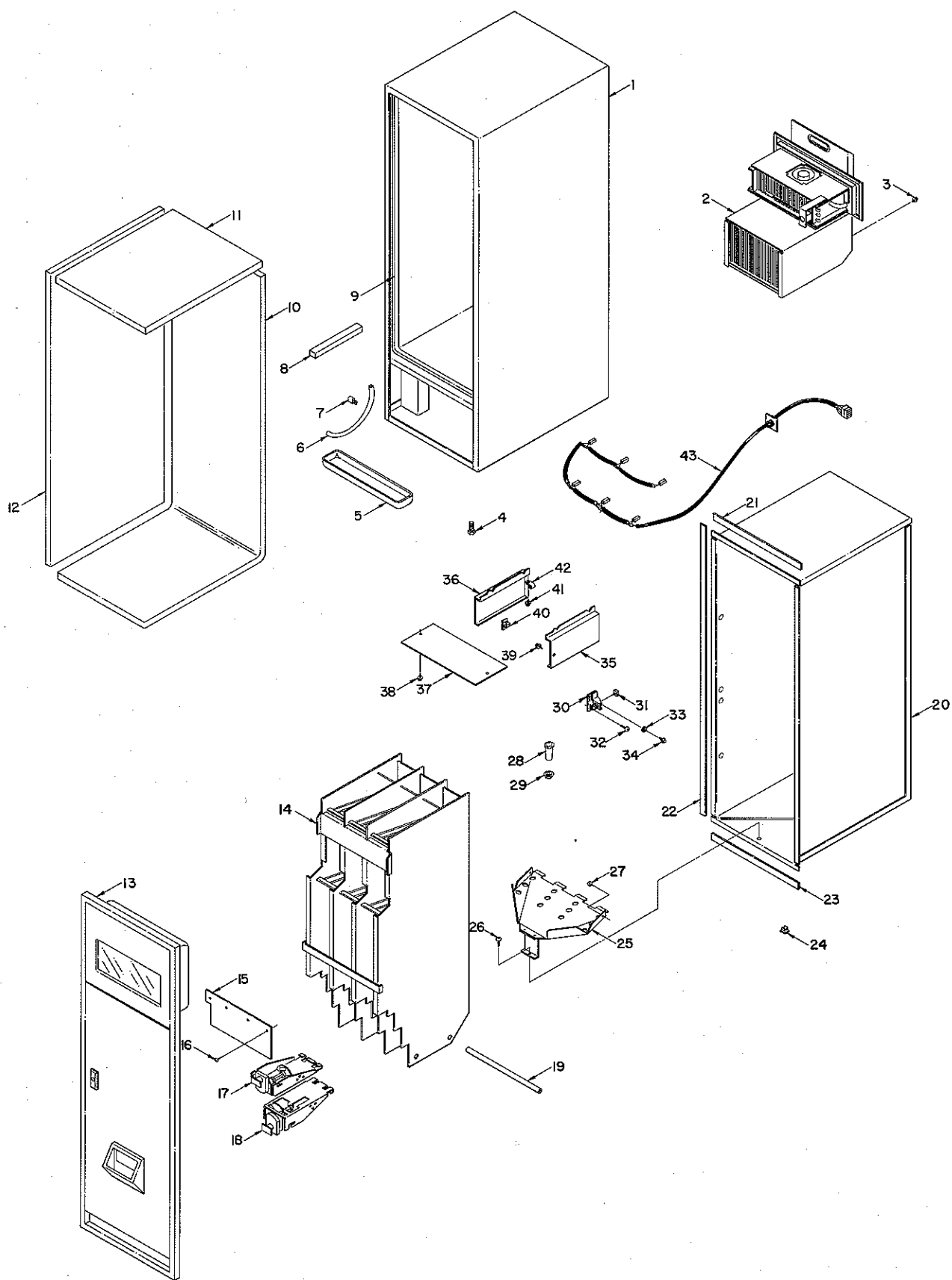
LIMITATION OF LIABILITY:

Selectivend, Inc. shall not be liable for any injury, loss or damage, whether direct, incidental or consequential arising out of the use of or the inability to use any part, parts or products sold by Selectivend, Inc. The remedies of the buyer set forth herein are exclusive, and the liability of Selectivend, Inc. with respect to any contract or sale or anything done in connection therewith, whether in contract, in tort, under any warranty, or otherwise, shall not, except as expressly provided herein, exceed the price of the part, parts or products on which such liability is based. Any statements or representations about the parts or product, other than those contained herein, do not constitute warranties and shall not be relied on by the buyer and shall have no force or effect unless contained in a written agreement signed by officers of Selectivend.

MACHINE FINAL



MACHINE FINAL

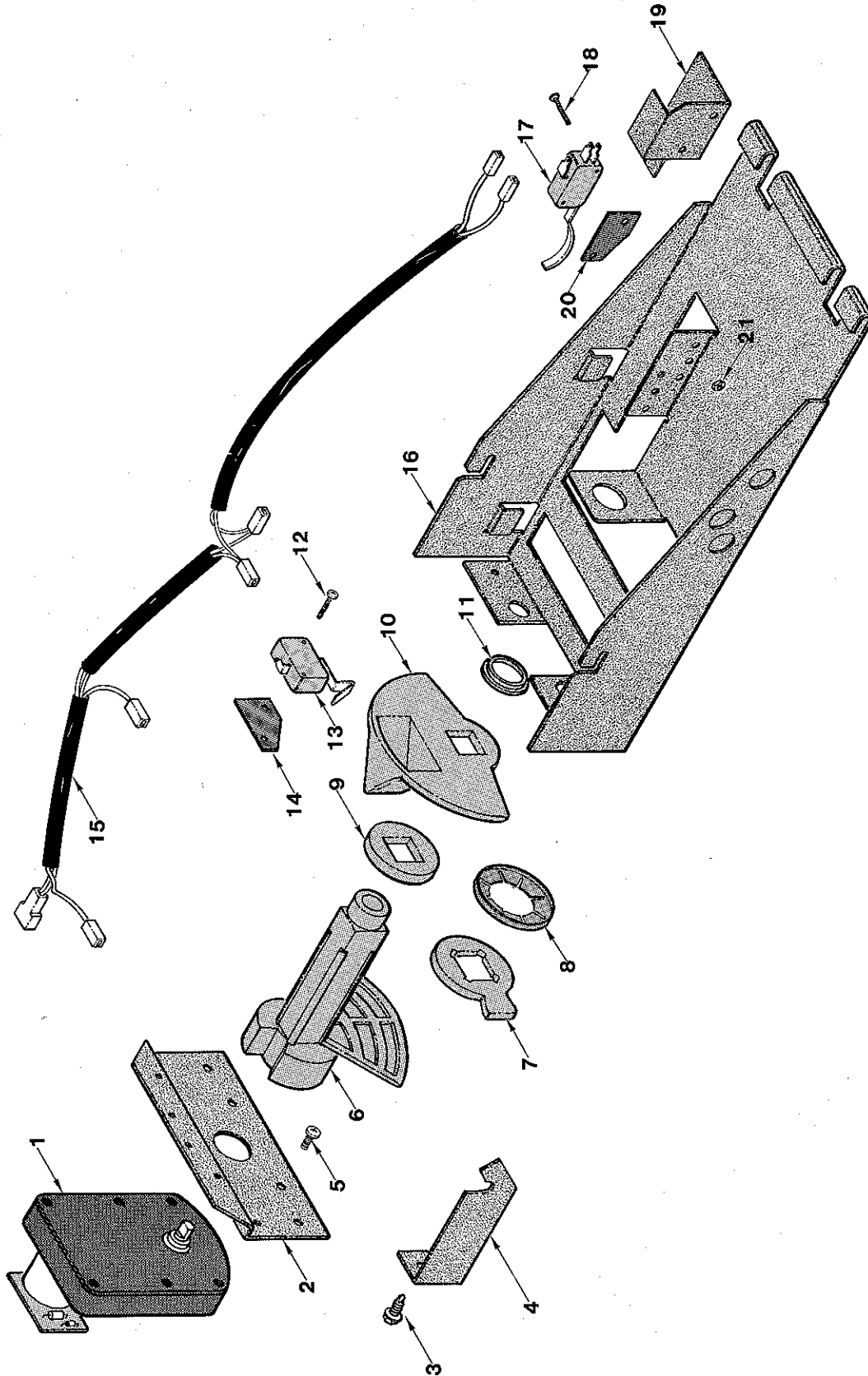


MACHINE FINAL

| ITEM | PART NUMBER | DESCRIPTION | TYPE "A" | TYPE "B" |
|------|-------------|--|----------|----------|
| | 1211208 | CABINET FINAL ASSEMBLY | X | |
| | 1212065 | CABINET FINAL ASSEMBLY | | X |
| 1 | 1211430-005 | CABINET WELD | 1 | 1 |
| 1 | 211193-001 | CABINET WELD | 1 | |
| 2 | 1212326-001 | 115 VOLT REFER ASSEMBLY (SEE PAGES 19 THRU 22) | 1 | 1 |
| 2 | 1212326-002 | 230 VOLT REFER ASSEMBLY (SEE PAGES 19 THRU 22) | 1 | 1 |
| 3 | 4050202 | #8-18 X 1/2 PHIL HWH TEK | A/R | A/R |
| 4 | 4060310 | LEG LEVELER | 4 | 4 |
| 5 | 7200623-000 | DRAIN PAN | 1 | 1 |
| 6 | 4025410-000 | TUBING-MAYON-24" | 1 | 1 |
| 7 | 7200341-000 | TUBE CLIP | 1 | 1 |
| 8 | 4201398 | WOOD-LINER SUPPORT | 1 | 2 |
| 9 | 7960247-000 | "A" FRAME GASKETT | 1 | |
| 10 | 4202286 | BACK & BOTTOM INSULATION | 1 | 1 |
| 11 | 4202287 | TOP INSULATION | 1 | 1 |
| 12 | 4202285 | SIDE INSULATION | 2 | 2 |
| 13 | 1212018 | COMPLETE DOOR ASSY (SEE P.#9) | | 1 |
| 13 | 1211205 | COMPLETE DOOR ASSY (SEE P.#13) | 1 | |
| 14 | 1211194 | RACK RIVET ASSEMBLY | 1 | 1 |
| 15 | 1211196 | MOTOR COVER LABEL ASSEMBLY | 1 | 1 |
| 16 | 8800636 | #8-18 X 1/2 PHIL PH SCREW | 4 | 4 |
| 17 | 1211443 | UPPER EJECTOR MECH (SEE P.#7) | 3 | 3 |
| 17 | 1210902 | UPPER EJECTOR MECH (SEE P.#7) | 3 | 3 |
| 18 | 1210901 | LOWER EJECTOR MECH (SEE P.#7) | 3 | 3 |
| 18 | 1211444 | LOWER EJECTOR MECH (SEE P.#7) | 3 | 3 |
| 19 | 8620197-002 | TUBE-RACK SUPPORT | 2 | 2 |
| 20 | 1211179 | LINER WELD ASSY | 1 | 1 |
| 21 | 4202278-002 | 1.56 W X 20.75 FOAM TAPE | 1 | 1 |
| 22 | 4202278-001 | 1.56 W X 54.31 FOAM TAPE | 1 | 1 |
| 23 | 4202279-001 | 1.25 W X 20.75 FOAM TAPE | 1 | 1 |
| 24 | 4202189 | SNAP IN PLASTIC SPRING | 10 | 10 |
| 25 | 1211213-001 | CAN CHUTE ASSY 1 | 1 | |
| 26 | 7200468-001 | #10-12 X 1 PHIL TH SCREW | A/R | A/R |
| 27 | 8800636 | #8-18 X 1/2 PHIL PH SCREW | 2 | 2 |
| 28 | 7100042-000 | DRAIN TUBE 1 | 1 | |
| 29 | 4202284 | .500 STUD DIA. PUSH NUT | 1 | 1 |
| 30 | 1210789-001 | LOCK NUT BRACKET WELD | 1 | 1 |
| 31 | 4050760 | 1/2-13 SQUARE NUT W/RETAINER | 1 | 1 |
| 32 | 7200468-001 | #10-12 X 1 PHIL TH SCREW | A/R | A/R |
| 33 | 8801011 | #8 FLAT WASHER 1 | 1 | |
| 34 | 4201239 | #1/4-20 X 3/4 HWH TAPTITE SCREW | 1 | 1 |
| 35 | 4202345-001 | CAN RACK SUPPORT-RH | 1 | 1 |
| 36 | 4202345 | CAN RACK SUPPORT-LH | 1 | 1 |
| 37 | 4202347 | AIR BAFFLE1 | 1 | |
| 38 | 4050202 | #8-18 X 1/2 PHIL HWH TEK SCREW | A/R | A/R |
| 39 | 4201239 | #1/4-20 X 3/4 HWH TAPTITE SCREW | 14 | 14 |
| 40 | 8370959 | CLAMP LOCKING 1 | 1 | |
| 41 | 4050202 | #8-18 X 1/2 PHIL HWH TEK SCREW | 1 | 1 |
| 42 | 4060116 | CLAMP | 1 | 1 |
| 43 | 4202326 | UMBILICAL HARNESS | 1 | 1 |

A/R=AS REQUIRED

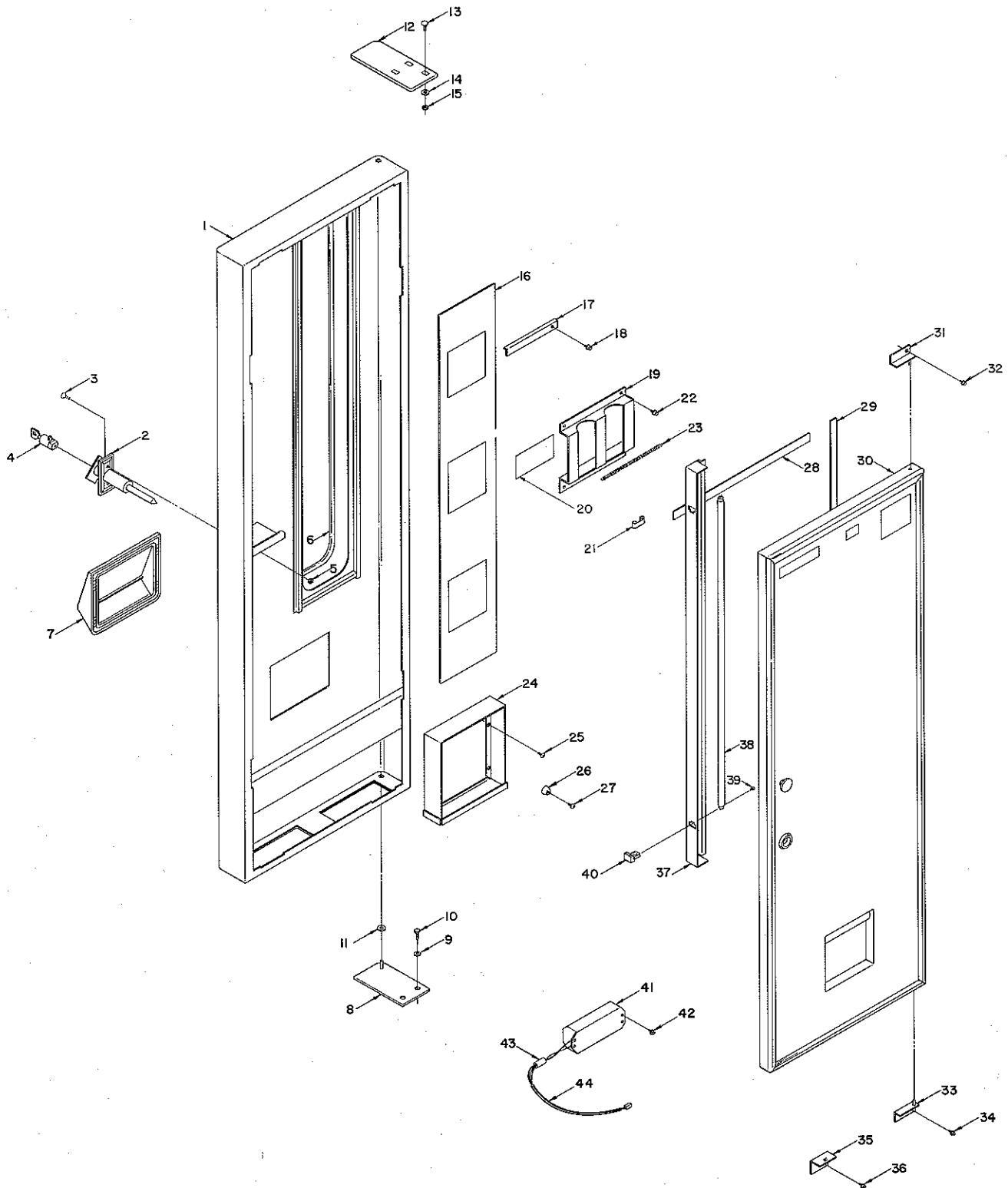
EJECTOR MECH. ASSEMBLY



EJECTOR MECH. ASSEMBLY

| ITEM | PART NUMBER | QTY | DESCRIPTION |
|------|-------------|-----|--|
| | 1211444 | 3 | LOWER EJECTOR MECH ASSY |
| | 1210901 | 3 | LOWER EJECTOR MECH ASSY |
| 1 | 4202826 | 1 | MOTOR-EJECTOR MECH (WITH 3 TERMINAL CIRCUIT BOARD) |
| 1 | 4201533 | 1 | MOTOR-EJECTOR MECH |
| 2 | 4201328 | 1 | MOTOR MOUNT PLATE |
| 3 | 4050202 | 3 | #8-18 x 1/2 PHIL HWH TEK |
| 4 | 4201326 | 1 | RETAINING BRACKET |
| 5 | 8800636 | 2 | #8-18 x 1/2 PHIL PH TYPE B |
| 6 | 4201162 | 1 | CAM-LARGE |
| 7 | 4201542 | 1 | AUXILIARY EJECTOR |
| 8 | 4201628 | 1 | CAM SHAFT RETAINER |
| 9 | 4201160 | 1 | SPACER |
| 10 | 4201161 | 1 | CAM-SMALL |
| 11 | 8620714 | 1 | BUSHINE-SNAP-IN |
| 12 | 7100470-004 | 2 | #4-40 x 5/8 PHIL PH TYPE T |
| 13 | 4201545-003 | 1 | OVERRIDE SWITCH |
| 14 | 4003735 | 1 | SWITCH INSULATOR |
| 15 | 4201636 | 1 | EJECTOR MECH HARNESS (USED WITH 4201533 MOTOR) |
| 15 | 4202946 | 1 | HARNESS (USED WITH 4202826 MOTOR) |
| 16 | 4201327 | 1 | MECH PLATE |
| 17 | 4201545-002 | 1 | SOLD OUT SWITCH |
| 18 | 8801332 | 2 | #4-40 x 3/4 PHIL PH TAPTITE |
| 19 | 4201561 | 1 | SWITCH COVER |
| 20 | 4003735 | 1 | SWITCH INSULATOR |
| | 1211443 | 3 | UPPER EJECTOR MECH ASSY |
| | 1210902 | 3 | UPPER EJECTOR MECH ASSY |
| 1 | 4202826 | 1 | MOTOR-EJECTOR MECH (WITH 3 TERMINAL CIRCUIT BOARD) |
| 1 | 4201533 | 1 | MOTOR-EJECTOR MECH |
| 2 | 4201328 | 1 | MOTOR MOUNT PLATE |
| 3 | 4050202 | 3 | #8-18 x 1/2 PHIL HWH TEK |
| 4 | 4201326 | 1 | RETAINING BRACKET |
| 5 | 8800636 | 2 | #8-18 x 1/2 PHIL PH TYPE 8 |
| 6 | 4201162 | 1 | CAM-LARGE |
| 7 | | | NOT REQUIRED |
| 8 | | | NOT REQUIRED |
| 9 | 4201160 | 1 | SPACER |
| 10 | 4201161 | 1 | CAM-SMALL |
| 11 | 8620714 | 1 | BUSHINE-SNAP-IN |
| 12 | 7100470-004 | 2 | #4-40 x 5/8 PHIL PH TYPE T |
| 13 | 4201545-003 | 1 | OVERRIDE SWITCH |
| 14 | 4003735 | 1 | SWITCH INSULATOR |
| 15 | 4201636 | 1 | EJECTOR MECH HARNESS (USED WITH 4201533 MOTOR) |
| 15 | 4202946 | 1 | HARNESS (USED WITH 4202826 MOTOR) |
| 16 | 4201327 | 1 | MECH PLATE |
| 17 | 4201545-002 | 1 | SOLD OUT SWITCH |
| 18 | 8801332 | 2 | #4-40 x 3/4 PHIL PH TAPTITE |
| 19 | 4201561 | 1 | SWITCH COVER |
| 20 | 4003735 | 1 | SWITCH INSULATOR |

DOOR FINAL - ROUND FRONT



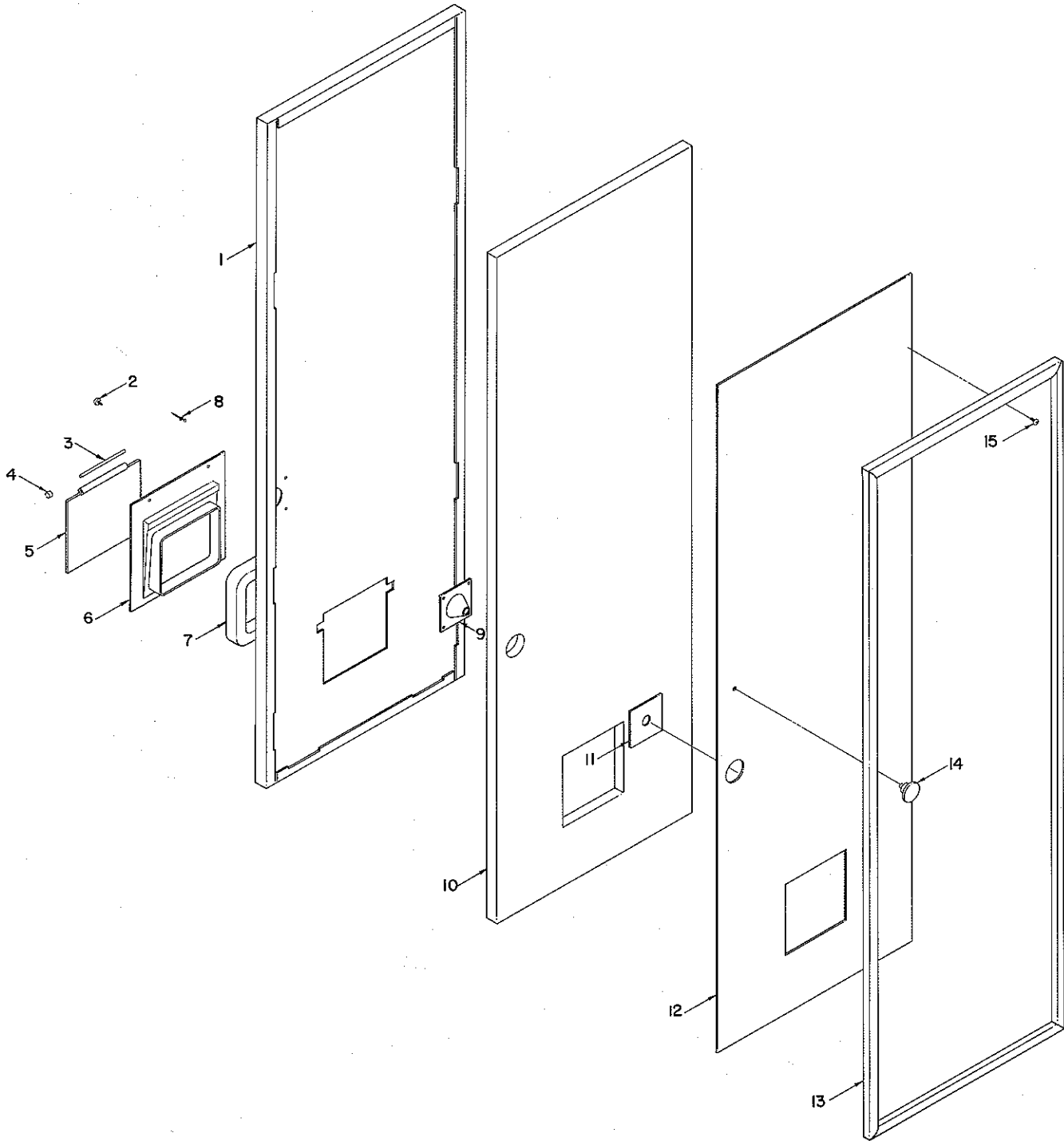
DOOR FINAL - ROUND FRONT

| ITEM | PART NUMBER | DESCRIPTION | TYPE "A" | TYPE "B" |
|------|------------------------|--|----------|----------|
| | | CD-6 ROUND FRONT-TYPE "B" | | |
| 1 | 1212018 1211425-016 | COMPLETE DOOR ASSEMBLY DOOR WELD (WESTOMATIC) | | |
| 1 | 1211425-005 | DOOR WELD - GRANITE GRAY | | 1 |
| 2 | 4060417-001 | T-HANDLE W/LCK NT - BLACK | | 1 |
| 3 | 4050338 | #10-32 x 1/2 PHIL FH MS | | 2 |
| 4 | 4050338-XXX | LOCK CYLINDER WITH KEYS | | 1 |
| 5 | 8800952 | #10-32 HEX NUT W/ETW | | 2 |
| 6 | 4025735-900 | TRIM LOK | | 8 FT |
| 7 | 4202207 | DELIVERY TRIM | | 1 |
| 8 | 1212056-005 | LOWER HINGE STAKE | | 1 |
| | 1212183-002 | LOWER HINGE (WESTOMATIC) | | 1 |
| 9 | 7186148-000 | 5/16 SPLIT WASHER | | 2 |
| 10 | 8801388 | 5/16-18 x 3/4 HWH TYPE D | | 2 |
| 11 | 4050767 | #3/8 FLAT WASHER - NYLON | | A/R |
| 12 | 1211484-005 | UPPER HINGE STAKE | | 1 |
| | 1212182-002 | UPPER HINGE (WESTOMATIC) | | 1 |
| 13 | 4050099 | 5/16-18 x 3/4 CARRIAGE BOLT | | 3 |
| 14 | 7186148-000 | #5/16 SPLIT WASHER | | 3 |
| 15 | 8810015 | #5/16-18 FLANGE LK NUT | | 3 |
| 16 | 4203569-001 | DISPLAY WINDOW - SCREENED | | 1 |
| 17 | 4203092 | WINDOW RETAINER | | 2 |
| 18 | 4050420 | #8-18 x 1/4 PHIL HWH | | A/R |
| 19 | 4203739 | CAN MOUNT SPECIAL | | 3 |
| *20 | 4203752 | OPERATING INSTRUCTION LABEL | | 1 |
| 21 | 4203341 | PRICE SCROLL | | 3 |
| 22 | 4050420 | #8-18 x 1/4 PHIL HWH | | A/R |
| 23 | 8379539-000 | SPRING TENSION | | 3 |
| 24 | 1211422-001 | DELIVERY WELD - BLACK | | 1 |
| 25 | 8800638 | #8-18 x 1/2 PHIL PH | | A/R |
| 26 | 8620821 | RUBBER STOPPER | | 1 |
| 27 | 8800636 | #8-18 x 1/2 PHIL PH | | 1 |
| 28 | 4202255 | GASKET - 1/4 x 3/4 W/ADHV | | 6 FT |
| 29 | 4202255 | GASKET - 1/4 x 3/4 W/ADHV | | 6 FT |
| 30 | 1212020 | INNER DOOR ASSY (SEE PAGE #11) | | 1 |
| 31 | 1211397-002 | INNER HINGE WELD - TOP | | 1 |
| 32 | 4050202 | #8-18 x 1/2 PHIL HWH - TEK | | 2 |
| 33 | 1211397 | INNER HINGE WELD - BOTTOM | | 1 |
| 34 | 4050202 | #8-18 x 1/2 PHIL HWH - TEK | | 2 |
| 35 | 4203050-001 | DOOR CATCH | | 1 |
| 36 | 4050202 | #8-18 x 1/2 PHIL HWH - TEK | | 2 |
| 37 | 4203059 | LIGHT MOUNT | | 1 |
| 38 | 4203131 | LAMP (F30 T12) | | 1 |
| 39 | 8800060 | #6-32 x 3/8 PHIL MACHINE SCREW | | 4 |
| 40 | 4203637 | LAMP SOCKET | | 2 |
| 41 | 4203625-001 | BALLAST ASSEMBLY (230 VOLT) | | 1 |
| 42 | 4050420 | #8-18 x 1/4 PHIL HWH | | 4 |
| 43 | 4202801 | SHIELD BEAD | | 1 |
| 44 | 4203465 | LAMP HARNESS | | 1 |

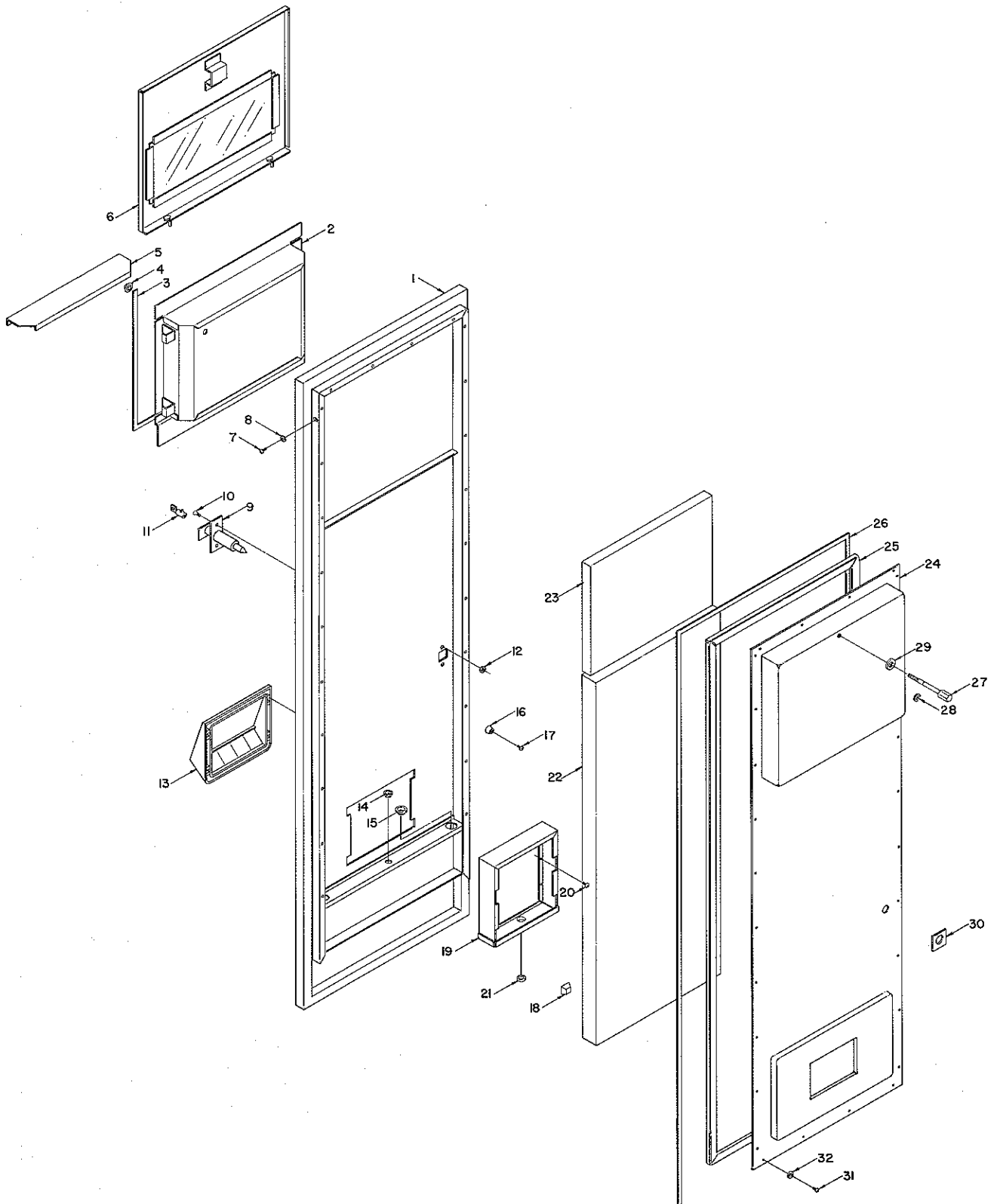
A/R=AS REQUIRED

*FOR INTERNATIONAL APPLICATIONS SEPECIFY LANGUAGE

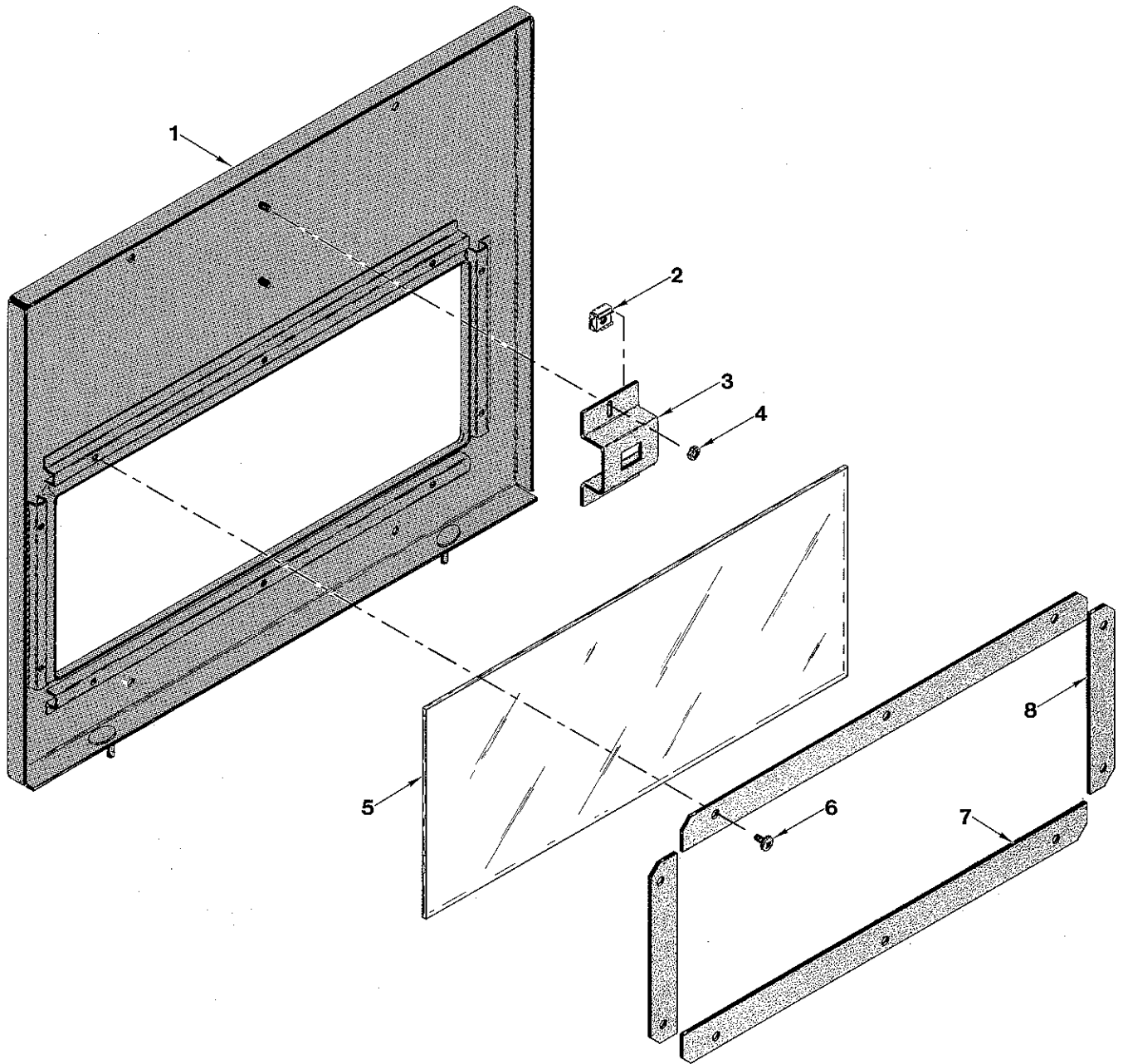
INNER DOOR ASSEMBLY



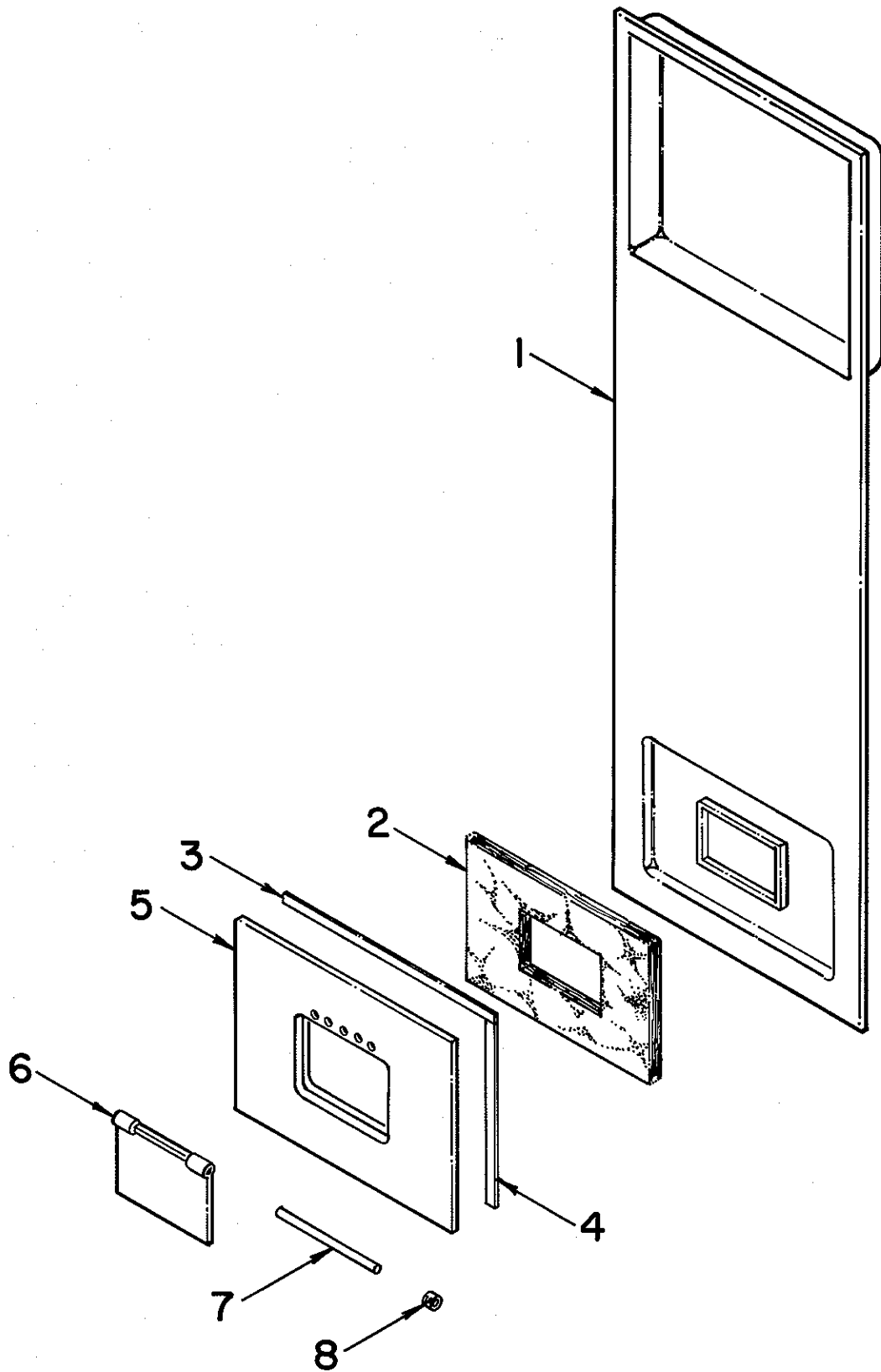
DOOR FINAL - SQUARE FRONT



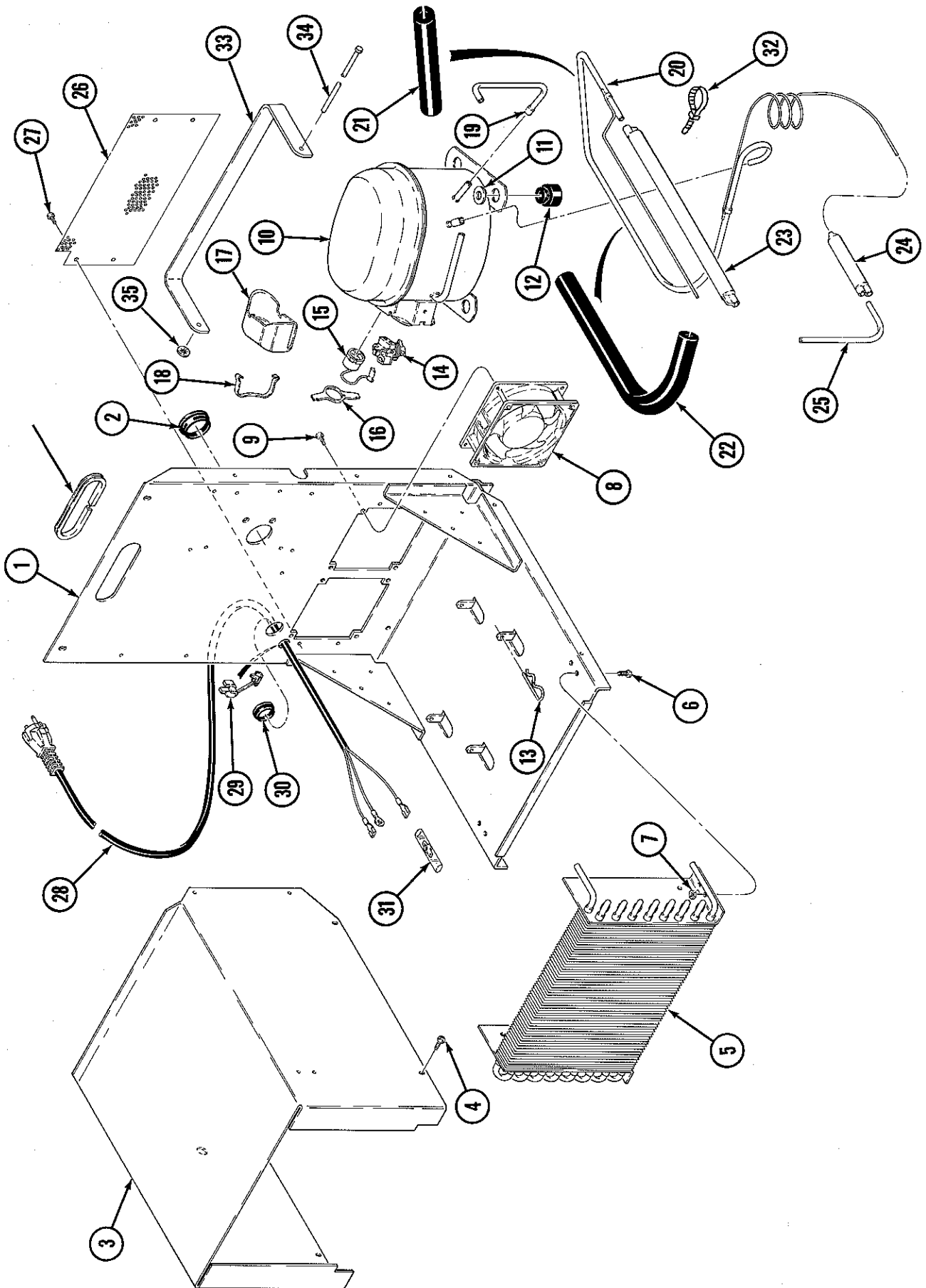
DISPLAY ASSEMBLY - SQUARE FRONT



DOOR LINER ASSEMBLY - SQUARE FRONT



REFER ASSEMBLY



REFER ASSEMBLY

| ITEM | PART NUMBER | DESCRIPTION | TYPE "A" | TYPE "B" |
|------|-------------|---|----------|----------|
| | | R-134a REFRIGERANT REFER ASSEMBLY - 1/4 H.P. | | |
| | 1212326-001 | REFER ASSY - 115 VOLT | X | |
| | 1212326-002 | REFER ASSY - 230 VOLT | | X |
| 1 | 1212209-001 | REFER BASE WELD | 1 | 1 |
| 2 | 8359801-2 | SNAP BUSHING - SPLIT | 1 | 1 |
| 3 | 4202328 | COMPRESSOR COVER | 1 | 1 |
| 4 | 4050202 | #8-18 x 1/2 PHIL HD TEK SCREW | A/R | A/R |
| 5 | 4060477 | CONDENSER COIL | 1 | 1 |
| 6 | 4050240 | #8-32 x 3/8 PHIL SCREW | 4 | 4 |
| 7 | 4050513 | #8-32 TWIN WHIZ LK NUT | 4 | 4 |
| 8 | 4034344-000 | EVAPORATOR FAN - 115 VOLT | 2 | |
| 8 | 4034344-001 | EVAPORATOR FAN - 230 VOLT | | 2 |
| 9 | 8800829 | #10-24 x 3/8 PHIL SCREW | 8 | 8 |
| 10 | 4203789 | COMPRESSOR - 1/4 HP - 115 VOLT | 1 | |
| 10 | 4205469 | COMPRESSOR - 1/4 HP - 230 VOLT | | 1 |
| 11 | 4050608 | 1/2 FLAT WASHER 4 | 4 | |
| 12 | 8323090-1 | GROMMET - COMPRESSOR | 4 | 4 |
| 13 | 4050773-001 | HITCH PIN | 4 | 4 |
| 14 | 8333894-8 | RELAY - STARTING - 115 VOLT | 1 | |
| 14 | 8333894-10 | RELAY - STARTING - 230 VOLT | | |
| 15 | 8045052-28 | OVERLOAD PROTECTOR - 115 VOLT | 1 | |
| 15 | 8045052-16 | OVERLOAD PROTECTOR - 230 VOLT | | 1 |
| 16 | 8344305 | SPRING - OVERLOAD | 1 | 1 |
| 17 | 8344308 | COVER - TERMINAL | 1 | 1 |
| 18 | 8344306 | BALE STRAP | 1 | 1 |
| 19 | 4060716 | DISCHARGE LINE 1 | 1 | |
| 20 | 1211287-003 | SUCTION LINE WELD | 1 | 1 |
| 21 | 8365271 | INSULATION - 12 INCHES | 1 | 1 |
| 22 | 8365271-3 | INSULATION - 24 INCHES | 1 | 1 |
| 23 | 4060480-001 | ACCUMULATOR - 13 INCHES | 1 | 1 |
| 24 | 4205468 | DRIER | 1 | 1 |
| 25 | 4202633 | SERVICE LINE | 1 | 1 |
| 26 | 4205106 | FAN GUARD | 1 | 1 |
| 27 | 8800766 | #8-32 x 1/2 PHILLIPS SCREW | 1 | 1 |
| 28 | 4033631-000 | POWER CORD | 1 | 1 |
| 29 | 4033683 | CORD - STRAIN RELIEF BUSHING | 1 | 1 |
| 30 | 8359801-2 | SNAP BUSHING - SPLIT | 1 | 1 |
| 31 | 4033527 | CONNECTOR - LINE SPLICE | 2 | 2 |
| 32 | 4033712 | CABLE TIE | A/R | A/R |
| 33 | 4205306 | STANDOFF BRACKET | 1 | 1 |
| 34 | 7332474-008 | TIE ROD | 1 | 1 |
| 35 | 7332476-000 | .156 STUD DIA PUSHNUT | 1 | 1 |

A/R=AS REQUIRED

REFER ASSEMBLY

