

GLASSFRONT MERCHANDISER (IIIA SERIES)



PARTS MANUAL

A10738

TABLE OF CONTENTS

GENERAL INFORMATION.....	1
AVAILABLE KITS.....	3
STYLINGS.....	4
STYLING PACKAGE - PARTS.....	6
COMMON DOOR ASSEMBLY.....	8
DELIVERY BOX ASSEMBLY.....	10
COMMON CABINET ASSEMBLY.....	12
GUM & MINT TRAY ASSEMBLY.....	14
PLASTIC TRAY ASSEMBLY.....	16
CONTROL PANEL ASSEMBLY.....	18
LIGHT ASSEMBLY.....	20
POWER PANEL ASSEMBLY.....	21

GENERAL INFORMATION

Welcome to Selectivend, Inc. we offer you three convenient ways to order replacement parts. If you have any questions when placing your order, please call and we'll be happy to assist you. Please provide the following information when placing your order:

Quantity Required

Part Number

Description

Vendor Model

Serial Number

Shipping and Billing Address

Preferred Method of Shipment

Customer Account Number

TO ORDER BY MAIL:

You may place your requirements for replacement parts by providing the necessary information as requested above, and mailing your order to:

Selectivend, Inc.

165 N. 10th St.

P.O. Box 488

Waukee, Iowa 50263-0488

If you have any questions, please call (515) 274-3641, ask for Selectivend, Inc. and we will be happy to assist you.

TO ORDER BY FAX MACHINE: (515) 987-4447

You may Fax your order for replacement parts by providing the necessary information as requested above, to Selectivend, Inc. by using our Fax (515) 987-4447.

If you have any questions, so indicate and we will respond via Fax, with your answer.

TO ORDER BY PHONE: 1-800-323-8792

You may call in your order for replacement parts or contact your local distributor. Ask for Selectivend, Inc. Please provide the necessary information, as requested above, to allow us to provide you with prompt and courteous service.

If you have any questions, so indicate and we will be happy to assist you.

GENERAL INFORMATION

TERMS:

- MINIMUM ORDER \$25.00. You may wish to inquire on prices of parts at the time of your order. If your order is less than the minimum, please check our catalog for other parts you may require to bring your order up to the \$25.00 minimum order.
- OPEN ACCOUNT with approved credit. A credit line may be established.
- MASTER CARD — VISA —C.O.D.

If you have any questions, please call and we will be happy to assist you.

RETURNS:

RESTOCKING CHARGE 20%. A restocking charge of 20% will apply to merchandise accepted by Selectivend for return, except items processed as a warranty.

All items returned must be accompanied by a "material return form" clearly stating the reason for the return. Return are to be shipped freight prepaid to Selectivend, Inc., 165 N. 10th St, Waukee, Iowa 50263-0488. (Forms are available upon request from Selectivend.)

If you have any questions regarding returns, please call Selectivend, Inc. (515) 274-3641, we will be happy to assist you.

LIMITATION OF LIABILITY:

Selectivend, Inc. shall not be liable for any injury, loss or damage, whether direct, incidental or consequential arising out of the use of or the inability to use any part, parts or products sold by Selectivend, Inc. The remedies of the buyer set forth herein are exclusive, and the liability of Selectivend, Inc. with respect to any contract or sale or anything done in connection therewith, whether in contract, in tort, under any warranty, or otherwise, shall not, except as expressly provided herein, exceed the price of the part, parts or products on which such liability is based. Any statements or representations about the parts or product, other than those contained herein, do not constitute warranties and shall not be relied on by the buyer and shall have no force or effect unless contained in a written agreement signed by officers of Selectivend, Inc.

AVAILABLE KITS

PART NUMBER	DESCRIPTION
1200137.000	Hot Can Food Kit
1200137.034	Conlux Validator Lock Kit
1200137.048	French Instruction Label Kit
1200137.070	15 Count Candy Auger Kit
1200137.071	18 Count Candy Auger Kit
1200137.072	24 Count Candy Auger Kit
1200137.073	30 Count Candy Auger Kit
1200137.074	12 Count Candy Auger Kit
1200137.075	9 Count Candy Auger Kit
1200137.076	6 Count Candy Auger Kit
1200137.077	10 Count Snack Auger Kit
1200137.078	12 Count Snack Auger Kit
1200137.079	15 Count Snack Auger Kit
1200137.080	7 Count Snack Auger Kit
1200137.081	8 Count Snack Auger Kit
1200137.096	10 Count Wide Product Kit (Microwave)
1200137.097	7 Count Wide Product Kit (Microwave)
1200137.098	6 Count Lunch Bucket
1200137.101	Leg Lever Wrench Kit
1200137.123	Gum & Mint Helix Kit - 36 Count
1200137.124	Gum & Mint Helix Kit - 48 Count
1200137.134	Can Mart Jumper Harness Kit (BEFORE CANMART S/N 543964 / AFTER SNACKMART S/N 550001)
1200137.135	Can Mart Jumper Harness Kit (AFTER CANMART S/N 543964 / BEFORE SNACKMART S/N 550001)
1210792	Exhaust Fan Kit 115 Volt
1210792.001	Exhaust Fan Kit 220 - 240 Volt
1210807	Door Stop Kit
1211131.003	3 - Wide Kick Panel Kit
1211131.004	4 - Wide Kick Panel Kit
1211131.005	5 - Wide Kick Panel Kit
4060330	Lock Barrel with 2 Keys

STYLINGS



A10751

PRESIDENTIAL WALNUT "A"

ITEM	PART NUMBER	PART DESCRIPTION
1211105.001 Presidential Walnut "A" - 3 Wide		
1	4201119.070	Presidential Walnut - 3 Wide
2	4202073.001	Presidential Walnut - 3 Wide
3	4202074.001	Presidential Walnut - 3 Wide
4	4202072.001	Presidential Walnut - 3 Wide
1211105.002 Presidential Walnut "A" - 4 Wide		
1	4201119.071	Presidential Walnut - 4 Wide
2	4202073.001	Presidential Walnut - 4 Wide
3	4202074.034	Presidential Walnut - 4 Wide
4	4202072.001	Presidential Walnut - 4 Wide
1211105.003 Presidential Walnut "A" - 5 Wide		
1	4201119.072	Presidential Walnut - 5 Wide
2	4202073.001	Presidential Walnut - 5 Wide
3	4202074.067	Presidential Walnut - 5 Wide
4	4202072.001	Presidential Walnut - 5 Wide

PRESIDENTIAL WALNUT "B"

ITEM	PART NUMBER	PART DESCRIPTION
1211105.013 Presidential Walnut "B" - 3 Wide		
1	4201119.082	Black Morocco - 3 Wide
2	4202073.005	Black Morocco - 3 Wide
3	4202074.001	Presidential Walnut - 3 Wide
4	4202072.001	Presidential Walnut - 3 Wide
1211105.014 Presidential Walnut "B" - 4 Wide		
1	4201119.083	Black Morocco - 4 Wide
2	4202073.005	Black Morocco - 4 Wide
3	4202074.034	Presidential Walnut - 4 Wide
4	4202072.001	Presidential Walnut - 4 Wide
1211105.015 Presidential Walnut "B" - 5 Wide		
1	4201119.084	Black Morocco - 5 Wide
2	4202073.005	Black Morocco - 5 Wide
3	4202074.067	Presidential Walnut - 5 Wide
4	4202072.001	Presidential Walnut - 5 Wide

IMPERIAL CROWN

ITEM	PART NUMBER	PART DESCRIPTION
1211105.010 Imperial Crown - 3 Wide		
1	4201119.070	Presidential Walnut - 3 Wide
2	4202073.003	Port-Au-Prince - 3 Wide
3	4202074.001	Presidential Walnut - 3 Wide
4	4202072.003	Port-Au-Prince - 3 Wide
1211105.011 Imperial Crown - 4 Wide		
1	4201119.071	Presidential Walnut - 4 Wide
2	4202073.003	Port-Au-Prince - 4 Wide
3	4202074.034	Presidential Walnut - 4 Wide
4	4202072.003	Port-Au-Prince - 4 Wide
1211105.012 Imperial Crown - 5 Wide		
1	4201119.072	Presidential Walnut - 5 Wide
2	4202073.003	Port-Au-Prince - 5 Wide
3	4202074.067	Presidential Walnut - 5 Wide
4	4202072.003	Port-Au-Prince - 5 Wide

STYLINGS

ROWE AWARD

ITEM	PART NUMBER	PART DESCRIPTION
	1211105.004	Rowe Award - 3 Wide
1	4201119.073	Rosewood - 3 Wide
2	4202073.004	Silver Safari - 3 Wide
3	4202074.002	Rosewood - 3 Wide
4	4202072.004	Silver Safari - 3 Wide
	1211105.005	Rowe Award - 4 Wide
1	4201119.074	Rosewood - 4 Wide
2	4202073.004	Silver Safari - 4 Wide
3	4202074.035	Rosewood - 4 Wide
4	4202072.004	Silver Safari - 4 Wide
	1211105.006	Rowe Award - 5 Wide
1	4201119.075	Rosewood - 5 Wide
2	4202073.004	Silver Safari - 5 Wide
3	4202074.068	Rosewood - 5 Wide
4	4202072.004	Silver Safari - 5 Wide

TRON

ITEM	PART NUMBER	PART DESCRIPTION
	1211105.037	Tron - 3 Wide
1	4201119.082	Black Morocco - 3 Wide
2	4202073.013	Dove Grey - 3 Wide
3	4202074.007	Dove Grey - 3 Wide
4	4202072.013	Dove Grey - 3 Wide
	1211105.038	Tron - 4 Wide
1	4201119.083	Black Morocco - 4 Wide
2	1202073.013	Dove Grey - 4 Wide
3	4202074.040	Dove Grey - 4 Wide
4	4202072.013	Dove Grey - 4 Wide
	1211105.039	Tron - 5 Wide
1	4201119.084	Black Morocco - 5 Wide
2	4202073.013	Dove Grey - 5 Wide
3	4202074.073	Dove Grey - 5 Wide
4	4202072.013	Dove Grey - 5 Wide

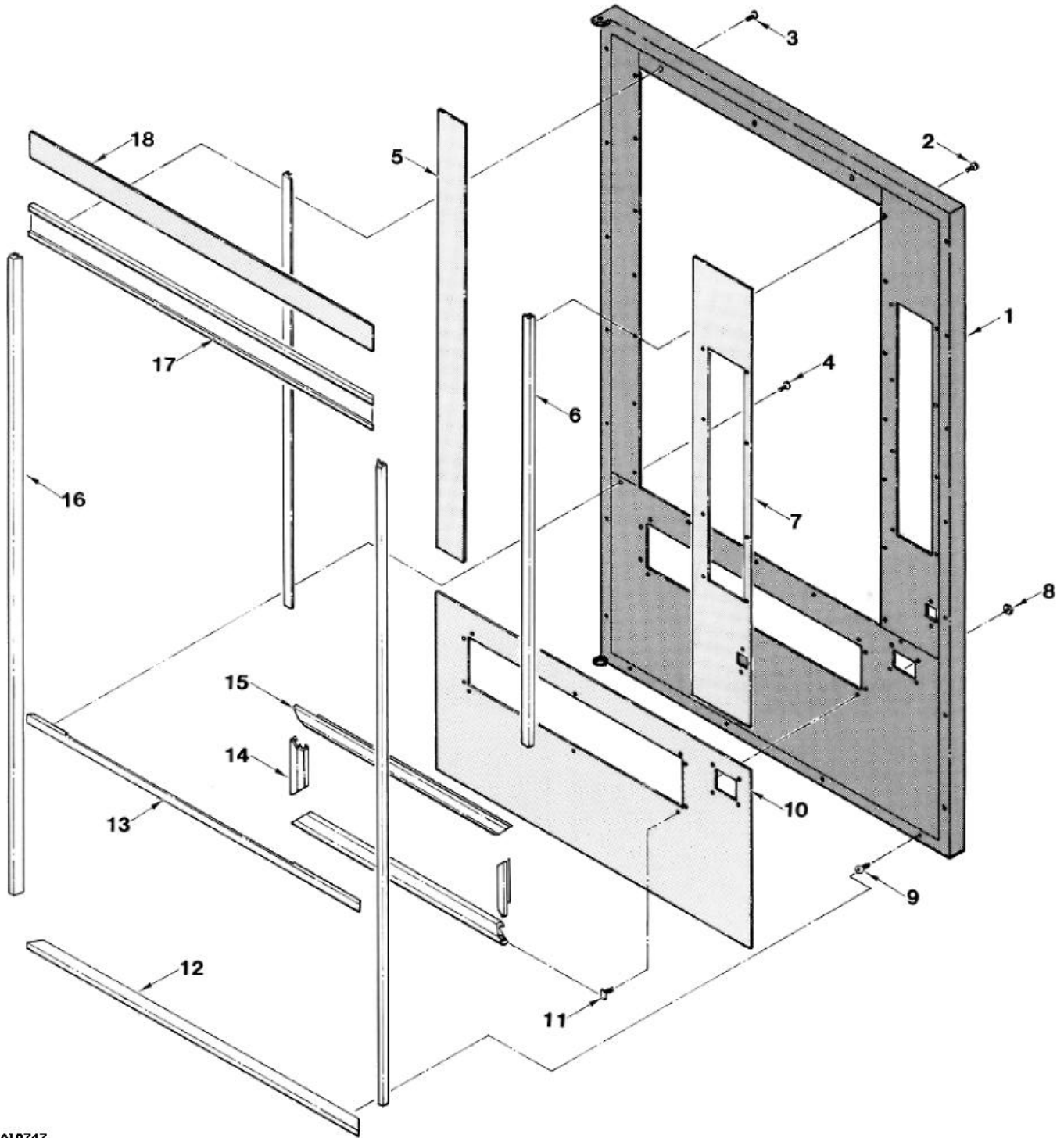
RENAISSANCE BLUE

ITEM	PART NUMBER	PART DESCRIPTION
	1211105.022	Renaissance Blue - 3 Wide
1	4201119.079	Renaissance Blue - 3 Wide
2	4202073.008	Renaissance Blue - 3 Wide
3	4202074.005	Renaissance Blue - 3 Wide
4	4202072.008	Renaissance Blue - 3 Wide
	1211105.023	Renaissance Blue - 4 Wide
1	4201119.080	Renaissance Blue - 4 Wide
2	4202073.008	Renaissance Blue - 4 Wide
3	4202074.038	Renaissance Blue - 4 Wide
4	4202072.008	Renaissance Blue - 4 Wide
	1211105.024	Renaissance Blue - 5 Wide
1	4201119.081	Renaissance Blue - 5 Wide
2	4202073.008	Renaissance Blue - 5 Wide
3	4202074.071	Renaissance Blue - 5 Wide
4	4202072.008	Renaissance Blue - 5 Wide

HIGH TECH / SILVER CLOUD

ITEM	PART NUMBER	PART DESCRIPTION
	1211105.007	High Tech / Silver Cloud - 3 Wide
1	4201119.082	Black Morocco - 3 Wide
2	4202073.007	Brushed Stainless - 3 Wide
3	4202074.003	Brushed Stainless - 3 Wide
4	4202072.007	Brushed Stainless - 3 Wide
	1211105.008	High Tech / Silver Cloud - 4 Wide
1	4201119.083	Black Morocco - 4 Wide
2	4202073.007	Brushed Stainless - 4 Wide
3	4202074.036	Brushed Stainless - 4 Wide
4	4202072.007	Brushed Stainless - 4 Wide
	1211105.009	High Tech / Silver Cloud - 5 Wide
1	4201119.084	Black Morocco - 5 Wide
2	4202073.007	Brushed Stainless - 5 Wide
3	4202074.069	Brushed Stainless - 5 Wide
4	4202072.007	Brushed Stainless - 5 Wide

STYLING PACKAGE - PARTS

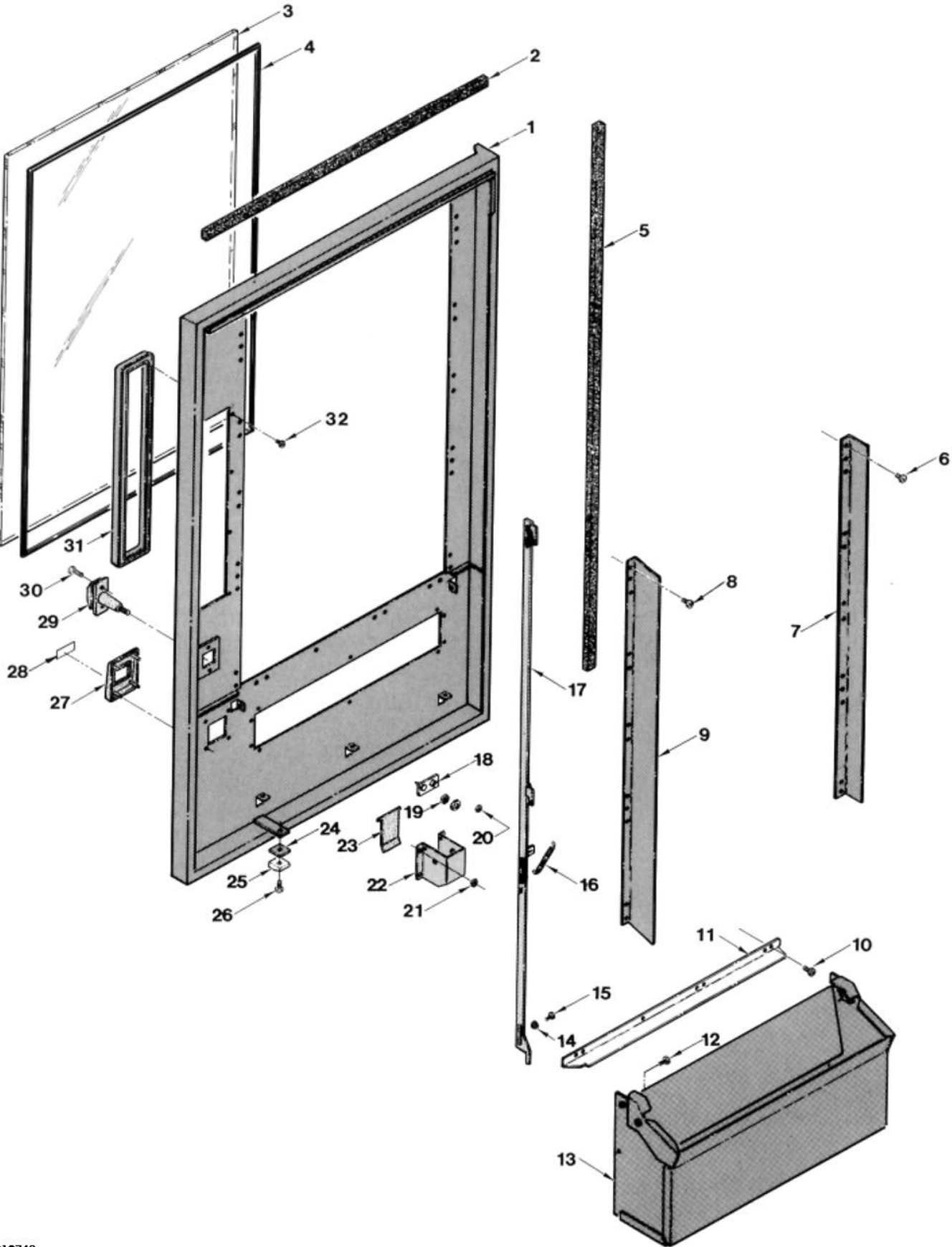


A10747

STYLING PACKAGE - PARTS

ITEM	PART NUMBER	3 WIDE QTY	4 WIDE QTY	5 WIDE QTY	DESCRIPTION
1	121114.003	1			Door Weld Assembly - 3 Wide
	121114.004		1		Door Weld Assembly - 4 Wide
	121114.005			1	Door Weld Assembly - 5 Wide
2	8800638	5	5	5	10-16 x 3/8 Phillips Screw Type-B
3	8800638	2	2	2	10-16 x 3/8 Phillips Screw Type-B
4	8800638	6	7	7	10-16 x 3/8 Phillips Screw Type-B
5	SEE PAGE 3 - 4	1	1	1	Styling Panel - Left
6	4202049	2	2	2	Window Trim - Right
7	SEE PAGE 3 - 4	1	1	1	Styling Panel - Right
8	4050513	10	10	10	8-32 Twin Whiz Lock Nut
9	4201116	17	18	18	10 x 3/8 Trim Head Sheet Metal Screw
10	SEE PAGE 3 - 4	1	1	1	Styling Panel - Lower
11	4050724	10	10	10	8-32 x 3/8 Tee-Bolt
12	4201117.023	1	-	-	Trim / Etched Silver - 3 Wide
	4201117.024	-	1	-	Trim / Etched Silver - 4 Wide
	4201117.025	-	-	1	Trim / Etched Silver - 5 Wide
	4201117.027	1	-	-	Trim / Etched Black - 3 Wide
	4201117.028	-	1	-	Trim / Etched Black - 4 Wide
	4201117.029	-	-	1	Trim / Etched Black - 5 Wide
13	4202048.003	1	-	-	Trim - Window Bottom / Etched Silver - 3 Wide
	4202048.004	-	1	-	Trim - Window Bottom / Etched Silver - 4 Wide
	4202048.005	-	-	1	Trim - Window Bottom / Etched Silver - 5 Wide
14	4022357.022	2	2	2	Trim - Delivery / Etched Silver
15	4022357.019	2	-	-	Trim - Delivery / Etched Silver - 3 Wide
	4022357.020	-	2	-	Trim - Delivery / Etched Silver - 4 Wide
	4022357.021	-	-	2	Trim - Delivery / Etched Silver - 5 Wide
16	4201117.026	2	2	2	Trim / Etched Silver
	4201117.030	2	2	2	Trim / Etched Black
17	4202050.003	1	-	-	Trim / Etched Silver - 3 Wide
	4202050.004	-	1	-	Trim / Etched Silver - 4 Wide
	4202050.005	-	-	1	Trim / Etched Silver - 5 Wide
18	SEE PAGE 3 - 4	1	1	1	Styling Panel - Top

COMMON DOOR ASSEMBLY

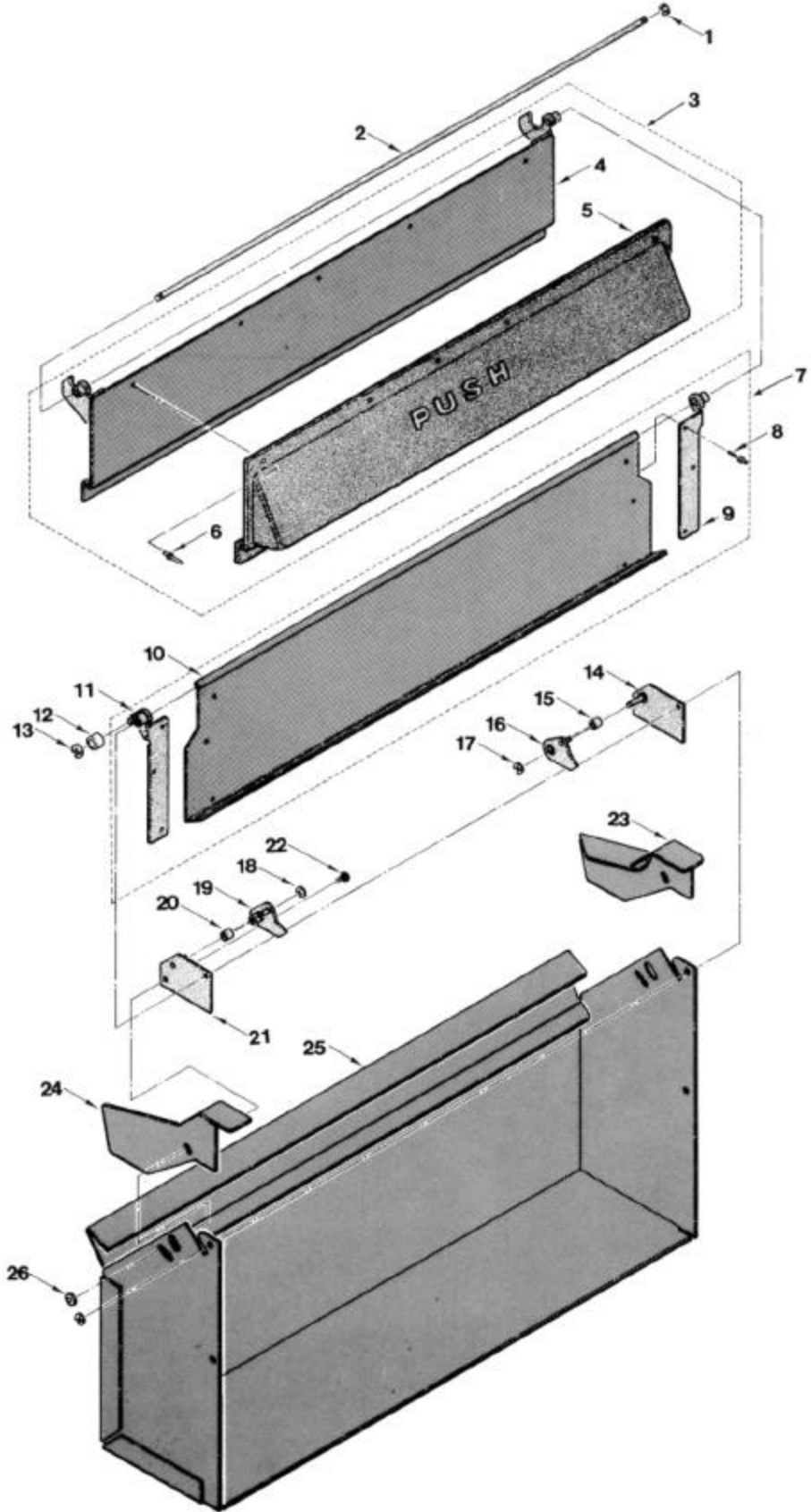


A10748

COMMON DOOR ASSEMBLY

ITEM	PART NUMBER	3 WIDE QTY	4 WIDE QTY	5 WIDE QTY	DESCRIPTION
	1211134.003	1	-	-	Common Door Assembly - 3 Wide
	1211134.004	-	1	-	Common Door Assembly - 4 Wide
	1211134.004	-	-	1	Common Door Assembly - 5 Wide
1	1211114.003	1	-	-	Door Weld Assembly - 3 Wide
	1211114.004	-	1	-	Door Weld Assembly - 4 Wide
	1211114.005	-	-	1	Door Weld Assembly - 5 Wide
2	4202255	2.25 FT	2.25 FT	2.25 FT	Gasket - Door - 3 Wide
	4202255	2.75 FT	2.75 FT	2.75 FT	Gasket - Door - 4 Wide
	4202255	3.25 FT	3.25 FT	3.25 FT	Gasket - Door - 5 Wide
3	4202051.003	1	-	-	Display Glass - 3 Wide
	4202051.004	-	1	-	Display Glass - 4 Wide
	4202051.005	-	-	1	Display Glass - 5 Wide
4	4202039.003	1	-	-	Gasket - Glass - 3 Wide
	4202039.004	-	1	-	Gasket - Glass - 4 Wide
	4202039.005	-	-	1	Gasket - Glass - 5 Wide
5	4202255	5.5 FT	5.5 FT	5.5 FT	Gasket - Door
6	8800638	5	5	5	10 - 16 x 3/8 Phillips Pan Head Screw Type-B
7	4202127	1	1	1	Door Partition - Left
8	8800638	5	5	5	10 - 16 x 3/8 Phillips Pan Head Screw Type-B
9	4202079.001	1	1	1	Door Partition - Right
10	8800638	6	7	7	10 - 16 x 3/8 Phillips Pan Head Screw Type-B (3 Wide)
11	4202113.003	1	-	-	Product Deflector - 3 Wide
	4202113.004	-	1	-	Product Deflector - 4 Wide
	4202113.005	-	-	1	Product Deflector - 5 Wide
12	880638	3	3	3	10 - 16 x 3/8 Phillips Pan Head Screw Type-B
13	SEE PAGES 9 - 10	1	1	1	Delivery Box Assembly
14	4030390	3	3	3	Side Bushing
15	8800541	3	3	3	8 - 18 x 3/4 Phillips Truss Head Screw Type-AB
16	4021005	1	1	1	Spring
17	1211346	1	1	1	Latch Bar
18	1211330	1	1	1	Latch Weldment
19	8801036	1	1	1	1/2 Split Lockwasher
20	4050546	2	2	2	10 - 32 Twin Whiz Nut
21	7334982.000	4	4	4	.156 Stud Self Threading Nut
22	4202083.002	1	1	1	Coin Cup Weld
23	4202068	1	1	1	Coin Cup Weld
24	4202197	1	1	1	Door Lift Spacer
25	4025610	1	1	1	Door Glide
26	8800636	1	1	1	10 - 18 x 1/2 Phillips Pan Head Screw Type-B
27	7334281.000	1	1	1	Change Bezel
28	7334984.000	1	1	1	Change Label
29	4060694	1	1	1	Tee-Handle
30	4050338	2	2	2	10 - 32 x 1/2 Phillips Flat Head Machine Screw
31	4060667	1	1	1	Selection Panel Bezel
32	4050212	8	8	8	8-32x 1/4 Phillips Pan Head Screw Type-T

DELIVERY BOX ASSEMBLY

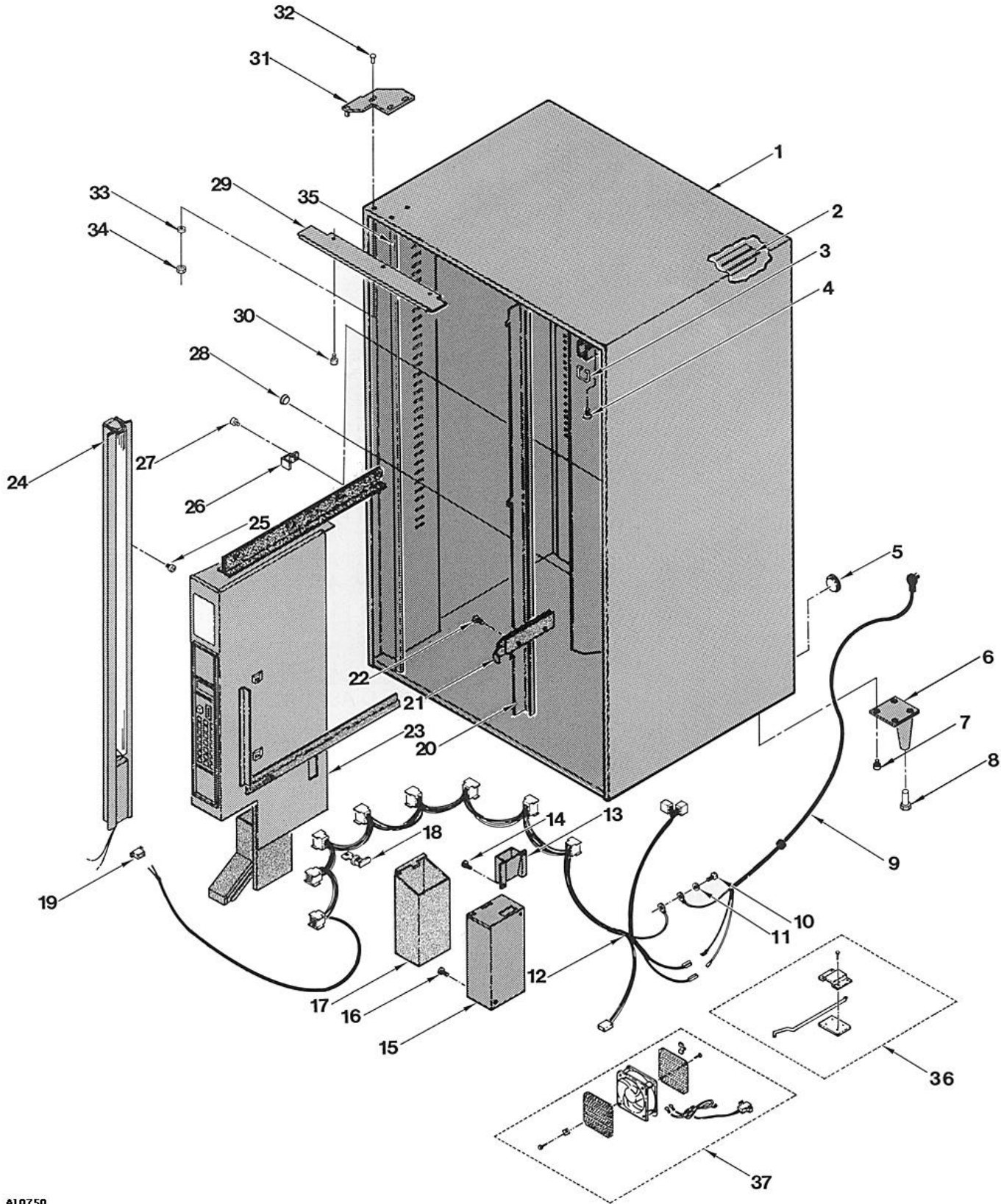


A10749

DELIVERY BOX ASSEMBLY

ITEM	PART NUMBER	3 WIDE QTY	4 WIDE QTY	5 WIDE QTY	DESCRIPTION
	1211125.003	1			Delivery Box Assembly - 3 Wide
	1211125.004		1		Delivery Box Assembly - 4 Wide
	1211125.005			1	Delivery Box Assembly - 5 Wide
1	8801080	2	2	2	5/16 E-ring
2	4060490.006	1	-	-	Delivery Shaft - 3 Wide
	4060490.007	-	1	-	Delivery Shaft - 4 Wide
	4060490.008	-	-	1	Delivery Shaft - 5 Wide
3	1211120.003	1	-	-	Delivery Door Rivet Assembly - 3 Wide
	1211120.004	-	1	-	Delivery Door Rivet Assembly - 4 Wide
	1211120.005	-	-	1	Delivery Door Rivet Assembly - 5 Wide
4	1211109.003			1	Delivery Plate Weldment - 3 Wide
	1211109.004			1	Delivery Plate Weldment - 4 Wide
	1211109.005			1	Delivery Plate Weldment - 5 Wide
5	4025742	1	-	-	Delivery Door - 3 Wide
	4200045.000	-	1	-	Delivery Door - 4 Wide
	8380325	-	-	1	Delivery Door - 5 Wide
6	4050667	6	10	10	1/8 x 1/4 Pop Rivet (3 Wide)
7	1211119.003	1	-	-	Anti-Cheat Rivet Assembly - 3 Wide
	1211119.004	-	1	-	Anti-Cheat Rivet Assembly - 4 Wide
	1211119.005	-	-	1	Anti-Cheat Rivet Assembly - 5 Wide
8	4050667			6	1/8 x 1/4 Pop Rivet
9	1102927.000			1	Hinge Assembly - Right
10	4202082.003	1	-	-	Anti-Cheat Panel - 3 Wide
	4202082.004	-	1	-	Anti-Cheat Panel - 4 Wide
	4202082.005	-	-	1	Anti-Cheat Panel - 5 Wide
11	1102927.001	1	1	1	Hinge Assembly - Left
12	4030409	2	2	2	Roller
13	8801080	2	2	2	5/16 E-Ring
14	1102923.001	1	1	1	Stake Assembly - Left
15	4060499	1	1	1	Needle Bearing
16	1102892.001	1	1	1	Cam Weld Assembly - Left
17	8801080	1	1	1	5/16 E-Ring
18	8801080	1	1	1	5/16 E-Ring
19	1102892.000	1	1	1	Cam Weld Assembly - Right
20	4060499	1	1	1	Needle Bearing
21	1103923.000	1	1	1	Stake Assembly - Right
22	7188598.000	2	2	2	#10 - 32 x 3/8 Carriage Bolt
23	4200140.001	1	1	1	Product Deflector
24	4200140.000	1	1	1	Product Deflector
25	1211110.006	1	-	-	Delivery Weldment - 3 Wide
	1211110.007	-	1	-	Delivery Weldment - 4 Wide
	1211110.008	-	-	1	Delivery Weldment - 5 Wide
26	4050546	2	2	2	#10 - 32 Twin Whiz Nut

COMMON CABINET ASSEMBLY

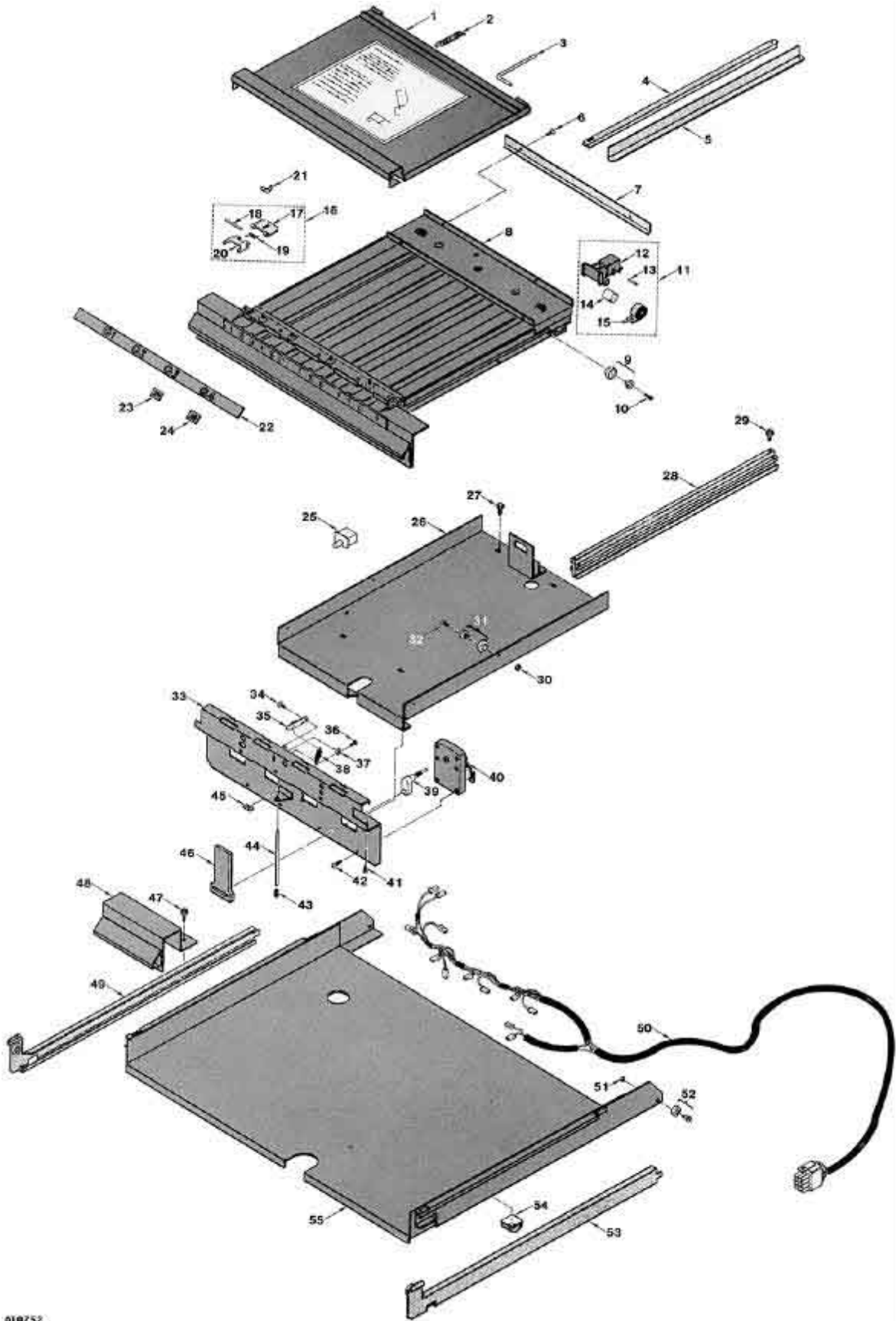


A10750

COMMON CABINET ASSEMBLY

ITEM	PART NUMBER	3 WIDE QTY	4 WIDE QTY	5 WIDE QTY	DESCRIPTION
	1211130.003	1	-	-	Common Cabinet Assembly - 3 Wide
	1211130.004	-	1	-	Common Cabinet Assembly - 4 Wide
	1211130.005	-	-	1	Common Cabinet Assembly - 5 Wide
1	1211100.001	1	-	-	Cabinet Weld Assembly - 3 Wide
	1211100.002	-	1	-	Cabinet Weld Assembly - 4 Wide
	1211100.003	-	-	1	Cabinet Weld Assembly - 5 Wide
2	1211104.002	1	1	1	Hanger Channel
3	4202126	1	1	1	Hanger Channel Catch
4	4050373	6	6	6	1/4 - 20 x 1/2 Pan Head Taptite Screw
5	7250135.007	2	2	2	Hole Plug - 2 1/4"
6	1131275	4	4	4	Leg Weldment
7	8801388	16	16	16	5/16 - 18 x 3/4 Hex Washer Head Screw Type-D
8	8363374	4	4	4	Leg Leveler
9	4033631.004	1	1	1	Power Cable
10	4050423	1	1	1	8-18 x 3/8 Pan Head Screw Type-AB
11	4050585	1	1	1	#8 Ext. Tooth Lockwasher
12	4202120	1	1	1	Motor Harness
13	1211158	1	1	1	Coin Chute Weldment
14	4050423	2	2	2	8-18 x 3/8 Pan Head Screw Type-AB
15	1211157	1	1	1	Coin Box Bracket Weldment
16	4050423	2	2	2	8-18 x 3/8 Pan Head Screw Type-AB
17	1211156	1	1	1	Coin Box Weldment
18	4060366	1	1	1	Lock - Coin Box (optional)
19	8345008.1	1	1	1	Receptacle
20	4202095.002	1	1	1	Harness Cover
21	1211150.001	1	1	1	Control Panel Guide Weldment
22	7331309.000	2	2	2	8-18 x 3/8 Pan Head Screw Type-AB
23	SEE PAGES 18 -19	1	1	1	Control Panel Assembly
24	SEE PAGE 20	1	1	1	Light Asembly
25	4050423	3	3	3	8-18 x 3/8 Pan Head Screw Type-AB
26	4202541	1	1	1	Top Catch
27	4050373	2	2	2	1/4 - 20 x 1/2 Pan Head Screw Taptite
28	7250135.001	2	2	2	Hole Plug, BFP - 1/2
29	4202184.003	1	-	-	Light Harness Retainer - 3 Wide
	4202184.004	-	1	-	Light Harness Retainer - 4 Wide
	4202184.005	-	-	1	Light Harness Retainer - 5 Wide
30	4050423	2	3	3	8-18 x 3/8 Pan Head Screw Type-AB
31	1211102.002	1	1	1	Hinge Weldment - Upper
32	4050099	3	3	3	5/16 - 18 x 3/4 Carriage Bolt
33	7186148.000	3	3	3	5/16 Split Washer
34	4050066	3	3	3	5/16 - 18 Hex Nut
35	4202256	5.3 FT	5.3 FT	5.3 FT	Edge Guard
36	SEE PAGE 3	1	1	1	Door Stop Installation
37	SEE PAGE 3	1	1	1	Exhaust Fan Assembly

GUM & MINT TRAY ASSEMBLY

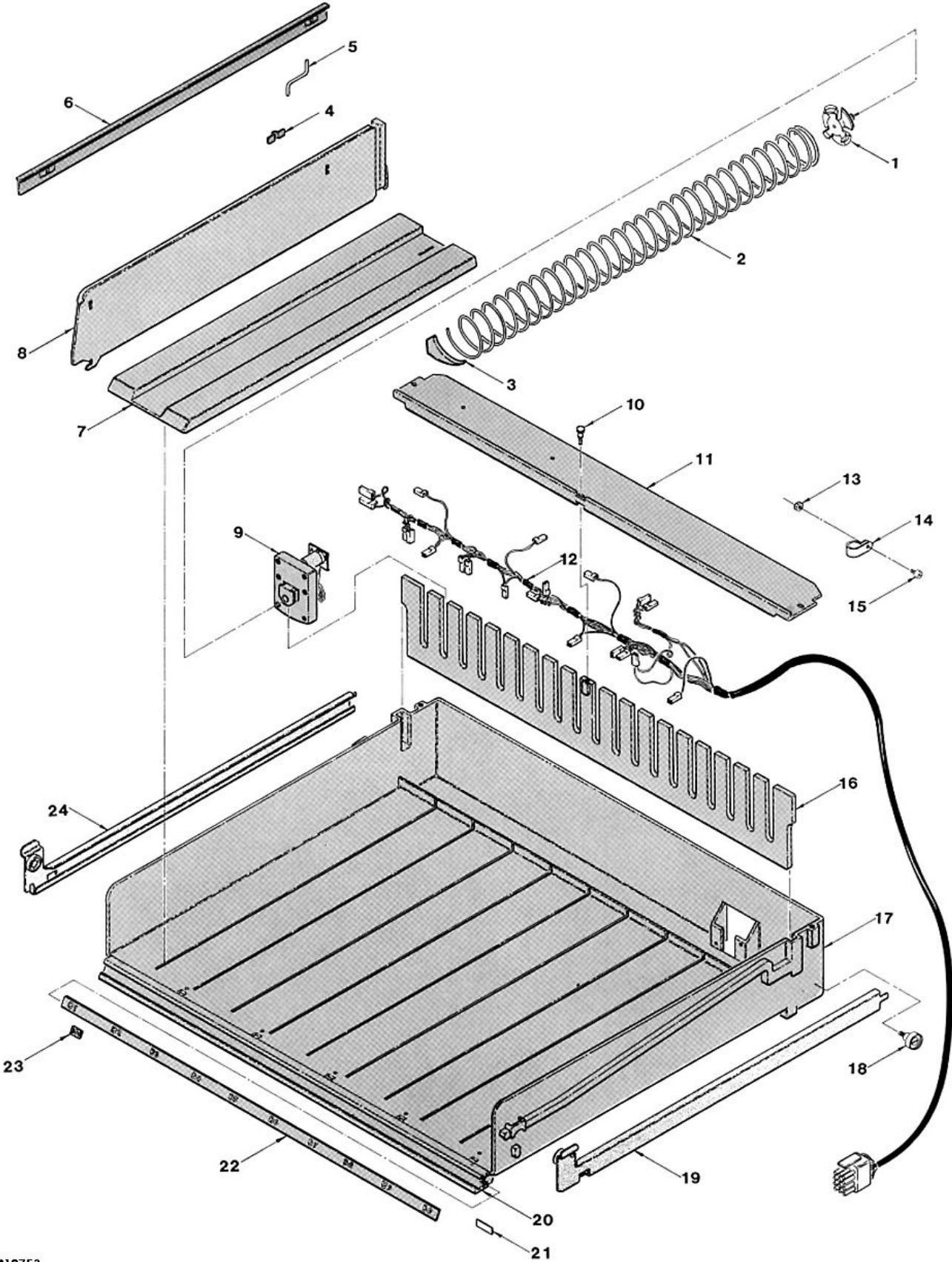


A10752

GUM & MINT TRAY ASSEMBLY

ITEM	PART NUMBER	3 WIDE QTY	4 WIDE QTY	5 WIDE QTY	DESCRIPTION
	1211132.003	1	-	-	Gum & Mint Tray Assembly - 3 Wide
	1211132.004	-	1	-	Gum & Mint Tray Assembly - 4 Wide
	1211132.005	-	-	1	Gum & Mint Tray Assembly - 5 Wide
1	1200024.000	1	1	1	Cover Weld Assembly
2	8383131	1	1	1	Spring - Cover
3	8383241	2	2	2	Pin - Lid Hinge
4	4003370	4	4	4	Spacer - Small Product
5	8383129.001	2	2	2	Partition - Removeable
6	4050420	2	2	2	8-18 x 1/4 Hex Washer Head Screw Type-B
7	4200050.000	1	1	1	Sold Out Retainer
8	1210556	1	1	1	Tray Rivet Assembly
9	4060172	4	4	4	Rolloer - Nylon
10	8801193	4	4	4	8-32 x 3/8 Hex Washer Head Screw Type-B
11	1131020	4	4	4	Product Pusher Assembly
12	8383066	4	4	4	Pusher
13	8801134	4	4	4	1/8 x 1 Pin
14	8383081	4	4	4	Bearing - Pusher Spring
15	8383337	4	4	4	Spring
16	1131095	4	4	4	Gate Assembly
17	8383091	4	4	4	Section - Gate Hinge
18	8383124	4	4	4	Pin
19	8383067	4	4	4	Spring
20	8383092	4	4	4	Product Gate
21	4201874.000	4	4	4	8-32 Wing Nut - Stamped
22	4200062.000	1	1	1	Selection Label
23	8620154	1	1	1	Price Blank - \$0.45
24	8620155	1	1	1	Price Blank - \$0.50 - \$0.75
25	8361630	1	1	1	Inter Lock Switch
26	1200002.001	1	1	1	Drawer Base Weld Assembly
27	4050420	4	4	4	8-18 x 3/8 Pan Head Screw Type-AB
28	4022404	2	2	2	Extrusion Track
29	4050420	8	8	8	8-18 x 1/4 Hex Washer Head Screw Type-B
30	4050494	4	4	4	8-32 Nut
31	4060172	4	4	4	Roller - Nylon
32	8801193	4	4	4	8-32 x 3/8 Round Head Machine Screw
33	1200020.000	1	1	1	Front Panel Weld Assembly
34	8380513	1	1	1	8-32 x 3/8 Shoulder Screw
35	8383069	1	1	1	Latch Arm
36	8800766	1	1	1	8-32 x 1/2 Pan Head Screw Type-T
37	4050494	1	1	1	8 - 32 Nut, Uni-Torque
38	4021020	1	1	1	Spring
39	4025747	4	4	4	Vend Cam
40	4034388	4	4	4	Motor
41	4050423	4	4	4	8-18 x 3/8 Screw Type-AB
42	8800636	8	8	8	8-18 x 1/2 Pan Head Screw Type-B
43	4050548.001	1	1	1	Screw Cover
44	4003757	1	1	1	Bar Latch
45	4050561	1	1	1	.156 Diameter Stud Pushnut
46	4025678.001	4	4	4	Pusher
47	4050423	-	2	2	8-18 x 3/8 Pan Head Screw Type-T
48	4202112.004	-	1	-	Filler (4 Wide)
	4202112.005	-	-	1	Filler (5 Wide)
49	1200321.002	1	1	1	Side Rail Rivet Assembly
50	4202118	1	1	1	Gum & Mint Harness
51	4050496	2	2	2	1/4 - 20 nut, Uni-Torque
52	4060670.001	2	2	2	Roller - Nylon
53	1211321.003	1	1	1	Side Rail Rivet Assembly
54	4200330.003	2	2	2	Clip
55	1211113.003	1	-	-	Gum & Mint Tray Weldment (3 Wide)
	1211113.004	-	1	-	Gum & Mint Tray Weldment (4 Wide)
	1211113.005	-	-	1	Gum & Mint Tray Weldment (5 Wide)

PLASTIC TRAY ASSEMBLY

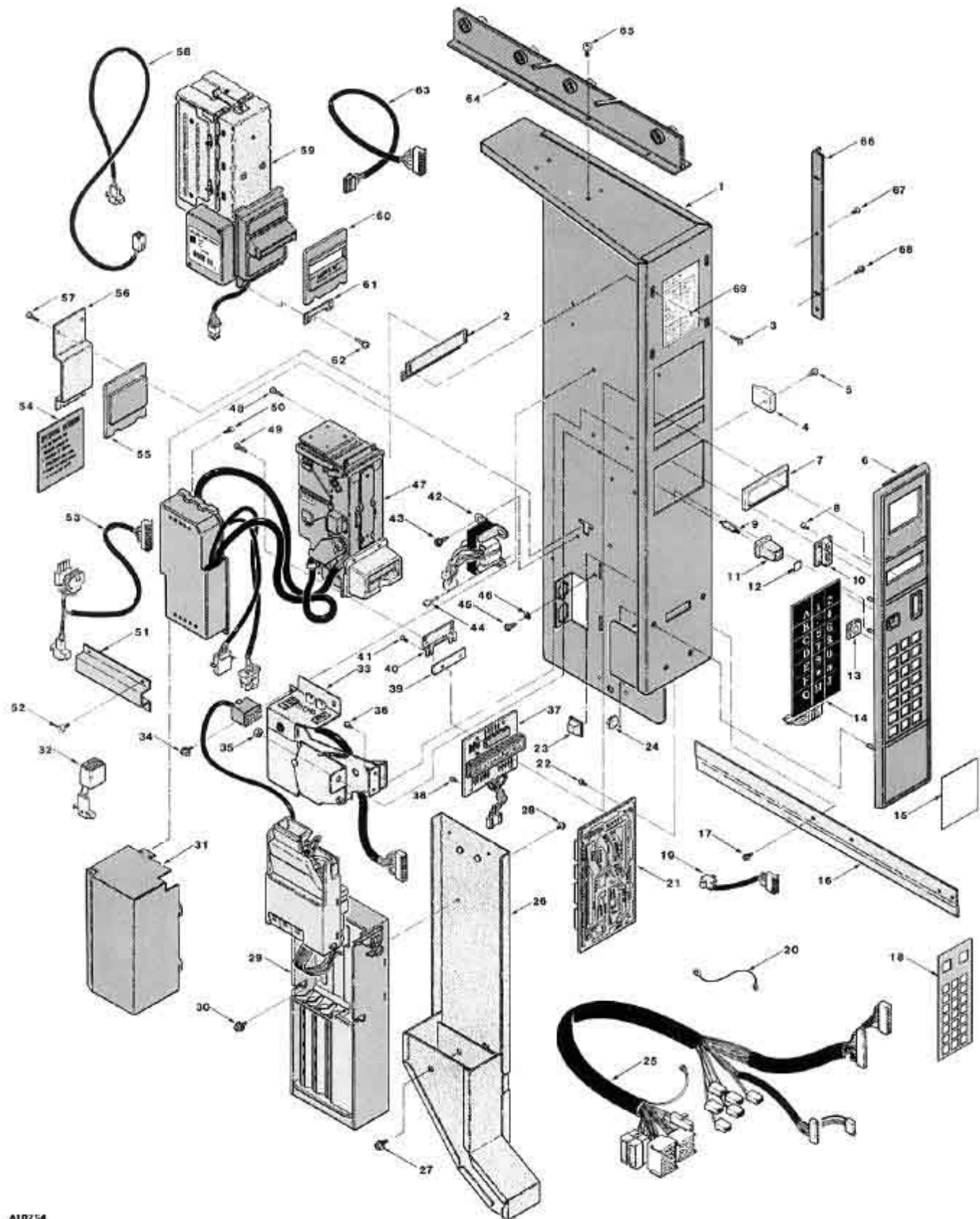


A10753

PLASTIC TRAY ASSEMBLY

ITEM	PART NUMBER	3 WIDE QTY	4 WIDE QTY	5 WIDE QTY	DESCRIPTION
1	4202015	3 - 6	4 - 8	5 - 10	Auger Hub Assembly
2	4200272.000	6	8	10	Auger 15 Select Candy
	4200272.001	6	8	10	Auger 18 Select Candy
	4200272.002	6	8	10	Auger 24 Select Candy
	4200272.003	6	8	10	Auger 30 Select Candy
	4200272.004	6	8	10	Auger 12 Select Candy
	4200272.005	6	8	10	Auger 9 Select Candy
	4200272.006	6	8	10	Auger 6 Select Candy
	4200272.007	3	4	5	Auger 10 Select Candy
	4200272.008	3	4	5	Auger 12 Select Candy
	4200272.009	3	4	5	Auger 15 Select Candy
	4200272.010	3	4	5	Auger 7 Select Candy
	4200272.011	3	4	5	Auger 8 Select Candy
3	4025748	3 - 6	4 - 8	5 - 10	Product Ejector
4	4200281	6	6	6	Spring Clip
5	8370998	6	6	6	Spacer Support
6	8370660.5	3	3	3	Spacer
7	4200340	3	4	5	Auger Retainer
8	4025797	2 - 5	3 - 7	4 - 9	Divider
9	4034388	3 - 6	4 - 8	5 - 10	Auger Motor
10	8045133	2	3	3	8-32 x 3/8 Thumb Screw
11	4025802.003	1	-	-	Motor Cover (3 Wide)
	4025802.002	-	1	-	Motor Cover (4 Wide)
	4025802.001	-	-	1	Motor Cover (5 Wide)
12	4202116.003	1	-	-	Tray Harness (3 Wide)
	4202116.004	-	1	-	Tray Harness (4 Wide)
	4202116.005	-	-	1	Tray Harness (5 Wide)
13	4050513	1	1	1	8-32 Twin Whiz Lock Nut
14	4060116	1	1	1	Wire Clamp
15	4050262	1	1	1	8-32 x 3/4 Pan Head Machine Screw
16	4202038	1	-	-	Motor Mounting Plate (3 Wide)
	4202036	-	1	-	Motor Mounting Plate (4 Wide)
	4025799	-	-	1	Motor Mounting Plate (5 Wide)
17	1211066.003	1	-	-	Tray Assembly (3 Wide)
	1211066.004	-	1	-	Tray Assembly (4 Wide)
	1211066	-	-	1	Tray Assembly (5 Wide)
18	4060670.001	2	2	2	Roller
19	1200321.002	1	1	1	Side Rail Rivet Assembly
20	4202551.003	1	-	-	Label Holder (3 Wide)
	4202551.004	-	1	-	Label Holder (4 Wide)
	4022408.000	-	-	1	Label Holder (5 Wide)
21	4202777	16"	21"	-	Tape
22	4201209.019 - 026	1	-	-	Section Stip "A" thru "H" (3 Wide)
	4201209.010 thru .017	-	1	-	Section Stip "A" thru "H" (4 Wide)
	4201209.001 thru -018	-	-	1	Section Stip "A" thru "H" (5 Wide)
23	4200051	1	1	1	Price Label \$1.50 - \$3.15
	4200052	2	2	2	Price Label \$0.10 - \$1.50
24	1200321.003	1	1	1	Side Rail Rivet Assembly

CONTROL PANEL ASSEMBLY



A10754

CONTROL PANEL ASSEMBLY

ITEM	PART NUMBER	3 WIDE QTY	4 WIDE QTY	5 WIDE QTY	DESCRIPTION
	1211123	1	1	1	Control Panel Assembly - 115 Volt
	1211404 ⊕	1	1	1	Control Panel Assembly - 220 - 240 Volt
1	1211112.002	1	1	1	Control Panel Weld Assembly
2	4003100.002	1	1	1	Validator Mtg Bracket - Upper
3	8800636	2	2	2	8-18 x 3/8 Pan Head Screw Type-B
4	4025610	2	2	2	Door Guide
5	4050239	2	2	2	8-18 x 3/8 Pan Head Screw Type-T
6	4201199.001	1	1	1	Selector Panel
7	4200659	1	1	1	Display Window
8	4050120	2	2	2	6-32 x 5/16 Pan Head Screw Type-T
9	4060488.002	1	1	1	Rod - Coin Return
10	4025752	1	1	1	Coin Insert Molding
11	4025750	1	1	1	Button - Coin Return
12	4020859.000	1	1	1	Coin Return Label
13	4025741	21	21	21	Push Button
14	1102917.002	1	1	1	Key Pad Assembly
15	4020855	1	1	1	Operating Instructions
16	4202098.001	1	1	1	Control Panel Guide
17	4050420	3	3	3	8-18 x 1/4 Hex Washer Head Screw Type-B
18	4200646	1	1	1	Keypad Overlay
19	4200705 ⊕	1	1	1	Data Harness
20	4202513 ⊕	1	1	1	Grounding Wire
21	4202210	1	1	1	Control Board (Spanish, Italian, French, English)
21	4201042	1	1	1	Control Board (German, Dutch, French, English)
22	4050120	2	2	2	6-32 x 5/16 Pan Head Screw Type-T
23	4200238	3	3	3	Self Adhesive Feet
24	4050747	6	6	6	1/4 Stamped Hex Nut
25	4202119	1	1	1	Panel Harness
26	1211010.006	1	1	1	Coin Mech. Plate Weld
27	4050420	1	1	1	8-18 x 1/4 Hex Washer Head Screw Type-B
28	4050420	2	2	2	8-18 x 1/4 Hex Washer Head Screw Type-B
29	4200732 ✓	1	1	1	Coin Mech. - MARS TRC6010
	4200419 ✓	1	1	1	Coin Mech. - COINCO 9302L
30	4050420	1	1	1	8-18 x 1/4 Hex Washer Head Screw Type-B
31	4202240.001	1	1	1	Transformer Cover
32	4200709 ⊕	1	1	1	Power Harness (Export only)
33	SEE PAGE 21				Power Panel Assembly
34	4050420	3	3	3	8-18 x 1/4 Hex Washer Head Screw Type-B
35	4050496	1	1	1	1/4 x 20 Hex Nut, Uni-Torque
36	4050423	2	2	2	8-18 x 3/8 Pan Head Screw Type-AB
37	4200660	1	1	1	Digital Display
38	4050120	2	2	2	6-32 x 5/16 Pan Head Screw Type-T
39	4200717	1	1	1	Insulator
40	4003094.002	1	1	1	Lower Mtg. Bracket - Validator
41	4050423	2	2	2	8-18 x 3/8 Pan Head Screw Type-T
42	1200323	1	1	1	Transformer 115 Volt
	4201526 ⊕	1	1	1	Transformer 222 - 240 Volt
43	4050420	1	1	1	8-18 x 1/4 Hex Washer Head Screw Type-B
44	4050423	1	1	1	8-18 x 3/8 Sheef Metal Screw
45	4050420	1	1	1	8-18 x 1/4 Hex Washer Head Screw Type-B
46	4050585	1	1	1	#8 External Tooth Washer
	1210752.001 □✓	1	1	1	MAKA Validator Package (400)
47	4034401	1	1	1	Validator Package
48	8800636	2	2	2	8-18 x 3/8 Pan Head Screw Type-B
49	8800636	2	2	2	8-18 x 3/8 Pan Head Screw Type-B
50	4050792	2	2	2	10-18 x 3/8 Pan Head Screw Type-B
51	4202247	1	1	1	Validator Harness Cover
52	4050420	4	4	4	8-18 x 1/4 Hex Washer Head Screw Type-B
53	4200704.117	1	1	1	Validator Harness - MAKA
54	4020862	1	1	1	Operating Instructions - Upper
55	4025756	1	1	1	Filler - Validator Opening
56	4003093.002	1	1	1	Filler - Retainer Bracket
57	8800636	4	4	4	8-18 x 3/8 Pan Head Screw Type-B
	1210752.002 □✓	1	1	1	MARS - Validator Package (400)
58	4200708.117	1	1	1	Validator Power Harness - MARS
59	4200315	1	1	1	Validator MARS
60	4025755	1	1	1	Bezel - MARS Validator
61	4003038.001	1	1	1	Lower Mounting Bracket
62	8800636	4	4	4	8-18 x 3/8 Pan Head Screw Type-B
63	4200712	1	1	1	Validator Data Harness - MARS
64	1211108	1	1	1	Control Panel Rail Stake
65	8800636	6	6	6	8-18 x 3/8 Pan Head Screw Type-B
66	4202097.002	1	1	1	Control Panel Stop
67	4050180	1	1	1	8-18 x 1/2 Pan Head Screw Type-B
68	4050420	2	2	2	8-18 x 1/4 Hex Washer Head Screw Type-B
69	4201661	1	1	1	Quick Reference Guide

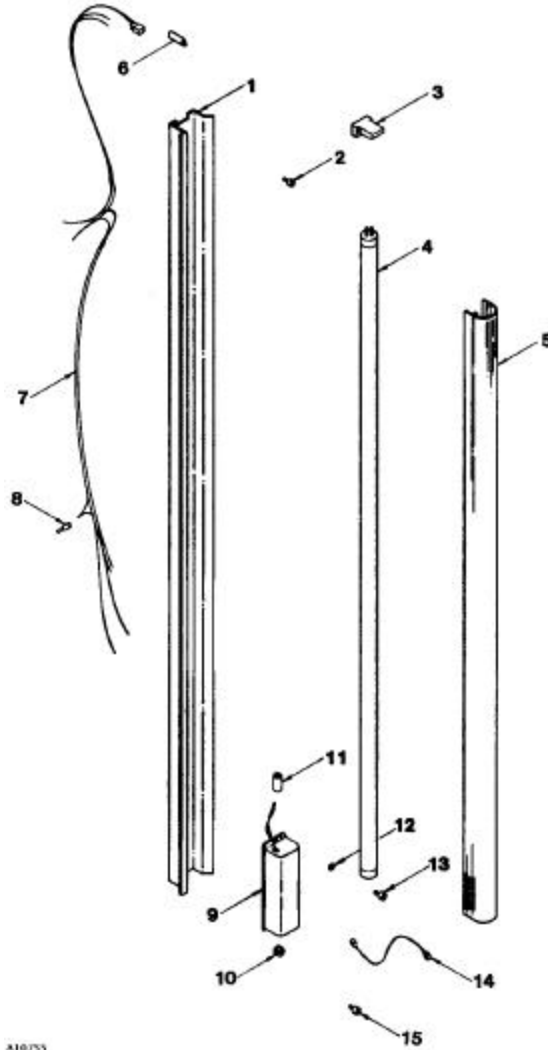
⊕=220-240 VOLTAGE ONLY

✓=OPTIONAL

⊕=EXPORT

□=200 & 1000 STACKER VALIDATORS AVAILABLE UPON REQUEST

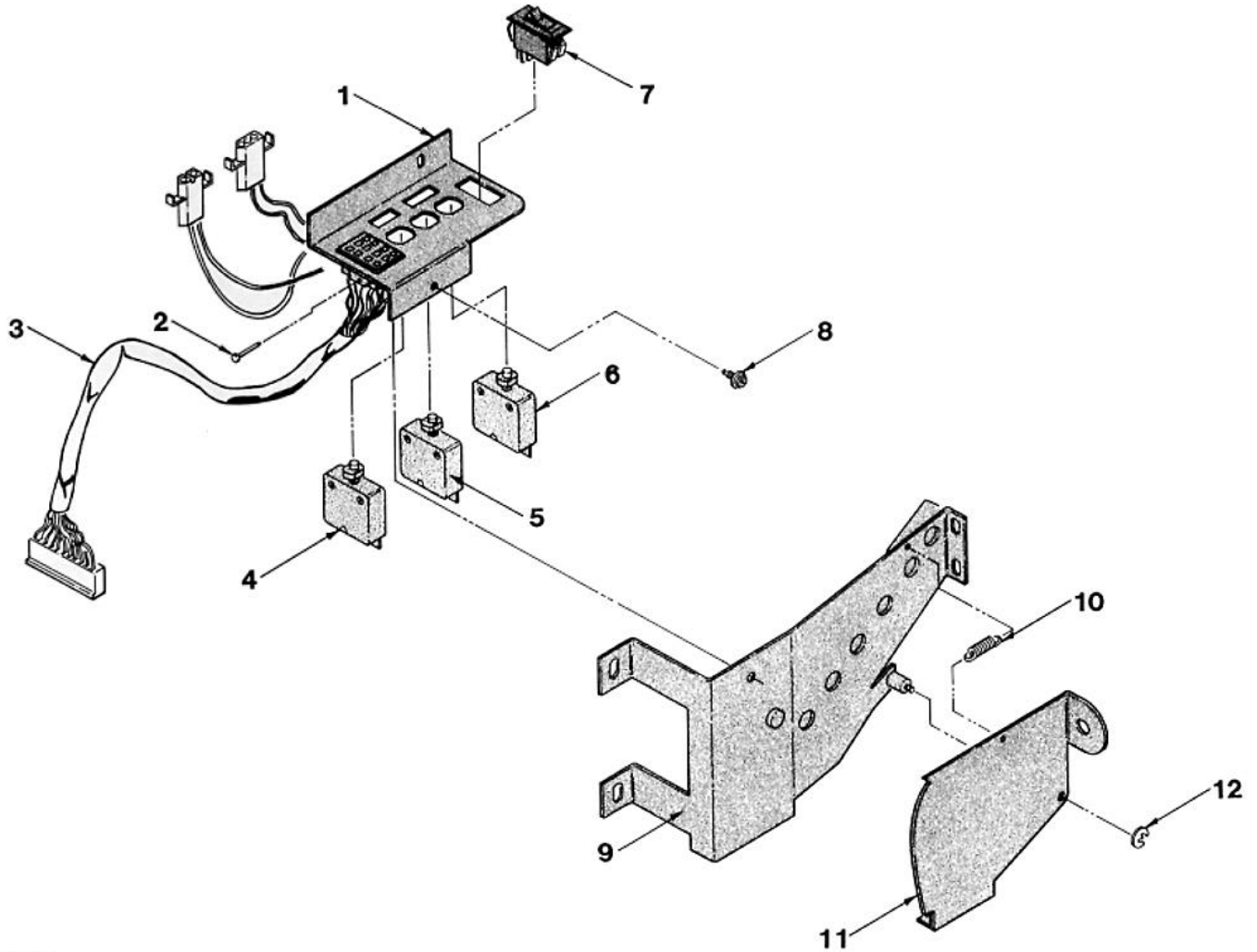
LIGHT ASSEMBLY



A10/55

ITEM	PART NUMBER	3 WIDE QTY	4 WIDE QTY	5 WIDE QTY	DESCRIPTION
	1211345	1	1	1	Light Assembly, 110 Volt
	1211345.001	1	1	1	Light Assembly, 220 - 240 Volt
1	4202577	1	1	1	Light Housing, 110 Volt
	4202150	1	1	1	Light Housing, 220 - 240 Volt
2	8800060	2	2	2	6-32 x 3/8 Pan Head Machine Screw
3	4033548	2	2	2	Fluorescent Lamp Holder
4	8345956	1	1	1	Lamp / Fluorescent
5	4202674	1	1	1	Light Deffuser
6	4202256	1	1	1	Edge Guard (2" required, priced by the foot)
7	4202754	1	1	1	Light Harness
8	4033505	3	3	3	Closed End Splice Cap
9	4202748	1	1	1	Ballast - 110 Volt
	4202831	1	1	1	Ballast - 220 - 240 Volt
10	4033671	2	2	2	Grommet, 3/8"
11	4202801	1	1	1	Shield Bead
12	4050585	2	2	2	#8 External Tooth Washer
13	4050420	2	2	2	8-18 x 1/4 Hex Washer Head Screw Type-B
14	4202514	1	1	1	Door Ground Harness, 220 - 240 Volt
15	4050202	2	2	2	8-18 x 1/4 Hex Washer Head Tek Screw, 220 - 240 Volt

POWER PANEL ASSEMBLY



A10756

ITEM	PART NUMBER	3 WIDE QTY	4 WIDE QTY	5 WIDE QTY	DESCRIPTION
	1211118	1	1	1	Power Panel Assembly
1	4202089	1	1	1	Power Panel
2	4034314	1	1	1	Coin Mech. Plug Pin
3	4200688	1	1	1	Coin Mech. Harness
4	4202092.001	1	1	1	Circuit Breaker 1.5 Amp
5	4202092.002	1	1	1	Circuit Breaker 3 Amp
6	4202092.003	1	1	1	Circuit Breaker 5 Amp
7	4202088	1	1	1	Switch - Rocker
8	4050420	1	1	1	8-18 x 1/4 Hex Washer Head Screw Type-B
9	1211008.002	1	1	1	Coin Insert Weldment
10	4021020	1	1	1	Spring
11	4201300	1	1	1	Coin Release Arm
12	8801077	1	1	1	1/4 E-Ring

